

C&K CN Series Double Pole Power Rocker Switches

Features/Benefits

- Illuminated versions available
- Multiple actuator and termination styles
- Robust design
- Custom version upon request
- RoHS compliant



Typical Applications

- Appliances
- Office equipment
- Computers and peripherals
- Off-road vehicles
- Industrial machines
- HVAC units
- Transportation



Specifications

CONTACT RATING:

UL/CSA: 16 AMPS @ 125 VAC, 1/8 HP;
10 AMPS @ 250 VAC, 1/3 HP.

ELECTRICAL LIFE: 10,000 make and break cycles at full load.

INSULATION RESISTANCE: $10^8 \Omega$ min.

DIELECTRIC STRENGTH: 1,500 VRMS @ sea level.

OPERATING TEMPERATURE: -20°C to +85°C

Materials

HOUSING AND ACTUATOR: 6/6 nylon (UL94V-2), black, matte finish.

ILLUMINATED ACTUATOR: Polycarbonate, matte finish.

CENTER CONTACTS: Silver plated, copper alloy.

END CONTACTS: Silver plated $AgSuO_2InO_3$.

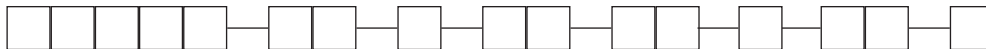
ALL TERMINALS: Silver plated, copper alloy.

NOTE: For the latest information regarding RoHS compliance, please go to: www.ittcannon.com/rohs.

NOTE: Specifications and materials listed above are for switches with standard options. For information on specific and custom switches, consult Customer Service Center.

Build-A-Switch

To order, simply select desired option from each category and place in the appropriate box. Available options are shown and described on pages H-99 through H-102. For additional options not shown in catalog, consult Customer Service Center.



Switch Function

- CN201** DPDT On-None-On
- CN202** DPST On-None-Off
- CN22 *** DPST On-None-Off

Actuator

- J1** Rocker
- J3** Illuminated rocker
- J6** Rocker
- J8** Illuminated rocker

Actuator Color

- 2** Black
- 1** White
- 3** Red
- R** Red, illuminated
- A** Amber, illuminated
- G** Green, illuminated

Mounting Style/Color

- S2** Snap-in, black
- S4** Snap-in, black
- S1** Snap-in, white
- S3** Snap-in, white

Termination

- 15** .187" quick connect
- 05** .250" quick connect
- 07** Solder lug

Actuator Marking

- (NONE)** No marking
- D** ON-OFF
- H** "O I" - international ON-OFF
- P** "O -" international ON-OFF

Contact Rating

- Q** Silver (UL/CSA)
- QA** Silver (UL/CSA with HP rating)

Lamp Rating

- (NONE)** No lamp
- 7** 125 VAC neon
- 8** 250 VAC neon

* CN22 - for switches with both marking and illumination

Rocker







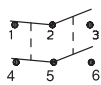


Dimensions are shown: Inch (mm)

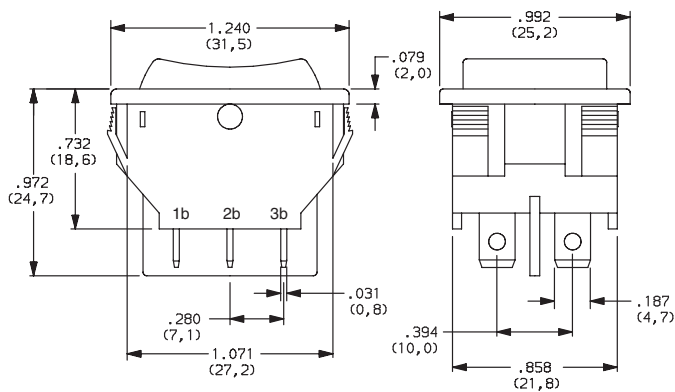
Specifications and dimensions subject to change

C&K CN Series Double Pole Power Rocker Switches

SWITCH FUNCTION

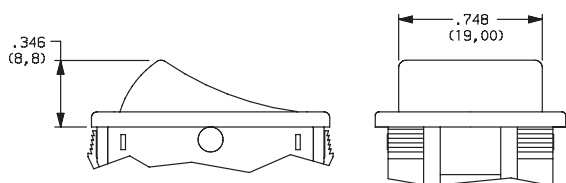
NO. POLES	MODEL NO.	SWITCH FUNCTION			CONNECTED TERMINALS			SCHEMATIC
								
DP	CN201	ON	NONE	ON	2-3	N/A	2-1	
	CN202	ON	NONE	OFF				
	CN22 *	ON	NONE	OFF				

* CN22 - for switches with both marking and illumination



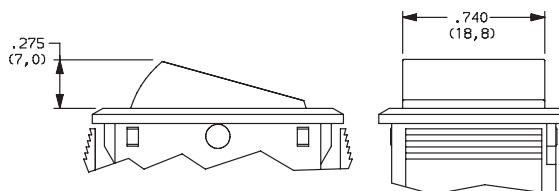
ACTUATOR

- J1** ROCKER
- J3** ILLUMINATED ROCKER

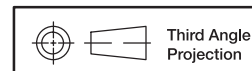


NOTE: J1 & J3 actuators available with Q contact rating only.
J3 actuator available with CN202 switch function only.

- J6** ROCKER
- J8** ILLUMINATED ROCKER



NOTE: J6 & J8 actuators available with QA contact rating only.
J6 actuator available with CN201 & CN202 switch functions,
J8 actuator available with CN202 switch function only.



Dimensions are shown: Inch (mm)
Specifications and dimensions subject to change



C&K CN Series Double Pole Power Rocker Switches

ACTUATOR COLOR



OPTION CODE	ACTUATOR COLOR
2	BLACK
1	WHITE
3	RED
R	RED, ILLUMINATED
A	AMBER, ILLUMINATED
G	GREEN, ILLUMINATED

MOUNTING STYLE/COLOR

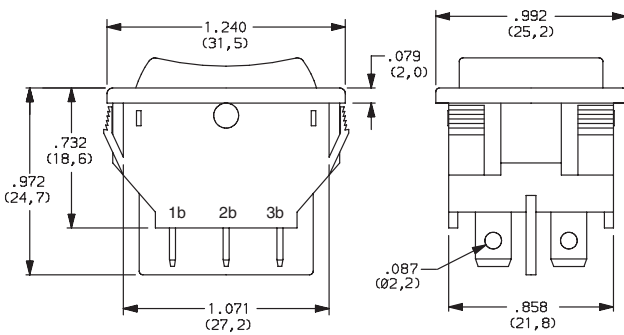


S2 SNAP-IN, BLACK

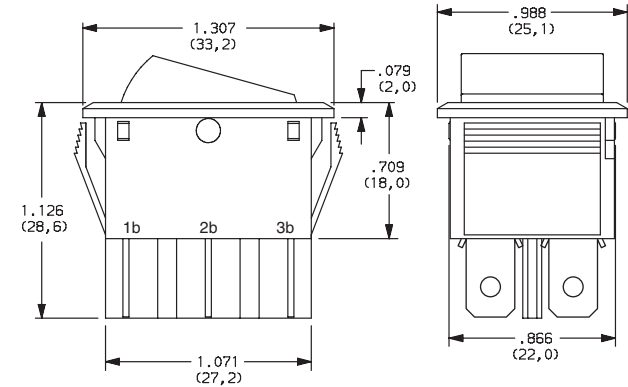
S1 SNAP-IN, WHITE

S4 SNAP-IN, BLACK

S3 SNAP-IN, WHITE

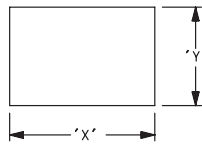


NOTE: Available with 15 termination and Q contact rating only.



NOTE: Available with 05 termination and QA contact rating only.

PANEL MOUNTING



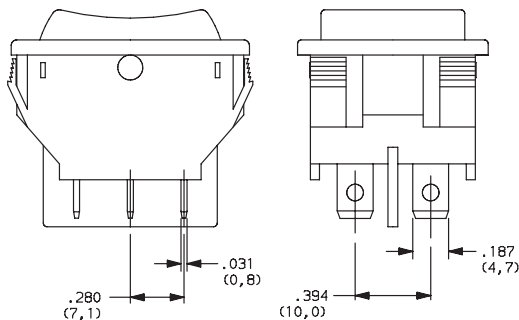
PANEL THICKNESS	"X"	"Y"
0.030-0.049 (0.75-1.25)	1.190-.004 (30,2-0,1)	0.874+.004 (22,2+0,1)
0.049-0.079 (1.25-2,0)	1.197-.004 (30,4-0,1)	0.874+.004 (22,2+0,1)
0.079-0.118 (2,0-3,0)	1.213-.004 (30,8-0,1)	0.874+.004 (22,2+0,1)

TERMINATION

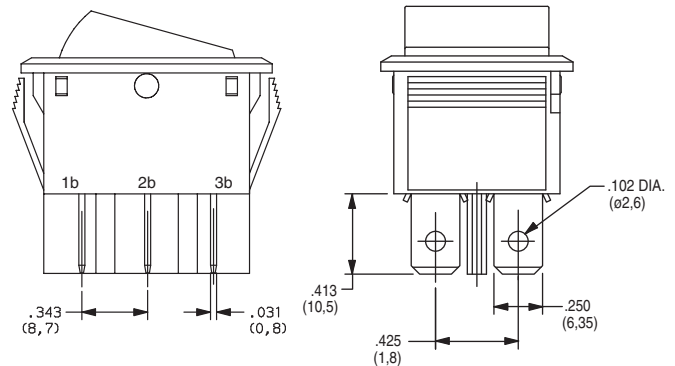


15 .187" QUICK CONNECT

05 .250" QUICK CONNECT



NOTE: Available with S1 & S1 mounting style and Q contact rating only.

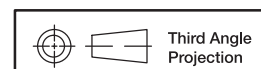


NOTE: Available with S3 & S4 mounting styles and QA contact rating, CN201 & CN202 switch functions only.

Rocker



H

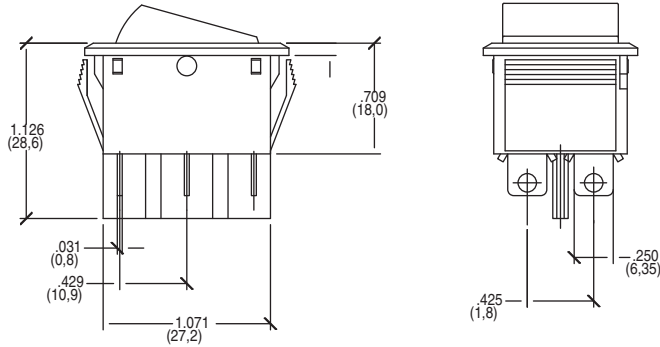


Dimensions are shown: Inch (mm)
Specifications and dimensions subject to change

C&K CN Series Double Pole Power Rocker Switches

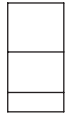
TERMINATION

07 SOLDER LUG

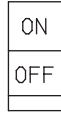


ACTUATOR MARKING

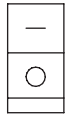
NONE NO MARKING



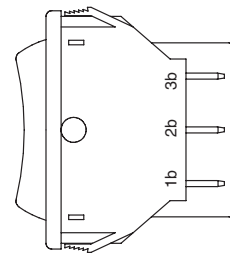
D ON-OFF



H O I



P O -



NOTE: Orientation of actuator marking and terminals.

CONTACT MATERIAL

OPTION CODE	RoHS COMPLIANT *	RoHS COMPATIBLE *	CONTACT AND TERMINAL MATERIAL	RATINGS	
				POWER	
Q	YES	YES	SILVER	POWER	16 AMPS @ 125 VAC; 10 AMPS @ 250 VAC (UL/CSA)
QA*	YES	YES			16 AMPS @ 125 VAC, 1/8 HP @ 125 VAC; 10 AMPS @ 250 VAC, 1/3 HP @ 250 VAC (UL/CSA)

* Not available with CN203, CN205 & CN207 switch functions.

* Note: See Technical Data section of this catalog for RoHS compliant and compatible definitions and specifications.

LAMP RATING

(NONE) NO LAMP

7 125 VAC 33kΩ NEON

8 250 VAC 150kΩ NEON

NOTE: Lamp rating for J3 & J8 actuator options.



Dimensions are shown: Inch (mm)
Specifications and dimensions subject to change

