

## BZM5221B SERIES

### SURFACE MOUNT ZENER DIODES

**VOLTAGE** 2.4 to 75 Volts    **POWER** 500 mWatts

**MICRO-MELF**    Unit : inch (mm)

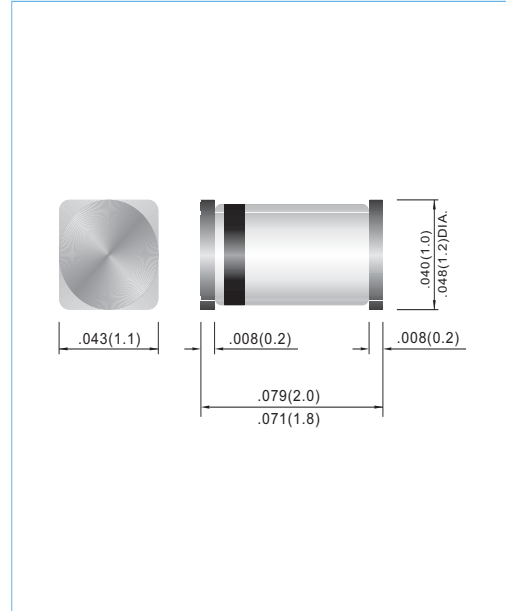
#### FEATURES

- Planar Die construction
- 500mW Power Dissipation
- Ideally Suited for Automated Assembly Processes

#### MECHANICAL DATA

- Case: Molded Glass MICRO-MELF
- Terminals: Solderable per MIL-STD-750, Method 2026
- Polarity: See Diagram Below
- Approx. Weight: 0.008 grams
- Mounting Position: Any
- Packing information

T/R - 2.5K per 7" plastic Reel



### MAXIMUM RATINGS AND ELECTRICAL CHARACTERISTICS

Parameter	Symbol	Value	Units
Power Dissipation at Tamb = 25 °C	P <sub>TOT</sub>	500	mW
Junction Temperature	T <sub>J</sub>	175	°C
Storage Temperature Range	T <sub>S</sub>	-65 to +175	°C

Valid provided that leads at a distance of 8mm from case are kept at ambient temperature.

Parameter	Symbol	Min.	Typ.	Max.	Units
Thermal Resistance Junction to Ambient Air	R <sub>BJA</sub>	--	--	0.3	K/mW
Forward Voltage at I <sub>F</sub> = 200mA	V <sub>F</sub>	--	--	1	V

Valid provided that leads at a distance of 8mm from case are kept at ambient temperature.

## BZM5221B SERIES

Part Number	Nominal Zener Voltage			Max. Zener Impedance				Max Reverse Leakage Current	
	V <sub>Z</sub> @ I <sub>ZT</sub>			Z <sub>ZT</sub> @ I <sub>ZT</sub>		Z <sub>ZK</sub> @ I <sub>ZK</sub>		I <sub>R</sub> @ V <sub>R</sub>	
	Nom. V	Min. V	Max. V	Ω	mA	Ω	mA	uA	V
BZM5221B	2.4	2.28	2.52	30	20	1200	0.25	100	1
BZM5222B	2.5	2.38	2.63	30	20	1250	0.25	100	1
BZM5223B	2.7	2.57	2.84	30	20	1300	0.25	75	1
BZM5224B	2.8	2.66	2.94	30	20	1400	0.25	75	1
BZM5225B	3.0	2.85	3.15	29	20	1600	0.25	50	1
BZM5226B	3.3	3.14	3.47	28	20	1600	0.25	25	1
BZM5227B	3.6	3.42	3.78	24	20	1700	0.25	15	1
BZM5228B	3.9	3.71	4.1	23	20	1900	0.25	10	1
BZM5229B	4.3	4.09	4.52	22	20	2000	0.25	5	1
BZM5230B	4.7	4.47	4.94	19	20	1900	0.25	5	2
BZM5231B	5.1	4.85	5.36	17	20	1600	0.25	5	2
BZM5232B	5.6	5.32	5.88	11	20	1600	0.25	5	3
BZM5233B	6.0	5.7	6.3	7	20	1600	0.25	5	3.5
BZM5234B	6.2	5.89	6.51	7	20	1000	0.25	5	4
BZM5235B	6.8	6.46	7.14	5	20	750	0.25	3	5
BZM5236B	7.5	7.13	7.88	6	20	500	0.25	3	6
BZM5237B	8.2	7.79	8.61	8	20	500	0.25	3	6.5
BZM5238B	8.7	8.27	9.14	8	20	600	0.25	3	6.5
BZM5239B	9.1	8.65	9.56	10	20	600	0.25	3	7
BZM5240B	10	9.5	10.5	17	20	600	0.25	3	8

Notes.

STANDARD VOLTAGE TOLERANCE IS  $\pm 5\%$  AND :

SUFFIX " A " FOR  $\pm 3\%$

SUFFIX " B " FOR  $\pm 5\%$

SUFFIX " C " FOR  $\pm 10\%$

SUFFIX " D " FOR  $\pm 20\%$

## BZM5221B SERIES

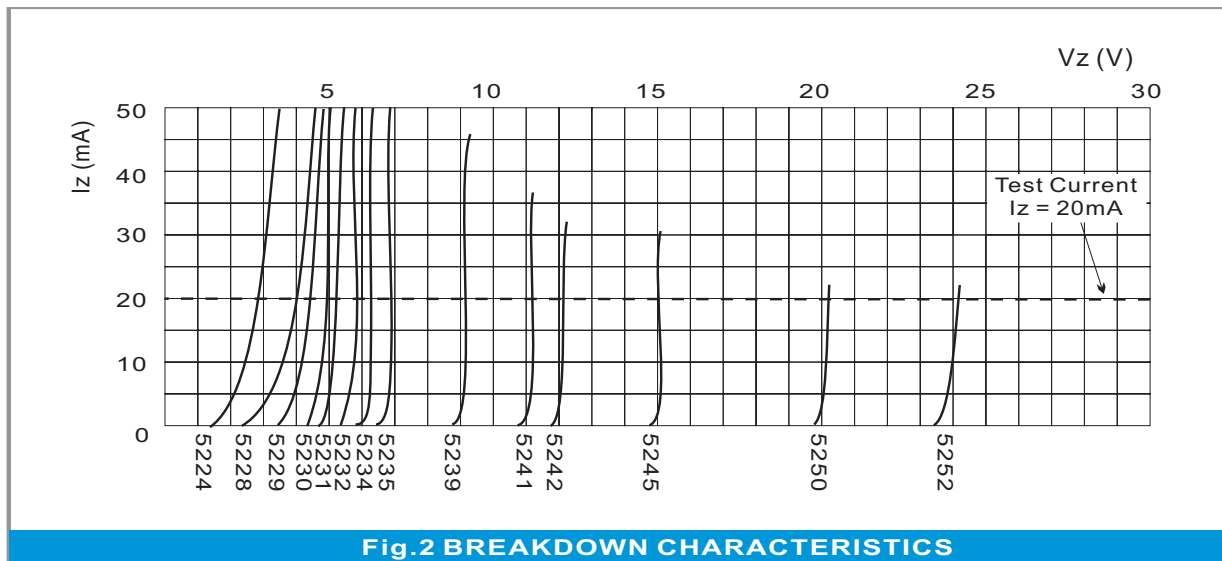
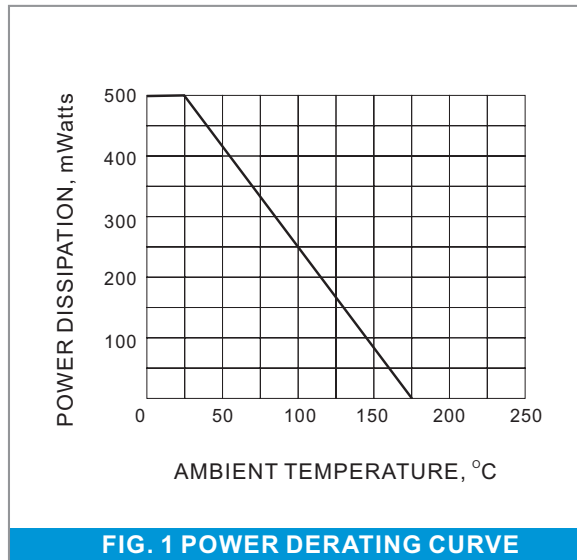
Part Number	Nominal Zener Voltage			Max. Zener Impedance				Max Reverse Leakage Current	
	V <sub>Z</sub> @ I <sub>ZT</sub>			Z <sub>ZT</sub> @ I <sub>ZT</sub>		Z <sub>ZK</sub> @ I <sub>ZK</sub>		I <sub>R</sub> @ V <sub>R</sub>	
	Nom. V	Min. V	Max. V	Ω	mA	Ω	mA	uA	V
BZM5241B	11	10.45	11.55	22	20	600	0.25	2	8.4
BZM5242B	12	11.4	12.6	30	20	600	0.25	1	9.1
BZM5243B	13	12.35	13.65	13	9.5	600	0.25	0.5	9.9
BZM5244B	14	13.3	14.7	15	9	600	0.25	0.1	10
BZM5245B	15	14.25	15.75	16	8.5	600	0.25	0.1	11
BZM5246B	16	15.2	16.8	17	7.8	600	0.25	0.1	12
BZM5247B	17	16.15	17.85	19	7.4	600	0.25	0.1	13
BZM5248B	18	17.1	18.9	21	7	600	0.25	0.1	14
BZM5249B	19	18.05	19.95	23	6.6	600	0.25	0.1	14
BZM5250B	20	19	21	25	6.2	600	0.25	0.1	15
BZM5251B	22	20.9	23.1	29	5.6	600	0.25	0.1	17
BZM5252B	24	22.8	25.2	33	5.2	600	0.25	0.1	18
BZM5253B	25	23.75	26.25	35	5	600	0.25	0.1	19
BZM5254B	27	25.65	28.35	41	4.6	600	0.25	0.1	21
BZM5255B	28	26.6	29.4	44	4.5	600	0.25	0.1	21
BZM5256B	30	28.5	31.5	49	4.2	600	0.25	0.1	23
BZM5257B	33	31.35	34.65	58	3.8	700	0.25	0.1	25
BZM5258B	36	34.2	37.8	70	3.4	700	0.25	0.1	27
BZM5259B	39	37.05	40.95	80	3.2	800	0.25	0.1	30
BZM5260B	43	40.85	45.15	93	3	900	0.25	0.1	33
BZM5261B	47	44.65	49.35	150	2.7	1000	0.25	0.1	36
BZM5262B	51	48.45	53.55	125	2.5	1100	0.25	0.1	39
BZM5263B	56	53.2	58.8	150	2.2	1300	0.25	0.1	43
BZM5264B	60	57	63	170	2.1	1400	0.25	0.1	46
BZM5265B	62	58.9	65.1	185	2	1400	0.25	0.1	47
BZM5266B	68	64.6	71.4	230	1.8	1600	0.25	0.1	52
BZM5267B	75	71.25	78.75	270	1.7	1700	0.25	0.1	56

Notes.

STANDARD VOLTAGE TOLERANCE IS ± 5% AND :  
 SUFFIX " A " FOR ± 3%  
 SUFFIX " B " FOR ± 5%  
 SUFFIX " C " FOR ± 10%  
 SUFFIX " D " FOR ± 20%

## BZM5221B SERIES

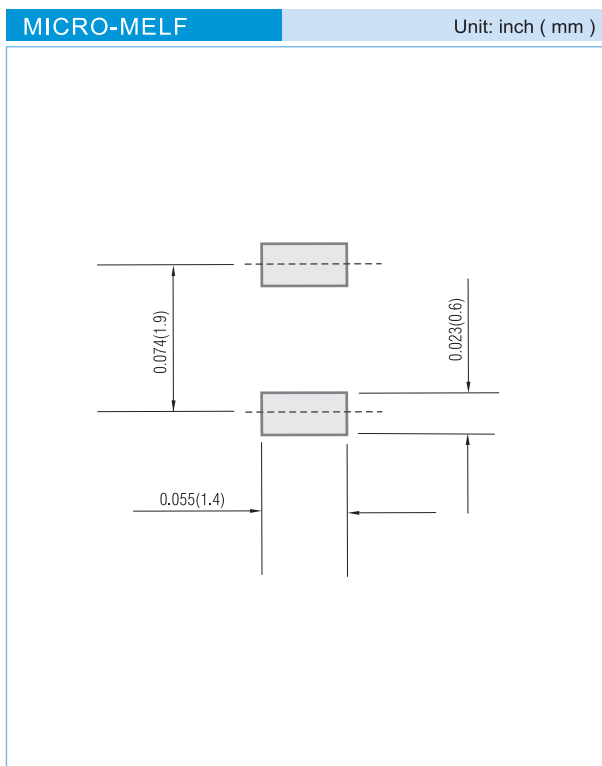
### RATING AND CHARACTERISTIC CURVES





## BZM5221B SERIES

### MOUNTING PAD LAYOUT



### ORDER INFORMATION

- Packing information

T/R - 10K per 13" plastic Reel

T/R - 2.5K per 7" plastic Reel

### LEGAL STATEMENT

#### Copyright PanJit International, Inc 2008

The information presented in this document is believed to be accurate and reliable. The specifications and information herein are subject to change without notice. Pan Jit makes no warranty, representation or guarantee regarding the suitability of its products for any particular purpose. Pan Jit products are not authorized for use in life support devices or systems. Pan Jit does not convey any license under its patent rights or rights of others.