

PLEASE CHECK WWW.MOLEX.COM FOR LATEST PART INFORMATION

Part Number: [0025021052](#)
Status: **Active**
Description: 2.54mm (.100") Pitch C-Grid® Header, Dual Row, Shrouded, with PC Slot and Guide Ear, 52 Circuits, 0.76µm (30µ") Gold (Au) Selective Plating

Documents:

3D Model	Product Specification PS-70204 (PDF)
Packaging Specification (PDF)	RoHS Certificate of Compliance (PDF)
Drawing (PDF)	

Agency Certification

CSA	LR19980
UL	E29179

General

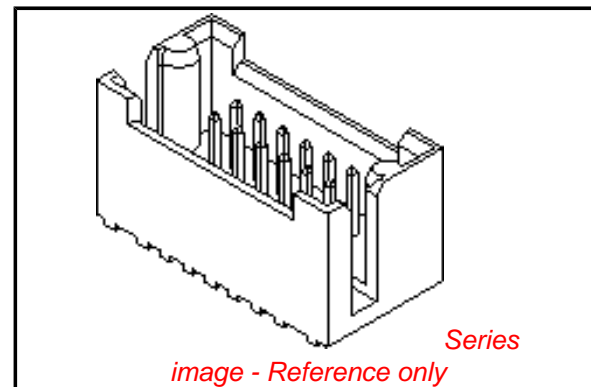
Product Family	PCB Headers
Series	70204
Application	Board-to-Board
Product Name	C-Grid®

Physical

Breakaway	No
Circuits (Loaded)	52
Circuits (maximum)	52
Color - Resin	Black
Durability (mating cycles max)	50
Flammability	94V-0
Glow-Wire Compliant	No
Guide to Mating Part	Yes
Lock to Mating Part	None
Material - Metal	Brass, Phosphor Bronze
Material - Plating Mating	Gold
Material - Plating Termination	Tin
Material - Resin	Nylon
Number of Rows	2
Orientation	Vertical
PC Tail Length (in)	0.110 In
PC Tail Length (mm)	2.79 mm
PCB Locator	No
PCB Retention	None
Packaging Type	Tray
Pitch - Mating Interface (in)	0.100 In
Pitch - Mating Interface (mm)	2.54 mm
Plating min: Mating (µin)	30
Plating min: Mating (µm)	0.75
Plating min: Termination (µin)	75
Plating min: Termination (µm)	1.91
Polarized to Mating Part	Yes
Polarized to PCB	No
Shrouded	Fully
Stackable	No
Temperature Range - Operating	-40°C to +105°C
Termination Interface: Style	Through Hole

Electrical

Current - Maximum per Contact	3A
-------------------------------	----



EU RoHS

ELV and RoHS Compliant
REACH SVHC Contains SVHC: No
Halogen-Free Status

China RoHS



Not Reviewed

Need more information on product environmental compliance?

Email productcompliance@molex.com
 For a multiple part number RoHS Certificate of Compliance, [click here](#)

Please visit the [Contact Us](#) section for any non-product compliance questions.

Search Parts in this Series

[70204Series](#)

Mates With

[71973](#)

Voltage - Maximum 250V

Solder Process Data

Duration at Max. Process Temperature (seconds) 5
Lead-free Process Capability Wave Capable (TH only)
Max. Cycles at Max. Process Temperature 1
Process Temperature max. C 245

Material Info

Old Part Number 70204-0345

Reference - Drawing Numbers

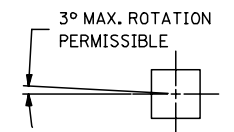
Product Specification PS-70204
Sales Drawing SDA-70204-0321-0384

This document was generated on 03/31/2010

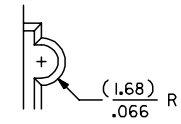
PLEASE CHECK WWW.MOLEX.COM FOR LATEST PART INFORMATION

CKT. SIZE	PART NUMBER	ENG. NUMBER SDA-70204-	DIM. "A"		DIM. "B"		DIM. "C"	
			MM	IN.	MM	IN.	MM	IN.
08	25-02-1008	0323	7,62	.300	17,78	.700	20,32	.800
10	25-02-1010	0324	10,16	.400	20,32	.800	22,86	.900
12	25-02-1012	0325	12,70	.500	22,86	.900	25,40	1.000
14	25-02-1014	0326	15,24	.600	25,40	1.000	32,51	1.100
16	25-02-1016	0327	17,78	.700	27,94	1.100	30,48	1.200
18	25-02-1018	0328	20,32	.800	30,48	1.200	33,02	1.300
20	25-02-1020	0329	22,86	.900	33,02	1.300	35,56	1.400
22	25-02-1022	0330	25,40	1.000	35,56	1.400	38,10	1.500
24	25-02-1024	0331	27,94	1.100	38,10	1.500	40,64	1.600
26	25-02-1026	0332	30,48	1.200	40,64	1.600	43,10	1.700
28	25-02-1028	0333	33,02	1.300	43,10	1.700	45,72	1.800
30	25-02-1030	0334	35,56	1.400	45,72	1.800	48,26	1.900
32	25-02-1032	0335	38,10	1.500	48,26	1.900	50,80	2.000
34	25-02-1034	0336	40,64	1.600	50,80	2.000	53,34	2.100
36	25-02-1036	0337	43,10	1.700	53,34	2.100	55,88	2.200
38	25-02-1038	0338	45,72	1.800	55,88	2.200	58,42	2.300
40	25-02-1040	0339	48,26	1.900	58,42	2.300	60,96	2.400

CKT. SIZE	PART NUMBER	ENG. NUMBER SDA-70204-	DIM. "A"		DIM. "B"		DIM. "C"	
			MM	IN.	MM	IN.	MM	IN.
42	25-02-1042	0340	50,80	2.000	60,96	2.400	63,50	2.500
44	25-02-1044	0341	53,34	2.100	63,50	2.500	66,04	2.600
46	25-02-1046	0342	55,88	2.200	66,04	2.600	68,58	2.700
48	25-02-1048	0343	58,42	2.300	68,58	2.700	71,12	2.800
50	25-02-1050	0344	60,96	2.400	71,12	2.800	73,66	2.900
52	25-02-1052	0345	63,50	2.500	73,66	2.900	76,20	3.000
54	25-02-1054	0346	66,04	2.600	76,20	3.000	78,74	3.100
56	25-02-1056	0347	68,58	2.700	78,74	3.100	81,28	3.200
58	25-02-1058	0348	71,12	2.800	81,28	3.200	83,82	3.300
60	25-02-1060	0349	73,66	2.900	83,82	3.300	86,36	3.400
62	25-02-1062	0350	76,20	3.000	86,36	3.400	88,90	3.500
64	25-02-1064	0351	78,74	3.100	88,90	3.500	91,44	3.600
66	25-02-1066	0352	81,28	3.200	91,44	3.600	93,98	3.700
68	25-02-1068	0353	83,82	3.300	93,98	3.700	96,52	3.800
70	25-02-1070	0354	86,36	3.400	96,52	3.800	99,06	3.900
72	25-02-1072	0355	88,90	3.500	99,06	3.900	101,60	4.000



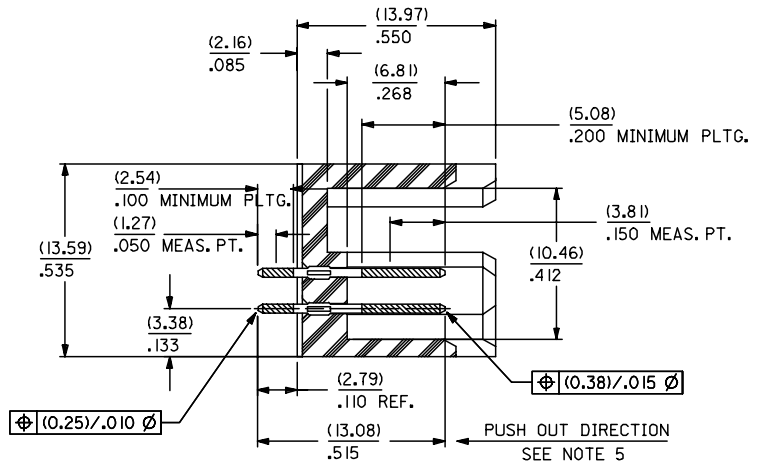
DETAIL "V"
SCALE = 20:1



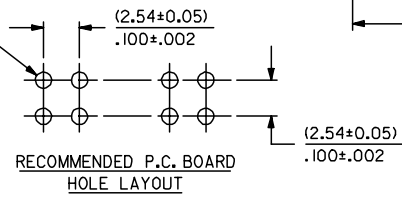
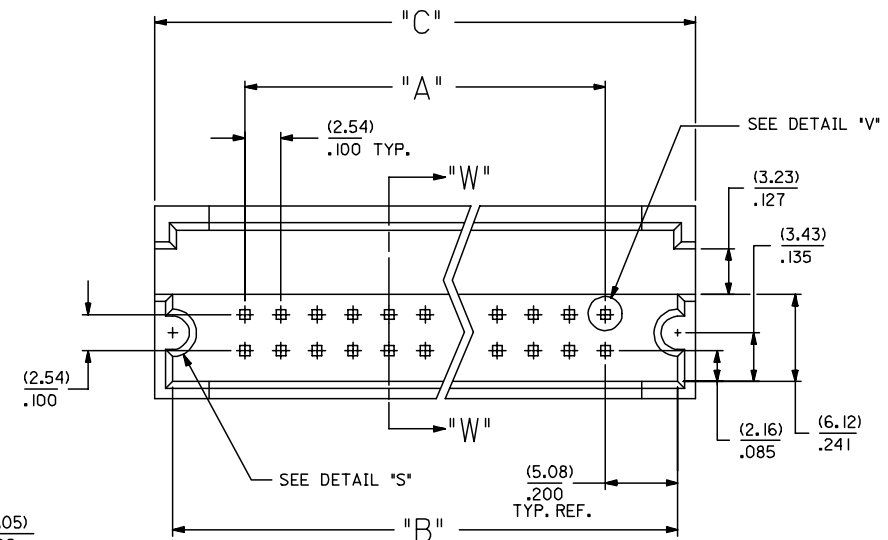
DETAIL "S"

J
I
H
G
F
E
D
C
B
A

J
I
H
G
F
E
D
C
B
A



SECTION W-W



RECOMMENDED P.C. BOARD HOLE LAYOUT

NOTES:

- 1) WAFER MATERIAL: GLASS FILLED NYLON COLOR, BLACK.
- 2) PIN MATERIAL: PHOSPHOR BRONZE ALLOY
- 3) PIN PLATING:
TIP: .000030 MINIMUM GOLD IN SELECTED AREA
TAIL: .000075 MINIMUM TIN IN SELECTED AREA
OVER .000050 NICKEL OVER-ALL.
- *THE PRIMARY SHIPPING CARTON WILL BE LABELED 'COMPLIANT TO RoHS DIRECTIVE 2002/95/EC AND ELV ANNEX II OF DIRECTIVE 2000/53/EC'. CARTONS WITHOUT THIS LABEL MAY CONTAIN PRODUCT WITH LEAD.
- 4) PINS MUST MEET SOLDERABILITY SPEC. NO. 152.
- 5) PIN PUSH-OUT FORCE (1.81 KG.)/4 LBS MINIMUM
- 6) REFER TO P.S. NO. 70204.
- 7) STANDARD PACKAGING PER: PK-70873-0070.

REMOVE 0356-0384 FC NO: UCP2007-0113 DRAWN: JORGAN 2006/08/07 CHKD: MS BARRA 2006/08/16 APPR: SMILLER 2006/08/18	QUALITY SYMBOLS ▽=0 ▽=0	GENERAL TOLERANCES (UNLESS SPECIFIED)	DIMENSION STYLE MM/IN	SCALE 4:1	DESIGN UNITS INCH	THIRD ANGLE PROJECTION
		4 PLACES ± .25 ± .010 3 PLACES ± .25 ± .010 2 PLACES ± .25 ± .010 1 PLACE ± .25 ± .010	DRAWN BY JAS	DATE 1986/05/20	TITLE SHROUDED HEADER DUAL ROW W/PCB SLOTS & GUIDE EARS .100 GRID .025 SQ PIN	
		ANGULAR ±1/2°	APPROVED BY WAZ	DATE 1986/05/20	MATERIAL NO.	DOCUMENT NO. SDA-70204-0321-0384
		DRAFT WHERE APPLICABLE MUST REMAIN WITHIN DIMENSIONS	SIZE C	SEE TABLE	SHEET NO. 1 OF 1	