

4

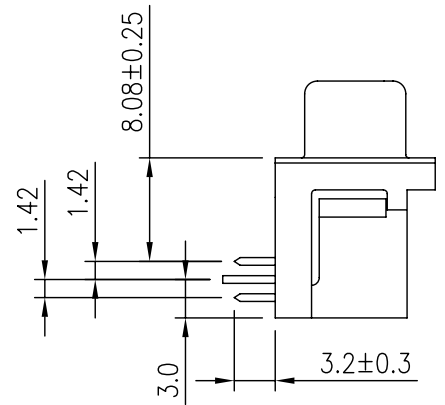
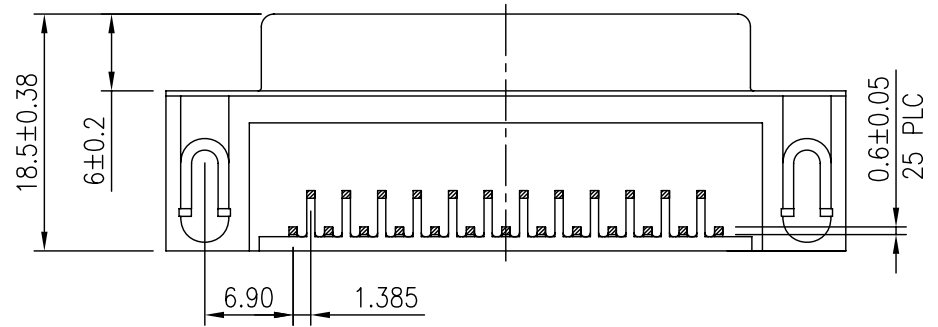
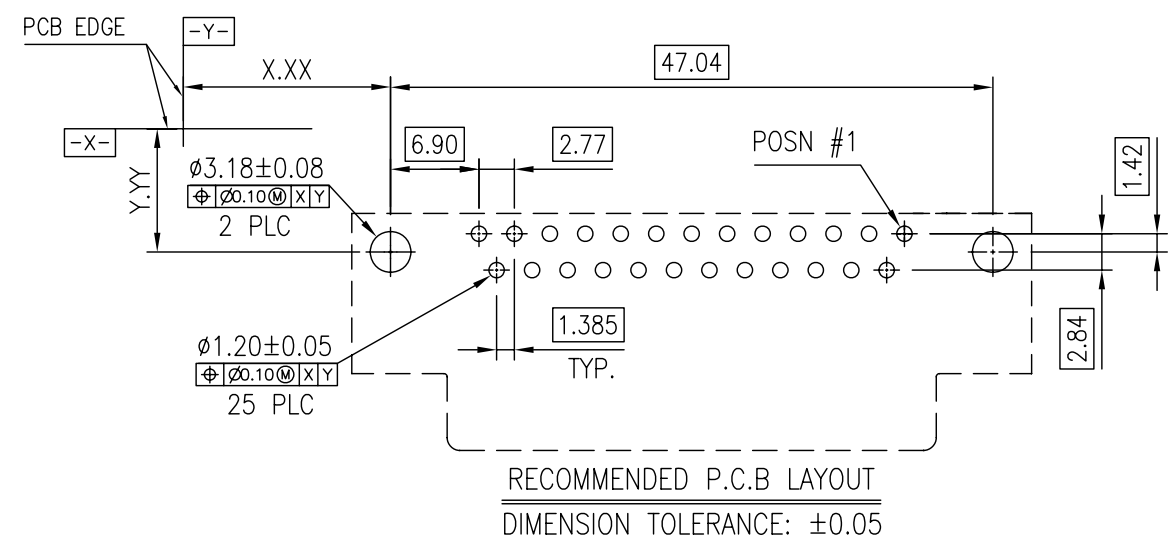
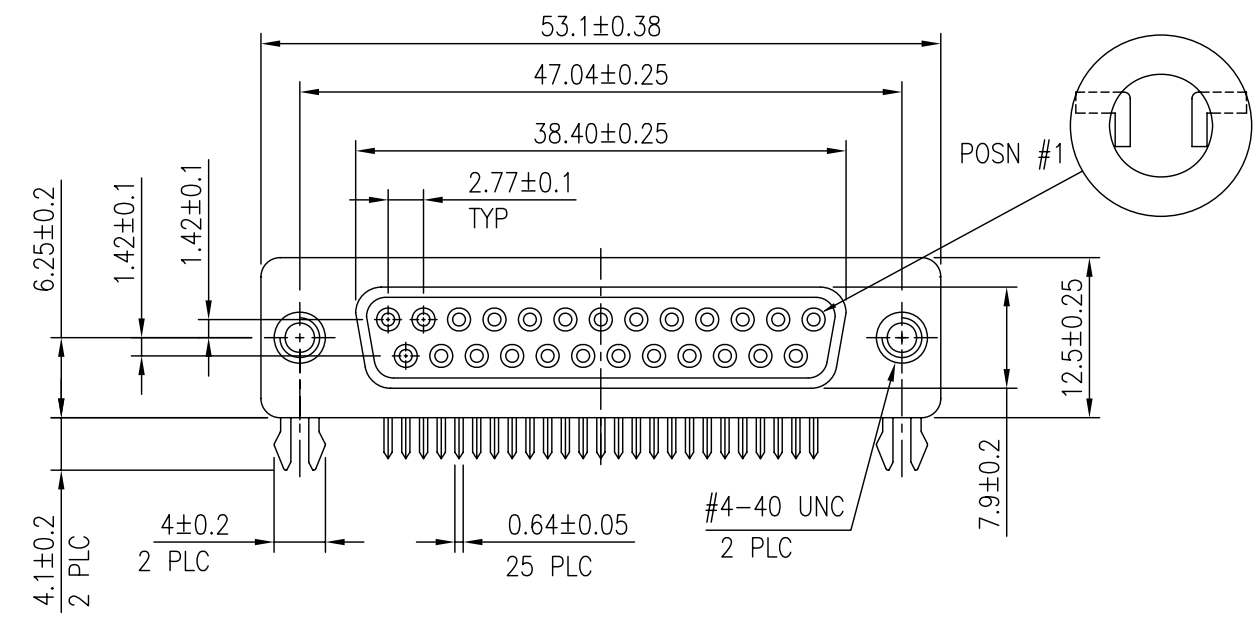
3

2

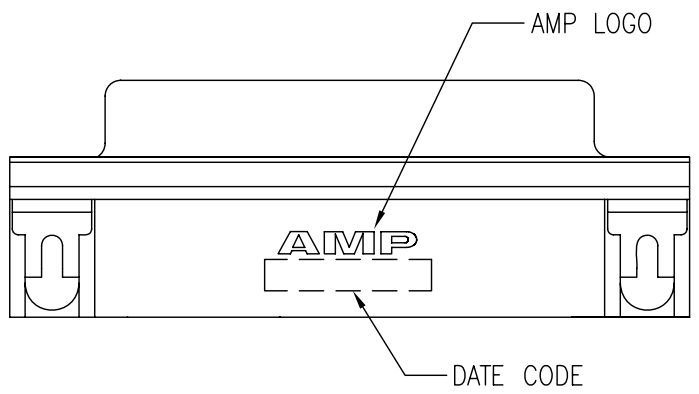
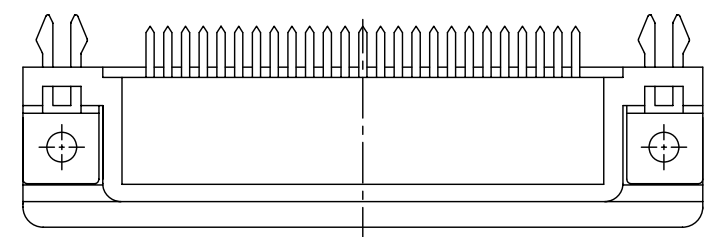
1

THIS DRAWING IS UNPUBLISHED. RELEASED FOR PUBLICATION
 © COPYRIGHT BY TYCO ELECTRONICS CORPORATION. ALL RIGHTS RESERVED.

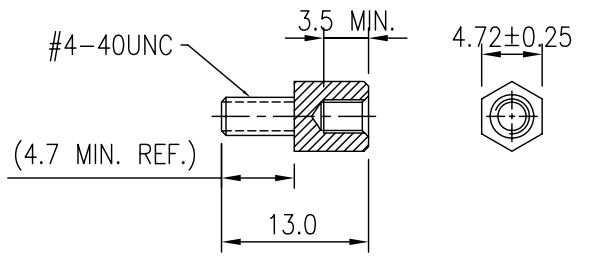
LOC	DIST	REVISIONS			
P	LTR	DESCRIPTION	DATE	DWN	APVD
DW		REVISED (ECR-08-024310)	06NOV08	B.W	S.C



- NOTES:
- MATERIAL:
 - HOUSING: PBT OR NY9T, UL 94V-0 RATED, COLOR: SEE TABLE
 - CONTACTS: PHOSPHOR BRONZE
 - SHELL: SPCC
 - BOARDLOCKS: BRASS
 - RIVET: BRASS
 - FINISH:
 - CONTACT:
 - GOLD PLATING ON CONTACT AREA. (SEE TABLE)
 - 100u" MIN. MATTE TIN PLATING ON SOLDER TAIL AREA, 50u" MIN. NICKEL UNDERPLATED OVERALL,
 - BOARDLOCK:
 - 100u" MIN MATTE TIN PLATING
 - 50u" MIN NICKEL UNDERPLATED OVERALL,
 - SHELL: NICKEL PLATING OVERALL
 - RIVET: NICKEL PLATING OVERALL
 - RECOMMENDED PCB THICKNESS: 1.6 mm
 - WAVE SOLDER CAPABLE TO 265°C, PER TE SPEC. 109-202, CONDITION B.
 - THREADED INSERTS MUST WITHSTAND 6 IN-LBS TORQUE.



OBSOLETE	COLOR	HSG MATERIAL	COLD FINISH	PART NO.	
OBSOLETE	BURGUNDY 235C	NY9T	15u"	2- -6	
		PBT	G/F	2- -5	
	BLACK	NY9T	15u"	2- -1	
		PBT	G/F	2- -0	
				15u"	1- -2
				G/F	1- -1
				15u"	1- -2
				G/F	1734350-1



THIS PRODUCT EQUIPPED WITH NO SCREW
 RECOMMENDED OUTSOURCING SCREW TYPE

THIS DRAWING IS A CONTROLLED DOCUMENT.		DWN J. LEE 09MAR2007	Tyco Electronics Corporation Taipei, Taiwan	
DIMENSIONS: MM		CHK S. HOU 09MAR2007	NAME	
TOLERANCES UNLESS OTHERWISE SPECIFIED:		APVD W.J. KE 09MAR2007	AMPLIMITE 8.08mm[0.318in] SERIES, R/A, RCPT, 25 POS	
0 PLC ± -		PRODUCT SPEC	SIZE	CAGE CODE
1 PLC ± 0.38		108-57541	DRAWING NO	RESTRICTED TO
2 PLC ± 0.25		QUALIFICATION TEST REPORT	A300779	C=1734350
3 PLC ± 0.15		501-57623	WEIGHT	7.0 GRAMS
4 PLC ± -		CUSTOMER DRAWING	SCALE	SHEET 1 of 2
ANGLES ± -			REV	A
MATERIAL SEE NOTE				
FINISH SEE NOTE				

4

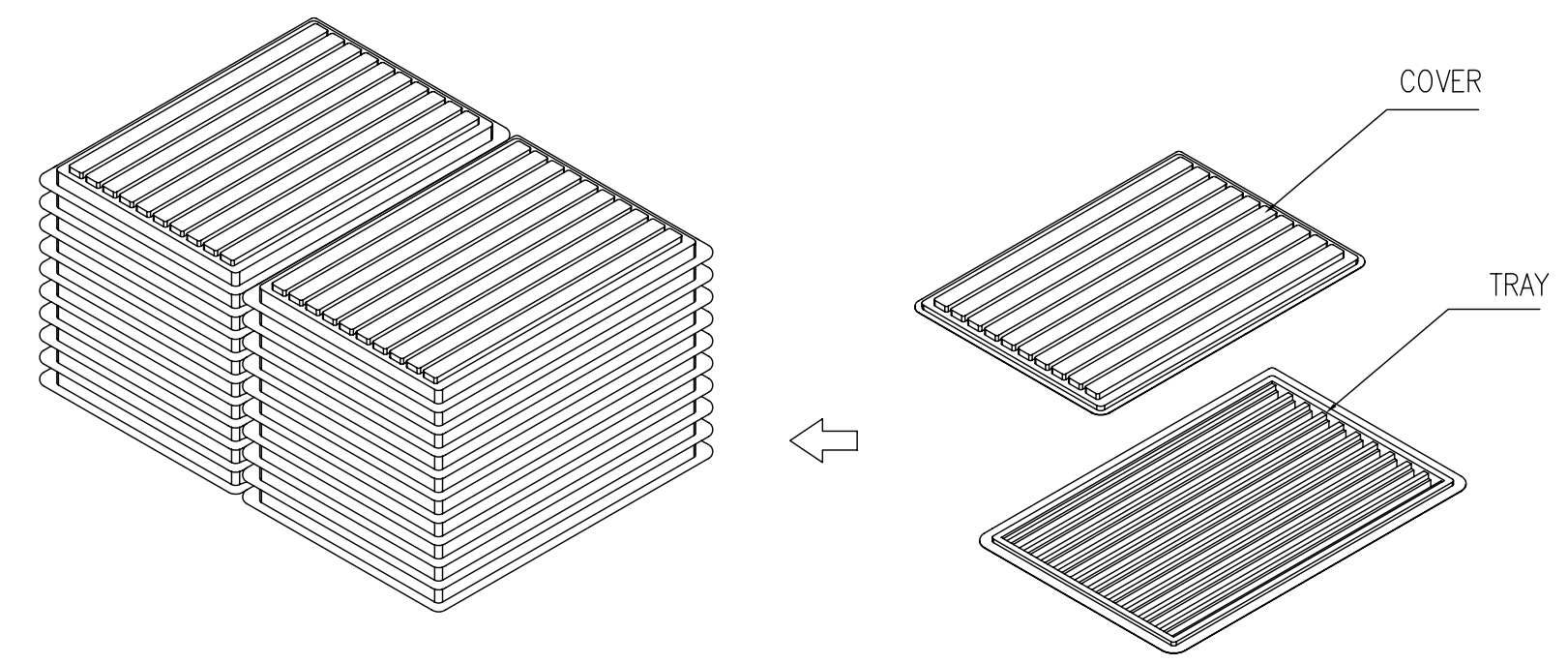
3

2

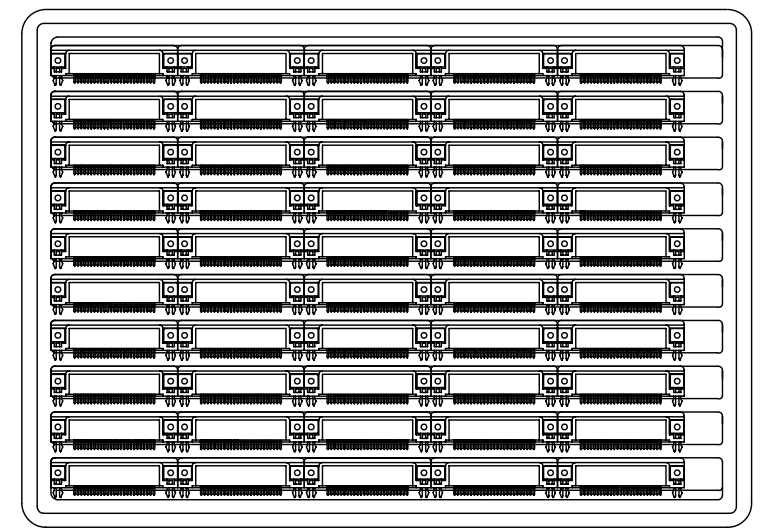
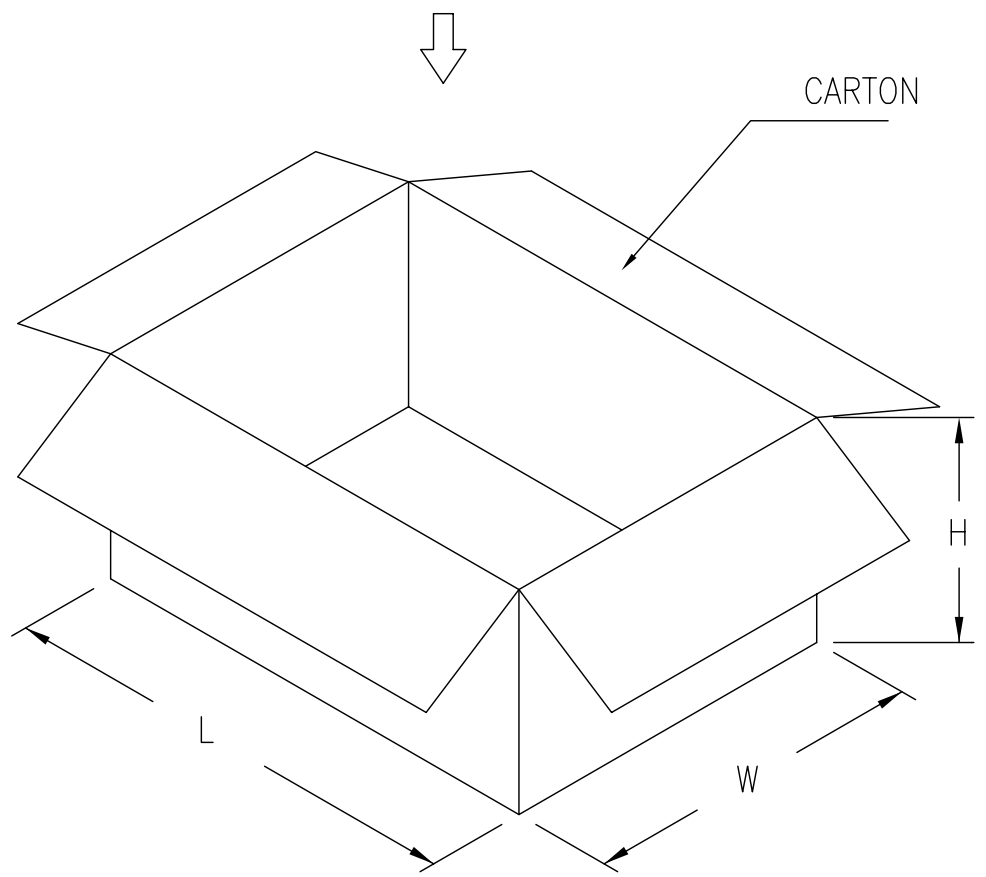
1

THIS DRAWING IS UNPUBLISHED. RELEASED FOR PUBLICATION
 © COPYRIGHT BY TYCO ELECTRONICS CORPORATION. ALL RIGHTS RESERVED.

LOC	DIST	REVISIONS			
P	LTR	DESCRIPTION	DATE	DWN	APVD
		SEE SHEET 1.			



- NOTES:
- MATERIAL:
 - TRAY: PVC
 - SHIPPING CARTON: CORRUGATED FIBERBOARD
 - DIMENSION:
 - TRAY: L=306, W=217, H=15
 - SHIPPING CARTON: L=440, W=321, H=210
 - QUANTITY:
 - PRIMARY PACKING: 50 PCS/TRAY
 - THIRD PACKING: 20 TRAY/CARTON(1,000PCS)
 - WEIGHT:
 - NET WEIGHT: 7.0 Kg
 - GROSS WEIGHT: 8.0 Kg



THIS DRAWING IS A CONTROLLED DOCUMENT.		DWN	Tyco Electronics Corporation		
		CHK	Taipei, Taiwan		
		APVD	NAME		
DIMENSIONS: MM		PRODUCT SPEC	AMPLIMITE 8.08mm[0.318in] SERIES, R/A, RCPT, 25 POS		
TOLERANCES UNLESS OTHERWISE SPECIFIED:		APPLICATION SPEC	SIZE	CAGE CODE	DRAWING NO
0 PLC ± -		WEIGHT	A3	00779	C=1734350
1 PLC ± -		CUSTOMER DRAWING	RESTRICTED TO		
2 PLC ± -		SCALE	SHEET 2 of 2		
3 PLC ± -		SHEET	REV A		
4 PLC ± -		REV			
ANGLES ± -					
MATERIAL					
FINISH					