

PLEASE CHECK WWW.MOLEX.COM FOR LATEST PART INFORMATION

Part Number: [0743201304](#)
Status: **Active**
Description: MicroCross™ DVI-I Digital/Analog Visual Interface, PCB Receptacle, Through Hole, Right Angle, with Shielding, with Beveled Metal Pins, Gold(Au) Flash Plating, 2.34mm (.092") P.C. Tail Length, 24 Circuits, Lead Free

Documents:

[Drawing \(PDF\)](#) [RoHS Certificate of Compliance \(PDF\)](#)

General

Product Family	I/O Connectors
Series	74320
Application	Wire-to-Board
Comments	DDWG (Digital Display Working Group) Standard
Component Type	Receptacle
Product Name	MicroCross™DVI
Type	N/A

Physical

Boot Color	N/A
Circuits (Loaded)	24
Circuits (maximum)	24
Color - Resin	White
Durability (mating cycles max)	100
Gender	Receptacle
Keying to Mating Part	Yes
Lock to Mating Part	Yes
Material - Metal	Copper Alloy
Material - Plating Mating	Gold
Material - Plating Termination	Tin
Number of Rows	3
Orientation	Right Angle
PC Tail Length (in)	0.092 In
PC Tail Length (mm)	2.34 mm
PCB Locator	Yes
PCB Retention	Yes
Packaging Type	Tray
Panel Mount	Yes
Pitch - Mating Interface (in)	0.075 In
Pitch - Mating Interface (mm)	1.91 mm
Pitch - Term. Interface (in)	0.075 In
Pitch - Term. Interface (mm)	1.91 mm
Plating min: Mating (µin)	2
Plating min: Mating (µm)	0.05
Plating min: Termination (µin)	100
Plating min: Termination (µm)	2.50
Polarized to Mating Part	Yes
Polarized to PCB	Yes
Ports	1
Surface Mount Compatible (SMC)	No
Temperature Range - Operating	-20°C to +85°C
Termination Interface: Style	Through Hole
Waterproof / Dustproof	No
Wire Size AWG	N/A

Electrical

EU RoHS

**ELV and RoHS
Compliant**
REACH SVHC
 Not Reviewed
**Halogen-Free
Status**
Not Reviewed

China RoHS



**Need more information on product
environmental compliance?**

Email productcompliance@molex.com
 For a multiple part number RoHS Certificate of Compliance, [click here](#)

Please visit the [Contact Us](#) section for any non-product compliance questions.

Search Parts in this Series

[74320Series](#)

Mates With

[88744](#) , [74323](#)

Current - Maximum per Contact	3A
Grounding to Panel	Yes
Shield Type	Full Shield
Shielded	Yes
Voltage - Maximum	40V AC (RMS)

Material Info

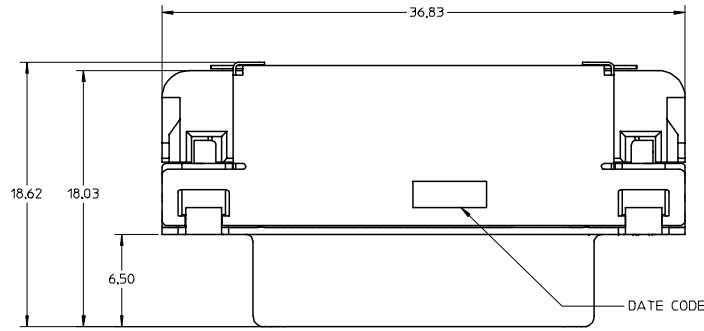
Reference - Drawing Numbers

Packaging Specification	PK-74320-010
Sales Drawing	SD-74320-050

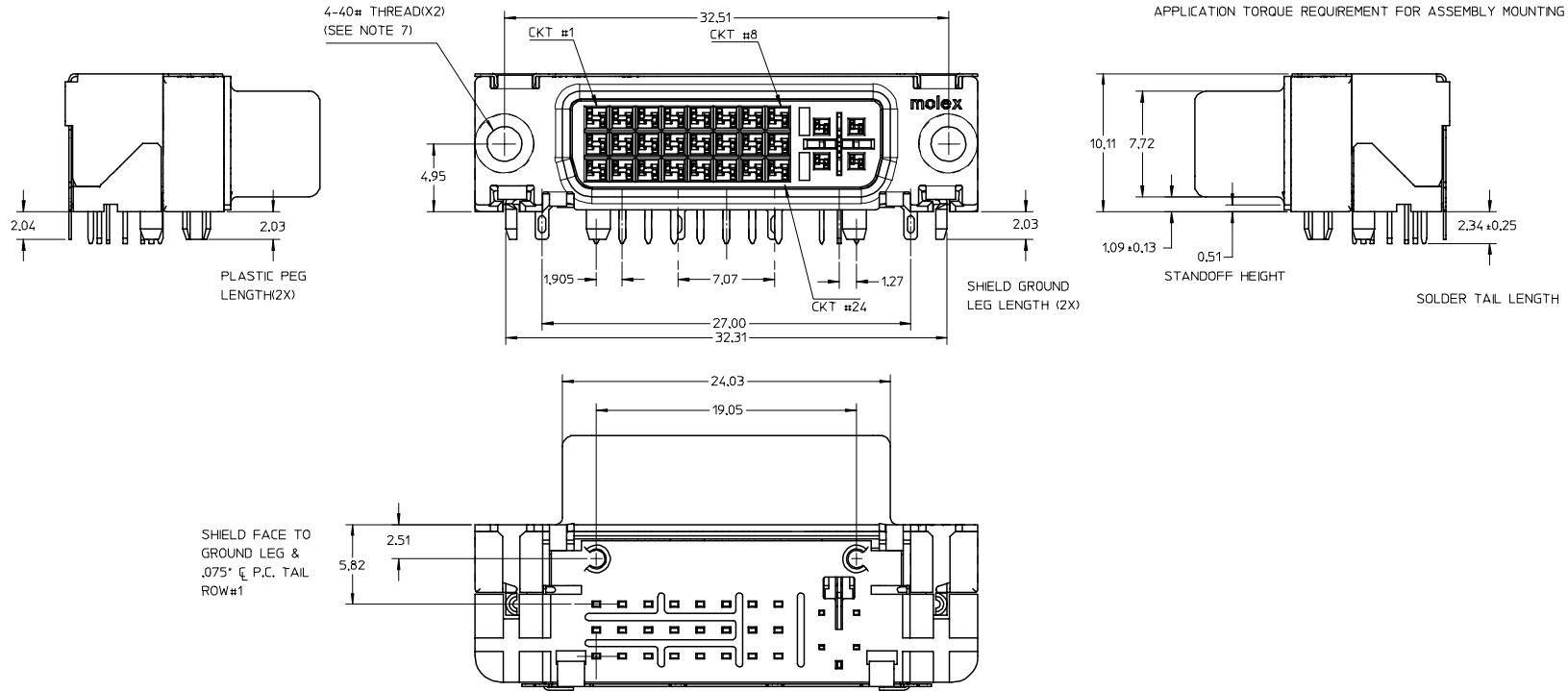
This document was generated on 05/10/2010

PLEASE CHECK WWW.MOLEX.COM FOR LATEST PART INFORMATION

J
I
H
G
F
E
D
C
B
A



1. MATERIALS:
 FRONT SHIELD -- DEEP DRAW STEEL
 BACK SHIELD -- STAINLESS STEEL
 HOUSING -- GLASS FILLED POLYMER,NATURE(IVORY WHITE)UL 94v-0.
 TAIL ALIGNER -- GLASS FILLED POLYMER, NATURE(IVORY WHITE)UL 94v-0.
 CONTACTS -- COPPER ALLOY
 MICROGROUND -- COPPER ALLOY
2. PLATING SHEET 2
3. PRODUCT CONFIRMS TO MOLEX PRODUCT SPECIFICATION NUMBER PS-74320-001, REFER TO THIS SPECIFICATION FOR SPACING ON A P.C.B.OF TWO OR MORE CONNECTORS WITH USING A CABLE OR AN ADAPTER ASSEMBLY.
4. SEE SHEET 2 FOR RECOMMENDED PANEL CUT-OUT AND P.C.B.LAYOUT.
5. PARTS WILL BE PACKAGED IN TRAYS PER PK-74320-010
6. PRODUCT CONFIRMS TO DDWG DVI SPECIFICATION,REFER TO THIS SPECIFICATION FOR CONNECTOR MATING DIMENSIONS.
7. RECOMMENDED MOUNTING HARDWARE IS MOLEX P/N 88780-6066 OR 82007-0300 OR 71781-0001 REFER TO PRODUCT SPECIFICATION NUMBER PS-74320-001 FOR THE APPLICATION TORQUE REQUIREMENT FOR ASSEMBLY MOUNTING HARDWARE.

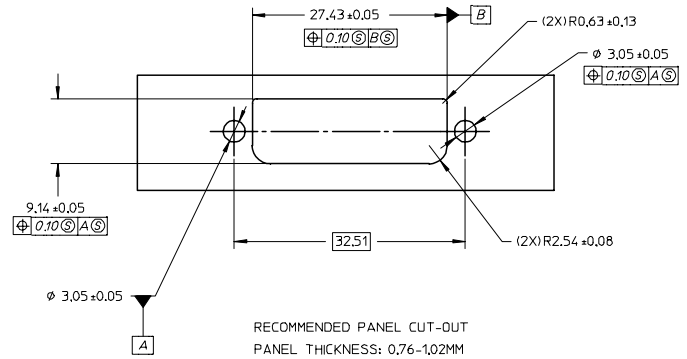
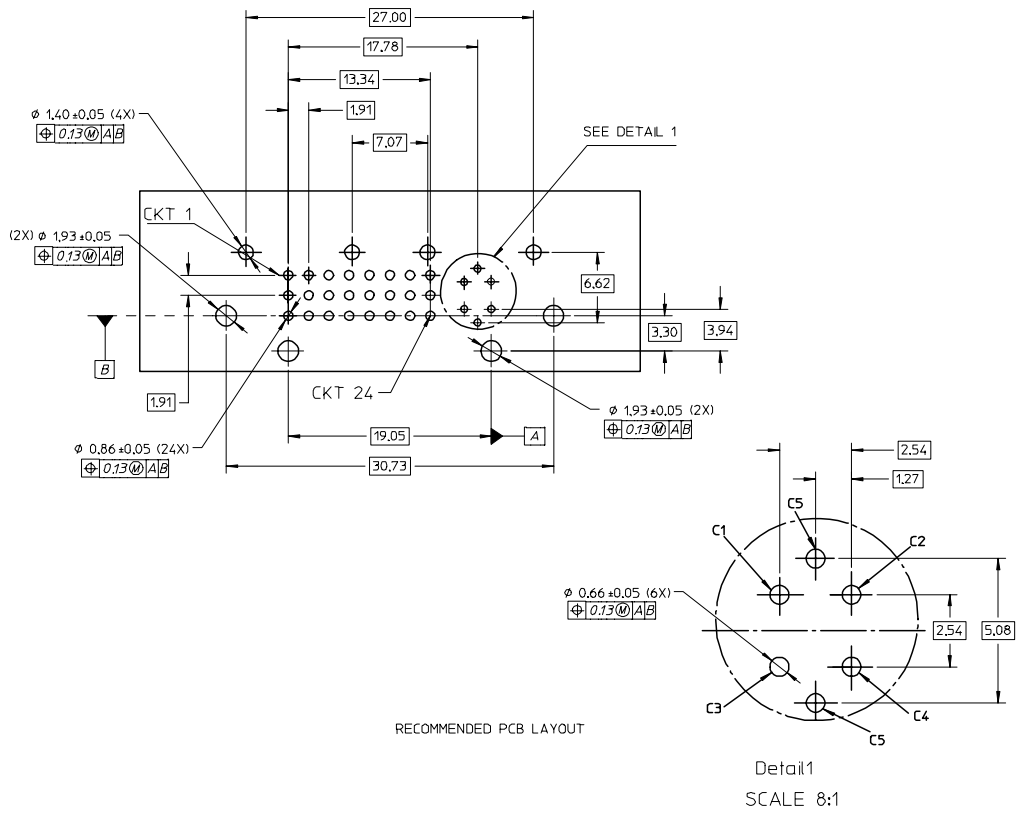


NEW RELEASE EC NO: SH2005-0035 DRAWN: DXUE 2004/08/19 CHKD: 2004/08/20 APPR: YTYAP 2004/08/20	DESCRIPTION REV A	QUALITY SYMBOLS ▽ - 0 ◁ - 0	GENERAL TOLERANCES (UNLESS SPECIFIED) mm INCH 4 PLACES ± --- ± --- 3 PLACES ± --- ± --- 2 PLACES ± 0.25 ± --- 1 PLACE ± 0.25 ± --- ANGULAR ± 3 ° DRAFT WHERE APPLICABLE MUST REMAIN WITHIN DIMENSIONS	SCALE 4:1 DESIGN UNITS METRIC DIMENSION STYLE MM ONLY DRAWN BY DXUE DATE 2004/8/5 CHECKED BY DATE	THIRD ANGLE PROJECTION REVISIONS TITLE DVI-I RIGHT ANGLE RECEPTACLE CONNECTOR WITH EMI SHIELDING MOLEX MOLEX INCORPORATED MATERIAL NO. 743201304 DOCUMENT NO. SD-74320-050 SHEET NO. 1 OF 2
		APPROVED BY DATE	THIS DRAWING CONTAINS INFORMATION THAT IS PROPRIETARY TO MOLEX INCORPORATED AND SHOULD NOT BE USED WITHOUT WRITTEN PERMISSION	SHEET NO. 1 OF 2	

12 11 10 9 8 7 6 5 4 3 2

J
I
H
G
F
E
D
C
B
A

J
I
H
G
F
E
D
C
B
A



PLATING OPTIONS:
 PLATING OPTION #1:
 FRONT SHIELD -- 150u"/3.75um MIN, BRIGHT TIN OVER
 50u"/1.27um MIN, NICKEL OVER COPPER FLASH.
 BACK SHIELD -- 50u"/1.27um MIN, BRIGHT TIN OVER
 50u"/1.27um MIN, NICKEL OVERALL.

 .075"/1.91mm CONTACTS -- SELECT GOLD FLASH AND
 100u"/2.50um MIN, SELECT TIN
 OVER 50u"/1.27um MIN, NICKEL OVERALL.
 .100"/2.54mm CONTACTS -- SELECT GOLD FLASH AND
 100u"/2.50um MIN, SELECT TIN,
 OVER 50u"/1.27um MIN, NICKEL OVERALL.
 MICROGROUND -- 30u"/0.75um MIN SELECT GOLD AND
 100u"/2.50um MIN, SELECT TIN,
 OVER 50u"/1.27um MIN, NICKEL OVERALL.

NEW RELEASE EC NO: SH2005-0035 DRWN:DXUE 2004/08/19 CHKD: 2004/08/20 APPR:YTYAP 2004/08/20	DESCRIPTION REV	QUALITY SYMBOLS	GENERAL TOLERANCES (UNLESS SPECIFIED)		SCALE 4:1	DESIGN UNITS METRIC	THIRD ANGLE PROJECTION	REVISE ON CAD ONLY					
		0.0 0.1 0.2 0.3 0.4 0.5 0.6 0.7 0.8 0.9 1.0 1.2 1.5 2.0 2.5 3.0 4.0 5.0 6.0 8.0 10.0 12.0 15.0 20.0 25.0 30.0 40.0 50.0 60.0 80.0 100.0 120.0 150.0 200.0 250.0 300.0 400.0 500.0 600.0 800.0 1000.0	mm	INCH	DIMENSION STYLE MM ONLY		TITLE DVI-I RIGHT ANGLE RECEPTACLE CONNECTOR WITH EMI SHIELDING						
			4 PLACES ± --- ± ---	3 PLACES ± --- ± ---	DRAWN BY DXUE		DATE 2004/8/5						
			2 PLACES ± 0.25 ± ---	1 PLACE ± 0.25 ± ---	CHECKED BY		DATE						
ANGULAR ± 3 °		DRAFT WHERE APPLICABLE		APPROVED BY		DATE		MATERIAL NO. 743201304		DOCUMENT NO. SD-74320-050		SHEET NO. 2 OF 2	
MUST REMAIN WITHIN DIMENSIONS		THIS DRAWING CONTAINS INFORMATION THAT IS PROPRIETARY TO MOLEX INCORPORATED AND SHOULD NOT BE USED WITHOUT WRITTEN PERMISSION											

11 10 9 8 7 6 5 4 3 2 1