

ULTRA THIN D-SUB STRAIGHT P.C.B MOUNT

(MALE TYPE)

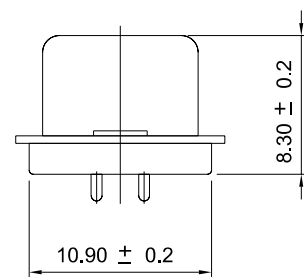
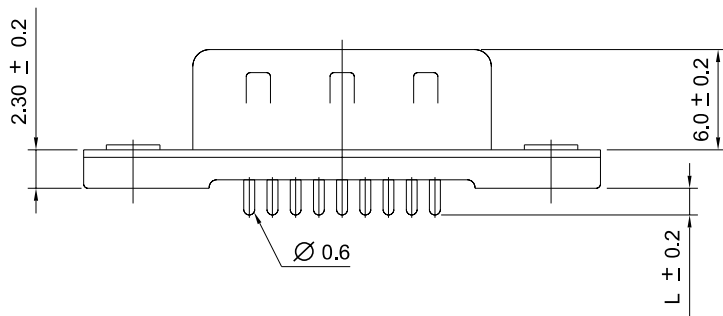
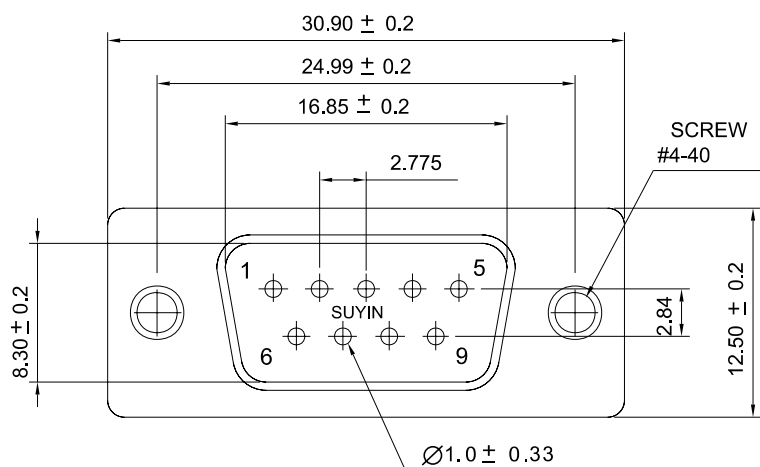


070905MS Series

Mates with standard socket

Specifications:

- 9 Circuits
- Insulator Material : Black High Temp. Plastic
- Operating Temp. Range : -40°C to +105°C
- Terminal Material : Brass(Machine Pin)
- Plating : Contact-Gold Plated
: Metal shell- Tin Plated
- Max. Current Rating : 2.5A
- Voltage Rating : 250V AC
- Dielectric Strength : 500V (Min. 60 Seconds)



Order Information

070905MS009□□□ZU
1 2 3 6 45

1. 'B' : Right Angle SMT Type
2. No. of Pins
3. Plating
4. Color 'Z' : Black
5. Package
'U' : Tube Package not Cap
6. Pin Length

SUYIN P/NO.	DIM.L
070905MS009□□01ZU	1.6mm
070905MS009□□00ZU	2.2mm

Recommended P.C.B Layout

