

PLEASE CHECK WWW.MOLEX.COM FOR LATEST PART INFORMATION

Part Number: [0503948052](#)
Status: **Active**
Overview: [milligrd](#)
Description: Milli-Grid™ Crimp Terminal, Reel, 0.76µm (30µ") Select Gold, Lead free

Documents:

[Drawing \(PDF\)](#) [RoHS Certificate of Compliance \(PDF\)](#)
[Product Specification PS-51110-001 \(PDF\)](#)

General

Product Family	Crimp Terminals
Series	50394
Crimp Quality Equipment	Yes
Overview	milligrd
Product Literature Order No	987650-1991
Product Name	Milli-Grid™

Physical

Gender	Female
Material - Metal	Phosphor Bronze
Material - Plating Mating	Gold
Material - Plating Termination	Nickel
Packaging Type	Reel
Plating min: Mating (µin)	30.4
Plating min: Mating (µm)	0.76
Plating min: Termination (µin)	80
Plating min: Termination (µm)	2
Termination Interface: Style	Crimp or Compression
Wire Insulation Diameter	1.40mm (.055") max.
Wire Size AWG	24, 26, 28, 30
Wire Size mm²	N/A

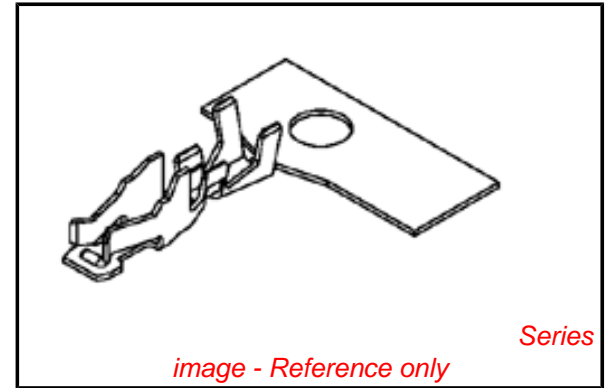
Electrical

Current - Maximum per Contact	0.5A, 1.5A, 1A, 2A
Voltage - Maximum	125V

Material Info

Reference - Drawing Numbers

Product Specification	PS-51110-001
-----------------------	--------------



EU RoHS

**ELV and RoHS
Compliant**
**REACH SVHC
Contains SVHC: No**
**Halogen-Free
Status**

China RoHS



**Need more information on product
environmental compliance?**

Email productcompliance@molex.com
 For a multiple part number RoHS Certificate of Compliance, [click here](#)

Please visit the [Contact Us](#) section for any non-product compliance questions.

Search Parts in this Series

[50394Series](#)

Use With

[51110 Crimp Housing](#)

Application Tooling | FAQ

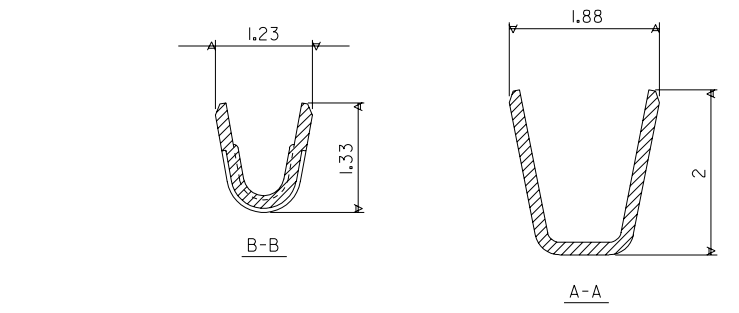
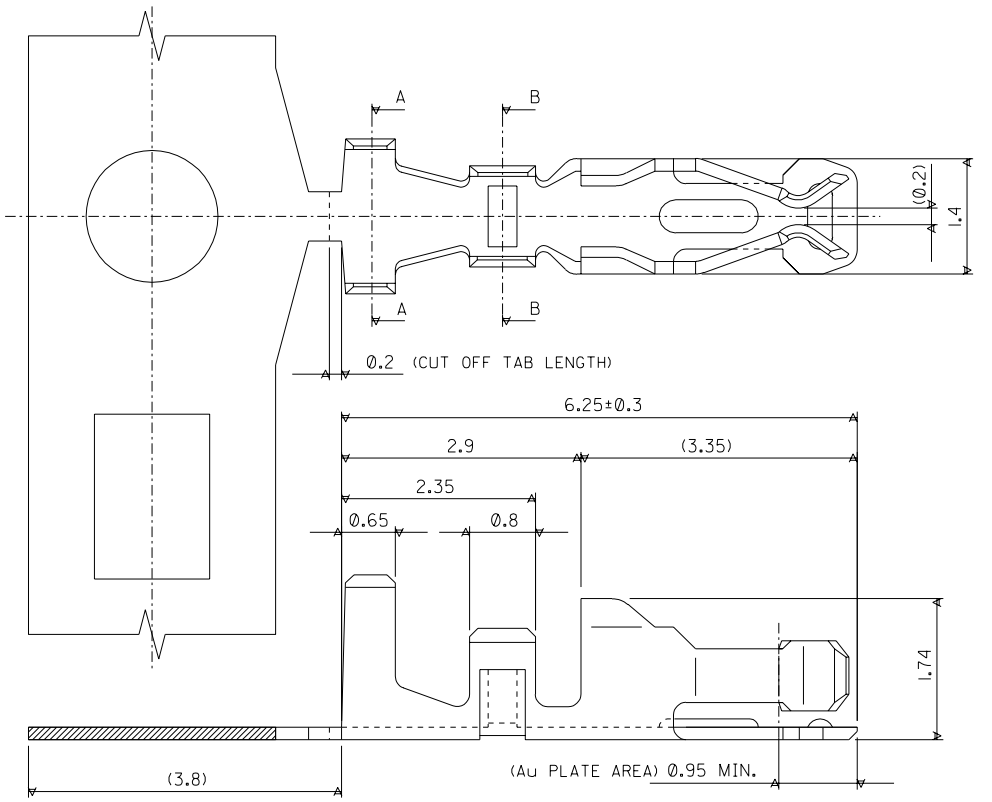
Tooling specifications and manuals are found by selecting the products below. Crimp Height Specifications are then contained in the Application Tooling Specification document.

Global

Description	Product #
Hand Crimp Tool for Milli-Grid™ and MicroBlade Crimp Terminals	0638190100
FineAdjust™ Applicator for 2.00mm (.079") Pitch Wire-to-Board Crimp Terminals 24-30 AWG	0639005200

This document was generated on 05/19/2010

PLEASE CHECK WWW.MOLEX.COM FOR LATEST PART INFORMATION



NOTES.
 1. APPLICABLE HOUSING : 51110-***1
 : 51110-***5

GOLD FLASH 0.05-0.125 μ M	50394-8400	50394-8054
0.38 Pd/Ni w/ GOLD FLASH	50394-8300	50394-8053
0.76	50394-8200	50394-8052
0.38	50394-8100	50394-8051
Au. PLATE THICK. (μ m MIN.)	FORM:LOOSE	FORM:CHAIN
ENG.No.		

				MATERIAL : PHOSPHOR BRONZE (THK=0.152)		MOLEX SINGAPORE PTE LTD SHEET 1 OF 1	
A2	ADD GOLD FLASH AS PER ECN*S2003-0030	-	NASH RCL	02/07/12	FINISH : SEE NOTES		
A1	ADD 0.38 Pd/Ni WITH GOLD FLASH AS PER PDR*98-01- 0267 (ECN*S1998-0364)	-	SEE	980312			GENERAL TOLERANCES \pm 0.20/.008 DWG. NO.: SD 50394-8***
A	REL AS PER ECN*	S40519	SO	EDP	940420	REV A2	
LTR	REVISION RECORD	ECN	DR	CHK	DATE	TITLE : 2.0mm GRID W TO B CONN. CRIMP TERMINAL	
REVISE ONLY ON CAD SYSTEM						DRAWN BY S.O. 940420	CHK'D BY EDPOH 940427
						APPR'D BY ROY 940428	SCALE 15:1