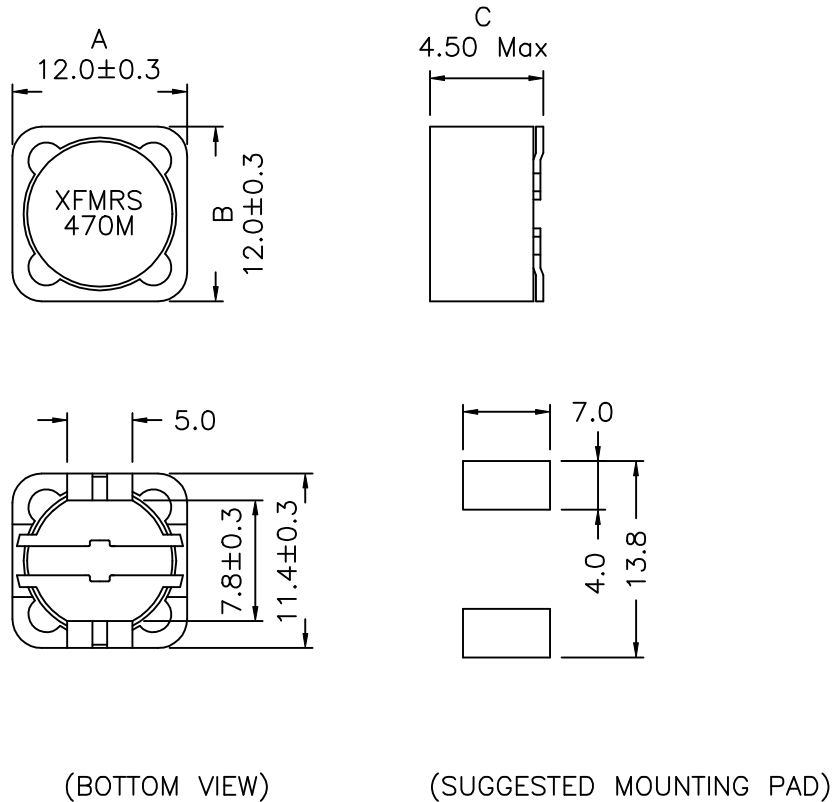
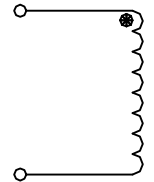


1. Mechanical Dimensions:



2. Schematic:



3. Electrical Specifications:@25°C

INDUCTANCE: 47uH ±20% @100KHz 0.1V

DC RESISTANCE: 0.140 Ohms Max

CURRENT: 1.8 ADC Max

Notes:

1. Solderability: Leads shall meet MIL-STD-202, Method 208D for solderability.
2. Flammability: UL94V-0
3. ASTM oxygen index: > 28%
4. Insulation System: Class F 155°C. UL file E151556
5. Operating Temperature Range: All listed parameters are to be within tolerance from -40°C to +85°C
6. Storage Temperature Range: -55°C to +125°C
7. Aqueous wash compatible

DOC REV A/1

XFMRs Inc.	Title: XFTPRH1204 SERIES INDUCTORS		
	UNLESS OTHERWISE SPECIFIED TOLERANCES: TYPICAL Dimensions in MM	P/N: XFTPRH1204-470M	REV. A
	DWN.	廖玉坤	Jun-30-00
	CHK.	李清儿	Jun-30-00
	APP.	BW	Jun-30-00