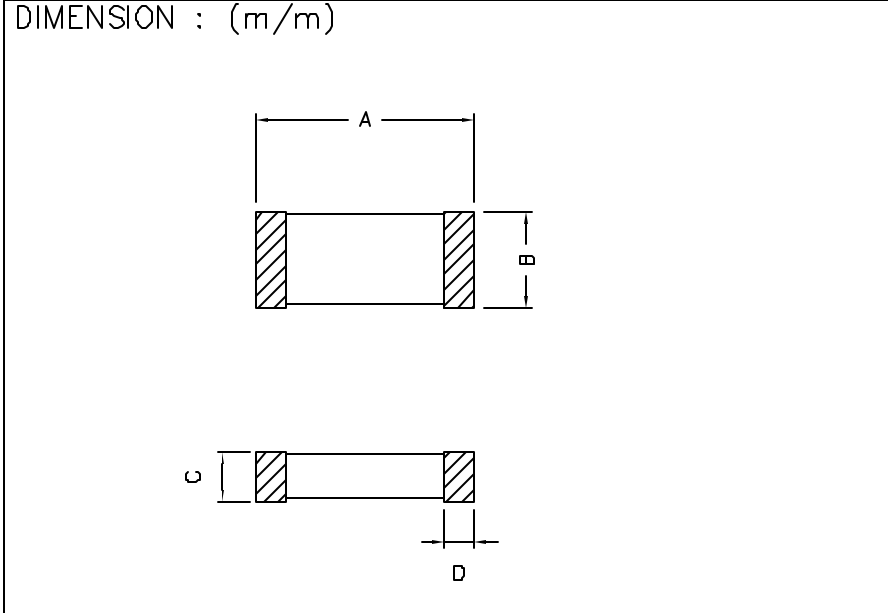


XFMRS, Inc.

SPECIFICATION FOR APPROVAL

XFMRS P/N : XFEB453215-115-2A Rev: A



A	$\phi 4.5 \pm 0.2$	m/m
B	3.2 ± 0.2	m/m
C	1.5 ± 0.2	m/m
D	0.5 ± 0.3	m/m
E		m/m
F		m/m
G		m/m
H		m/m
I		m/m
J		m/m
K		m/m
L		m/m
M		m/m
N		m/m
O		m/m

ELECTRICAL REQUIREMENTS

Z	$115 \pm 25\%$ Ohms	TEST FREQ.	100	MHz
Rdc	0.10 Ohms Max	TEST FREQ.		MHz
Idc	2000mAdc Max	TEST FREQ.		MHz

TEST INSTRUMENTS

- HP 34401A MULTIMETER
- HP 4195 NETWORKS/SPECTRUM ANALYZER
- HP 42841 BIAS CURRENT SOURCE
- HP 4285A LCR METER
- HP 4286A RF LCR METER
- HP 4291A RF IMPEDANCE / MATERIAL ANALYZER
- HP 4338A MILLION OHM METER
- HP 6632A DC POWER SUPPLY
- HP4284A PRECISION LCR METER

Notes:

- Solderability: Leads shall meet MIL-STD-202, Method 208D for solderability.
- Flammability: UL94V-0
- ASTM oxygen index: > 28%
- Insulation System: Class F 155°C. UL file E151556
- Operating Temperature Range: All listed parameters are to be within tolerance from -40°C to +85°C
- Storage Temperature Range: -55°C to +125°C
- Aqueous wash compatible
- SMD Lead Coplanarity: $\pm 0.004"$ (D.102mm)
- Moisture Sensitivity: Level 2

DRAWN BY :
BUDDY
WOODS

CHECKED BY :
JOE HUFF

APPROVED BY :
J Ng

PROPRIETARY Document is the property of XFMRS Group & is not allowed to be duplicated without authorization.