

Absolute Maximum Rating

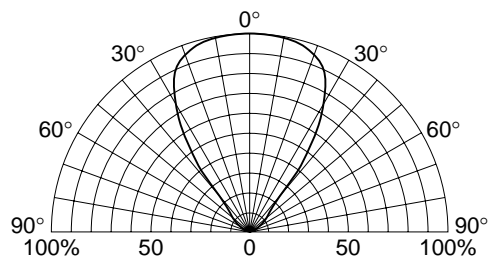
| Parameter | Unit | Rated | Conditions |
|--------------|-------|-------------|-----------------|
| IF | mA | 100 | |
| ΔI_F | mA/°C | -1.33 | 25°C or higher |
| IFP | mA | 1000 | f=1kHz, tw≤10μs |
| VR | V | 5 | |
| Top | °C | -30 to +85 | |
| Tstg | °C | -30 to +100 | |

3φ Round Infrared LEDs

SID2010 Series

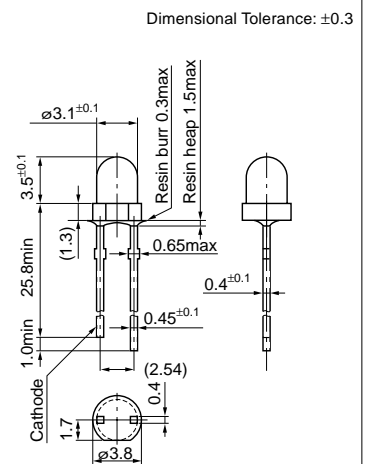
| Part Number | Lens Color | Forward Voltage | | Radiant Intensity | | Peak Wavelength | | Spectrum Half Bandwidth | | Chip Material | Remark | |
|-------------|-------------|---------------------------|-----|-----------------------|-------------------------------|-----------------|----------------------------|-------------------------|----------------|---------------|--------|-----------------------|
| | | V _F (V) TYP | MAX | Conditions IF (mA) | I _e (mW/sr) TYP | Conditions | λ _P (nm) TYP | Conditions IF (mA) | Δλ (nm) TYP | | | Conditions IF (mA) |
| SID2010C | Water clear | 1.3 | 1.5 | 50 | 7 | IF=50mA | 940 | 50 | 50 | 50 | GaAs | - |
| SID2K10C | Water clear | 1.3 | 1.5 | 50 | 14 | IF=50mA | 940 | 50 | 50 | 50 | GaAs | - |

Directional Characteristics (representative example)



External Dimensions

(Unit: mm)



Product Mass: Approx. 0.12 g