

PLEASE CHECK WWW.MOLEX.COM FOR LATEST PART INFORMATION

Part Number: [5020462070](#)
Status: **Active**
Description: 1.25mm (.049") Pitch Duo-Clasp™ Wire-to-Board PCB Receptacle, Dual Row, Right Angle, 20 Circuits

Documents:

[3D Model](#) [Product Specification PS-501931-002 \(PDF\)](#)
[Drawing \(PDF\)](#) [RoHS Certificate of Compliance \(PDF\)](#)
[Application Specification \(PDF\)](#)

General

Product Family PCB Receptacles
 Series [502046](#)
 Application Wire-to-Board
 Product Name Duo-Clasp™

Physical

Circuits (Loaded) 20
 Color - Resin Natural
 Durability (mating cycles max) 30
 Glow-Wire Compliant No
 Guide to Mating Part Yes
 Keying to Mating Part Yes
 Lock to Mating Part Yes
 Mated Height (in) 0.309 In
 Mated Height (mm) 7.85 mm
 Material - Metal Copper Alloy
 Material - Plating Mating Gold
 Material - Plating Termination Tin
 Number of Rows 2
 Orientation Right Angle
 PCB Locator No
 PCB Retention Yes
 Packaging Type Embossed Tape on Reel
 Pitch - Mating Interface (in) 0.049 In
 Pitch - Mating Interface (mm) 1.25 mm
 Polarized to Mating Part Yes
 Polarized to PCB No
 Stackable No
 Temperature Range - Operating -25°C to +85°C
 Termination Interface: Style Surface Mount

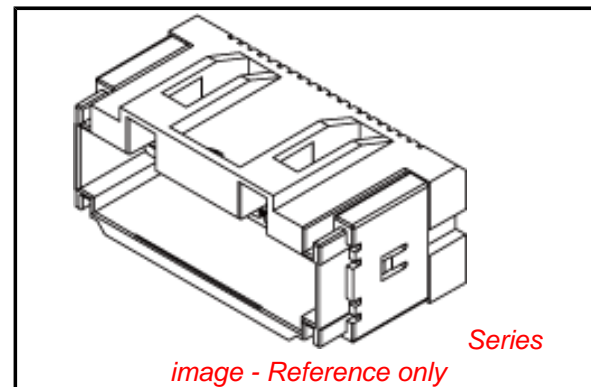
Electrical

Current - Maximum per Contact 1A
 Voltage - Maximum 50V AC (RMS)/DC

Material Info

Reference - Drawing Numbers

Application Specification AS-503110-001, AS-503110-002
 Packaging Specification SPK-502046-001
 Product Specification PS-501931-002, RPS-501931-002
 Sales Drawing SD-502046-001, SD-502046-002



EU RoHS

**ELV and RoHS
 Compliant**
REACH SVHC
 Not Reviewed
**Halogen-Free
 Status**
Not Reviewed

China RoHS



**Need more information on product
 environmental compliance?**

Email productcompliance@molex.com
 For a multiple part number RoHS Certificate of
 Compliance, [click here](#)

Please visit the [Contact Us](#) section for any
 non-product compliance questions.

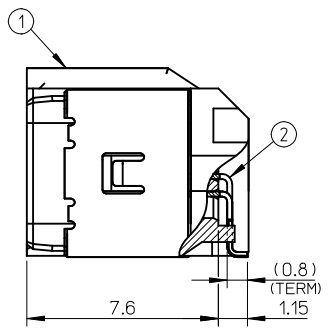
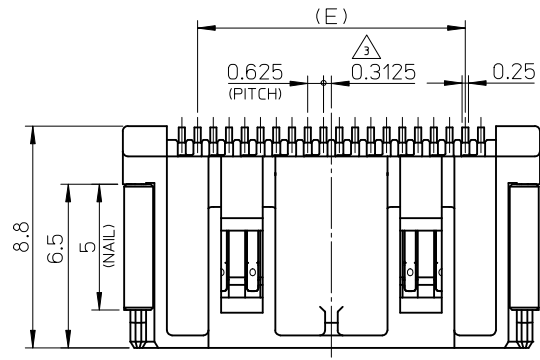
Search Parts in this Series

[502046Series](#)

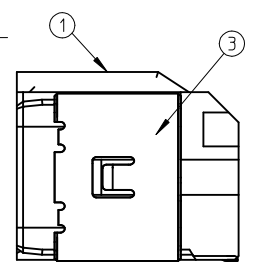
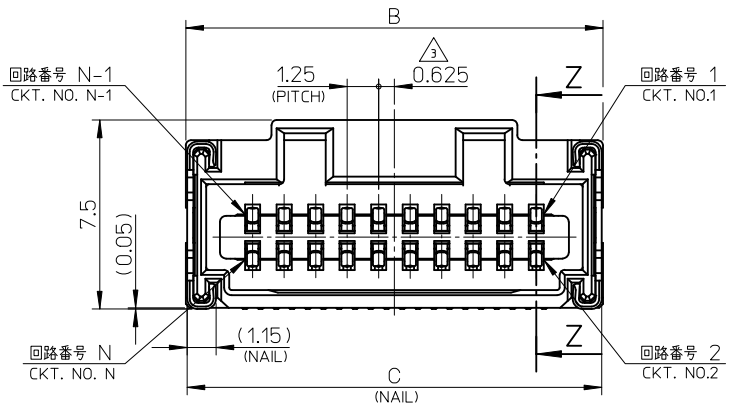
Mates With

[503110](#) Crimp Housing . [501930](#) Crimp
 Terminal

PLEASE CHECK WWW.MOLEX.COM FOR LATEST PART INFORMATION

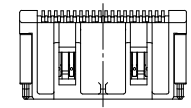


SECTION Z-Z

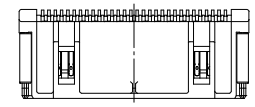


NOTES

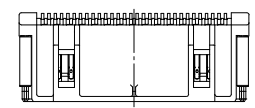
1. 嵌合相手: 503110-****.
MATE WITH: 503110-****.
2. 端子テール部 及び ネイルの平坦度: 0.1MAX.
TAIL AND NAIL COPLANARITY TO BE 0.1 MAX.
3. 極数/2=偶数に適用.
APPLY FOR CKT. SIZE / 2 = EVEN.
4. 端子テール部 及び ネイルに錫めっきを使用しているため、
外観に摺動痕が付く場合が御座います。
THE WOUND OF FRICTION MIGHT ADHERE TO EXTERNALS
BECAUSE THE TIN PLATING IS USED FOR THE TAIL AND NAIL.
5. 本製品のプラスチック部に黒点等が確認される場合や
色合いが異なる場合がありますが、製品性能に影響はありません。
THERE IS NO INFLUENCE IN THE PRODUCT PERFORMANCE THOUGH
THE BLACK SPOT ETC. MIGHT BE CONFIRMED TO THE PLASTIC PART
OF THIS PRODUCT AND THE SHADE MIGHT BE DIFFERENT.
6. ELV 及び RoHS 適合品
ELV AND RoHS COMPLIANT



20ckt.



30ckt.



40ckt.

極数の種類 (正面図)

KIND OF CKT. NO. (FRONT VIEW)

15.5	24.375	25.9	28.95	29.05	29.5	502046-4070	40	
9.25	18.125	19.65	22.7	22.8	23.25	502046-3070	30	
3	11.875	13.4	16.45	16.55	17	502046-2070	20	
F	E	D	C	B	A	EMBOSSED PACKAGE	極数	
							オーダー番号 ORDER No.	CIRCUITS

CONNECTOR SERIES No. 502046-**00

1.25 W/B CONN. DUAL
R/A REC. ASS'Y



MOLEX INCORPORATED

DOCUMENT NO.

SD-502046-001

SHEET NO.

1 OF 2

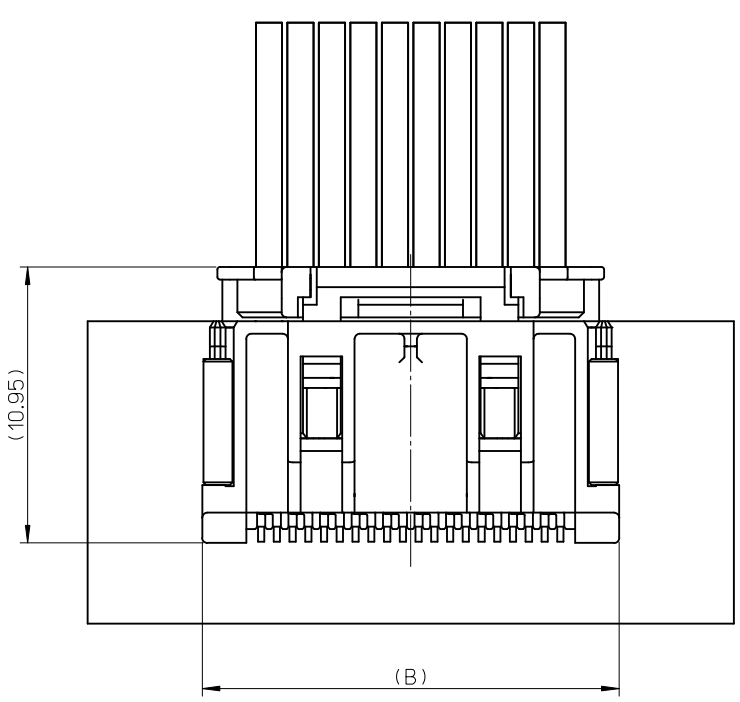
THIS DRAWING CONTAINS INFORMATION THAT IS PROPRIETARY TO MOLEX INCORPORATED AND SHOULD NOT BE USED WITHOUT WRITTEN PERMISSION

番号 NO.	部品 PART	材質 MATERIAL
①	ハウジング HOUSING	ポリアミド(PA) UL94V-0 色: 自然色 POLYAMIDE(PA) UL94V-0 COLOR:NATURAL
②	ターミナル TERMINAL	銅合金 COPPER ALLOY 金めっき(接点部): 0.1 micro-meter MIN. GOLD (CONTACT AREA) 錫めっき(テール部): 1.0 micro-meter MIN. TIN (TAIL AREA) ニッケルめっき(下地): 1.0 micro-meter MIN. NICKEL (UNDER PLATING)
③	ネイル NAIL	銅合金 COPPER ALLOY 錫めっき: 1.0 micro-meter MIN. TIN ニッケルめっき(下地): 1.0 micro-meter MIN. NICKEL (UNDER PLATING)

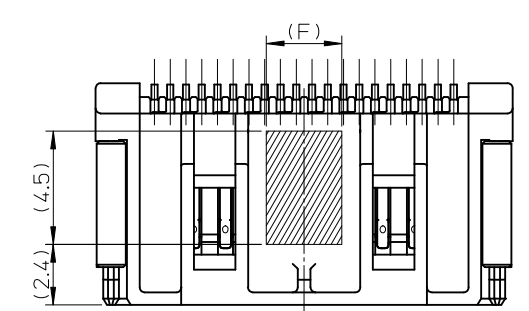
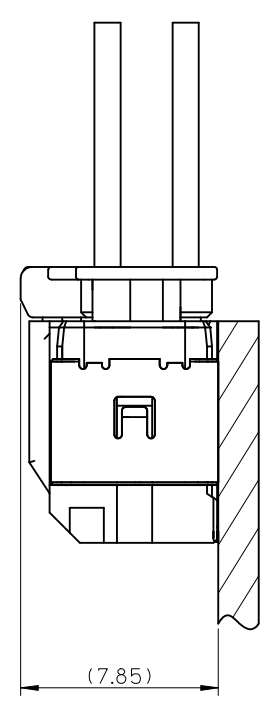
REVISED EC NO: J2010-1115 DRWN: YOSHIKAWA 2009/12/03 CHKD: ASAKAWA 2009/12/07 APPR: NUKITA 2009/12/07	DESCRIPTION	GENERAL TOLERANCES (UNLESS SPECIFIED)	
		10 UNDER	±0.2
		10 OVER 30 UNDER	±0.25
		30 OVER	±0.3
REV	DESCRIPTION	ANGULAR	±3 °
		DRAFT WHERE APPLICABLE MUST REMAIN WITHIN DIMENSIONS	

DIMENSION STYLE		SCALE	DESIGN UNITS
MM ONLY		5:1	METRIC
DRAWN BY	DATE	TITLE	
T. MIYAZAKI	2006/03/13	1.25 W/B CONN. DUAL R/A REC. ASS'Y	
CHECKED BY	DATE		
K. ASAKAWA	2006/03/13		
APPROVED BY	DATE		
S. ICHIKAWA	2006/03/13		
MATERIAL NO.			
SEE TABLE			
SIZE	THIS DRAWING CONTAINS INFORMATION THAT IS PROPRIETARY TO MOLEX INCORPORATED AND SHOULD NOT BE USED WITHOUT WRITTEN PERMISSION		
A3			

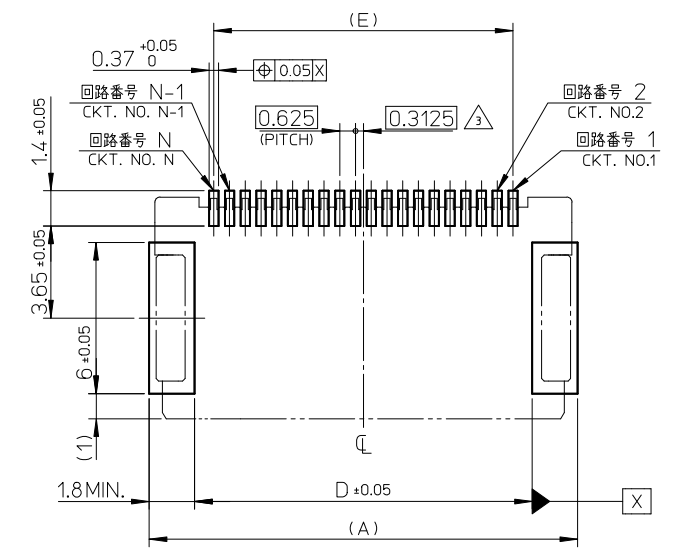
10 9 8 7 6 5 4 3 2 1



嵌合図
MATED CONNECTORS

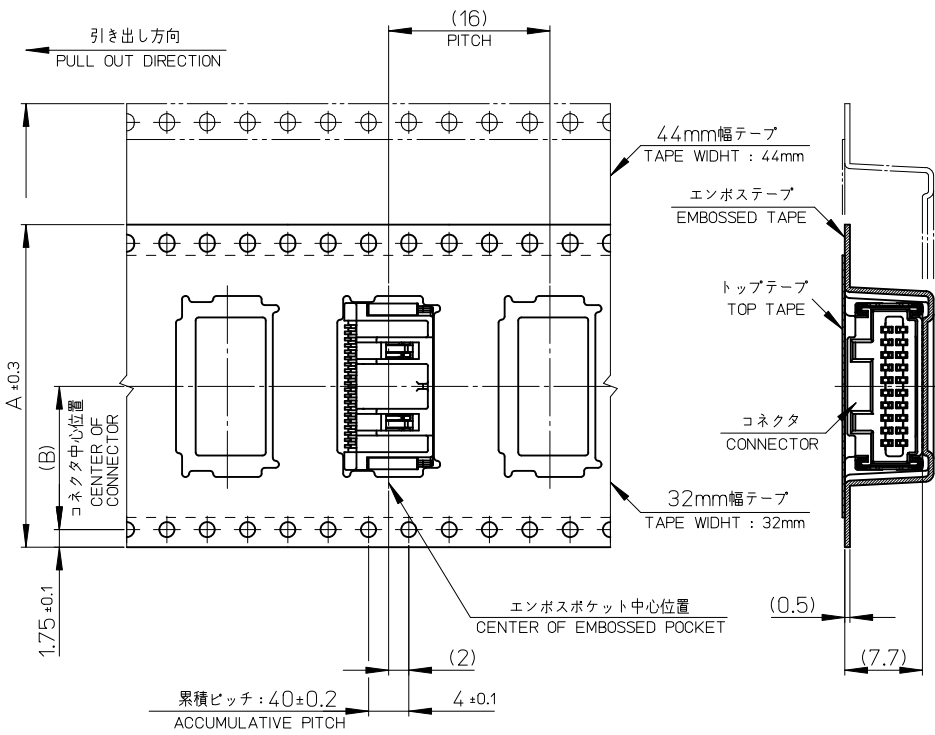
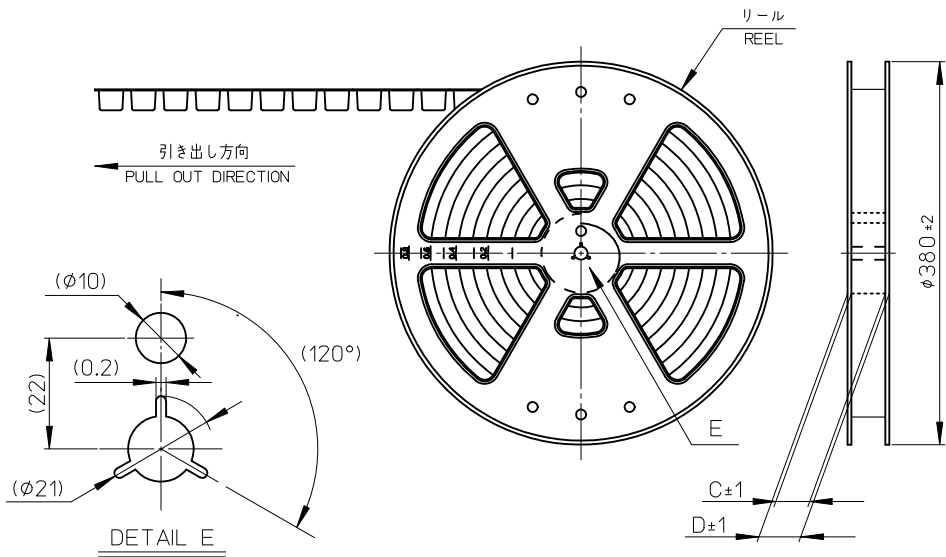


吸着範囲
VACUME AREA



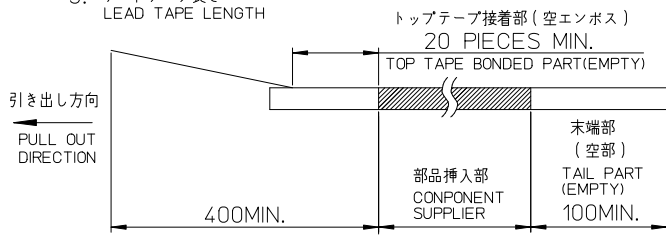
基板パターンレイアウト (参考)
RECCOMENDED P.C.B. PATTERN LAYOUT (REF.)

REVISED EC NO: J2010-1115 DRWN: YOSHIKAWA 2009/12/03 CHK'D: K. ASAKAWA 2009/12/07 APPR: NUKITA 2009/12/07	GENERAL TOLERANCES (UNLESS SPECIFIED)		DIMENSION STYLE MM ONLY	SCALE 5:1	DESIGN UNITS METRIC	THIRD ANGLE PROJECTION
	10 UNDER	± 0.2	DRAWN BY T. MIYAZAKI	DATE 2006/03/13	TITLE 1.25 W/B CONN. DUAL R/A REC. ASS'Y	
	10 OVER 30 UNDER	± 0.25	CHECKED BY K. ASAKAWA	DATE 2006/03/13	MOLEX INCORPORATED	
	30 OVER	± 0.3	APPROVED BY S. ICHIKAWA	DATE 2006/03/13		
	ANGULAR	± 3 °	MATERIAL NO. SEE SHEET 1	DOCUMENT NO. SD-502046-001	SHEET NO. 2 OF 2	
DRAFT WHERE APPLICABLE MUST REMAIN WITHIN DIMENSIONS		SIZE A3	THIS DRAWING CONTAINS INFORMATION THAT IS PROPRIETARY TO MOLEX INCORPORATED AND SHOULD NOT BE USED WITHOUT WRITTEN PERMISSION			



NOTES

- 製品詳細寸法については、SD-502046-001 を参照下さい。
PLEASE REFER TO SD-502046-001 FOR THE DETAILED DIMENSION OF THE CONNECTOR.
- 梱包数量 : 650個
NUMBER OF CONNECTORS : 650 PIECES/REEL.
- リードテープ長さ
LEAD TAPE LENGTH



- 材料 MATERIAL
キャリアテープ: ポリスチレン (PS)
CARRIER TAPE: POLYSTYRENE (PS)
トップテープ: ポリエステル (PET)、その他
TOP TAPE: POLYESTER (PET)、OTHER
リール: ポリスチレン (PS) <リサイクル材を含む>
REEL: POLYSTYRENE (PS) <RECYCLE MATERIAL CONTAINED>
- ELV及びRoHS適合品
ELV AND RoHS COMPLIANT

49.4	45.4	20.2	44	44	502046-4070	40
49.4	45.4	20.2	44	44	502046-3070	30
37.4	33.4	14.2	32	32	502046-2070	20
D	C	B	A	エンボステープ幅 A WIDTH OF TAPE	EMBOSSSED PACKAGE オーダー番号 ORDER No.	極数 CIRCUITS

REVISED EC NO: J2010-1115 DRWN: NYOSHIKAWA 2009/12/03 CHKD: K. ASAKAWA 2009/12/07 APPR: NUKITA 2009/12/07	DESCRIPTION GENERAL TOLERANCES (UNLESS SPECIFIED)	10 UNDER	± 0.2	DRAWN BY T. MIYAZAKI	DATE 2006/03/13	TITLE 1.25 W/B CONN. DUAL R/A REC. EMBTP PKG
		10 OVER 30 UNDER	± 0.25	CHECKED BY K. ASAKAWA	DATE 2006/03/13	
		30 OVER	± 0.3	APPROVED BY S. ICHIKAWA	DATE 2006/03/13	
		ANGULAR ± 3 °		MATERIAL NO.	DOCUMENT NO.	
DRAFT WHERE APPLICABLE MUST REMAIN WITHIN DIMENSIONS		SIZE A3	SEE TABLE		MOLEX INCORPORATED SD-502046-002	
THIS DRAWING CONTAINS INFORMATION THAT IS PROPRIETARY TO MOLEX INCORPORATED AND SHOULD NOT BE USED WITHOUT WRITTEN PERMISSION						