

10/100BASE-TX QUAD PORT TRANSFORMER MODULES

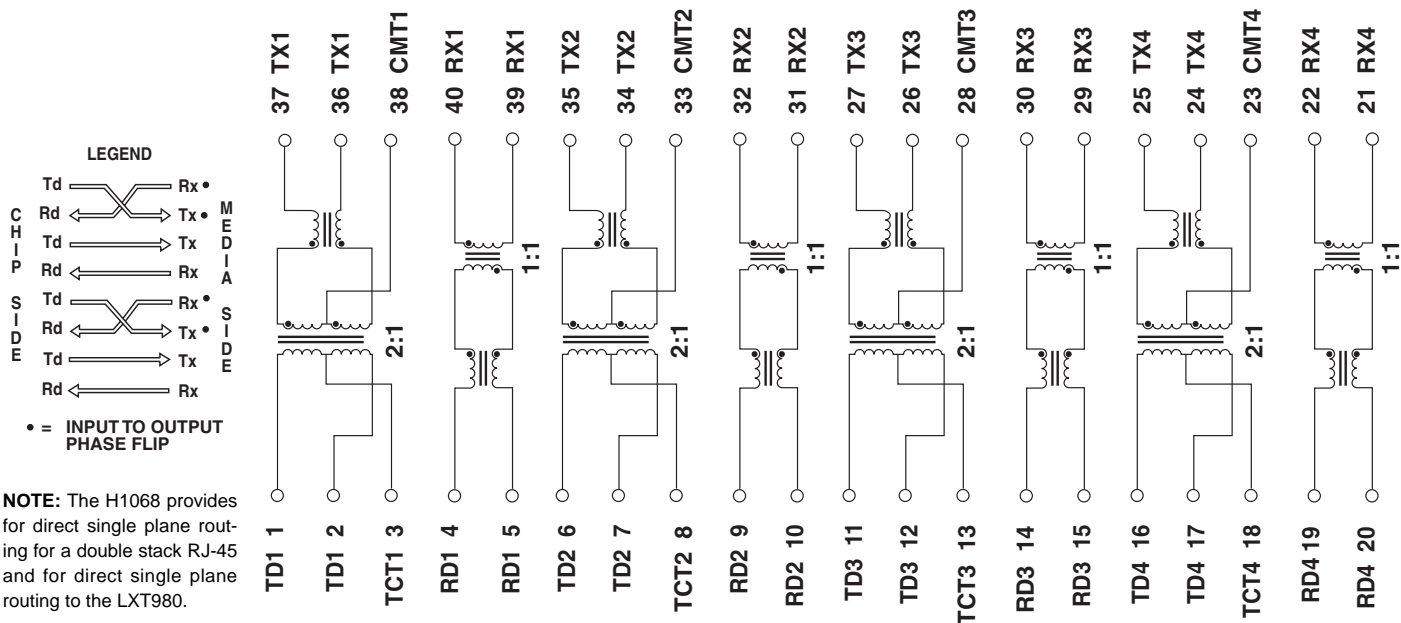
For Use with Level One's LXT974, LXT975 and LXT980 Series of PHY Solutions



Pulse
A TECHNITROL COMPANY

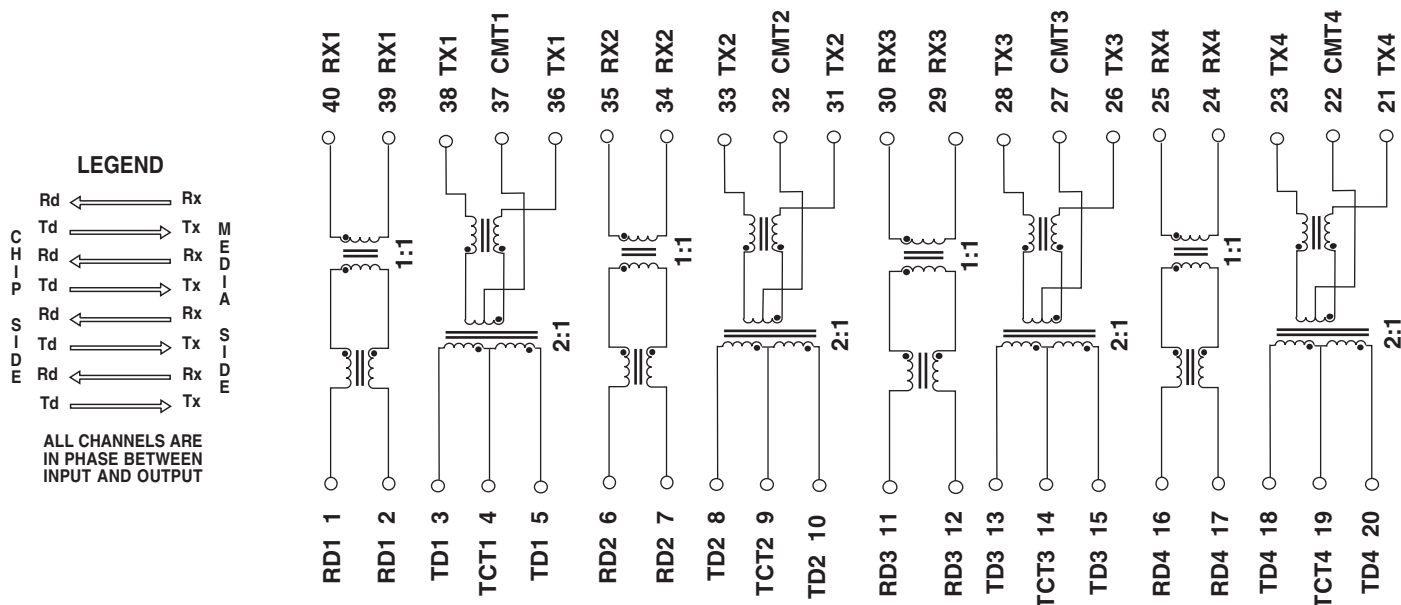
Schematics

H1068



NOTE: The H1068 provides for direct single plane routing for a double stack RJ-45 and for direct single plane routing to the LXT980.

H1069



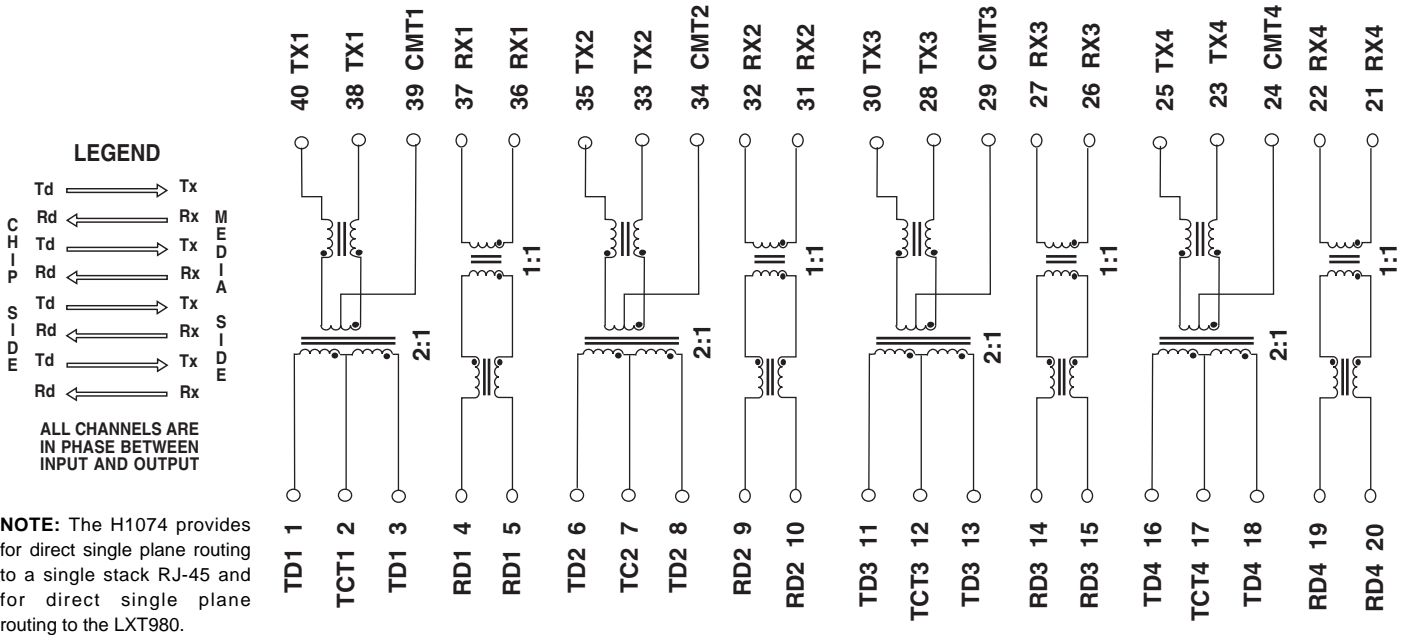
10/100BASE-TX QUAD PORT TRANSFORMER MODULES

For Use with Level One's LXT974, LXT975 and LXT980 Series of PHY Solutions

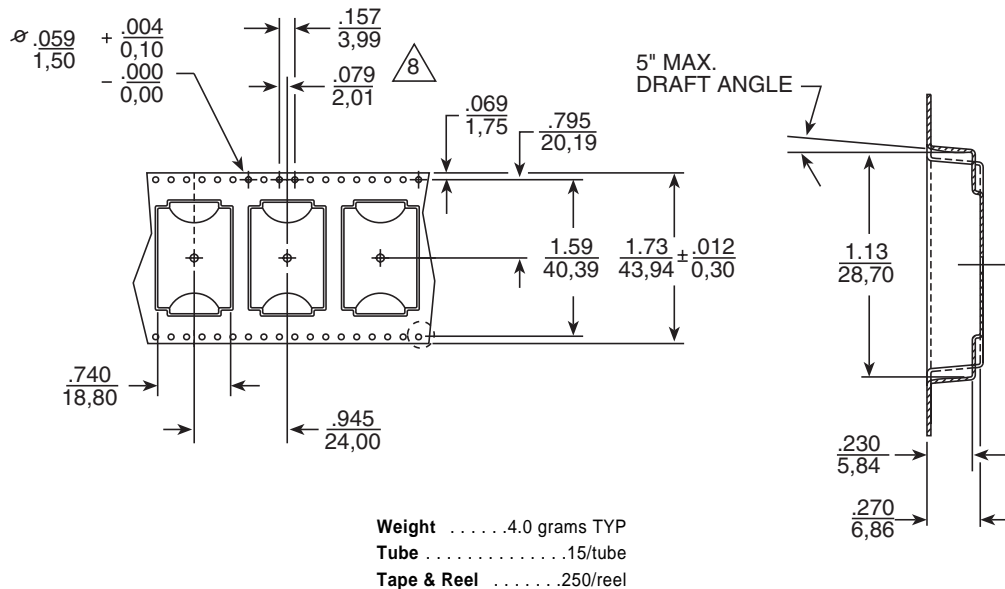


Schematic

H1074



Tape and Reel Specifications



10/100BASE-TX QUAD PORT TRANSFORMER MODULES

For Use with Level One's LXT974, LXT975
and LXT980 Series of PHY Solutions



Pulse
A TECHNITROL COMPANY

For More Information:

Pulse Worldwide Headquarters

12220 World Trade Dr.
San Diego, CA 92128
U.S.A.

www.pulseeng.com

TEL: 858 674 8100
FAX: 858 674 8262

Pulse European Headquarters

Einsteinstrasse 1
71083 Herrenberg
Germany

TEL: 49 7032 7806 0
FAX: 49 7032 7806 12

Pulse China Headquarters

No. 1
Industrial District
Changan, Dongguan
China

TEL: 86 769 85538070
FAX: 86 769 85538870

Pulse North China

Room 1503
XinYin Building
No. 888 YiShan Rd.
Shanghai 200233
China

TEL: 86 21 54643211/2
FAX: 86 21 54643210

Pulse South Asia

150 Kampong Ampat
#07-01/02
KA Centre
Singapore 368324

TEL: 65 6287 8998
FAX: 65 6280 0080

Pulse North Asia

No. 26
Kao Ching Rd.
Yang Mei Chen
Taoyuan Hsien
Taiwan, R. O. C.

TEL: 886 3 4641811
FAX: 886 3 4641911

Performance warranty of products offered on this data sheet is limited to the parameters specified. Data is subject to change without notice. Other brand and product names mentioned herein may be trademarks or registered trademarks of their respective owners.

© Copyright, 2006. Pulse Engineering, Inc. All rights reserved.