

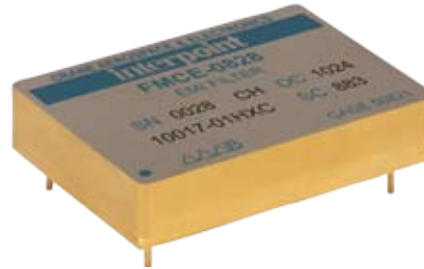
# FMCE-0828 EMI Input Filters

## 28 VOLT INPUT – 8 AMP

### FEATURES

#### Attenuation to 60 dB at 500 kHz, typical

- Operating temperature -55° to +125°C
- Nominal 28 V input, -0.5 to 50 V operation
- Transient rating -0.5 to 80 V for 1 second
- Up to 8 A throughput current over the full input voltage range of -0.5 to 50 V
- Compliant to
  - MIL-STD-461C CE03
  - MIL-STD-461D, E and F CE102
  - MIL-STD-461C CS01
  - MIL-STD-461D, E and F CS101
- Compatible with MIL-STD-704 A-E 28 VDC power bus



#### INPUT VOLTAGE AND CURRENT

Input (V)	Current (A)
28	8

### DESCRIPTION

The FMCE-0828™ EMI filters are specifically designed to reduce the reflected input ripple current of Interpoint's high frequency DC/DC converters. FMCE-0828 filters minimize electromagnetic interference (EMI) for the MFL, MOR, MTR, MHV and MHF+ Series of converters. These filters are intended for use in 28 volt applications which must meet MIL-STD-461C CE03 and CS01 and/or MIL-STD-461D, E and F CE102 and CS101 levels of conducted emissions. One filter can be used with multiple converters up to the rated output current of the filter.

#### INPUT RIPPLE AND EMI

Switching DC/DC converters naturally generate two noise components on the power input line: differential noise and common mode noise. Input ripple current refers to both of these components. Differential noise occurs between the positive input and input common. Most Interpoint converters have an input filter that reduces differential noise which is sufficient for many applications. Common mode noise occurs across stray capacitances between the converter's power train components and the baseplate (bottom of the package) of the converter.

Where low noise currents are required to meet CE03 of MIL-STD-461C and/or CE102 of ML-STD-461D, E and F, a power line filter is needed. The FMCE-0828 EMI power line filters reduce the common mode and differential noise generated by the converters. FMCE-0828 filters reduce input ripple current by 60 dB, typical, at 500 kHz and 1 MHz when used in conjunction with Interpoint's DC/DC converters.

Place the filter as close as possible to the converter for optimum performance. The baseplates of the filter and the converter should be connected with the shortest and widest possible conductors.

#### TRANSIENTS

A transient of -0.5 to 80 V (0.5 ohm source impedance) will not damage the filter but will be passed on to the converter:

#### OPERATION OVER TEMPERATURE

The FMCE-0828 Series filters are rated for full power operation from -55°C to +125°C case temperature. Current is derated linearly to 80% at +135°C case temperature.

#### INSERTION LOSS

The maximum dc insertion loss at full load and nominal input voltage represents a power loss of less than 3%.

#### PACKAGING

FMCE-0828 filters are sealed in metal hermetic, down-leaded packages non-flanged (case F5) or flanged (case J6). Also available in a side-leaded package (case U).

# FMCE-0828 EMI Input Filters

## 28 VOLT INPUT – 8 AMP

### OPERATING CONDITIONS AND CHARACTERISTICS

#### Input Voltage Range

- Continuous -0.5 to 50 VDC
- Transient -0.5 to 80 V for 1 second

#### Lead Soldering Temperature (10 sec per lead)

- 300°C

#### Storage Temperature Range (Case)

- -65°C to +150°C

#### Case Operating Temperature ( $T_C$ )

- -55°C to +125°C full power
- -55°C to +135°C absolute

#### Derating Input/Output Current

- Linearly from 100% at 125°C to 80% at 135°C

#### Isolation ( $T_C = 25^\circ\text{C}$ )

- 100 megohm minimum at 500 VDC

#### Electrostatic Discharge (ESD) Sensitivity per MIL-PRF-38534

- Classification 3B, 8000 V

### MECHANICAL AND ENVIRONMENTAL

#### Size (maximum)

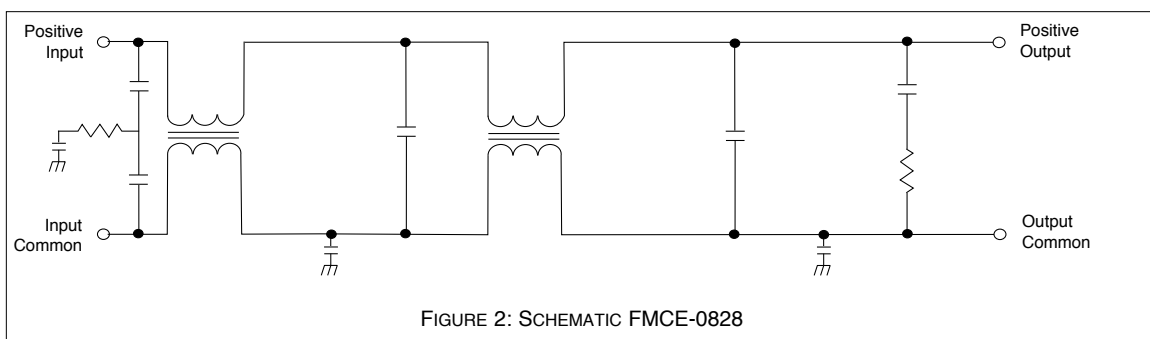
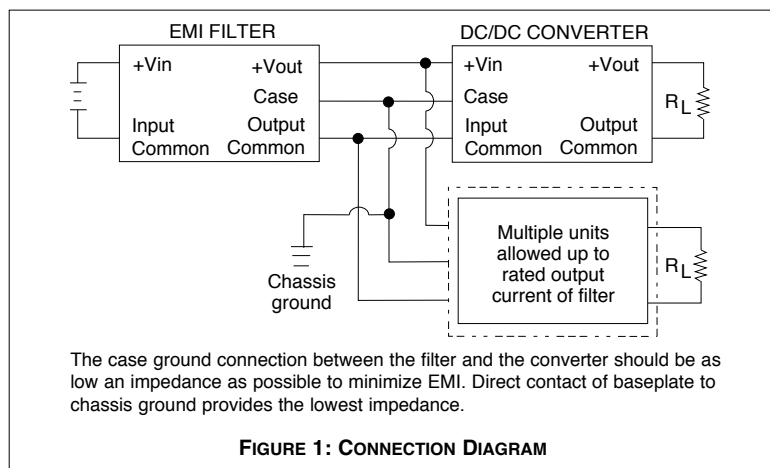
- Case F5, down-leaded
  - ▶ 1.945 x 1.350 x 0.405 inches (49.40 x 34.29 x 10.29 mm)
- Case J6, down-leaded flanged
  - ▶ 2.720 x 1.350 x 0.405 inches (69.09 x 34.29 x 10.29 mm).
- Case U, side-leaded
  - ▶ 3.005 x 1.505 x 0.400 inches (76.33 x 38.23 x 10.16 mm)

#### Weight (maximum)

- 60 grams cases F5 and J6
- 86 grams typical case U

#### Screening

The FMCE-0828 EMI Input filter offers Standard, /ES or 883, Class H, QML screening. See Screening Tables 1 and 2 for more information.



# FMCE-0828 EMI Input Filters

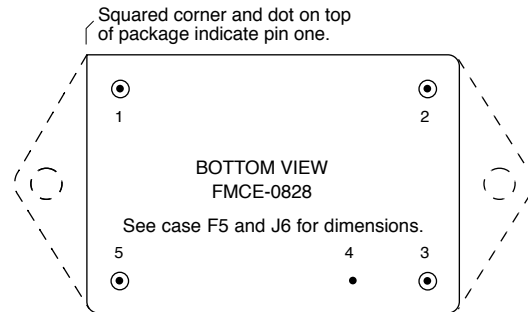
## 28 VOLT INPUT – 8 AMP

### PIN OUT DOWN-LEADED MODEL

PIN OUT	
Pin	Designation
1	Positive Input
2	Positive Output
3	Output Common
4	Case Ground <sup>1</sup>
5	Input Common

**Note**

- Although the down-leaded packages can be connected to chassis ground with the case ground lead, direct contact of the base plate to chassis improves EMI performance.



Dotted line shows flanged package option.

FIGURE 3: PIN OUT FMCE-0828

### PIN OUT SIDE-LEADED MODEL

PIN OUT	
Pin	Designation
1, 2, 3	Positive Input
4, 5, 6	Input Common
7, 8, 9	Output Common
10, 11, 12	Positive Output
Bottom of case	Case Ground

**Notes**

- All pins must be connected.
- The baseplate is the only case ground connection and should directly contact chassis ground.

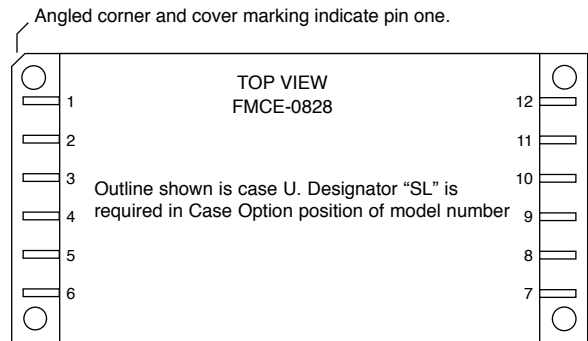


FIGURE 3: PIN OUT FMCE-0828-SL



# FMCE-0828 EMI Input Filters

## 28 VOLT INPUT – 8 AMP

Electrical Characteristics: -55° to +125°C T<sub>C</sub>, nominal Vin, unless otherwise specified.

MODEL		FMCE-0828			UNITS
PARAMETER	CONDITIONS	MIN	TYP	MAX	
INPUT VOLTAGE	CONTINUOUS	-0.5	28	50	VDC
	TRANSIENT, 1 sec <sup>1, 2</sup>	-0.5	—	80	V
NOISE REJECTION	500 kHz	50	60	—	dB
	1 MHz	50	60	—	
DC RESISTANCE (R <sub>DC</sub> ) AT MAXIMUM CURRENT	25°C	—	0.080	0.100	Ω
	T <sub>C</sub> = -55 AND +125°C <sup>1</sup>	—	0.095	0.110	
CAPACITANCE	ANY PIN TO CASE T <sub>C</sub> = 25°C	50,000	60,000	70,000	pF
OUTPUT VOLTAGE <sup>3</sup>	STEADY STATE	$V_{OUT} = V_{IN} - I_{IN} (R_{DC})$			VDC
OUTPUT CURRENT	STEADY STATE V <sub>IN</sub> = 0 - 50 VDC	—	—	8	A
POWER DISSIPATION AT MAXIMUM CURRENT <sup>1</sup>	T <sub>C</sub> = 25°C	—	5.1	6.4	W
	T <sub>C</sub> = 125°C	—	6.1	7.0	

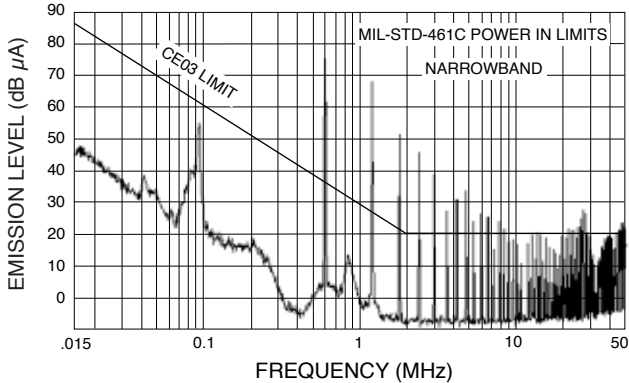
Note

1. **Guaranteed by design, not tested.**
2. 0.5 ohm source impedance
3. Typical applications result in Vout within 3% of Vin.

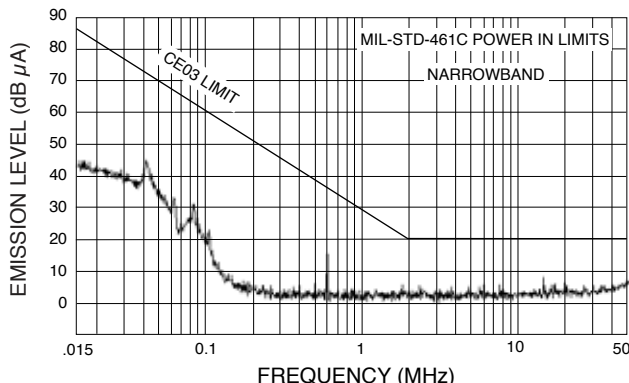
# FMCE-0828 EMI Input Filters

## 28 VOLT INPUT – 8 AMP

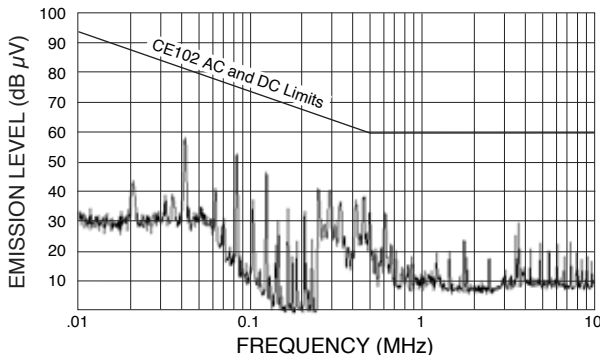
Typical Performance Curves: 25°C T<sub>C</sub>, nominal Vin, unless otherwise specified.



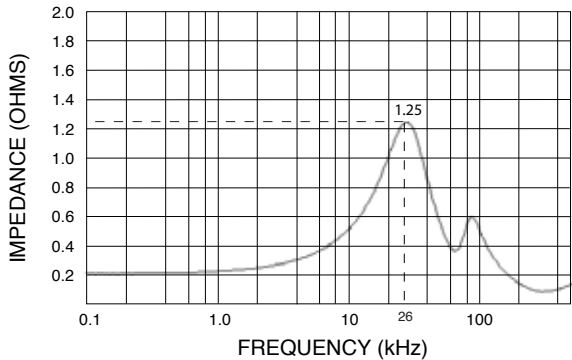
Three paralleled and synchronized MFL2815D converters without filtering.  
**FIGURE 5**



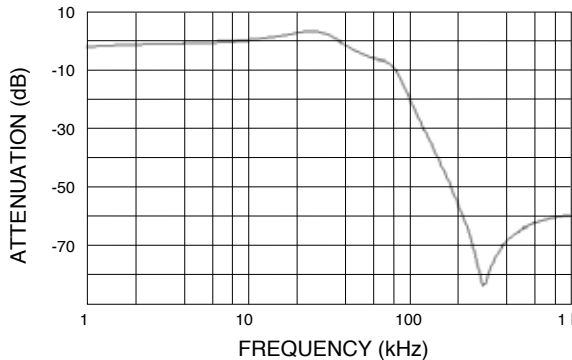
CE03: Three paralleled and synchronized MFL28 converters with an FMCE-0828.  
**FIGURE 6**



CE102: Three paralleled and synchronized MFL28 converters with an FMCE-0828.  
**FIGURE 7**



FMCE-0828 Output Impedance (measured at the output with input pins shorted)  
**FIGURE 8**

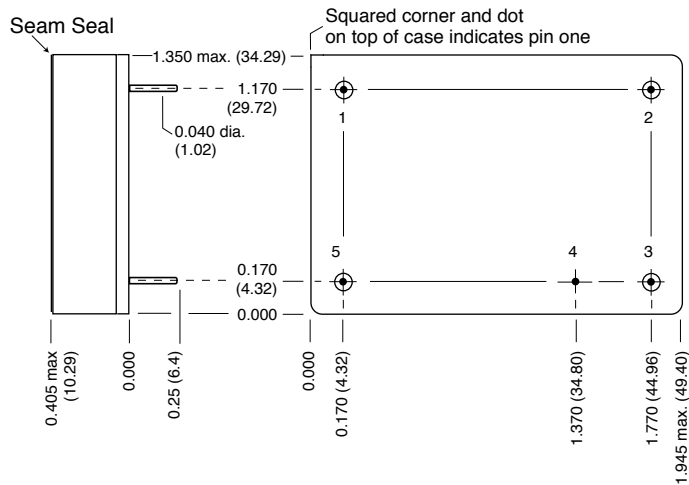


FMCE-0828 Attenuation  
**FIGURE 9**

# FMCE-0828 EMI Input Filters – Cases

## 28 VOLT INPUT – 8 AMP

BOTTOM VIEW CASE F5



**Case dimensions in inches (mm)**

Tolerance  $\pm 0.005$  (0.13) for three decimal places  
 $\pm 0.01$  (0.3) for two decimal places  
 unless otherwise specified

**CAUTION**

Heat from reflow or wave soldering may damage the device.  
 Solder pins individually with heat application not exceeding 300°C for 10 seconds per pin.

**Materials**

Header Cold Rolled Steel/Nickel/Gold  
 Cover Kovar/Nickel  
 Pins #52 alloy/Gold ceramic seal  
 Seal hole  $0.120 \pm 0.002$  ( $2.34 \pm 0.05$ )

Case F5 FMCE-0828, Rev C, 20100412

Please refer to the numerical dimensions for accuracy. All information is believed to be accurate, but no responsibility is assumed for errors or omissions. Interpoint reserves the right to make changes in products or specifications without notice.  
 Copyright © 1999-2010 Interpoint Corp. All rights reserved.

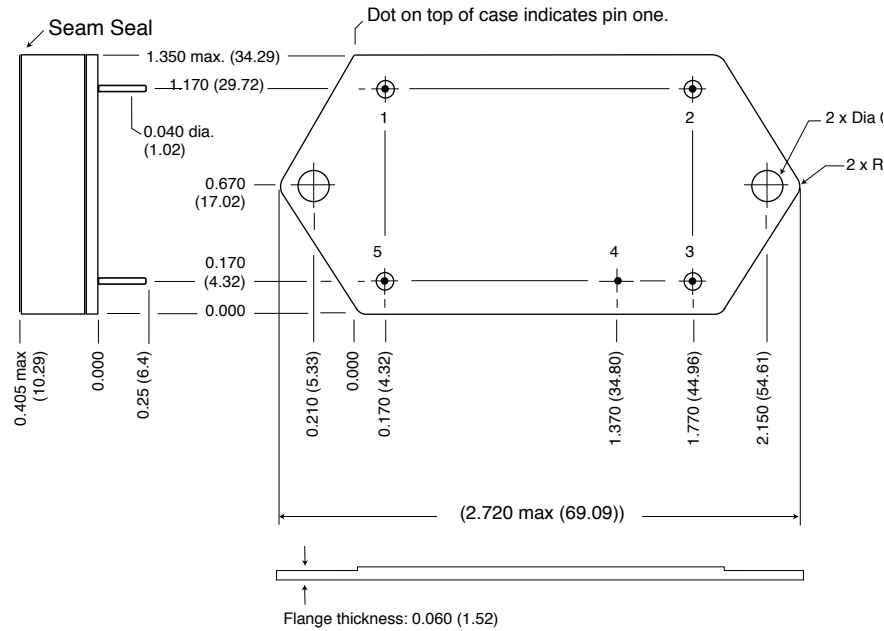
FIGURE 11: CASE F5

# FMCE-0828 EMI Input Filters – Cases

## 28 VOLT INPUT – 8 AMP

### BOTTOM VIEW CASE J6

Flanged cases: Designator "F" required in Case Option position of model number.



#### Case dimensions in inches (mm)

Tolerance  $\pm 0.005$  (0.13) for three decimal places  
 $\pm 0.01$  (0.3) for two decimal places  
 unless otherwise specified

#### CAUTION

Heat from reflow or wave soldering may damage the device. Solder pins individually with heat application not exceeding 300°C for 10 seconds per pin.

#### Materials

Header Cold Rolled Steel/Nickel/Gold  
 Cover Kovar/Nickel  
 Pins #52 alloy/Gold ceramic seal.  
 Seal Hole: 0.120  $\pm$  0.002 (3.04  $\pm$  0.05)

Case J6 FMCE-0828, Rev C, 20100419

Please refer to the numerical dimensions for accuracy. All information is believed to be accurate, but no responsibility is assumed for errors or omissions. Interpoint reserves the right to make changes in products or specifications without notice. Copyright © 1999-2010 Interpoint Corp. All rights reserved.

FIGURE 12: CASE J6



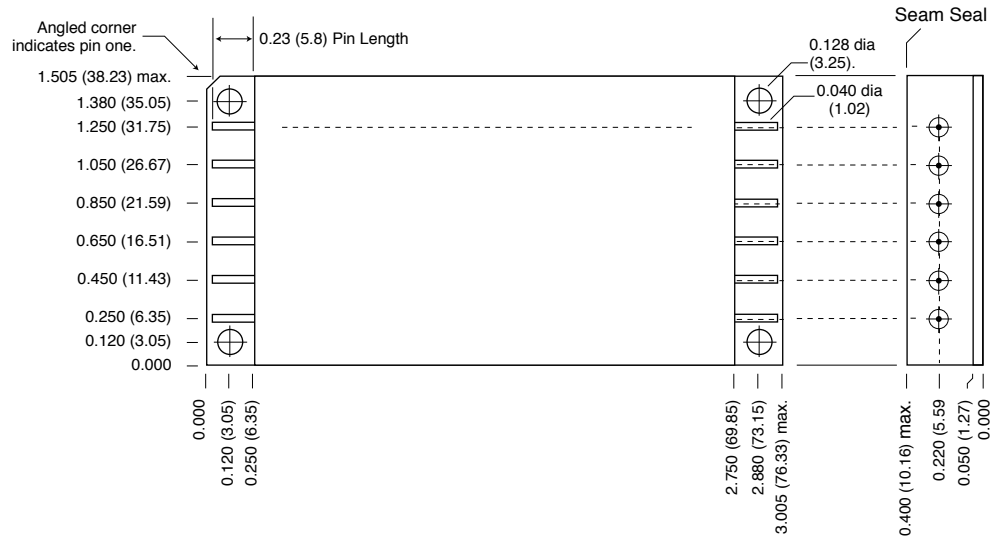
# FMCE-0828 EMI Input Filters – Cases

## 28 VOLT INPUT – 8 AMP

### TOP VIEW CASE U\*

Side-leaded case

\*Designator “SL” required in Case Option position of model number



#### Case dimensions in inches (mm)

Tolerance  $\pm 0.005$  (0.13) for three decimal places  
 $\pm 0.01$  (0.3) for two decimal places  
 unless otherwise specified

#### CAUTION

Heat from reflow or wave soldering may damage the device. Solder pins individually with heat application not exceeding 300°C for 10 seconds per pin.

#### Materials

Header Cold Rolled Steel/Nickel/Gold  
 Cover Kovar/Nickel  
 Pins #52 alloy/Gold, compression glass seal  
 Seal Hole: 0.100  $\pm$  0.002 (2.54  $\pm$  0.05)

Case U EMI SL, Rev F, 20100401

Please refer to the numerical dimensions for accuracy. All information is believed to be accurate, but no responsibility is assumed for errors or omissions. Interpoint reserves the right to make changes in products or specifications without notice.  
 Copyright © 1999-2010 Interpoint Corp. All rights reserved.

FIGURE 13: CASE U

# FMCE-0828 EMI Input Filters

## 28 VOLT INPUT – 8 AMP

### STANDARD AND /ES (NON-QML) AND /883 (CLASS H, QML) PRODUCT ELEMENT EVALUATION

COMPONENT-LEVEL TEST PERFORMED	STANDARD AND /ES NON-QML <sup>1</sup>		/883 CLASS H QML	
	M/S <sup>2</sup>	P <sup>3</sup>	M/S <sup>2</sup>	P <sup>3</sup>
Element Electrical (probe)	yes	no	yes	yes
Element Visual	no	no	yes	yes
Internal Visual	no	N/A	yes	N/A
Final Electrical	no	no	yes	yes
Wire Bond Evaluation <sup>4</sup>	no	no	yes	yes
SLAM™/C-SAM: Input capacitors only (Add'l test, not req. by H)	no	no	no	yes

**Notes:**

1. Standard and /ES, non-QML products, do not meet all of the requirements of MIL-PRF-38534.
2. M/S = Active components (Microcircuit and Semiconductor Die)
3. P = Passive components
4. Not applicable to EMI filters that have no wire bonds.

**Definitions:**

Element Evaluation: Component testing/screening per MIL-STD-883 as determined by MIL-PRF-38534  
 SLAM™: Scanning Laser Acoustic Microscopy  
 C-SAM: C - Mode Scanning Acoustic Microscopy

SCREENING TABLE 1: ELEMENT EVALUATION

# FMCE-0828 EMI Input Filters

## 28 VOLT INPUT – 8 AMP

### STANDARD AND /ES (NON-QML) AND /883 (CLASS H, QML) PRODUCT ENVIRONMENTAL SCREENING

TEST PERFORMED	125°C STANDARD NON-QML <sup>1</sup>	125°C /ES NON-QML <sup>1</sup>	/883 CLASS H QML
Pre-cap Inspection Method 2017, 2032	yes	yes	yes
Temperature Cycle (10 times) Method 1010, Cond. C, -65°C to 150°C, ambient Method 1010, Cond. B, -55°C to 125°C, ambient	no no	no yes	yes no
Constant Acceleration Method 2001, 3000 g Method 2001, 500 g	no no	no yes	yes no
Burn-in <sup>2</sup> Method 1015, 125°C case, typical 96 hours 160 hours	no no	yes no	no yes
Final Electrical Test MIL-PRF-38534, Group A Subgroups 1 through 6: -55°C, +25°C, +125°C case Subgroups 1 and 4: +25°C case	no yes	no yes	yes no
Hermeticity Test Fine Leak, Method 1014, Cond. A Gross Leak, Method 1014, Cond. C Gross Leak, Dip (1 x 10 <sup>-3</sup> )	no no yes	yes yes no	yes yes no
Final visual inspection Method 2009	yes	yes	yes

Test methods are referenced to MIL-STD-883 as determined by MIL-PRF-38534.

Notes:

- Standard and /ES, non-QML products, do not meet all of the requirements of MIL-PRF-38534.
- Burn-in temperature designed to bring the case temperature to +125°C

SCREENING TABLE 2: ENVIRONMENTAL SCREENING