

**PLEASE CHECK WWW.MOLEX.COM FOR LATEST PART INFORMATION**

**Part Number:** **0504547325**  
**Status:** **Active**  
**Description:** Circuit Breaker Terminal for 250-300MCM AWG, Closed Uninsulated Brazed Barrel, Stud Size M10, Oxygen-Free Copper, Length 61.30mm (2.413")

**Documents:**

[Drawing \(PDF\)](#) [RoHS Certificate of Compliance \(PDF\)](#)  
[Product Specification PS-50449-002 \(PDF\)](#)

**Agency Certification**

UL E134962

**General**

Product Family Ring and Spade Terminals  
 Series 50454  
 Crimp Quality Equipment Yes  
 Mil-Spec N/A  
 Product Name CB (Circuit Breaker)  
 Type Rectangular

**Physical**

Barrel Type Closed - Brazed  
 Insulation None  
 Material - Plating Mating Tin  
 Packaging Type Bag  
 Stud Size M10  
 Termination Interface: Style Crimp or Compression  
 Wire Size AWG 250MCM, 300MCM  
 Wire Size mm<sup>2</sup> 117.2 - 152.05

**Material Info**

**Reference - Drawing Numbers**

Product Specification PS-50449-002  
 Sales Drawing SD-50454-7\*25



Series

image - Reference only

**EU RoHS**

**ELV and RoHS Compliant**  
**REACH SVHC**  
 Not Reviewed  
**Halogen-Free Status**  
 Not Reviewed

**China RoHS**



**Need more information on product environmental compliance?**

Email [productcompliance@molex.com](mailto:productcompliance@molex.com)  
 For a multiple part number RoHS Certificate of Compliance, [click here](#)

Please visit the [Contact Us](#) section for any non-product compliance questions.

**Search Parts in this Series**

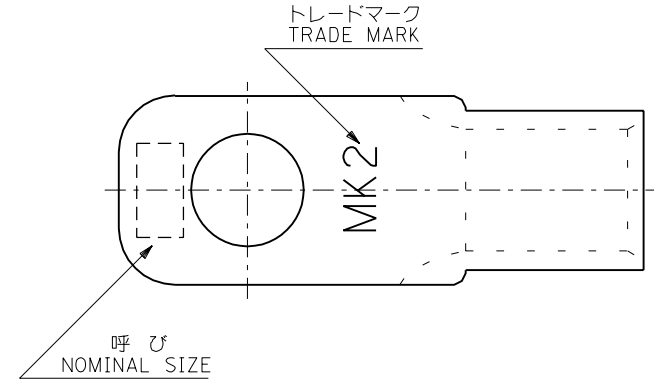
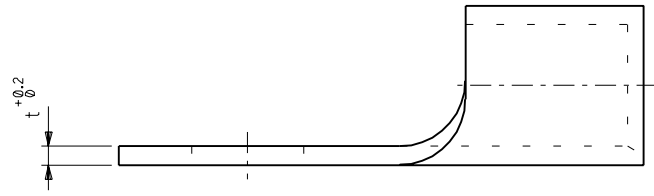
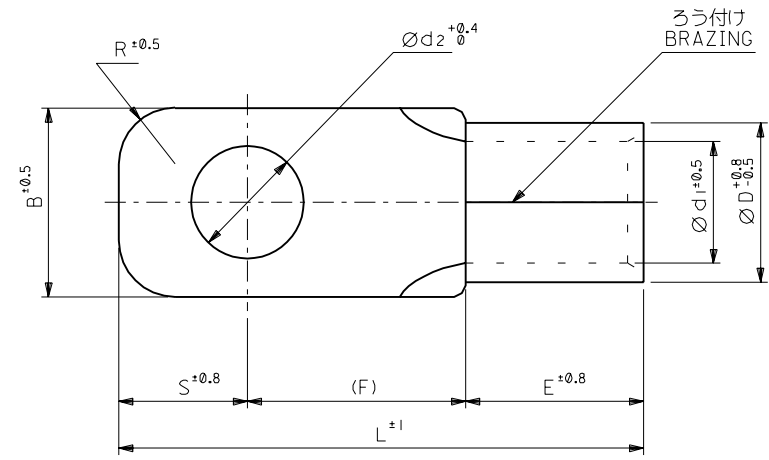
50454Series

**Application Tooling | FAQ**

*Tooling specifications and manuals are found by selecting the products below. Crimp Height Specifications are then contained in the Application Tooling Specification document.*

**Japan**

| Description                                | Product #                  |
|--|----------------------------|
| Tool Kit For 57343-9012                    | <a href="#">0573439001</a> |
| Battery Type Hand Crimper For JIS Terminal | <a href="#">0573439004</a> |



注記  
NOTES

- 材質 MATERIAL  
端子: 無酸素銅, スズメッキ  
TERMINAL: OXYGEN FREE HIGH CONDUCTIVITY COPPER, TIN PLATING  
ろう付け部: 銀ろう  
PART OF BRAZING: SILVER SOLDER
- 適用電線 APPLICABLE WIRE RANGE

| 単線<br>SOLID WIRE | 撚線<br>STRANDED WIRE          |
|------------------|------------------------------|
| Ø11.68-13.8 mm   | 117.2-152.05 mm <sup>2</sup> |

|     |      |      |      |         |            |      |      |      |      |                        |            |
|-----|------|------|------|---------|------------|------|------|------|------|------------------------|------------|
| 3.2 | 13.0 | 61.3 | 12.0 | 3.7     | 22.3       | 27.0 | 19.5 | 26.5 | 22.0 | CB150-12S              | 50454-7425 |
|     | 10.5 | 61.8 | 12.5 | 7.3     |            |      |      |      | 25.0 | CB150-10               | 50454-7325 |
|     | 8.4  | 61.3 | 12.0 | 3.7     |            |      |      |      | 22.0 | CB150-8S               | 50454-7125 |
|     | 60.3 | 11.0 | 6.4  | CB150-8 | 50454-7025 |      |      |      |      |                        |            |
| t   | d2   | L    | S    | R       | (F)        | E    | d1   | D    | B    | 呼<br>び<br>NOMINAL SIZE | ENG. NO.   |

|                         |       |        |                      |            |         |          |          |  |                    |                    |
|-------------------------|-------|--------|----------------------|------------|---------|----------|----------|--|--------------------|--------------------|
| 角度 ANGLE                | ▽3°   |        |                      |            |         |          |          |  | 材料 MATERIAL        | 注記参照<br>SEE NOTES  |
| 30以上 OVER               | +0.5  |        |                      |            |         |          |          |  | 仕上げ FINISH         | 注記参照<br>SEE NOTES  |
| 10以上 30未満 UNDER         | +0.25 |        |                      |            |         |          |          |  | 適用電線範囲 WIRE RANGE  | 注記参照<br>SEE NOTES  |
| 10未満 UNDER              | +0.2  |        |                      |            |         |          |          |  | 被覆外径 INS. RANGE    | —                  |
| 一般公差 GENERAL TOLERANCES |       | 記号 LTR | 変更内容 REVISION RECORD | DR. / CHK. | 日付 DATE | 98/10/02 | 98/10/02 |  | DRAWN BY '98/09/30 | CHK'D BY '98/10/02 |
|                         |       |        | 新規作成 (JC90J24)       |            |         |          |          |  | H.IIJIMA           | T.YAMAGUCHI        |
|                         |       |        |                      |            |         |          |          |  | APP'D BY '98/10/02 | 尺度 SCALE           |
|                         |       |        |                      |            |         |          |          |  | M.FUKUSHIMA        | —                  |

|  |          |
|--|----------|
| MOLEX-JAPAN CO.,LTD.<br>日本モレックス株式会社  |          |
| REVISE ONLY ON CAD SYSTEM  |          |
| TITLE 名称<br>RING TERMINAL (FOR BREAKER)<br>(銅線用裸圧着端子)<br>(NON-INSULATED CRIMP-STYLE<br>TERMINAL FOR COPPER CONDUCTORS) |          |
| DWG. NO.<br>SD-50454-7*25  | REV<br>0 |