

PLEASE CHECK WWW.MOLEX.COM FOR LATEST PART INFORMATION

Part Number: **0462355003**
Status: **Active**
Overview: Micro-Fit, 3.0™
Description: Micro-Fit 3.0™ High Mating Cycle, Reduced Mating Force, Crimp Terminal, Female, with 0.38µm (15µ") Selective Gold (Au) over Nickel (Ni), 26-30 AWG, with Lubricant

Documents:

[Drawing \(PDF\)](#) [RoHS Certificate of Compliance \(PDF\)](#)
[Product Specification PS-46235-001 \(PDF\)](#)

General

Product Family	Crimp Terminals
Series	46235
Comments	90% increase in mating cycles (250 cycles) and up to 50% reduction in mating force
Crimp Quality Equipment	Yes
Overview	<u>Micro-Fit, 3.0™</u>
Product Name	Micro-Fit 3.0™

Physical

Durability (mating cycles max)	250
Gender	Female
Material - Metal	Copper-Zinc-Tin
Material - Plating Mating	Gold
Material - Plating Termination	Nickel
Packaging Type	Reel
Plating min: Mating (µin)	0.38
Plating min: Mating (µm)	15
Plating min: Termination (µin)	50
Plating min: Termination (µm)	1.27
Termination Interface: Style	Crimp or Compression
Wire Insulation Diameter	1.27mm (.050") max.
Wire Size AWG	26, 28, 30
Wire Size mm²	N/A

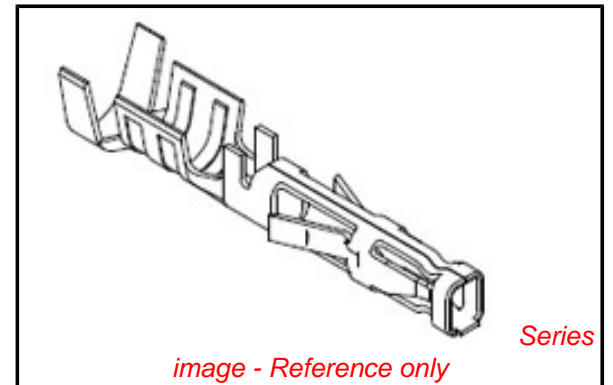
Electrical

Voltage - Maximum	600V
-------------------	------

Material Info

Reference - Drawing Numbers

Packaging Specification	PK-46235-001
Product Specification	PS-46235-001
Sales Drawing	SD-46235-001
Test Summary	TS-46235-001, TS-46235-501



EU RoHS

ELV and RoHS Compliant
REACH SVHC Contains SVHC: No Halogen-Free Status

Not Reviewed

Need more information on product environmental compliance?

Email productcompliance@molex.com
 For a multiple part number RoHS Certificate of Compliance, [click here](#)

Please visit the [Contact Us](#) section for any non-product compliance questions.

China RoHS



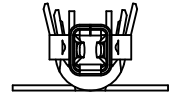
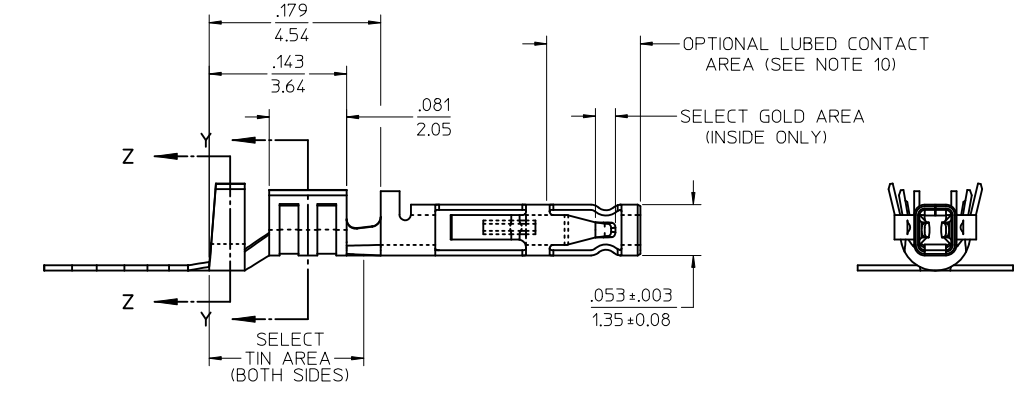
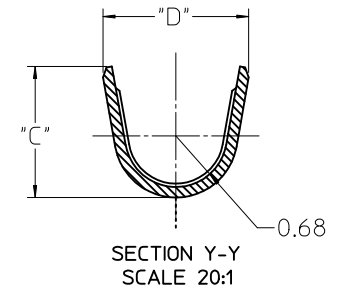
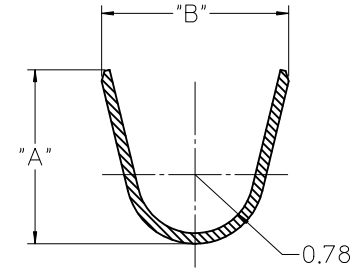
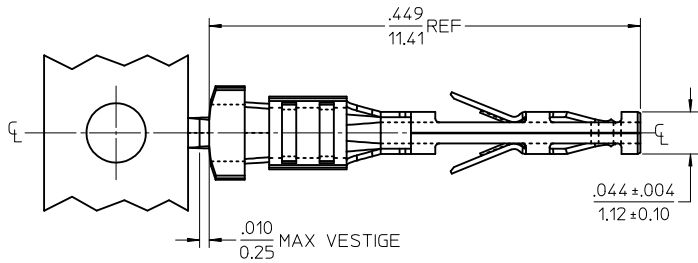
Search Parts in this Series

46235Series

Use With

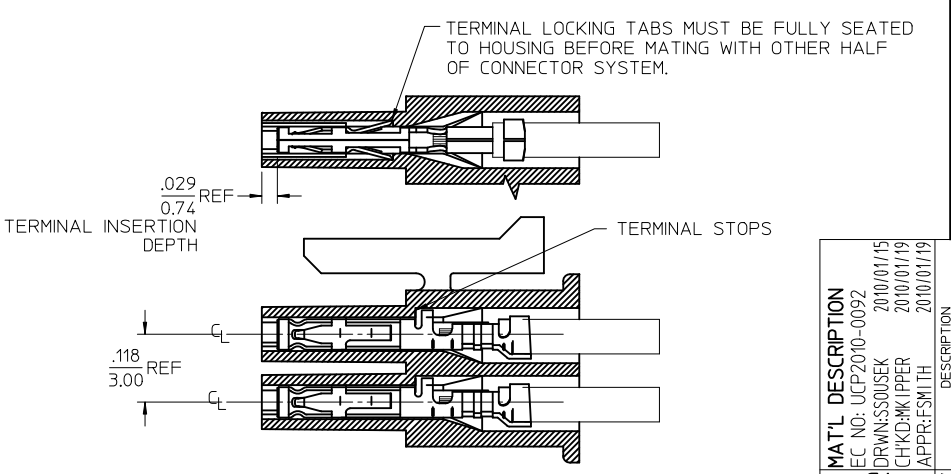
Micro-Fit 3.0™ Receptacle Housing [43025](#) , [43645](#) , [44133](#)

	13	12	11	10	9	8	7	6	5	4	3	2	1
J	MATERIAL NUMBER	WIRE SIZE	PLATING OPTION	LUBRICATION	MAX INSULATION	"A" ±.012 ±0.30	"B" ±.012 ±0.30	"C" ±.012 ±0.30	"D" ±.012 ±0.30				
	46235-0001	20-24	1	NO	.073	.091	.098	.068	.073				
	46235-0002		2		1.85	2.30	2.48	1.73	1.93				
	46235-0003	26-30	1		.050	.075	.090	.048	.069				
	46235-0004		2	1.27	1.90	2.29	1.22	1.75					
	46235-5001	20-24	1	YES	.073	.091	.098	.068	.073				
	46235-5002		2		1.85	2.30	2.48	1.73	1.93				
I	46235-5003	26-30	1		.050	.075	.090	.048	.069				
	46235-5004		2		1.27	1.90	2.29	1.22	1.75				



NOTES

- 1) MATERIAL: COPPER ALLOY
- 2) TERMINAL PLATING:
 - 1) .000015/0.00038 MIN. SELECT GOLD .000100/0.00254 MIN. SELET TIN ALL OVER .000050/0.00127 MIN. NICKEL OVERALL.
 - 2) .000030/0.00076 MIN. SELECT GOLD .000100/0.00254 MIN. SELET TIN ALL OVER .000050/0.00127 MIN. NICKEL OVERALL.
- 3) PRODUCT SPECIFICATION: PS-46235-001
- 4) PACKAGING SPECIFICATION: PK-46235-001
- 5) TERMINAL FOR USE IN RECEPTACLE SERIES 43025, 43645 AND 44133.
- 6) FOR TERMINAL ORIENTATION IN RECEPTACLE SEE PICTORIAL IN LOWER LEFT CORNER
- 7) THIS TERMINAL IS DESIGNED IN METRIC
- 8) MOLEX RECOMMENDS THE USE OF MICRO-FIT TEST PLUG (SERIES 44242) WHENEVER CONTINUITY TESTING IS PERFORMED. TEST PLUGS MUST NOT BE USED TO MAKE OR BREAK UNDER LOAD. MOLEX DOES NOT RECOMMEND USING STANDARD MATING COMPONENTS (SERIES 43020, 43045, 43640, 43650, OR 43031) FOR HARNESS TESTING PURPOSES
- 9) THIS PART CONFORMS TO CLASS B REQUIREMENTS OF COSMETIC SPEC PS-45499-002
- 10) MOLEX PROPRIETARY CONTACT LUBRICATION EB-1 IS APPLIED IN THE CONTACT AREA AS SHOWN. SEE CHART FOR APPLICABLE PART NUMBERS.



MATL DESCRIPTION	EC NO: UCP2010-0092	2010/01/15	2010/01/19	2010/01/19
DRWN:SSOUSEK	CHKD:MKIPPER	APPR:FSMITH		
REV	DESCRIPTION			
C1				

QUALITY SYMBOLS ▽=0 ▽=0	GENERAL TOLERANCES (UNLESS SPECIFIED)	DIMENSION STYLE IN/MM	SCALE 10:1	DESIGN UNITS METRIC	THIRD ANGLE PROJECTION
	mm INCH	DRAWN BY TGREGORI	DATE 2007/02/05		
	4 PLACES ± --- ± ---	CHECKED BY JCOMERC I	DATE 2007/03/19		
	3 PLACES ± --- ±.010	APPROVED BY JCOMERC I	DATE 2007/03/19		
	2 PLACES ± 0.25 ±.014				
	1 PLACE ± 0.35 ± ---				
	ANGULAR ± 1/2°				
DRAFT WHERE APPLICABLE MUST REMAIN WITHIN DIMENSIONS	SEE CHART	MATERIAL NO. DOCUMENT NO.	MOLEX INCORPORATED		
			SD-46235-001		
			SHEET NO. 1 OF 1		
			THIS DRAWING CONTAINS INFORMATION THAT IS PROPRIETARY TO MOLEX INCORPORATED AND SHOULD NOT BE USED WITHOUT WRITTEN PERMISSION		