

**PLEASE CHECK WWW.MOLEX.COM FOR LATEST PART INFORMATION**

**Part Number:** **0039288020**  
**Status:** **Active**  
**Overview:** minifit\_jr  
**Description:** 4.20mm (.165") Pitch Mini-Fit Jr.™ Header, Dual Row, Vertical, without Snap-in Plastic Peg PCB Lock, 2 Circuits, PA Polyamide Nylon 6/6 94V-0, Tin (Sn) Plating, without Drain Holes

**Documents:**

[3D Model](#)  
[Drawing \(PDF\)](#)

[RoHS Certificate of Compliance \(PDF\)](#)

**Agency Certification**

CSA	LR19980
TUV	R72081037
UL	E29179

**General**

Product Family	PCB Headers
Series	<u>5566</u>
Application	Wire-to-Board
Comments	Current = 13A max. per circuit when header is mated to a receptacle loaded with <u>45750</u> Mini-Fit Plus HCS™ Crimp Terminal Crimped to to 16 AWG wire. . See Molex product specification PS-45750-001 for additional current de-rating information.. Glow Wire Equivalent Part Number <u>50361882</u> . Square Pin, Solder Type
Overview	<u>minifit_jr</u>
Product Name	Mini-Fit Jr.™

**Physical**

Breakaway	No
Circuits (Loaded)	2
Circuits (maximum)	2
Color - Resin	Natural
Durability (mating cycles max)	30
First Mate / Last Break	No
Flammability	94V-0
Glow-Wire Compliant	No
Guide to Mating Part	No
Keying to Mating Part	None
Lock to Mating Part	Yes
Material - Metal	Brass
Material - Plating Mating	Tin
Material - Plating Termination	Tin
Material - Resin	Nylon
Number of Rows	2
Orientation	Vertical
PC Tail Length (in)	0.138 In
PC Tail Length (mm)	3.50 mm
PCB Locator	Yes
PCB Retention	None
PCB Thickness Recommended (in)	0.062 In
PCB Thickness Recommended (mm)	1.60 mm
Packaging Type	Bag
Pitch - Mating Interface (in)	0.165 In
Pitch - Mating Interface (mm)	4.20 mm

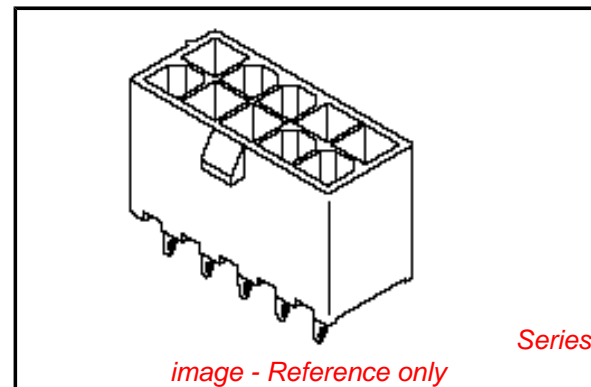


image - Reference only

**EU RoHS**

**ELV and RoHS Compliant**  
**REACH SVHC Contains SVHC: No**  
**Halogen-Free Status**

**China RoHS**



**Need more information on product environmental compliance?**

Email [productcompliance@molex.com](mailto:productcompliance@molex.com)  
 For a multiple part number RoHS Certificate of Compliance, [click here](#)

Please visit the [Contact Us](#) section for any non-product compliance questions.

**Search Parts in this Series**

5566Series

**Mates With**

5557 Mini-Fit Jr.™ Receptacle Housing

Pitch - Term. Interface (in)	0.165 In
Pitch - Term. Interface (mm)	4.20 mm
Plating min: Mating (µin)	35
Plating min: Mating (µm)	0.90
Plating min: Termination (µin)	100
Plating min: Termination (µm)	2.50
Polarized to Mating Part	Yes
Polarized to PCB	Yes
Shrouded	Fully
Stackable	No
Surface Mount Compatible (SMC)	No
Temperature Range - Operating	-40°C to +105°C
Termination Interface: Style	Through Hole

### **Electrical**

Current - Maximum per Contact	13A
Voltage - Maximum	600V

### **Material Info**

Old Part Number	5566-02A-210
-----------------	--------------

### **Reference - Drawing Numbers**

Packaging Specification	PK-5566, SPK-5566-002
Product Specification	RPS-5557-036, RPS-5557-048, RPS-5557-054, RPS-5557-058
Sales Drawing	SD-5566-002, SD-5566-NA**-*

This document was generated on 05/21/2010

**PLEASE CHECK [WWW.MOLEX.COM](http://WWW.MOLEX.COM) FOR LATEST PART INFORMATION**

CIRCUIT SIZE	DIM. "A"	DIM. "B"
2	.21 (5.4)	—
4	.38 (9.6)	.17 (4.2)
6	.54 (13.8)	.33 (8.4)
8	.71 (18.0)	.50 (12.6)
10	.87 (22.2)	.66 (16.8)
12	1.04 (26.4)	.83 (21.0)
14	1.20 (30.6)	.99 (25.2)
16	1.37 (34.8)	1.16 (29.4)
18	1.54 (39.0)	1.32 (33.6)
20	1.70 (43.2)	1.49 (37.8)
22	1.87 (47.4)	1.65 (42.0)
24	2.03 (51.6)	1.82 (46.2)

**LEGEND**

BASE NUMBER 5566 - N \* \* \* \* - \* - \*

CIRCUIT SIZE \_\_\_\_\_

ASS'Y TYPE \_\_\_\_\_

A : WITHOUT DRAIN HOLES  
B : WITH DRAIN HOLES

TERMINAL MATERIAL \_\_\_\_\_  
SEE NOTE 1

TERMINAL PLATING \_\_\_\_\_  
SEE NOTE 2

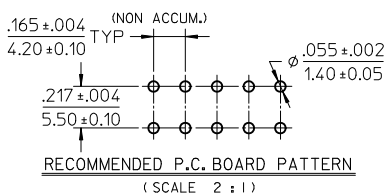
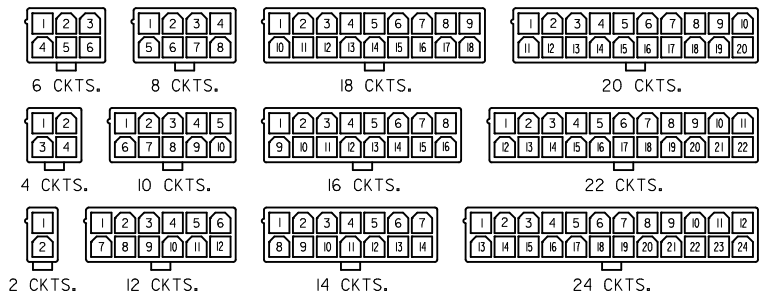
HOUSING MATERIAL \_\_\_\_\_  
SEE NOTE 1

COLOR OR PACKAGING \_\_\_\_\_

BL : BLACK RE : RED GR : GRAY  
BU : BLUE YE : YELLOW GRE : GREEN  
TA : TRAY PACKAGING SEE NOTE 4

**NOTES:**

- MATERIALS:**  
HOUSING:  
"BLANK"=NYLON 6/6, UL94V-2, COLOR: NATURAL  
"210"=NYLON 6/6, UL94V-0, COLOR: NATURAL  
"400"=NYLON 6/6, UL94V-0, COLOR: BLACK  
TERMINALS:  
"BLANK" = BRASS  
"PB" = PHOSPHOR BRONZE
- TERMINAL PLATING:**  
"BLANK" = BRIGHT TIN 000035/(0.00090) MIN.  
OVER COPPER .000020/(0.00050) MIN. (BRASS)  
TIN .000035/(0.00090) MIN. REFLOW TREATMENT  
OR BRIGHT TIN .000035/(0.00090) MIN. (PHOSPHOR BRONZE)  
"S"=.000100/(0.00254) MIN. BRIGHT TIN OVER  
.000050/(0.00127) MIN NICKEL  
"GS2"=.000015/(0.00038) MIN. SELECT GOLD AND  
.000100/(0.00254) MIN. SELECT MATTE TIN  
OVER .000050/(0.00127) MIN. NICKEL OVERALL  
"GS"=.000030/(0.00076) MIN. SELECT GOLD AND  
.000100/(0.00254) MIN. SELECT MATTE TIN  
OVER .000050/(0.00127) MIN. NICKEL OVERALL
- PRODUCT SPECIFICATION:** PS-5556-001
- PACKAGING:** "BLANK"= BULK PACKED, "TA"=TRAY PACK PER PK-5566-001
- PART MATES WITH MINI-FIT JR. RECEPTACLE NO. 5557.
- PART IS NOT DESIGNED FOR CURRENT SHARING.
- PARTS ARE NOT DESIGNED TO BE MATED OR UN-MATED WHILE CIRCUITS ARE LIVE.
- ANTI-SHINGLING RIB MAY OR MAY NOT APPEAR ON HOUSINGS.
- PART CONFORMS TO CLASS "B" REQUIREMENTS OF COSMETIC SPECIFICATION PS-45499-002.



<b>CORRECTED PN</b> EC NO: UCP2010-2614 DRWNG: JAGUILAR 2010/04/09 CHKD: J.BELL '94/04/20 APPR: FSMITH 2010/04/14 REV: L3	QUALITY SYMBOLS ∇=0 ∇=0 ∇=0	<b>GENERAL TOLERANCES (UNLESS SPECIFIED)</b> <table border="1"> <thead> <tr> <th></th> <th>mm</th> <th>INCH</th> </tr> </thead> <tbody> <tr> <td>4 PLACES ±</td> <td>---</td> <td>---</td> </tr> <tr> <td>3 PLACES ±</td> <td>---</td> <td>±.005</td> </tr> <tr> <td>2 PLACES ±</td> <td>.13</td> <td>±.010</td> </tr> <tr> <td>1 PLACE ±</td> <td>.25</td> <td>---</td> </tr> </tbody> </table>		mm	INCH	4 PLACES ±	---	---	3 PLACES ±	---	±.005	2 PLACES ±	.13	±.010	1 PLACE ±	.25	---	<b>DIMENSION STYLE</b> IN/MM	<b>SCALE</b> 4:1	<b>DESIGN UNITS</b> METRIC	<b>THIRD ANGLE PROJECTION</b>
		mm	INCH																		
	4 PLACES ±	---	---																		
3 PLACES ±	---	±.005																			
2 PLACES ±	.13	±.010																			
1 PLACE ±	.25	---																			
<b>DRAFT WHERE APPLICABLE MUST REMAIN WITHIN DIMENSIONS</b>	<b>APPROVED BY</b> M.FUKUSHIMA '94/04/20	<b>DRAWN BY</b> H.HIRAMOTO '89/04/03	<b>DATE</b> '94/04/20	<b>NEW MINI FIT CONNECTOR HEADER HOUSING ASS'Y -LEAD FREE-</b>																	
<b>SEE TABLE</b>	<b>MATERIAL NO.</b> SD-5566-002	<b>APPROVED BY</b> M.FUKUSHIMA '94/04/20	<b>DATE</b> '94/04/20	<b>MOLEX INCORPORATED</b>	<b>DOCUMENT NO.</b>	<b>SHEET NO.</b> 1 OF 6															

THIS DRAWING CONTAINS INFORMATION THAT IS PROPRIETARY TO MOLEX INCORPORATED AND SHOULD NOT BE USED WITHOUT WRITTEN PERMISSION

	10	9	8	7	6	5	4	3	2	1	
F	39-29-5247	5566-24APB-210	39-30-9245	5566-24AGS2-210	39-29-6248	5566-24AGS-210	39-30-6242	5566-24AS-210	39-28-8240	5566-24A-210	24
	▲ -5227	▲ -22APB-210	▲ -9225	▲ -22AGS2-210	▲ -6228	▲ -22AGS-210	▲ -6222	▲ -22AS-210	▲ -8220	▲ -22A-210	22
	-5207	-20APB-210	-9205	-20AGS2-210	-6208	-20AGS-210	-6202	-20AS-210	-8200	-20A-210	20
	-5187	-18APB-210	-9185	-18AGS2-210	-6188	-18AGS-210	-6182	-18AS-210	-8180	-18A-210	18
	-5167	-16APB-210	-9165	-16AGS2-210	-6168	-16AGS-210	-6162	-16AS-210	-8160	-16A-210	16
	-5147	-14APB-210	-9145	-14AGS2-210	-6148	-14AGS-210	-6142	-14AS-210	-8140	-14A-210	14
	-5127	-12APB-210	-9125	-12AGS2-210	-6128	-12AGS-210	-6122	-12AS-210	-8120	-12A-210	12
	-5107	-10APB-210	-9105	-10AGS2-210	-6108	-10AGS-210	-6102	-10AS-210	-8100	-10A-210	10
	-5087	-08APB-210	-9085	-08AGS2-210	-6088	-08AGS-210	-6082	-08AS-210	-8080	-08A-210	8
	-5067	-06APB-210	-9065	-06AGS2-210	-6068	-06AGS-210	-6062	-06AS-210	-8060	-06A-210	6
▼ -5047	▼ -04APB-210	▼ -9045	▼ -04AGS2-210	▼ -6048	▼ -04AGS-210	▼ -6042	▼ -04AS-210	▼ -8040	▼ -04A-210	4	
39-29-5027	5566-02APB-210	39-30-9025	5566-02AGS2-210	39-29-6028	5566-02AGS-210	39-30-6022	5566-02AS-210	39-28-8020	5566-02A-210	2	
EDP NO.	ENG. NO.	EDP NO.	ENG. NO.	EDP NO.	ENG. NO.	EDP NO.	ENG. NO.	EDP NO.	ENG. NO.	CKT. SIZE	
5566-NAPB-210		5566-NAGS2-210		5566-NAGS-210		5566-NAS-210		5566-NA-210			
39-29-5246	5566-24APB	39-30-9244	5566-24AGS2	39-29-0243	5566-24AGS	39-30-6241	5566-24AS	39-28-1243	5566-24A	24	
▲ -5226	▲ -22APB	▲ -9224	▲ -22AGS2	▲ -0223	▲ -22AGS	▲ -6221	▲ -22AS	▲ -1223	▲ -22A	22	
-5206	-20APB	-9204	-20AGS2	-0203	-20AGS	-6201	-20AS	-1203	-20A	20	
-5186	-18APB	-9184	-18AGS2	-0183	-18AGS	-6181	-18AS	-1183	-18A	18	
-5166	-16APB	-9164	-16AGS2	-0163	-16AGS	-6161	-16AS	-1163	-16A	16	
-5146	-14APB	-9144	-14AGS2	-0143	-14AGS	-6141	-14AS	-1143	-14A	14	
-5126	-12APB	-9124	-12AGS2	-0123	-12AGS	-6121	-12AS	-1123	-12A	12	
-5106	-10APB	-9104	-10AGS2	-0103	-10AGS	-6101	-10AS	-1103	-10A	10	
-5086	-08APB	-9084	-08AGS2	-0083	-08AGS	-6081	-08AS	-1083	-08A	8	
-5066	-06APB	-9064	-06AGS2	-0063	-06AGS	-6061	-06AS	-1063	-06A	6	
▼ -5046	▼ -04APB	▼ -9044	▼ -04AGS2	▼ -0043	▼ -04AGS	▼ -6041	▼ -04AS	▼ -1043	▼ -04A	4	
39-29-5026	5566-02APB	39-30-9024	5566-02AGS2	39-29-0023	5566-02AGS	39-30-6021	5566-02AS	39-28-1023	5566-02A	2	
EDP NO.	ENG. NO.	EDP NO.	ENG. NO.	EDP NO.	ENG. NO.	EDP NO.	ENG. NO.	EDP NO.	ENG. NO.	CKT. SIZE	
5566-NAPB		5566-NAGS2		5566-NAGS		5566-NAS		5566-NA			

PARTS WITH OUT DRAIN HOLES

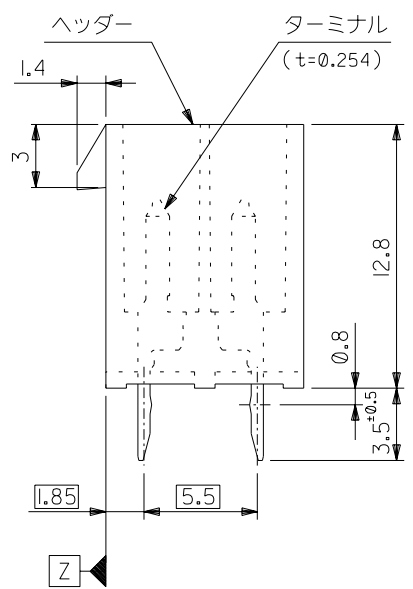
REVISED EC NO: UCP2010-1083 DRWN: J.AGUILAR 2010/02/05 CHKD: J.BELL 2010/02/08 APPR: F.S.MITH 2010/02/10 L2	DESCRIPTION	GENERAL TOLERANCES (UNLESS SPECIFIED)	DIMENSION STYLE IN/MM	SCALE ---	DESIGN UNITS METRIC	THIRD ANGLE PROJECTION
	10 UNDER	± ---	DRAWN BY H. HIRAMOTO	DATE '89/04/03	TITLE NEW MINI FIT CONNECTOR HEADER HOUSING ASS'Y -LEAD FREE-	
	10 OVER 30 UNDER	± ---	CHECKED BY M. FUKUSHIMA	DATE '94/04/20		
	30 OVER	± ---	APPROVED BY M. FUKUSHIMA	DATE '94/04/20	MOLEX INCORPORATED	
	ANGULAR ± --- °	DRAFT WHERE APPLICABLE MUST REMAIN WITHIN DIMENSIONS	MATERIAL NO. SEE TABLE	DOCUMENT NO. SD-5566-002		
			SIZE A3	THIS DRAWING CONTAINS INFORMATION THAT IS PROPRIETARY TO MOLEX INCORPORATED AND SHOULD NOT BE USED WITHOUT WRITTEN PERMISSION		



51.6	46.2	24
47.4	42	22
43.2	37.8	20
39	33.6	18
34.8	29.4	16
30.6	25.2	14
26.4	21	12
22.2	16.8	10
18	12.6	8
13.8	8.4	6
9.6	4.2	4
5.4	—	2
寸法 B	寸法 A	極数

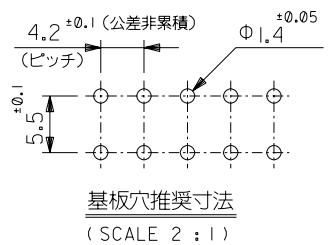


極数別レイアウト図  
(SCALE 1:1)



注記

- 嵌合相手：5557シリーズ
- 使用符号の説明  
 ベースナンバー 5566 - N A \* \* - \*  
 極数 \_\_\_\_\_  
 アッセンブリ \_\_\_\_\_  
 ターミナル材料 \_\_\_\_\_  
 "BLANK"：黄銅  
 PB：リン青銅  
 ターミナルのメッキ \_\_\_\_\_  
 "BLANK"：錫メッキ 0.9μm MIN.  
 GS：ニッケル 1.27μm MIN. 全面下地  
 コンタクト部 金 0.76μm MIN.  
 半田付け部 錫 2.54μm MIN.  
 ヘッダー材料 \_\_\_\_\_  
 "BLANK"：ナイロン 66, UL 94V-2  
 210：ナイロン 66, UL 94V-0  
 400：ナイロン 66, UL 94V-0, 黒



		材料 MATERIAL		5566-NA*** MODEL NO.	
		注記 2 参照		MOLEX-JAPAN CO.,LTD. 日本モレックス株式会社	
		仕上げ FINISH		EDP. NO. SHEET 2 OF 2 参照	
		適用電線範囲 WIRE RANGE		ENG. NO. SHEET 1 OF 2	
		被覆外径 INS. RANGE		SD-5566-NA***	
		DRAWN BY '89/5/7 H.HIRAMOTO		TITLE 名称 NEW MINI FIT CONNECTOR HEADER ASS'Y -LEAD FREE-	
		CHK'D BY '91/10/29 M.FUKUSHIMA		REV F	
		APP'D BY '91/10/29 M.ENOMOTO		尺度 SCALE 4-1	
角度 ANGLE	±3°	F 変更 (J2004-4431)	M.N. '04/5/26	REVISION RECORD	
30以上 OVER	±0.4	E 変更 (J00638)	H.K.T. '90/6/8	DR. CHK. DATE	
10以上 OVER 30未満 UNDER	±0.3	D 変更&再作図 (J00510)	H.H. '90/5/7	REVISION RECORD	
10未満 UNDER	±0.2	記号	DR. CHK. DATE	REVISION RECORD	
一般公差 GENERAL TOLERANCES		REVISE ONLY ON CAD SYSTEM			

ENC. NO  
SD-5566-NA\*\*\*

EDP NO.  
表 参照

MM DIMENSIONS IN METRIC DO NOT SCALE DRAWING

39-35-0248	5566-24A-400	24
▲ -0228	▲ -22A-400	22
-0208	-20A-400	20
-0188	-18A-400	18
-0168	-16A-400	16
-0148	-14A-400	14
-0128	-12A-400	12
-0108	-10A-400	10
-0088	-08A-400	8
-0068	-06A-400	6
▼ -0048	▼ -04A-400	4
39-35-0028	5566-02A-400	2
EDP NO.	ENG. NO	極数
5566-NA-400		

39-29-5247	5566-24APB-210	39-29-6248	5566-24AGS-210	39-28-8240	5566-24A-210	24
▲ -5227	▲ -22APB-210	▲ -6228	▲ -22AGS-210	▲ -8220	▲ -22A-210	22
-5207	-20APB-210	-6208	-20AGS-210	-8200	-20A-210	20
-5187	-18APB-210	-6188	-18AGS-210	-8180	-18A-210	18
-5167	-16APB-210	-6168	-16AGS-210	-8160	-16A-210	16
-5147	-14APB-210	-6148	-14AGS-210	-8140	-14A-210	14
-5127	-12APB-210	-6128	-12AGS-210	-8120	-12A-210	12
-5107	-10APB-210	-6108	-10AGS-210	-8100	-10A-210	10
-5087	-08APB-210	-6088	-08AGS-210	-8080	-08A-210	8
-5067	-06APB-210	-6068	-06AGS-210	-8060	-06A-210	6
▼ -5047	▼ -04APB-210	▼ -6048	▼ -04AGS-210	▼ -8040	▼ -04A-210	4
39-29-5027	5566-02APB-210	39-29-6028	5566-02AGS-210	39-28-8020	5566-02A-210	2
EDP NO.	ENG. NO	EDP NO.	ENG. NO	EDP NO.	ENG. NO	極数
5566-NAPB-210		5566-NAGS-210		5566-NA-210		

39-29-5246	5566-24APB	39-29-0243	5566-24AGS	39-28-1243	5566-24A	24
▲ -5226	▲ -22APB	▲ -0223	▲ -22AGS	▲ -1223	▲ -22A	22
-5206	-20APB	-0203	-20AGS	-1203	-20A	20
-5186	-18APB	-0183	-18AGS	-1183	-18A	18
-5166	-16APB	-0163	-16AGS	-1163	-16A	16
-5146	-14APB	-0143	-14AGS	-1143	-14A	14
-5126	-12APB	-0123	-12AGS	-1123	-12A	12
-5106	-10APB	-0103	-10AGS	-1103	-10A	10
-5086	-08APB	-0083	-08AGS	-1083	-08A	8
-5066	-06APB	-0063	-06AGS	-1063	-06A	6
▼ -5046	▼ -04APB	▼ -0043	▼ -04AGS	▼ -1043	▼ -04A	4
39-29-5026	5566-02APB	39-29-0023	5566-02AGS	39-28-1023	5566-02A	2
EDP NO.	ENG. NO	EDP NO.	ENG. NO	EDP NO.	ENG. NO	極数
5566-NAPB		5566-NAGS		5566-NA		

5566-NA***		材料 MATERIAL		MOLEX-JAPAN CO.,LTD. 日本モレックス株式会社	
MODEL NO.		仕上げ FINISH		EDP. NO. 表 参照	
角度 ANGLE		適用電線範囲 WIRE RANGE		ENG. NO. SHEET 2 OF 2 REV F	
30 以上 OVER		被覆外径 INS. RANGE		SD-5566-NA***	
10 以上 30 未満 OVER UNDER		DRAWN BY '90/5/7 H.HIRAMOTO		TITLE 名称 NEW MINI FIT CONNECTOR	
10 未満 UNDER		CHK'D BY '91/10/29 M.FUKUSHIMA		HEADER ASS'Y -LEAD FREE-	
一般公差 GENERAL TOLERANCES		APP'D BY '91/10/29 M.ENOMOTO		尺 度 SCALE	
REVISION RECORD					
REVISE ONLY ON CAD SYSTEM					