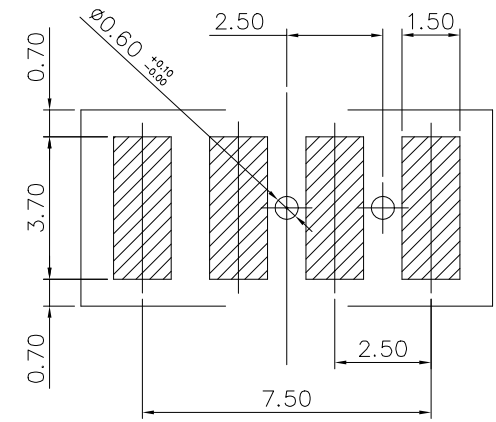


Recommended P.C.B. Layout  
(Component Side)



NOTE:  
250007MA004□□03ZR

1. Selective plating
  - G1-05u" Gold over Nickel.
  - G2-Indicate Gold flash.
  - G3-10u" Gold over Nickel.
  - G4-15u" Gold over Nickel.
  - G5-30u" Gold over Nickel.
  - G6-50u" Gold over Nickel.

NO.	DESCRIPTION	MATERIAL	COLOR	REMARK
3	CAP	L.C.P	BLACK	UL 94V-0
2	Terminal	Pho.Bronze		Gold water flash
1	Plastic	L.C.P	BLACK	UL 94V-0

<b>SUYIN</b> CONNECTOR			
CUSTOMER COPY		TITLE: 2.50mm Pitch Battery Connector	
PART NO.		250007MA004GX03ZR	
PART NO.(OLD)		_____	
DRAWING NO.	D T I N G	250007MA004GX03ZR	
SCALE	5:1	UNIT	mm
		A4	☉

ECN(DCN) NO.	REV	DATE	DESCRIPTION	CHANGE	APPRO.	GENERAL TOLERANCE UNLESS OTHERWISE NOTED	ANGLE	±2°	DRAW
	0		NEW				30 ~	±0.50	DESIGN
							10 ~ 30	±0.30	CHECK
							~ 10	±0.15	APPRO.