

PLEASE CHECK WWW.MOLEX.COM FOR LATEST PART INFORMATION

Part Number: [0945060100](#)
Status: **Active**
Description: Quick Disconnect, Safelock Female for 0.50-1.00mm² (18-24 AWG) Wire, Accepts 6.35mm (.250") x 0.81mm (.032") Tab, Unplated

Documents:

[Drawing \(PDF\)](#) [RoHS Certificate of Compliance \(PDF\)](#)
[Product Specification PS-94506-001 \(PDF\)](#)

Agency Certification

CSA LR19980
 UL E29179

General

Product Family Quick Disconnects
 Series [94506](#)
 Crimp Quality Equipment Yes
 Product Name Safelock
 Type Quick Disconnect

Physical

Barrel Type Open
 Flammability 94V-2
 Gender Female
 Glow-Wire Compliant No
 Insulation None
 Lock to Mating Part None
 Material - Metal Brass
 Material - Plating Mating Unplated
 Material - Plating Termination Tin
 Orientation Straight
 Packaging Type Reel
 Polarized to Mating Part Yes
 Tab Thickness 0.81mm (.032")
 Tab Width 6.35mm (.250")
 Temperature Range - Operating -40°C to +80°C
 Termination Interface: Style Crimp or Compression
 Wire Size AWG 18, 20, 22, 24
 Wire Size mm² 0.50 - 1.00

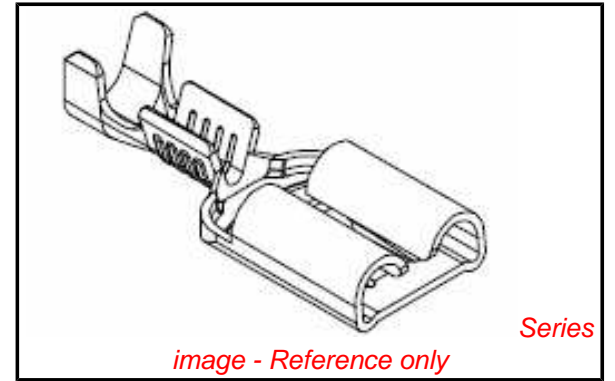
Electrical

Voltage - Maximum 250V

Material Info

Reference - Drawing Numbers

Product Specification PS-94506-001
 Sales Drawing SD-94506-0XXX



EU RoHS

ELV and RoHS Compliant

REACH SVHC

Contains SVHC: No

Halogen-Free

Status

Halogen-Free

China RoHS



Need more information on product environmental compliance?

Email productcompliance@molex.com
 For a multiple part number RoHS Certificate of Compliance, [click here](#)

Please visit the [Contact Us](#) section for any non-product compliance questions.

Search Parts in this Series

[94506Series](#)

Use With

[94506](#) Quick Disconnect Housing

Application Tooling | [FAQ](#)

Tooling specifications and manuals are found by selecting the products below. Crimp Height Specifications are then contained in the Application Tooling Specification document.

Global

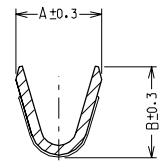
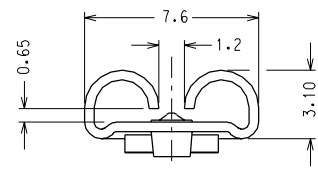
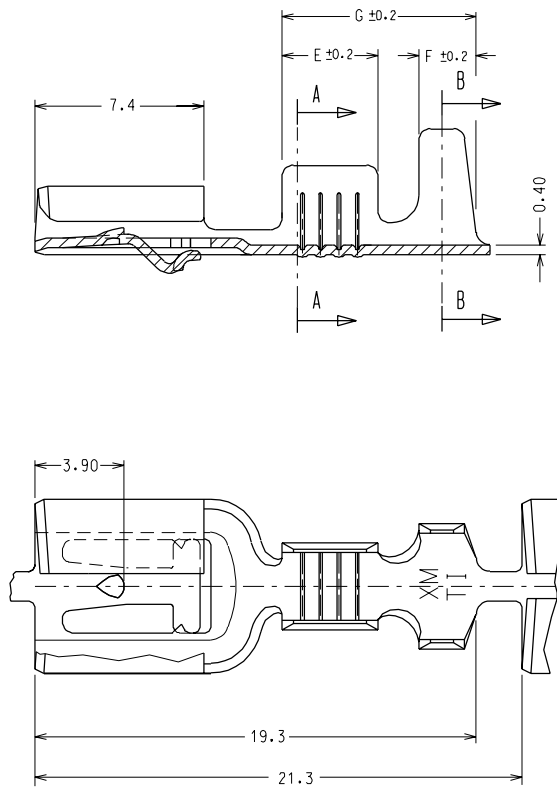
Description

Product #

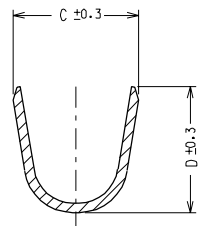
Mini-Mac™

[0011182204](#)

Applicator



SECTION A - A



SECTION B - B

CODICE P/N	FINITURA PLATING	MATERIALE MATERIAL	SEZ. RAME WIRE RANGE	Ø ISOLANTE INS. RANGE	DIMENSIONI / DIMENSION						
					A	B	C	D	E	F	G
94506 - 0100	greggio/ plain	ottone brass	0.5 - 1.0	2.0 - 3.3	3.0	3.0	4.5	4.5	4.2	2.4	8.3
94506 - 0101	stagnato/ tin				3.8	4.0	5.5	5.5	4.2	2.5	8.5
94506 - 0200	greggio/ plain		1.0 - 2.5	2.7 - 4.3	3.8	4.0	5.5	5.5	4.2	2.5	8.5
94506 - 0201	stagnato/ tin				3.8	4.0	5.5	5.5	4.2	2.5	8.5

IMPIEGATO CON HOUSING 94506-900X
TO BE USED WITH HOUSING P/N 94506-900X

B1	ECN Z7-011 22-07-96 Mod. spessore G.F.	LTR	DIMENSIONS SHOWN (METRIC) INCH UNLESS OTHERWISE SPECIFIED TOLERANCES ANGULAR ± 2° INCH (METRIC)	DRWG BY	REVISE ONLY ON CAD SYSTEM		SH.	REV.			
	B			A	ECN Z1-129 Agg. art. 94506-01XX 11-09-91 G. F.	F. Gottardo	THIS DRAWING CONTAINS INFORMATION THAT IS PROPRIETARY TO MOLEX INC AND SHOULD NOT BE USED WITHOUT WRITTEN PERMISSION				
					EMESSO DIS. DEFINITIVO ECN Z0-141 11-12-90 G. F.	CHK'D BY	TITLE				
						M. Previato	CAPOCORDA FEMMINA PER MASCHIO 6.3 x 0.8 -SAFELOCK- QIK KONNECT RECEPTACLE FOR 6.3 x 0.8 TABS -SAFELOCK-				
			DESIGN DIMENSION (PRIMARY) <input type="checkbox"/> (MM) <input type="checkbox"/> IN	APP'D BY	MOLEX INCORPORATED		SHEET NO.	DATE			
			EQUIVALENT DIMENSION (SECONDARY) <input type="checkbox"/> (MM) <input type="checkbox"/> IN.	SCALE	PART NO. VEDI TABELLA SEE CHART		DWG NO.	SIZE			
				5 : 1	SD 94506 - OXXX		1 / 1	14-12-89			