

**PLEASE CHECK WWW.MOLEX.COM FOR LATEST PART INFORMATION**

**Part Number:** [0673519057](#)

**Status:** **Active**

**Description:** MicroCross™ DVI-I Digital/Analog Visual Interface, Panel Mount, Through Hole, Right Angle, Gold (Au) Flash, with Hex Thumb Screw, 29 Circuits, Lead Free

**Documents:**

[3D Model](#)

[Drawing \(PDF\)](#)

[RoHS Certificate of Compliance \(PDF\)](#)

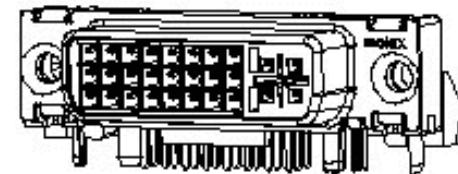
**General**

Product Family	I/O Connectors
Series	<a href="#">67351</a>
Application	Wire-to-Board
Comments	DDWG (Digital Display Working Group) Standard
Component Type	Receptacle
Product Name	MicroCross™DVI
Type	N/A

**Physical**

Boot Color	N/A
Circuits (Loaded)	24
Circuits (maximum)	24
Color - Resin	Ivory, Natural
Durability (mating cycles max)	100
Keying to Mating Part	Yes
Lock to Mating Part	Yes
Material - Metal	Copper Alloy
Material - Plating Mating	Gold
Material - Plating Termination	Tin
Material - Resin	Polyester
Number of Rows	3
Orientation	Right Angle
PC Tail Length (in)	0.123 In
PC Tail Length (mm)	3.12 mm
PCB Locator	Yes
PCB Retention	Yes
Packaging Type	Tray
Panel Mount	Yes
Pitch - Mating Interface (in)	0.075 In, 0.100 In
Pitch - Mating Interface (mm)	1.90 mm, 2.54 mm
Pitch - Term. Interface (in)	0.075 In, 0.100 In
Pitch - Term. Interface (mm)	1.90 mm, 2.54 mm
Plating min: Mating (µin)	2, 30
Plating min: Mating (µm)	0.05, 0.75
Plating min: Termination (µin)	100, 150
Plating min: Termination (µm)	2.5, 3.75
Polarized to Mating Part	Yes
Polarized to PCB	Yes
Ports	1
Surface Mount Compatible (SMC)	No
Temperature Range - Operating	-20°C to +85°C
Termination Interface: Style	Through Hole
Waterproof / Dustproof	No
Wire Size AWG	N/A

**Electrical**



*image - Reference only*

*Series*

**EU RoHS**

**ELV and RoHS  
Compliant**

**REACH SVHC**

Not Reviewed

**Halogen-Free**

**Status**

**Not Reviewed**

**China RoHS**



**Need more information on product  
environmental compliance?**

Email [productcompliance@molex.com](mailto:productcompliance@molex.com)  
For a multiple part number RoHS Certificate of  
Compliance, [click here](#)

Please visit the [Contact Us](#) section for any  
non-product compliance questions.

**Search Parts in this Series**

[67351Series](#)

**Mates With**

[74323](#) MicroCross™ DVI Plug Components.

[88741](#) MicroCross™ DVI Cable Assemblies

**Use With**

[71781](#) Panel Mount Hex Screw Kit

Current - Maximum per Contact	3A
Grounding to Panel	Yes
Shield Type	Full Shield
Shielded	Yes
Voltage - Maximum	40V AC (RMS)

**Material Info**

**Reference - Drawing Numbers**

Packaging Specification	PK-74320-009, PK-74320-010
Sales Drawing	SD-67351-033

This document was generated on 06/07/2010

**PLEASE CHECK [WWW.MOLEX.COM](http://WWW.MOLEX.COM) FOR LATEST PART INFORMATION**

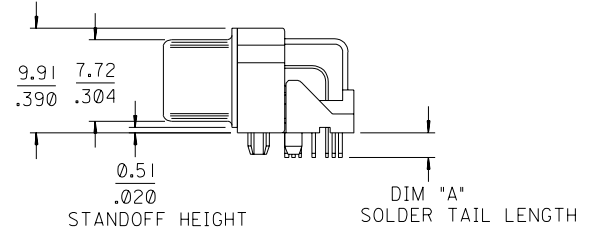
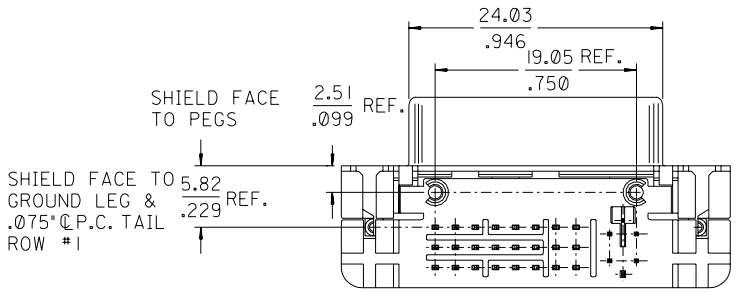
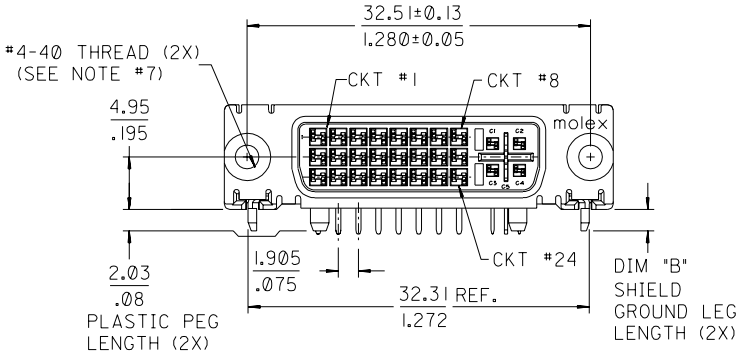
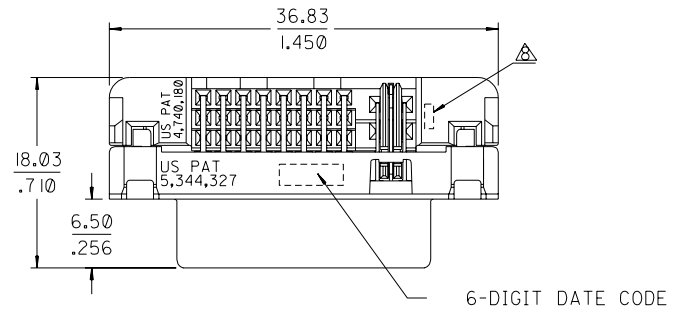
ENG. NO SEE CHART

EDP NO.

SIMILAR ITEM

CADFILE NO. S6735133.S01

DO NOT SCALE DRAWING



NOTES:

- MATERIALS:  
 SHIELD -- DEEP DRAW STEEL.  
 HOUSING -- GLASS FILLED POLYMER, NATURAL (IVORY WHITE), UL 94v-0.  
 TAIL ALIGNER -- GLASS FILLED POLYMER, NATURAL (IVORY WHITE), UL 94v-0.  
 CONTACTS -- COPPER ALLOY.  
 MICROCROSS GROUND -- COPPER ALLOY.
  - PLATING: SEE SHEET 2
  - PRODUCT CONFORMS TO MOLEX PRODUCT SPECIFICATION NUMBER PS-74320-001. REFER TO THIS SPECIFICATION FOR SPACING ON A P.C.B. OF TWO OR MORE CONNECTORS WHEN USING A CABLE OR AN ADAPTER ASSEMBLY.
  - SEE SHEET 2 FOR RECOMMENDED PANEL CUT-OUT AND P.C.B. LAYOUT.
  - PARTS WILL BE PACKAGED IN TRAYS PER PK-74320-009.
  - PRODUCT CONFORMS TO DDWG DVI SPECIFICATION. REFER TO THIS SPECIFICATION FOR CONNECTOR MATING DIMENSIONS.
  - RECOMMENDED MOUNTING HARDWARE IS MOLEX P/N 88780-6066 OR 82007-0300 OR 71781-0001. REFER TO PRODUCT SPECIFICATION NUMBER PS-74320-001 FOR THE APPLICATION TORQUE REQUIREMENT FOR ASSEMBLING MOUNTING HARDWARE.
- ⚠ CAVITY NO. AND MANUFACTURING PLANT CODE.

PART NUMBER	CONNECTOR				HEX THUMB SCREW
	PART NUMBER	PLATING OPTION	DIM "A"	DIM "B"	
67351-9050	67351-1000	1	2.34/.092	2.03±0.51	88780-6066
67351-9051	67351-1001	1	1.27/.050	.080±.020	
67351-9052	67351-1002	1	2.79/.110	2.79/.110	
67351-9053	67351-1003	1	3.12/.123		
67351-9054	67351-1004	2	2.34/.092	2.03±0.51	
67351-9055	67351-1005	2	1.27/.050	.080±.020	
67351-9056	67351-1006	2	2.79/.110	2.79/.110	
67351-9057	67351-1007	2	3.12/.123		

MODIFICATION EC NO. SH2004-0129 DRWN: TXUE 2004/03/05 CHK: GRMA 2004/03/05 APPR: SAM 2004/03/05	QUALITY SYMBOLS MAJOR $\nabla = 0$ CRITICAL $\triangle = 0$	GENERAL TOLERANCES: (UNLESS SPECIFIED)		SCALE 2:1	DESIGN UNITS <input checked="" type="checkbox"/> mm <input checked="" type="checkbox"/> INCH	THIRD ANGLE PROJECTION <input checked="" type="checkbox"/> <input type="checkbox"/>	DIMENSIONS: <input checked="" type="checkbox"/> mm <input type="checkbox"/> INCH <input type="checkbox"/> mm ONLY <input type="checkbox"/> INCH ONLY		SHT	REV		
		DRAWN BY & DATE Allen lin '01/11/05		CHECKED BY & DATE VLIN '01/11/05			TITLE: DVI-I R/A REC. CONNECTOR ADD HEX THUMBSCREW					
		APPROVED BY & DATE ELAN '01/11/05		CAD FILENAME SD67351033.S01			MATERIAL NO. SEE CHART		DRAWING NO. SD-67351-033		SHEET NO. 1 OF 2	
		ANGULAR: ±3°		DRAFT WHERE APPLICABLE MUST REMAIN WITHIN DIMENSIONS			THIS DRAWING CONTAINS INFORMATION THAT IS PROPRIETARY TO MOLEX INCORPORATED AND SHOULD NOT BE USED WITHOUT WRITTEN PERMISSION.				SIZE A3	

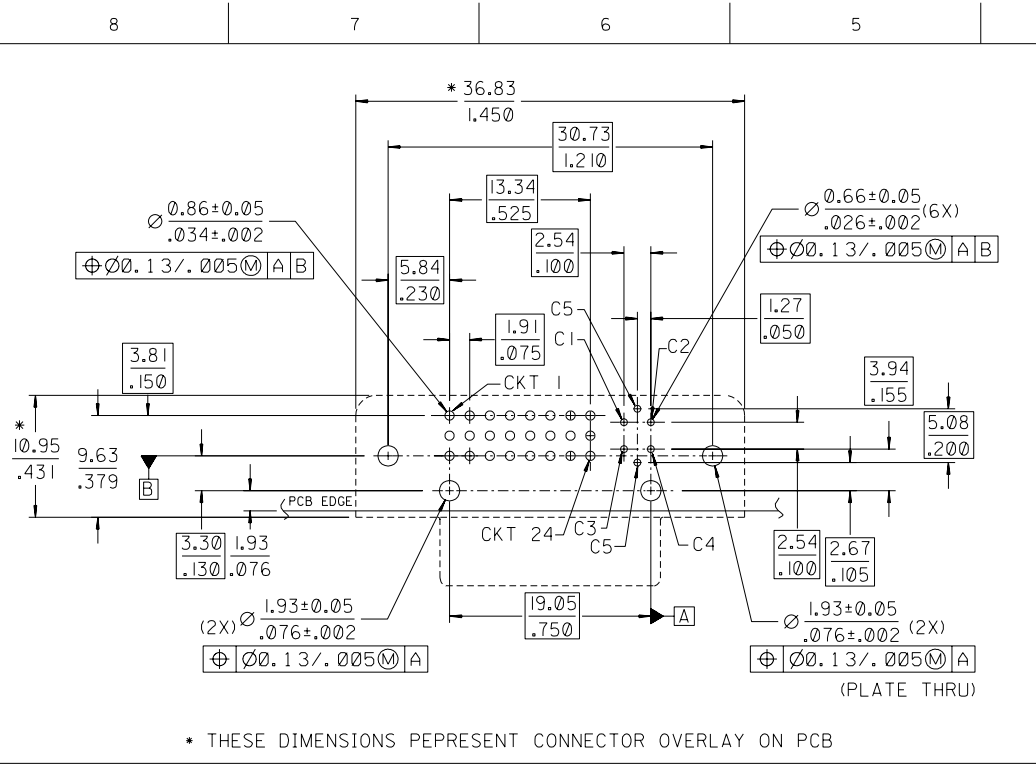
DO NOT SCALE DRAWING

CADFILE NO.:S6735133.S02

SIMILAR ITEM

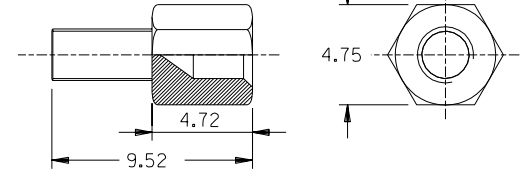
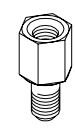
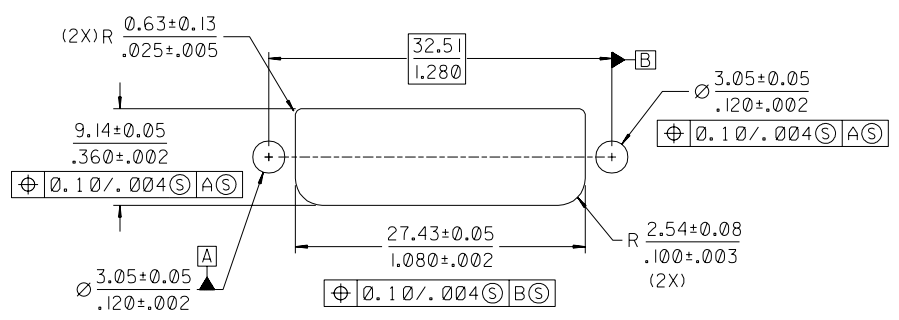
EDP NO.

ENG. NO SEE CHART



**PLATING OPTIONS:**

- PLATING OPTION #1:**
- OUTER SHIELD -- 150u"/(3.75um) MIN. BRIGHT TIN OVER
  - 50u"/(1.27um) MIN. NICKEL OVER COPPER FLASH.
  - .075"/(1.91mm) CONTACTS -- 30u"/(0.75um) MIN. SELECT GOLD AND 100u"/(2.50um) MIN. SELECT PURE TIN OVER 50u"/(1.27um) MIN. NICKEL OVERALL.
  - .100"/(2.54mm) CONTACTS -- 30u"/(0.75um) MIN. SELECT GOLD AND 100u"/(2.50um) MIN. SELECT PURE TIN OVER 50u"/(1.27um) MIN. NICKEL OVERALL.
  - MICROCROSS GROUND -- 30u"/(0.75um) MIN. SELECT GOLD AND 100u"/(2.50um) MIN. SELECT PURE TIN OVER 50u"/(1.27um) MIN. NICKEL OVERALL.
- PLATING OPTION #2:**
- OUTER SHIELD -- 150u"/(3.75um) MIN. BRIGHT TIN OVER
  - 50u"/(1.27um) MIN. NICKEL OVER COPPER FLASH.
  - .075"/(1.91mm) CONTACTS -- SELECT GOLD FLASH AND 100u"/(2.50um) MIN. SELECT PURE TIN OVER 50u"/(1.27um) MIN. NICKEL OVERALL.
  - .100"/(2.54mm) CONTACTS -- SELECT GOLD FLASH AND 100u"/(2.50um) MIN. SELECT PURE TIN OVER 50u"/(1.27um) MIN. NICKEL OVERALL.
  - MICROCROSS GROUND -- 30u"/(0.75um) MIN. SELECT GOLD AND 100u"/(2.50um) MIN. SELECT PURE TIN OVER 50u"/(1.27um) MIN. NICKEL OVERALL.



RECOMMEND PANEL CUT-OUT

PANEL THICKNESS: 0.76/.030 - 1.02/.040

MODIFICATION	DESCRIPTION	QUALITY SYMBOLS
EC NO. SH2004-029		MAJOR $\nabla$
DRWN: TXUE 2004/03/05		CRITICAL $\nabla$
CHK: GRMA 2004/03/05		
APPR: SAM 2004/03/05		
REV	DESCRIPTION	
H		

ITEM	INTERNAL THREAD	EXTERNAL THREAD	FINISH	MATERIAL	DIMENSIONS:		SHT	REV
88780-6066	#4-40 UNC-2B	#4-40 UNC-2A	NICKEL	FREE CUT BRASS	<input checked="" type="checkbox"/> mm <input type="checkbox"/> INCH	<input type="checkbox"/> mm <input type="checkbox"/> INCH		
GENERAL TOLERANCES: (UNLESS SPECIFIED)					SCALE: 2:1		DESIGN UNITS: <input checked="" type="checkbox"/> mm <input type="checkbox"/> INCH	
4 PLACES ± .		3 PLACES ± .		2 PLACES ±0.25		1 PLACE ±0.25		DRAWN BY & DATE: Allen Lin '01/11/05
mm		INCH		APPROVED BY & DATE: ELAN '01/11/05		THIRD ANGLE PROJECTION		TITLE: DVI - I R/A REC. CONNECTOR ADD HEX THUMBSCREW
ANGULAR: ±3°					CAD FILENAME: S6735133.S02		MATERIAL NO. SEE CHART	
DRAFT WHERE APPLICABLE MUST REMAIN WITHIN DIMENSIONS					DRAWING NO. SD-67351-033		SHEET NO. 2 OF 2	
THIS DRAWING CONTAINS INFORMATION THAT IS PROPRIETARY TO MOLEX INCORPORATED AND SHOULD NOT BE USED WITHOUT WRITTEN PERMISSION.								
								SIZE: A3