

PLEASE CHECK WWW.MOLEX.COM FOR LATEST PART INFORMATION

Part Number: [0545605001](#)
Status: **Active**
Overview: [qf50](#)
Description: 2.54mm (0.100") Pitch QF-50™ Flat Ribbon Cable Receptacle Upper Housing, 50 Circuits

Documents:

[Drawing \(PDF\)](#) [Product Specification PS-54559-005 \(PDF\)](#)
[Product Specification PS-54559-004 \(PDF\)](#) [RoHS Certificate of Compliance \(PDF\)](#)

General

| | |
|-------------------------------|---------------------------|
| Product Family | Accessories |
| Series | 54560 |
| Application Tooling Part Link | 572525000 |
| Application Tooling Part Link | 572527000 |
| Component Type | Housing |
| Overview | qf50 |
| Product Name | QF-50™ |

Physical

| | |
|-------------------------------|----------------|
| Circuits (Loaded) | 50 |
| Color - Resin | Black |
| Material - Resin | Polyester |
| Number of Rows | 2 |
| Packaging Type | Tray |
| Temperature Range - Operating | -40°C to +85°C |

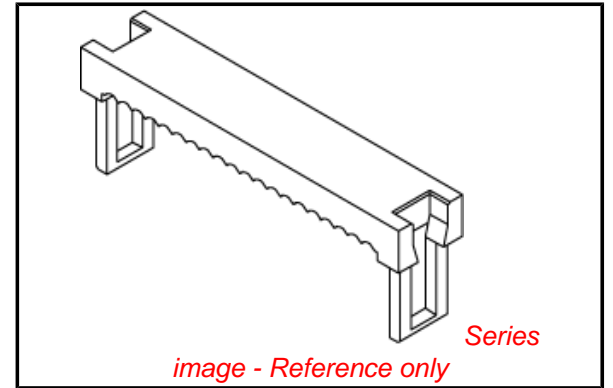
Electrical

| | |
|-------------------------------|----|
| Current - Maximum per Contact | 1A |
|-------------------------------|----|

Material Info

Reference - Drawing Numbers

| | |
|-----------------------|---|
| Product Specification | PS-54559-004, PS-54559-005, RPS-501577-001, RPS-54559-008, RPS-54559-010, RPS-54559-012, RPS-54559-014, RPS-54559-015, RPS-54559-016, RPS-54559-017 |
| Sales Drawing | SD-54560-002, SD-54561-002 |



EU RoHS

ELV and RoHS Compliant

REACH SVHC

Contains SVHC: No

Halogen-Free

Status

Not Reviewed

China RoHS



Need more information on product environmental compliance?

Email productcompliance@molex.com
 For a multiple part number RoHS Certificate of Compliance, [click here](#)

Please visit the [Contact Us](#) section for any non-product compliance questions.

Search Parts in this Series

[54560Series](#)

Use With

[54561](#) Strain Relief, [54559](#) Receptacle Housing

Application Tooling | FAQ

Tooling specifications and manuals are found by selecting the products below. Crimp Height Specifications are then contained in the Application Tooling Specification document.

Japan

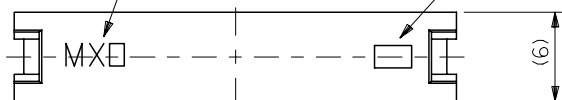
| Description | Product # |
|--|----------------------------|
| IDT Hand Tool Assembly For MIL Connector | 0572525000 |
| IDT Machine For MIL IDT Connector | 0572527000 |

PLEASE CHECK WWW.MOLEX.COM FOR LATEST PART INFORMATION

10 9 8 7 6 5 4 3 2 1

△トレードマーク
TRADE MARK

△キャビティ番号、金型番号
CAVITY NO. & MOLD NO.

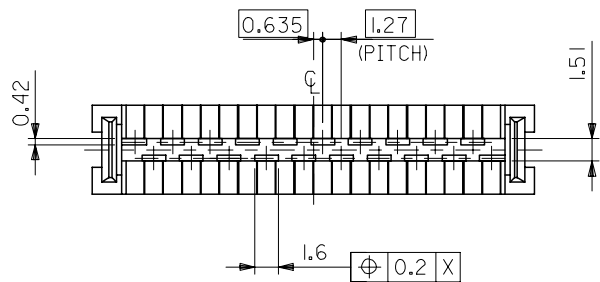
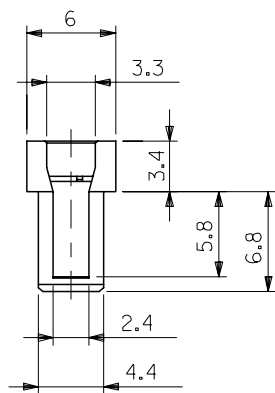
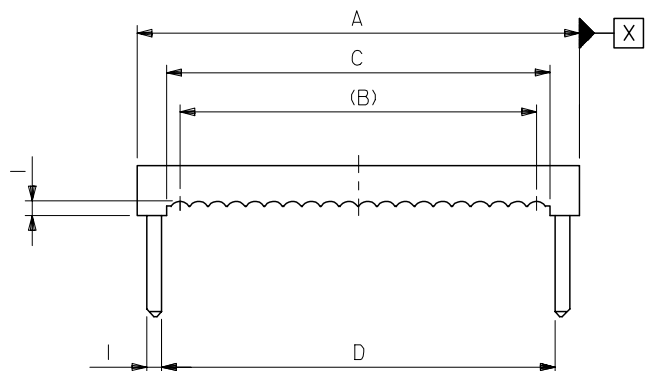


注記
NOTES

- 1. 適合ハウジングアッセンブリ : 54559-***I, 54559-***4I
APPLICABLE UPPER HSG ASS'Y : 54559-***I, 54559-***4I
適合ストレーンリリーフ : 5456I-****
APPLICABLE STRAIN RELIEF : 5456I-***0I

△トレードマーク : MX プラス 製造工場を示すアルファベットにて構成
但し、"J" は JAPAN を示す。(例 : MX J)
キャビティ番号 : 数字で表示。
金型番号 : アルファベットにて構成。

FORMED BY MX AND ALPHABET WHICH MEAN
THE MANUFACTORY, BUT "J" MEANS JAPAN. (TO TRADE MARK)
(e.g. MXJ)
AND BY NUMBERS (TO CAVITY NO.)
AND BY ALPHABET (TO MOLD NO.)



| | | | | | |
|-------|-------|-------|-------|--------------|------|
| 82.51 | 81.48 | 80.01 | 85.85 | 54560-640I | 64 |
| 77.43 | 76.4 | 74.93 | 80.77 | 54560-600I | 60 |
| 64.73 | 63.7 | 62.23 | 68.07 | 54560-500I | 50 |
| 52.03 | 51 | 49.53 | 55.37 | 54560-400I | 40 |
| 44.41 | 43.38 | 41.91 | 47.75 | 54560-340I | 34 |
| 39.33 | 38.3 | 36.83 | 42.67 | 54560-300I | 30 |
| 34.25 | 33.22 | 31.75 | 37.59 | 54560-260I | 26 |
| 26.63 | 25.6 | 24.13 | 29.97 | 54560-200I | 20 |
| 21.55 | 20.52 | 19.05 | 24.89 | 54560-160I | 16 |
| 19.01 | 17.98 | 16.51 | 22.35 | 54560-140I | 14 |
| 13.93 | 12.9 | 11.43 | 17.27 | 54560-100I | 10 |
| D | C | B | A | MATERIAL NO. | CKT. |

MATERIAL
PBT, UL94V-0 (黒色)
(COLOR : BLACK)

REVISED
EC NO: J2007-2853
DRWN: MABEI 2007/04/13
CHKD: MAEDA 2007/04/13
APPR: NUKITA 2007/04/13

GENERAL TOLERANCES
(UNLESS SPECIFIED)

| | |
|------------------|-------|
| 10 UNDER | ±0.2 |
| 10 OVER 30 UNDER | ±0.25 |
| 30 OVER | ±0.3 |
| ANGULAR | ±3 ° |

DRAFT WHERE APPLICABLE
MUST REMAIN
WITHIN DIMENSIONS

DIMENSION STYLE
MM ONLY

DRAWN BY DATE
S. MATSUZAKI '99/03/04

CHECKED BY DATE
S. KUNISHI '03/08/06

APPROVED BY DATE
T. YAMAGUCHI '03/08/06

MATERIAL NO.
SEE CHART

SIZE
A3

SCALE
3:1

DESIGN UNITS
METRIC

THIRD ANGLE
PROJECTION

TITLE
2.54 FLAT CABLE CONN
UPPER HSG

MOLEX INCORPORATED

DOCUMENT NO.
SD-54560-002

SHEET NO.
1 OF 1

MODEL NO. 54560-***0I

10 9 8 7 6 5 4 3 2 1

F

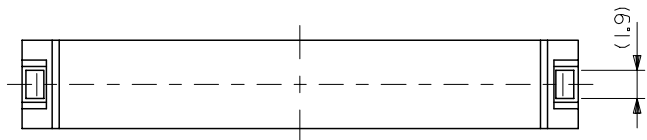
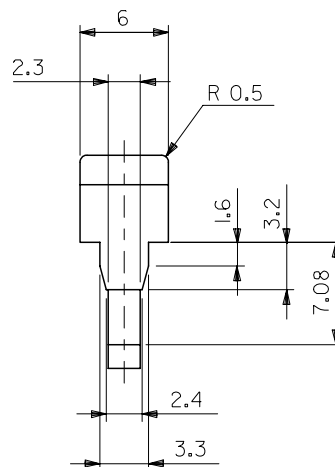
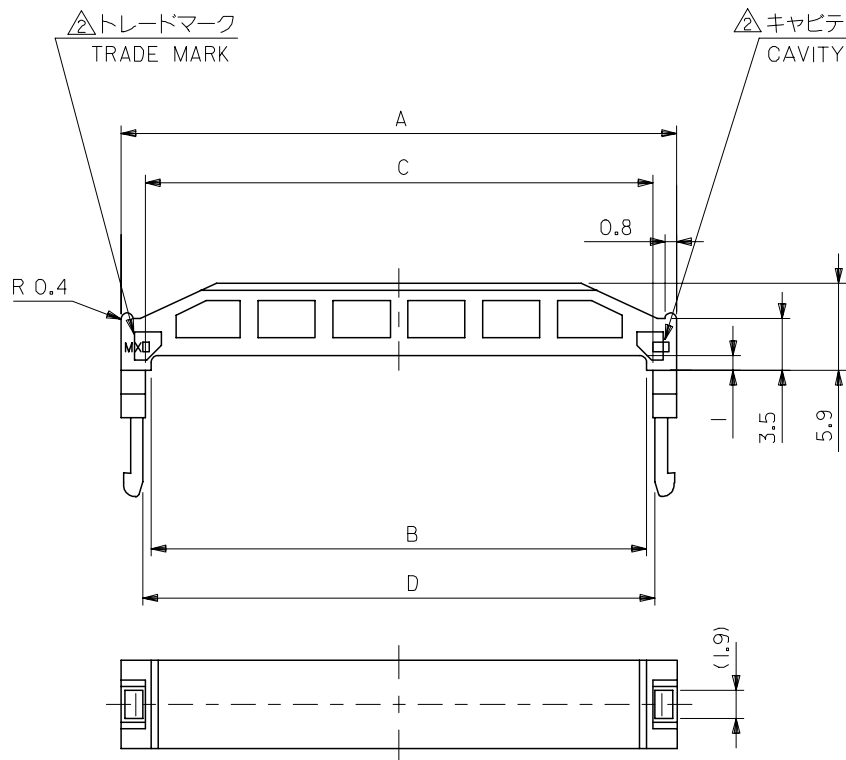
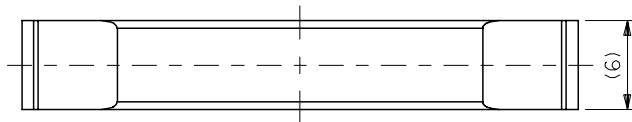
E

D

C

B

A



注記
NOTES

- I. 適合ハウジングアッセンブリ : 54559-***I, 54559-***4I
 APPLICABLE UPPER HSG ASS'Y : 54559-***I, 54559-***4I
 適合アッパーハウジング : 54560-***0I
 APPLICABLE STRAIN RELIEF : 54560-***0I

△ トレードマーク : MX プラス 製造工場を示すアルファベットにて構成
 但し、* J * は JAPAN を示す。(例 MX J)
 キャビティ番号 : 数字で表示。
 金型番号 : アルファベットにて構成。

FORMED BY MX AND ALPHABET WHICH MEAN
 THE MANUFACTORY, BUT *J* MEANS JAPAN. (TO TRADE MARK)
 (e.g. MXJ)
 AND BY NUMBERS (TO CAVITY NO.)
 AND BY ALPHABET (TO MOLD NO.)

| | | | | | |
|-------|-------|-------|-------|--------------|------|
| 82.91 | 82.61 | 81.81 | 85.85 | 54561-6401 | 64 |
| 77.83 | 77.53 | 76.73 | 80.77 | 54561-6001 | 60 |
| 65.13 | 64.83 | 64.03 | 68.07 | 54561-5001 | 50 |
| 52.43 | 52.13 | 51.33 | 55.37 | 54561-4001 | 40 |
| 44.81 | 44.51 | 43.71 | 47.75 | 54561-3401 | 34 |
| 39.73 | 39.43 | 38.63 | 42.67 | 54561-3001 | 30 |
| 34.65 | 34.05 | 33.55 | 37.59 | 54561-2601 | 26 |
| 27.03 | 26.73 | 25.93 | 29.97 | 54561-2001 | 20 |
| 21.95 | 21.65 | 20.85 | 24.89 | 54561-1601 | 16 |
| 19.41 | 19.11 | 18.31 | 22.35 | 54561-1401 | 14 |
| 14.33 | 14.03 | 13.23 | 17.27 | 54561-1001 | 10 |
| D | C | B | A | MATERIAL NO. | CKT. |

| | |
|----------------------|-------------------------------------|
| 材料 MATERIAL | PBT , UL94V-0 (黒色) (COLOR BLACK) |
| 仕上げ FINISH | — # — |
| 適用電線範囲 WIRE RANGE | — # — |
| 被覆外径 INS. RANGE | — # — |

| | |
|-------------------|------------|
| REVISED | 2007/04/13 |
| EC NO: J2007-2853 | 2007/04/13 |
| DRW: MABEI | 2007/04/13 |
| CHKD: YMAEDA | 2007/04/13 |
| APPR: NUKITA | 2007/04/13 |
| J | |

| | |
|--|--------|
| GENERAL TOLERANCES (UNLESS SPECIFIED) | |
| 10 UNDER | ± 0.2 |
| 10 OVER 30 UNDER | ± 0.25 |
| 30 OVER | ± 0.3 |
| ANGULAR | ± 3 ° |
| DRAFT WHERE APPLICABLE MUST REMAIN WITHIN DIMENSIONS | |

| | |
|----------------------------|-----------|
| DIMENSION STYLE MM ONLY | |
| DRAWN BY | DATE |
| SMATSUZAKI | '99/03/04 |
| CHECKED BY | DATE |
| SKUNISHI | '03/08/06 |
| APPROVED BY | DATE |
| TYAMAGUCHI | '03/08/06 |
| MATERIAL NO. | |
| SEE CHART | |
| SIZE | A3 |

| | |
|--|--------------|
| SCALE | 3:1 |
| DESIGN UNITS | METRIC |
| MODEL NO. | 54561-***01 |
| THIRD ANGLE PROJECTION | |
| TITLE | |
| 2.54 FLAT CABLE CONN REC STRAIN RELIEF | |
| MOLEX MOLEX INCORPORATED | |
| DOCUMENT NO. | SD-54561-002 |
| SHEET NO. | 1 OF 1 |
| THIS DRAWING CONTAINS INFORMATION THAT IS PROPRIETARY TO MOLEX INCORPORATED AND SHOULD NOT BE USED WITHOUT WRITTEN PERMISSION | |