

PLEASE CHECK WWW.MOLEX.COM FOR LATEST PART INFORMATION

Part Number: [0495171200](#)
Status: **Active**
Description: 3.96mm (.156") Pitch Wire-to-Board Female Housing, 12 Circuits, Natural

Documents:

[Drawing \(PDF\)](#) [Product Specification PS-49517-001 \(PDF\)](#)
[Packaging Specification \(PDF\)](#) [RoHS Certificate of Compliance \(PDF\)](#)

Agency Certification

UL E29179

General

Product Family Crimp Housings
 Series [49517](#)
 Product Name N/A

Physical

Breakaway No
 Circuits (maximum) 12
 Color - Resin Natural
 Flammability 94V-0
 Gender Female
 Glow-Wire Compliant No
 Keying to Mating Part None
 Lock to Mating Part Yes
 Material - Resin Nylon
 Number of Rows 1
 Packaging Type Bag
 Panel Mount No
 Pitch - Mating Interface (in) 0.156 In
 Pitch - Mating Interface (mm) 3.96 mm
 Polarized to Mating Part Yes
 Stackable No
 Temperature Range - Operating -25°C to +85°C

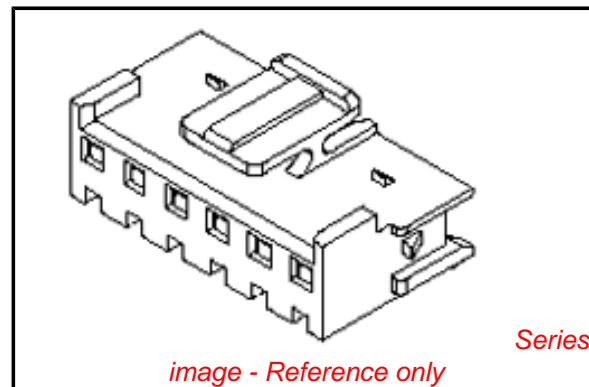
Electrical

Current - Maximum per Contact 7A

Material Info

Reference - Drawing Numbers

Product Specification PS-49517-001
 Sales Drawing SD-49517-001



EU RoHS

ELV and RoHS Compliant

REACH SVHC

Not Reviewed

Halogen-Free

Status

Not Reviewed

Need more information on product environmental compliance?

Email productcompliance@molex.com
 For a multiple part number RoHS Certificate of Compliance, [click here](#)

Please visit the [Contact Us](#) section for any non-product compliance questions.

China RoHS



Search Parts in this Series

[49517Series](#)

Mates With

[35978 Header](#)

Use With

[359229002 Wire-to-Board Terminal](#). [49518 TPA™](#)

DWG. NO.
SD-49517-001

SIMILAR ITEM

PROJECT NO.

B

DO NOT SCALE DRAWING
DIMENSION IN METRIC

8 7 6 5 4 3 2 1

F

E

D

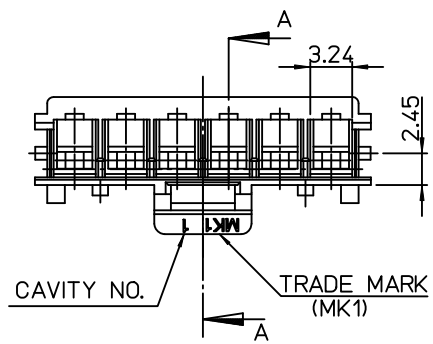
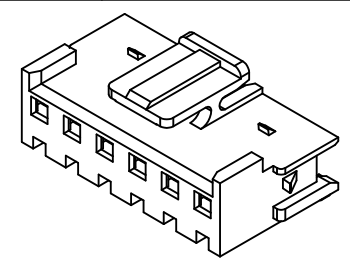
C

B

A

NOTES

1. MATERIAL : POLYAMIDE66,UL94V-0
2. FINISH : NATURAL COLOR
3. APPLICABLE TERMINAL : 35922-9002
4. USED WITH T.P.A : 49518 SERIES
5. MATED WITH HEADER ASSY : 35978 SERIES

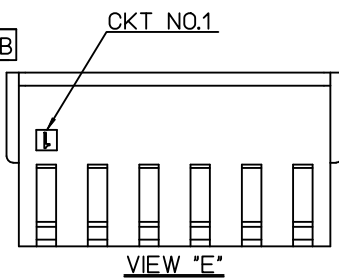
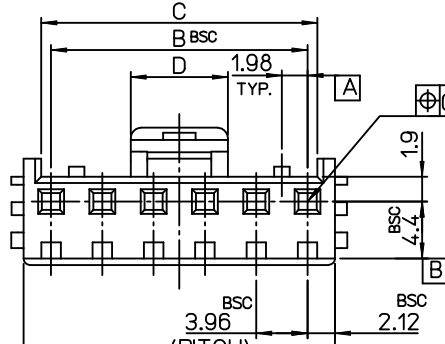
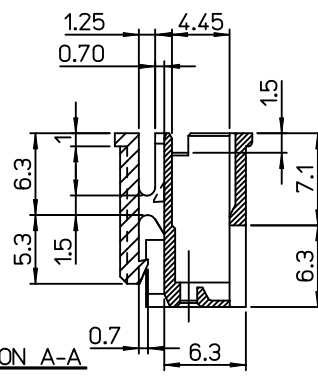
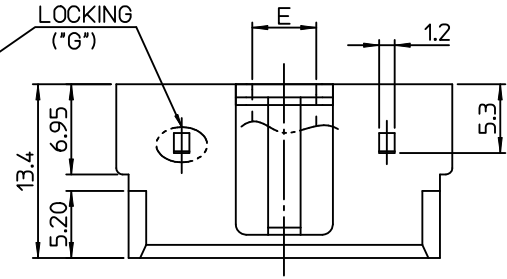
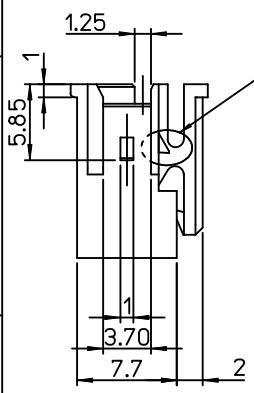


LEGEND

49517 - ** 0 *

COLOR - 0 : NATURAL COLOR
2 : RED COLOR
3 : YELLOW COLOR
4 : BLUE COLOR

CIRCUIT SIZE



| E | D | C | B | A | MATERIAL NO. | CKT' | TYPE'G' |
|-------|-------|-------|-------|-------|--------------|------|-----------------|
| 17.34 | 19.9 | 56.88 | 55.44 | 59.68 | - 150* | 15 | LOCKING |
| | | 52.92 | 51.48 | 55.72 | - 140* | 14 | |
| | | 48.96 | 47.52 | 51.76 | - 130* | 13 | |
| | | 45.00 | 43.56 | 47.80 | - 120* | 12 | |
| | | 41.04 | 39.60 | 43.84 | - 110* | 11 | |
| | | 37.08 | 35.64 | 39.88 | - 100* | 10 | |
| 15.14 | 17.7 | 33.12 | 31.68 | 35.92 | - 090* | 9 | LOCKING |
| 13.14 | 15.7 | 29.16 | 27.72 | 31.96 | - 080* | 8 | |
| 8.31 | 10.87 | 25.20 | 23.76 | 28.0 | - 070* | 7 | |
| 4.94 | 7.5 | 21.24 | 19.80 | 24.04 | - 060* | 6 | WITHOUT LOCKING |
| | | 17.28 | 15.84 | 19.82 | - 050* | 5 | |
| | | 13.32 | 11.88 | 15.86 | - 040* | 4 | |
| | | 9.36 | 7.92 | 11.90 | - 030* | 3 | |
| 0.94 | 3.5 | 5.4 | 3.96 | 7.94 | 49517- 020* | 2 | WITHOUT LOCKING |

| | | | | | | | | | | |
|--|--------------------------------------|--|-----------------|-------------------|--|--|--|-----------------------------|---------------------|--|
| REVISED (ADDED COLOR) ECN NO. KOR2007-0104 DRWN: J.B.JIN 07/03/27 CHK: W.Y.YANG APPR: E.H.JUNG | QUALITY SYMBOLS MAJOR CRITICAL | GENERAL TOLERANCES: (UNLESS SPECIFIED) | | SCALE 1 : 1 | DESIGN UNITS <input checked="" type="checkbox"/> MM <input type="checkbox"/> INCH | THIRD ANGLE PROJECTION <input checked="" type="checkbox"/> THIRD ANGLE <input type="checkbox"/> FIRST ANGLE | DIMENSIONS: <input type="checkbox"/> MM <input type="checkbox"/> INCH <input checked="" type="checkbox"/> MM ONLY | | SHT REV | |
| | | 4 PLACES ±0. ±- | 3 PLACES ±0. ±- | 2 PLACES ±0.25 ±- | 1 PLACE ±0.25 ±- | DRAWN BY & DATE J.B.JIN 05/02/18 | TITLE: 3.96 W/B CONN.HOUSING (TPA TYPE) | | | |
| | | ANGULAR: ± ° | | | | CHECKED BY & DATE W.Y.YANG 05/02/18 | APPROVED BY & DATE C.W.LEE 05/02/18 | | | |
| | | DRAFT WHERE APPLICABLE MUST REMAIN WITHIN DIMENSIONS | | | | CAD FILENAME e49517aa.mi | MATERIAL NO. SEE CHART | DRAWING NO. SD-49517-001 | SHEET NO. 1 OF 1 | |

THIS DRAWING CONTAINS INFORMATION THAT IS PROPRIETARY TO MOLEX INCORPORATED AND SHOULD NOT BE USED WITHOUT WRITTEN PERMISSION.

8 7 6 5 4 3 2 1 KOREA MX-A3