

PLEASE CHECK WWW.MOLEX.COM FOR LATEST PART INFORMATION

Part Number: [0473633002](#)
Status: **Active**
Description: 1.27mm (.050") Pitch Combo SAS Cable Connector, Composite Type, with Arris on both surface, 0.38µm (15µ") Gold(Au) Plating, 22 Circuits, LeadFree

Documents:

[3D Model](#) [RoHS Certificate of Compliance \(PDF\)](#)
[Drawing \(PDF\)](#)

General

Product Family	I/O Connectors
Series	47363
Application	Wire-to-Board
Comments	Composite Type: Power (Straight); Signal (Right Angle)
Component Type	Terminals
Product Name	Receptacle
Type	SAS
	N/A

Physical

Boot Color	N/A
Circuits (Loaded)	22
Circuits (maximum)	22
Circuits Detail	Signal 7, Power 15
Durability (mating cycles max)	50
Gender	Receptacle
Keying to Mating Part	Yes
Lock to Mating Part	Yes
Material - Metal	Copper Alloy
Material - Plating Mating	Gold
Material - Plating Termination	Tin
Number of Rows	1
Orientation	Right Angle
PCB Locator	No
PCB Retention	None
Packaging Type	Tray
Panel Mount	No
Pitch - Mating Interface (in)	0.050 In
Pitch - Mating Interface (mm)	1.27 mm
Pitch - Term. Interface (in)	0.050 In
Pitch - Term. Interface (mm)	1.27 mm
Plating min: Mating (µin)	15
Plating min: Mating (µm)	0.38
Plating min: Termination (µin)	50
Plating min: Termination (µm)	1.27
Polarized to Mating Part	Yes
Polarized to PCB	Yes
Ports	2
Temperature Range - Operating	-35°C to +85°C
Termination Interface: Style	Through Hole
Waterproof / Dustproof	No
Wire Size AWG	N/A

Electrical

Current - Maximum per Contact	1.5A
Voltage - Maximum	15V DC

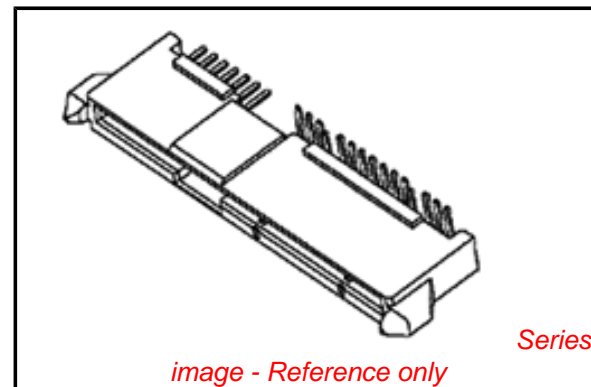


image - Reference only

EU RoHS

**ELV and RoHS
Compliant**
**REACH SVHC
Contains SVHC: No**
**Halogen-Free
Status**

China RoHS



Not Reviewed

**Need more information on product
environmental compliance?**

Email productcompliance@molex.com
 For a multiple part number RoHS Certificate of Compliance, [click here](#)

Please visit the [Contact Us](#) section for any non-product compliance questions.

Search Parts in this Series
 47363Series

Material Info

Reference - Drawing Numbers

Sales Drawing

SD-47363-100

This document was generated on 05/28/2010

PLEASE CHECK WWW.MOLEX.COM FOR LATEST PART INFORMATION

F

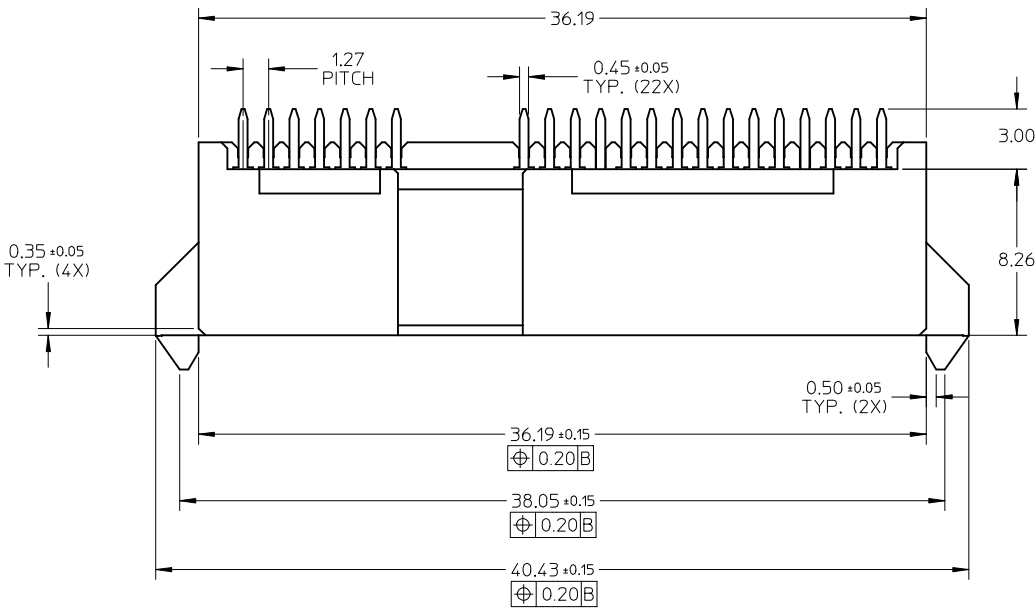
E

D

C

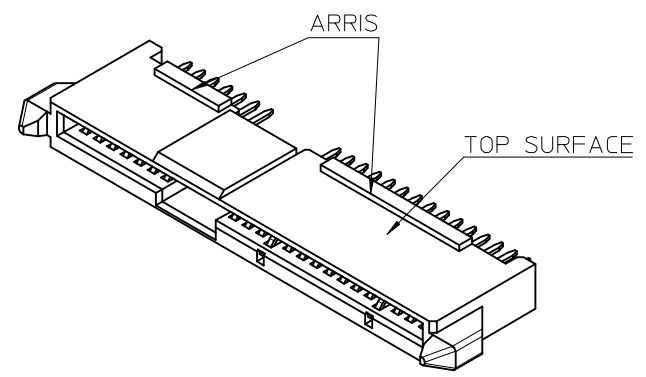
B

A

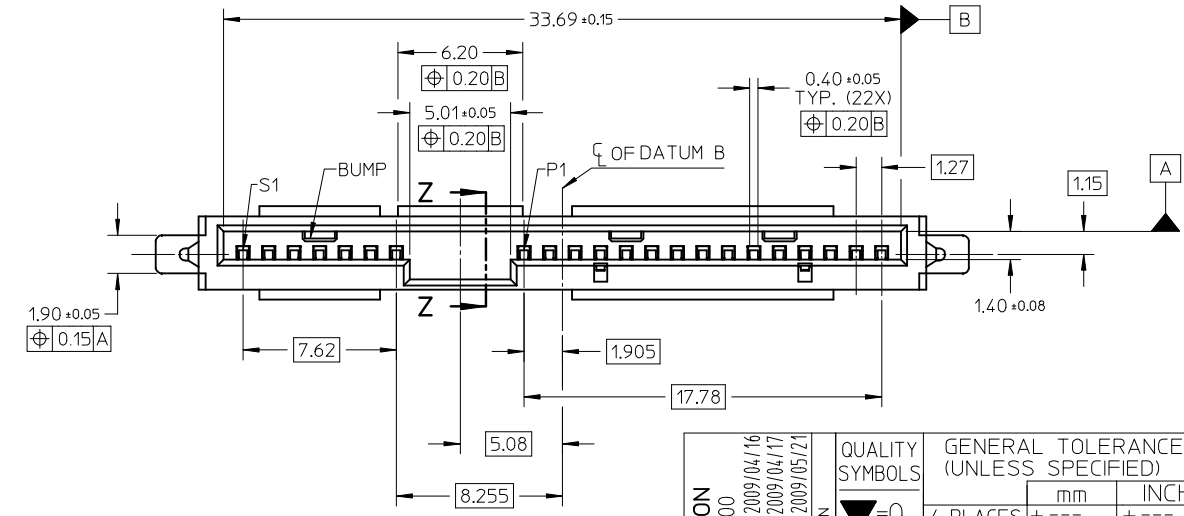
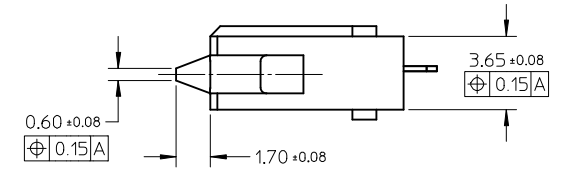


NOTES:

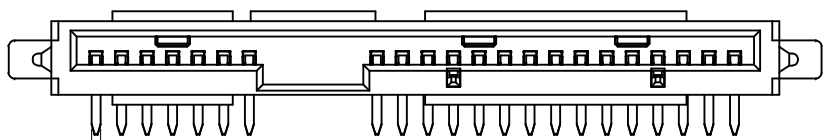
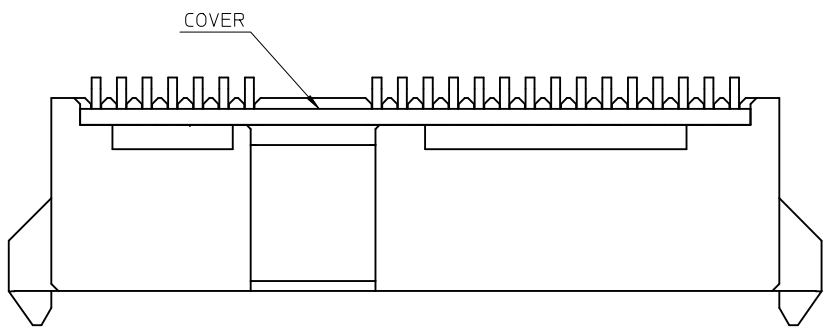
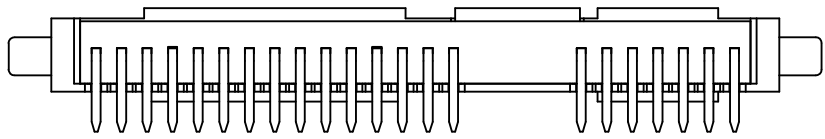
- MATERIAL:
 - HOUSING: THERMAL PLASTIC, GLASS FILLED, UL94V-0, COLOR: BLACK.
 - TERMINAL: COPPER ALLOY, THICKNESS=0.25MM.
- TERMINAL PLATING:
 - CONTACT AREA: GOLD PLATED, SEE TABLE.
 - SOLDER AREA: PURE TIN, THICKNESS=1.27 MICRONS MINIMUM.
 - UNDER PLATE: NICKLE, THICKNESS=1.27 MICRONS MINIMUM.
- PRODUCT SPECIFICATION: REFER TO PS-47362-001.
- PACKAGING METHOD: REFER TO PK-47362-001.
- PRODUCT COMPLIANT TO RoHS DIRECTIVE 2002/95/EC AND ELV DIRECTIVE 2000/53/EC



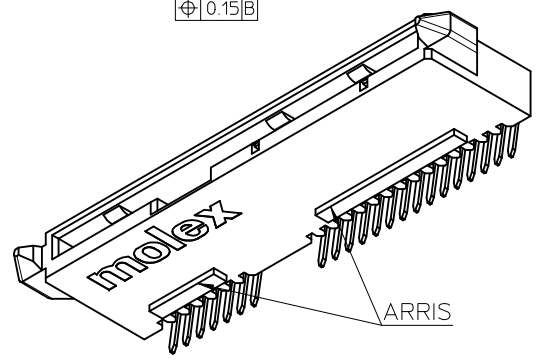
STRAIGHT TYPE



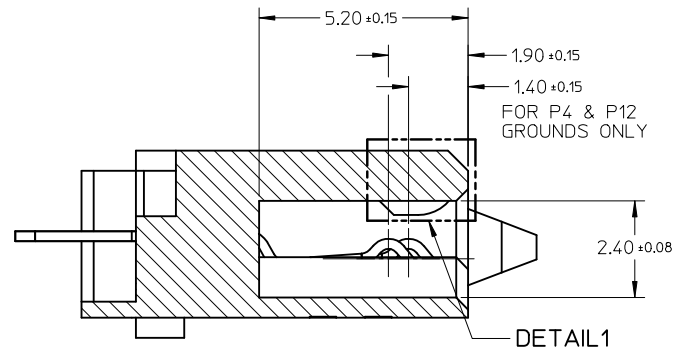
ADD NEW OPTION EC NO: SH2009-0500 DRWN: XJ SONG 2009/04/16 CH'KD: XJ SONG 2009/04/17 APPR: HWANG 2009/05/21	QUALITY SYMBOLS ▽=0 ▽=0	GENERAL TOLERANCES (UNLESS SPECIFIED)		DIMENSION STYLE MM ONLY	SCALE 4:1	DESIGN UNITS METRIC	THIRD ANGLE PROJECTION		
		4 PLACES ± --- ± ---	3 PLACES ± --- ± ---	2 PLACES ± 0.2 ± ---	1 PLACE ± 0.25 ± ---	DRAWN BY BCHEN26	DATE 2005/12/05	TITLE COMBO SAS RECEPTACLE CABLE END	
		ANGULAR ± 3 °				CHECKED BY DIXON	DATE 2005/12/05	MOLEX INCORPORATED	
		DRAFT WHERE APPLICABLE MUST REMAIN WITHIN DIMENSIONS				APPROVED BY GRATE	DATE 2005/12/05	MATERIAL NO. SEE SHEETS	DOCUMENT NO. SD-47363-100
				SIZE A3	THIS DRAWING CONTAINS INFORMATION THAT IS PROPRIETARY TO MOLEX INCORPORATED AND SHOULD NOT BE USED WITHOUT WRITTEN PERMISSION				
						SHEET NO. 1 OF 5			



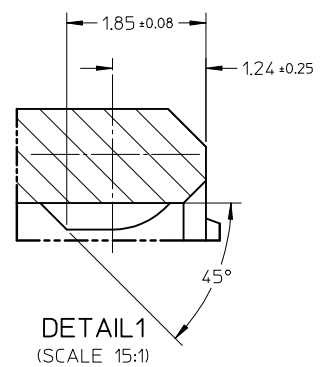
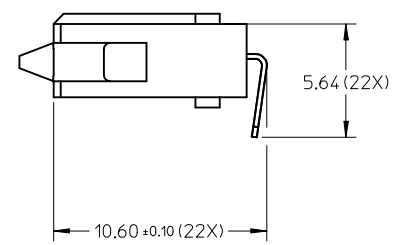
0.45 ±0.05
TYP. (22X)
⌀ 0.15



RIGHT ANGLE(90 DEGREE) TYPE
OTHER DIMENSIONS REFER TO STRAIGHT TYPE



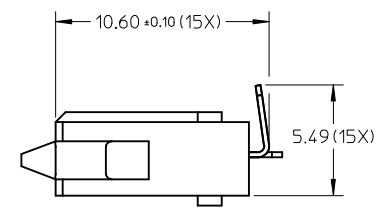
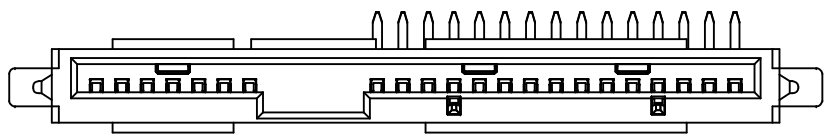
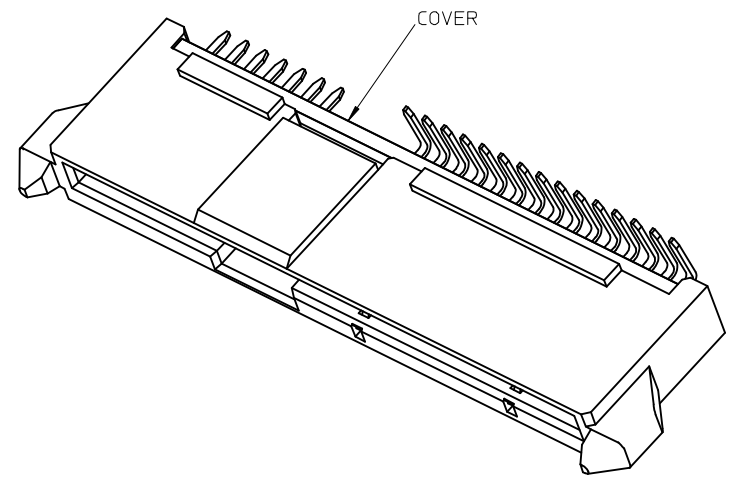
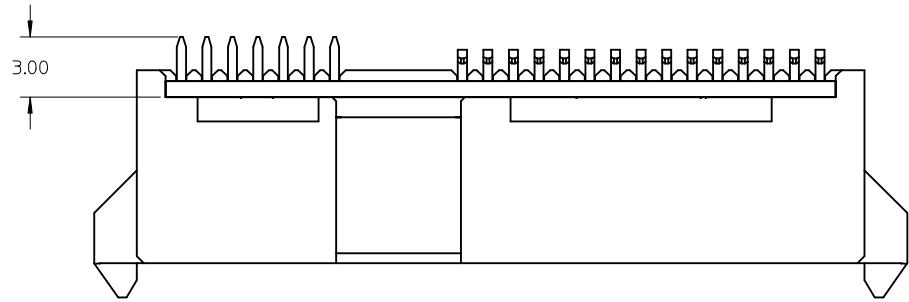
SECTION Z-Z
(SCALE 8:1)



DETAIL 1
(SCALE 15:1)

SEE SHEET 1 EC NO: SHZ009-0500 TDRW: XJ SONG 2009/04/16 CHKD: XJ SONG 2009/04/17 APPR: HWANG 2009/05/21	QUALITY SYMBOLS	GENERAL TOLERANCES (UNLESS SPECIFIED)		DIMENSION STYLE MM ONLY		SCALE 4:1	DESIGN UNITS METRIC	THIRD ANGLE PROJECTION
	▽=0 ∇=0	mm	INCH	DRAWN BY BCHEN26	DATE 2005/12/05	TITLE COMBO SAS RECEPTACLE CABLE END		
		4 PLACES ± --- ± ---	3 PLACES ± --- ± ---	CHECKED BY DIXON	DATE 2005/12/05	MOLEX INCORPORATED		
		2 PLACES ± 0.2 ± ---	1 PLACE ± 0.25 ± ---	APPROVED BY GRATE	DATE 2005/12/05	DOCUMENT NO. SD-47363-100		
		ANGULAR ± 3 °		MATERIAL NO.		SHEET NO.		
	DRAFT WHERE APPLICABLE MUST REMAIN WITHIN DIMENSIONS		SEE SHEETS		THIS DRAWING CONTAINS INFORMATION THAT IS PROPRIETARY TO MOLEX INCORPORATED AND SHOULD NOT BE USED WITHOUT WRITTEN PERMISSION		2 OF 5	

10 9 8 7 6 5 4 3 2 1



COMPOSITE TYPE
OTHER DIMENSIONS REFER TO STRAIGHT TYPE OR RIGHT ANGLE(90 DEGREE) TYPE.

SEE SHEET1 EC NO: SH2009-0500 TDR:WXYJSONG 2009/04/16 CHKD:XJSONG 2009/04/17 APPR:HWANG 2009/05/21	QUALITY SYMBOLS	GENERAL TOLERANCES (UNLESS SPECIFIED)	DIMENSION STYLE	SCALE	DESIGN UNITS	THIRD ANGLE PROJECTION	
	$\nabla = 0$ $\triangle = 0$	mm INCH 4 PLACES ± --- ± --- 3 PLACES ± --- ± --- 2 PLACES ± 0.2 ± --- 1 PLACE ± 0.25 ± --- ANGULAR ± 3 °	MM ONLY	4:1	METRIC		
	DESCRIPTION	DRAFT WHERE APPLICABLE MUST REMAIN WITHIN DIMENSIONS	DRAWN BY: BCHEN26 CHECKED BY: DIXON APPROVED BY: GRATE MATERIAL NO.	DATE: 2005/12/05 DATE: 2005/12/05 DATE: 2005/12/05	TITLE: COMBO SAS RECEPTACLE CABLE END MOLEX INCORPORATED		
	REV		SEE SHEETS	DOCUMENT NO.	SHEET NO.		

9 8 7 6 5 4 3 2 1

10 9 8 7 6 5 4 3 2 1

F

E

D

C

B

A

F

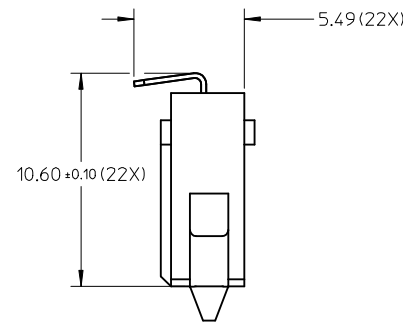
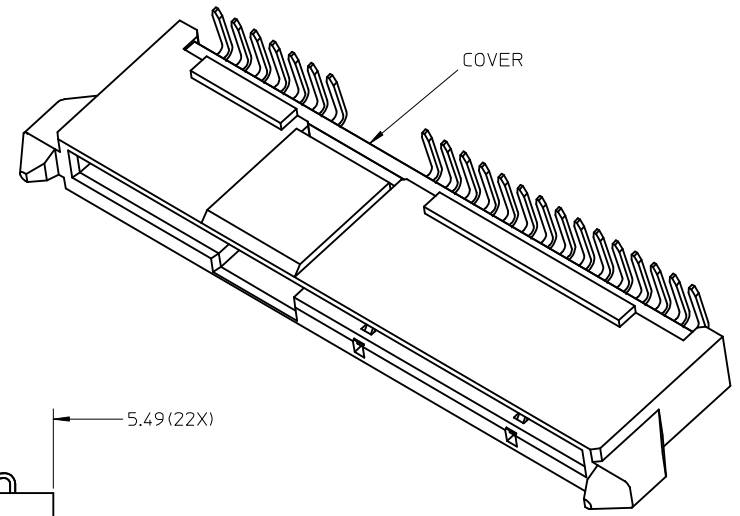
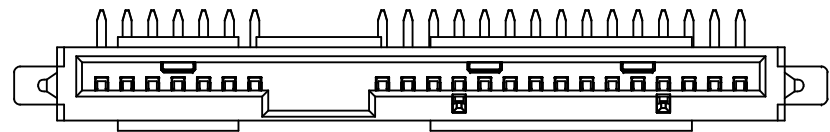
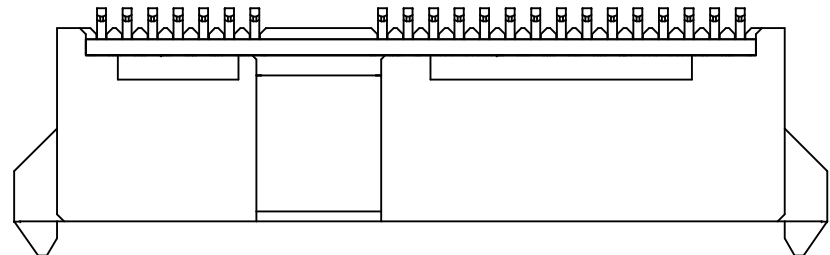
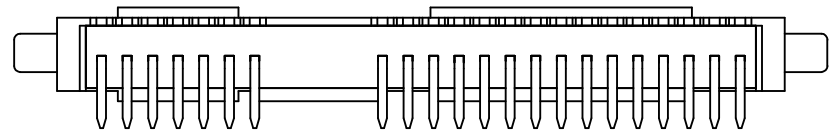
E

D

C

B

A



RIGHT ANGLE(270 DEGREE)TYPE
OTHER DIMENSIONS REFER TO RIGHT ANGLE(90 DEGREE) TYPE.

SEE SHEET1 EC NO: SH2009-0500 2009/04/16 2009/04/17 2009/05/21 DRWN: XJ SONG CHKD: XJ SONG APPR: H WANG	DESCRIPTION REV	QUALITY SYMBOLS	GENERAL TOLERANCES (UNLESS SPECIFIED)	DIMENSION STYLE	SCALE	DESIGN UNITS	THIRD ANGLE PROJECTION		
		$\nabla = 0$ $\sphericalangle = 0$	mm INCH 4 PLACES ± --- ± --- 3 PLACES ± --- ± --- 2 PLACES ± 0.2 ± --- 1 PLACE ± 0.25 ± --- ANGULAR ± 3 °	MM ONLY	4:1	METRIC	DRAWN BY: B CHEN26 DATE: 2005/12/05 CHECKED BY: DIXON DATE: 2005/12/05 APPROVED BY: GRATE DATE: 2005/12/05	TITLE	COMBO SAS RECEPTACLE CABLE END
		DRAFT WHERE APPLICABLE MUST REMAIN WITHIN DIMENSIONS	SEE SHEET 5	MATERIAL NO. DOCUMENT NO.	MOLEX INCORPORATED	SHEET NO.	4 OF 5		
		THIS DRAWING CONTAINS INFORMATION THAT IS PROPRIETARY TO MOLEX INCORPORATED AND SHOULD NOT BE USED WITHOUT WRITTEN PERMISSION							

9 8 7 6 5 4 3 2 1

10	9	8	7	6	5	4	3	2	1	
P/N	PLATE TYPE	REMARK	STRAIGHT OR R/A	P/N	PLATE TYPE	REMARK	STRAIGHT OR R/A			
47363-1000	GOLD FLASH	WITH ARRIS ON BOTH SURFACE	STRAIGHT TYPE	47363-4000	GOLD FLASH	WITH ARRIS ON BOTH SURFACE WITH COVER	RIGHT ANGLE TYPE (270 DEGREE)			
47363-1001	GOLD PLATED 0.76 MICRONS MIN.			47363-4001	GOLD PLATED 0.76 MICRONS MIN.					
47363-1002	GOLD PLATED 0.38 MICRONS MIN.			47363-4002	GOLD PLATED 0.38 MICRONS MIN.					
47363-1010	GOLD FLASH			47363-4010	GOLD FLASH					
47363-1011	GOLD PLATED 0.76 MICRONS MIN.	WITH ARRIS ON TOP SURFACE WITH COVER		47363-4011	GOLD PLATED 0.76 MICRONS MIN.					
47363-1012	GOLD PLATED 0.38 MICRONS MIN.			47363-4012	GOLD PLATED 0.38 MICRONS MIN.					
47363-1020	GOLD FLASH			47363-4020	GOLD FLASH					
47363-1021	GOLD PLATED 0.76 MICRONS MIN.			47363-4021	GOLD PLATED 0.76 MICRONS MIN.					
47363-1022	GOLD PLATED 0.38 MICRONS MIN.	WITH ARRIS ON BOTTOM SURFACE WITH COVER		47363-4022	GOLD PLATED 0.38 MICRONS MIN.					
47363-1030	GOLD FLASH			47363-4030	GOLD FLASH					
47363-1031	GOLD PLATED 0.76 MICRONS MIN.			47363-4031	GOLD PLATED 0.76 MICRONS MIN.					
47363-1032	GOLD PLATED 0.38 MICRONS MIN.			47363-4032	GOLD PLATED 0.38 MICRONS MIN.					
47363-2000	GOLD FLASH	WITH ARRIS ON BOTH SURFACE WITH COVER	RIGHT ANGLE TYPE (90 DEGREE)							
47363-2001	GOLD PLATED 0.76 MICRONS MIN.									
47363-2002	GOLD PLATED 0.38 MICRONS MIN.									
47363-2010	GOLD FLASH									
47363-2011	GOLD PLATED 0.76 MICRONS MIN.	WITH ARRIS ON TOP SURFACE WITH COVER								
47363-2012	GOLD PLATED 0.38 MICRONS MIN.									
47363-2020	GOLD FLASH									
47363-2021	GOLD PLATED 0.76 MICRONS MIN.			WITH ARRIS ON BOTTOM SURFACE WITH COVER						
47363-2022	GOLD PLATED 0.38 MICRONS MIN.									
47363-2030	GOLD FLASH									
47363-2031	GOLD PLATED 0.76 MICRONS MIN.	WITHOUT ARRIS WITH COVER								
47363-2032	GOLD PLATED 0.38 MICRONS MIN.									
47363-3000	GOLD FLASH		WITH ARRIS ON BOTH SURFACE WITH COVER	COMPOSITE TYPE						
47363-3001	GOLD PLATED 0.76 MICRONS MIN.									
47363-3002	GOLD PLATED 0.38 MICRONS MIN.									
47363-3010	GOLD FLASH									
47363-3011	GOLD PLATED 0.76 MICRONS MIN.	WITH ARRIS ON TOP SURFACE WITH COVER								
47363-3012	GOLD PLATED 0.38 MICRONS MIN.									
47363-3020	GOLD FLASH									
47363-3021	GOLD PLATED 0.76 MICRONS MIN.		WITH ARRIS ON BOTTOM SURFACE WITH COVER							
47363-3022	GOLD PLATED 0.38 MICRONS MIN.									
47363-3030	GOLD FLASH									
47363-3031	GOLD PLATED 0.76 MICRONS MIN.	WITHOUT ARRIS WITH COVER								
47363-3032	GOLD PLATED 0.38 MICRONS MIN.									

SEE SHEET1 EC NO: SHZ009-0500 T1 DRW: XJ.SONG 2009/04/16 CHKD: XJ.SONG 2009/04/17 APPR: HWANG 2009/05/21	QUALITY SYMBOLS	GENERAL TOLERANCES (UNLESS SPECIFIED)		DIMENSION STYLE		SCALE	DESIGN UNITS	THIRD ANGLE PROJECTION	
	=0 =0	mm	INCH	MM ONLY		4:1	METRIC		
		4 PLACES ± --- ± ---	BCHEN26	DATE	TITLE				
		3 PLACES ± --- ± ---	CHECKED BY	DATE	COMBO SAS RECEPTACLE CABLE END				
	2 PLACES ± 0.2 ± ---	DIXON	2005/12/05						
	1 PLACE ± 0.25 ± ---	APPROVED BY	DATE						
	ANGULAR ± 3 °	GRATE	2005/12/05						
		MATERIAL NO.		MOLEX INCORPORATED					
				DOCUMENT NO. SD-47363-100					
				SHEET NO. 5 OF 5					
				DRAFT WHERE APPLICABLE MUST REMAIN WITHIN DIMENSIONS					
		SIZE		THIS DRAWING CONTAINS INFORMATION THAT IS PROPRIETARY TO MOLEX INCORPORATED AND SHOULD NOT BE USED WITHOUT WRITTEN PERMISSION					
		A3							