

**PLEASE CHECK WWW.MOLEX.COM FOR LATEST PART INFORMATION**

**Part Number:** [0003061044](#)  
**Status:** **Active**  
**Overview:** [standard\\_062](#)  
**Description:** 1.57mm (.062") Diameter Standard .062 Pin and Socket Receptacle Housing, Dual row, without Panel Mount Ears, PA Polyamide Nylon 6/6, UL 94V-2, 4 Circuits

**Documents:**

[3D Model](#) [Packaging Specification \(PDF\)](#)  
[Drawing \(PDF\)](#) [RoHS Certificate of Compliance \(PDF\)](#)

**Agency Certification**

CSA LR19980  
 UL E29179

**General**

Product Family Crimp Housings  
 Series [2004](#)  
 Overview [standard\\_062](#)  
 Product Name Standard .062"

**Physical**

Circuits (maximum) 4  
 Circuits Detail (2 x 2)  
 Color - Resin Natural  
 Flammability 94V-2  
 Gender Female  
 Glow-Wire Compliant No  
 Lock to Mating Part Yes  
 Material - Resin Nylon  
 Number of Rows 2  
 Packaging Type Bag  
 Panel Mount No  
 Pitch - Mating Interface (in) 0.145 In  
 Pitch - Mating Interface (mm) 3.68 mm  
 Polarized to Mating Part Yes  
 Stackable No  
 Temperature Range - Operating -40°C to +105°C

**Electrical**

Current - Maximum per Contact 5A

**Material Info**

Old Part Number 2004-R1

**Reference - Drawing Numbers**

Sales Drawing SD-2004-\*

**EU RoHS**

**ELV and RoHS Compliant**  
**REACH SVHC Contains SVHC: No**  
**Halogen-Free Status**  
**Not Reviewed**

**China RoHS**



**Need more information on product environmental compliance?**

Email [productcompliance@molex.com](mailto:productcompliance@molex.com)  
 For a multiple part number RoHS Certificate of Compliance, [click here](#)

Please visit the [Contact Us](#) section for any non-product compliance questions.

**Search Parts in this Series**

[2004Series](#)

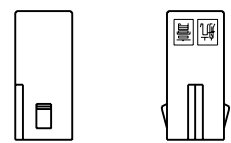
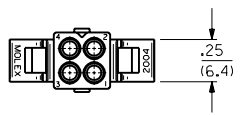
**Mates With**

[03-06-2043](#) Free Hanging Plug, [03-06-2044](#) Panel Mount Plug

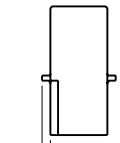
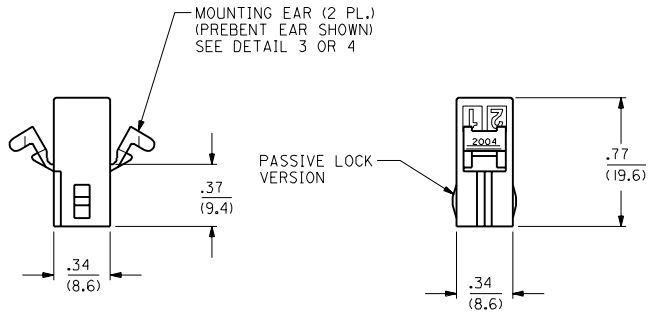
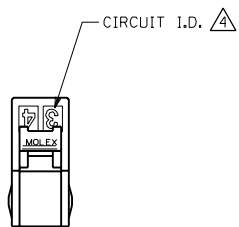
**Use With**

[1560](#) male crimp terminals, [1561](#) female crimp terminals, [4559](#) , [4529](#) , [2190](#) , [2189](#) , [1787](#) female crimp terminals, [1786](#) male crimp terminals, [1854](#) male crimp terminals, [1855](#) female crimp terminals, [1778](#) male PC tail terminals, [1779](#) female PC tail terminals

**PLEASE CHECK WWW.MOLEX.COM FOR LATEST PART INFORMATION**

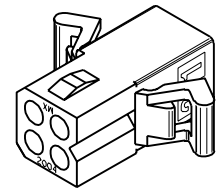
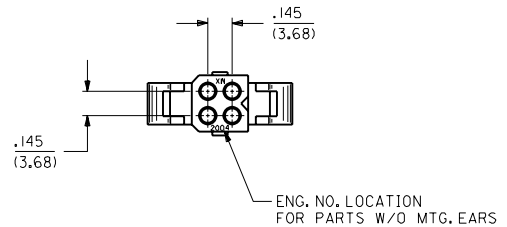


DETAIL 1  
POSITIVE LOCK VERSION  
ENG. NO. 2004-R5\*



DETAIL 2  
RECEPTACLE WITHOUT EARS  
OR DETENTS, ENG. NO. 2004-R3\*

ALLOWANCE OF .000/.060 (0.00/1.52) (2 PL.) FOR CUT OFF OF MOUNTING EARS



RECEPTACLE HOUSING

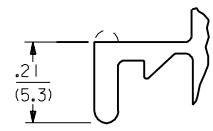
DIMENSIONS SHOWN METRIC (INCH)		▽ = 0 ▼ = 0		REVISE ONLY ON CAD SYSTEM	
UNLESS OTHERWISE SPECIFIED TOLERANCES: ANGULAR ± .0010		TITLE		PLUG AND RECEPTACLE HOUSINGS, 4 CIRCUIT .062/(1.57) DIA.	
3 PLACE	± .010	---	---	MOLEX INCORPORATED	SHEET NO. 2
2 PLACE	± .014	± 0.25	---	L15LEJLL	60532
1 PLACE	---	± 0.36	---	U.S.A.	DATE 8/27/91
DRAFT WHERE APPLICABLE MUST REMAIN WITHIN DIMENSIONS		PART NO.		DRAWING NO.	
SEE CHART		SD-2004-*			
DRW. BY	RS	CHKD. BY	RW	FILE NAME	H2004C4
APP'D. BY	RS	SCALE	4: 1	DIV.	CP
LTR.	REVISIONS	LTR.	REVISIONS	SIZE	C

PLUG		
PART NO.	ENG. NO.	
03-06-2043	2004-P	
03-06-7043	2004-PBK	
03-06-2044	2004-PI	
03-06-7044	2004-PIBK	
PRELIMINARY	2004-P2	
03-06-7045	2004-PIRD	<b>OBSOLETE</b>
03-06-7046	2004-PIBN	<b>OBSOLETE</b>
03-06-7047	2004-PIOR	<b>OBSOLETE</b>

RECEPTACLE		
PART NO.	ENG. NO.	
03-06-1043	2004-R	
03-06-6043	2004-RBK	
03-06-1044	2004-RI	
03-06-6044	2004-RIBK	<b>OBSOLETE</b>
03-06-1046	2004-R3	<b>OBSOLETE</b>
03-06-1052	2004-R5	<b>OBSOLETE</b>
03-06-6052	2004-R5BK	<b>OBSOLETE</b>
PRELIMINARY	2004-R2	
03-06-6045	2004-RRD	<b>OBSOLETE</b>
03-06-6046	2004-RBN	<b>OBSOLETE</b>
03-06-6048	2004-ROR	<b>OBSOLETE</b>

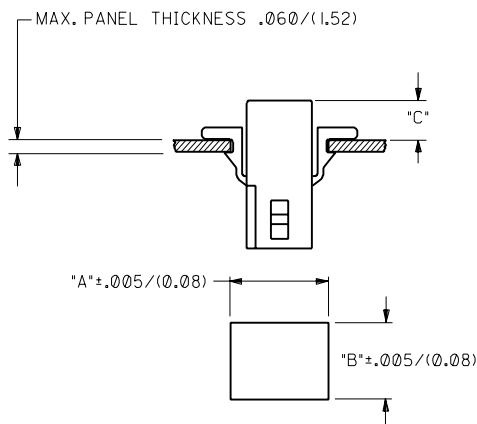
**LEGEND:**

2004-\*\*\*  
 P = PLUG  
 R = RECEPTACLE  
 BLANK = WITH STANDARD EARS  
 1 = WITHOUT EARS  
 2 = WITH PREBENT EARS  
 3 = W/O EARS, W/O DETENTS  
 5 = W/O EARS, WITH POSITIVE LOCKS

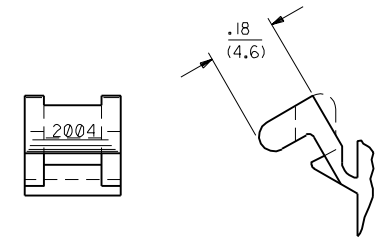


COLOR: \_\_\_\_\_  
 BLANK = NATURAL  
 AM=AMBER BK=BLACK BU=BLUE  
 BN=BROWN GY=GRAY GN=GREEN  
 OR=ORANGE RD=RED YW=YELLOW

**NOTE:**  
 THIS DRAWING ENCOMPASSES ALL 2004 SERIES HOUSINGS EXCEPT 2004-R7.



- NOTES:**
- MATERIAL - NYLON TYPE 6/6, 94V-2
  - THIS PRODUCT COMPLIES WITH MOLEX PRODUCT SPEC 02-06.
  - HOUSINGS FOR USE WITH MOLEX .062/(1.57) DIA. SERIES TERMINALS.
  - CIRCUIT I.D. NUMBERS ON SIDE OF HOUSING APPEAR ON PARTS FROM TOOLS BUILT AFTER 8/26/91.
  - THIS DIMENSION .020/(0.51) LESS ON TOOLS BUILT PRIOR TO 8/26/91.



**DETAIL 4**

PREBENT MOUNTING EARS  
 (SCALE 4:1)

HOUSING	DIM. "A"	DIM. "B"	PREBENT EAR DIM. "C"	STD. EAR DIM. "C"
PLUG	.615 (15.62)	.465 (11.81)	.26 (6.6)	.26 (6.6)
RECEPTACLE	.506 (12.85)	.400 (10.16)	.24 (6.1)	.24 (6.1)

DIMENSIONS SHOWN (METRIC) INCH  
 UNLESS OTHERWISE SPECIFIED TOLERANCES ANGULAR ± 10°

PLACES	INCH	METRIC
3 PLACE	± .010	---
2 PLACE	± .014	± 0.25
1 PLACE	---	± 0.36

DRAFT WHERE APPLICABLE MUST REMAIN WITHIN DIMENSIONS

DRWG. NO. SD-2004-\*

MOLEX INCORPORATED U.S.A.

DATE 8/28/91

REVISIONS

REV.	DATE	BY	CHK'D.	SCALE
1		JJS	RW	2:1
2		RS		

REV.	DATE	BY	CHK'D.	SCALE
1		JJS	RW	2:1
2		RS		