

PLEASE CHECK WWW.MOLEX.COM FOR LATEST PART INFORMATION

Part Number: [0003061022](#)
Status: **Active**
Overview: [standard_062](#)
Description: 1.57mm (.062") Diameter Standard .062 Pin and Socket Receptacle Housing, 2 Circuits, With Pre-bent Mounting Ears

Documents:

[3D Model](#) [Product Specification PS-02-06 \(PDF\)](#)
[Drawing \(PDF\)](#) [RoHS Certificate of Compliance \(PDF\)](#)
[Packaging Specification \(PDF\)](#)

Agency Certification

CSA	LR19980
TUV	R72081037
UL	E29179

General

Product Family	Crimp Housings
Series	1625
Comments	Polarized to Mating Part
MolexKits	Yes
Overview	standard_062
Product Name	Standard .062"

Physical

Breakaway	No
Circuits (maximum)	2
Circuits Detail	1x2
Color - Resin	Natural
Flammability	94V-2
Gender	Receptacle
Glow-Wire Compliant	No
Keying to Mating Part	None
Lock to Mating Part	Yes
Material - Resin	Nylon
Number of Rows	1
Packaging Type	Bag
Panel Mount	Yes
Pitch - Mating Interface (in)	0.145 In
Pitch - Mating Interface (mm)	3.68 mm
Pitch - Term. Interface (in)	0.145 In
Pitch - Term. Interface (mm)	3.96 mm
Polarized to Mating Part	Yes
Stackable	No
Temperature Range - Operating	-40°C to +105°C

Electrical

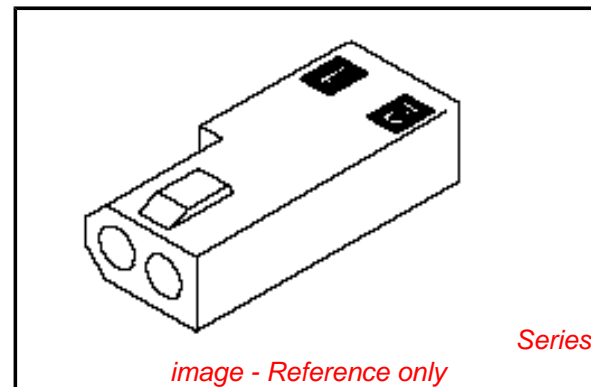
Current - Maximum per Contact	5A
-------------------------------	----

Material Info

Old Part Number	1625-2R2
-----------------	----------

Reference - Drawing Numbers

Product Specification	PS-02-06
Sales Drawing	SD-1625-2*



EU RoHS

ELV and RoHS Compliant
REACH SVHC
Contains SVHC: No
Halogen-Free
Status

China RoHS



Need more information on product environmental compliance?

Email productcompliance@molex.com
 For a multiple part number RoHS Certificate of Compliance, [click here](#)

Please visit the [Contact Us](#) section for any non-product compliance questions.

Search Parts in this Series

[1625Series](#)

Mates With

[1625 Plug](#)

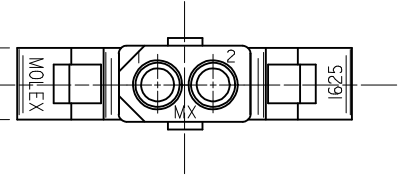
Use With

Female Crimp Terminals [1561Link:4559](#), [4529](#), [2190](#), [2189](#), [1787](#), [1855](#). Male Crimp Terminals [1560](#), [1786](#), [1854](#), [1778](#). Male PC Tail Terminals. [1779](#) Female PC Tail Terminals

This document was generated on 06/07/2010

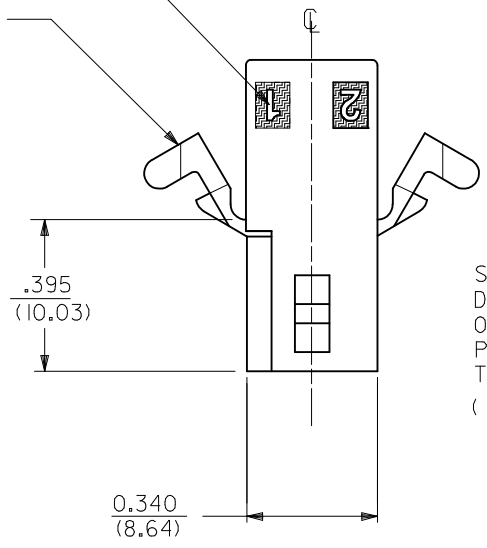
PLEASE CHECK WWW.MOLEX.COM FOR LATEST PART INFORMATION

.187
(4.75)

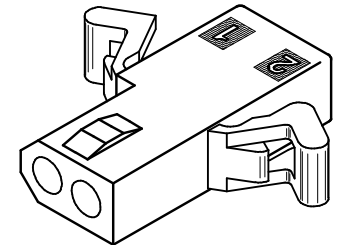
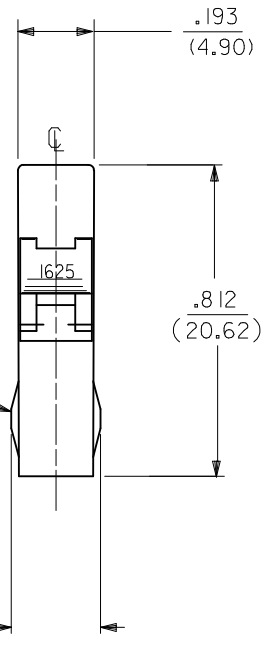


△ CIRCUIT I.D.

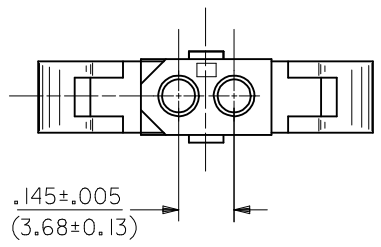
MOUNTING EAR (2 PL)
(WHEN SPECIFIED)
SEE DETAIL 3 OR 4



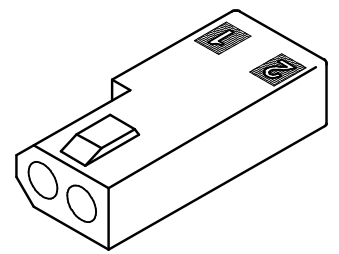
STANDARD
DETENT SHOWN.
OPTIONAL
POSITIVE LOCK
THIS SIDE ONLY
(SEE NOTE △5)



RECEPTACLE HOUSING
(1625-2R2 SHOWN)



OPTIONAL POSITIVE LOCK
ONE SIDE ONLY
SCALE 4:1



RECEPTACLE HOUSING
(1625-2R3 SHOWN)

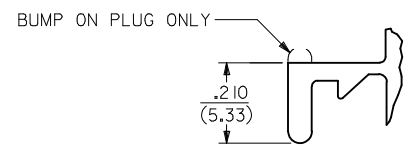
UPDATE TITLE BLOCK EC NO: UCP2007-1980 DRAWN: PRIDDER 2007/04/13 CHKD: AELHAG 2007/04/16 APPR: FSMITH 2007/04/19	QUALITY SYMBOLS ▽=0 ▽=0	GENERAL TOLERANCES (UNLESS SPECIFIED)		DIMENSION STYLE IN/MM	SCALE 4:1	DESIGN UNITS INCH	THIRD ANGLE PROJECTION
		4 PLACES ± --- ± --- 3 PLACES ± --- ± .007 2 PLACES ± 0.18 ± .010 1 PLACE ± 0.25 ± ---	mm INCH DRAWN BY DATE JJS 1988/04/14	TITLE PLUG & RECEPTACLE 2 CIRCUIT HOUSINGS .062/(1.57) DIA.			
		ANGULAR ± 1°	CHECKED BY DATE RW 1988/04/14	MATERIAL NO. SEE CHART			
		DRAFT WHERE APPLICABLE MUST REMAIN WITHIN DIMENSIONS	APPROVED BY DATE RAS 1988/04/14	MOLEX INCORPORATED DOCUMENT NO. SD-1625-2*			
REV AE1	DESCRIPTION	SIZE THIS DRAWING CONTAINS INFORMATION THAT IS PROPRIETARY TO MOLEX INCORPORATED AND SHOULD NOT BE USED WITHOUT WRITTEN PERMISSION		SHEET NO. 2 OF 3			

PLUG	
PART NO.	ENG. NO.
03-06-7023	I625-2P1BK
03-06-2023	I625-2P1
03-06-7027	I625-2P2BK
03-06-2024	I625-2P2

RECEPTACLE		
PART NO.	ENG. NO.	
03-06-6023	I625-2R1BK	
03-06-1020	I625-2R3	OBSOLETE
03-06-1023	I625-2R1	
03-06-1022	I625-2R2	
03-06-6025	I625-2R2RD	OBSOLETE
03-06-6026	I625-2R2GN	OBSOLETE
03-06-6027	I625-2R2BU	OBSOLETE
03-06-6022	I625-2R2BK	OBSOLETE
03-06-6028	I625-2R1BU	OBSOLETE

RECEPTACLE LEGEND:
I625-2R**

CIRCUIT SIZE
R = RECEPTACLE



BLANK = WITH STANDARD MOUNTING EARS; WITH DETENTS
1 = WITHOUT MOUNTING EARS; WITH DETENTS
2 = WITH PREBENT MOUNTING EARS; WITH DETENTS
3 = W/O MOUNTING EARS, WITH POSITIVE LOCK

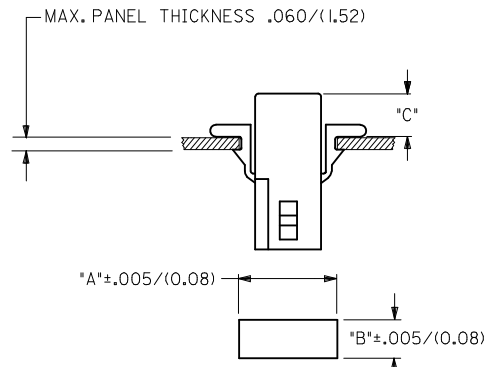
BLANK = NATURAL
AM=AMBER BK=BLACK BU=BLUE
BN=BROWN GY=GRAY GN=GREEN
OR=ORANGE RD=RED YW=YELLOW

PLUG LEGEND:
I625-2P**

CIRCUIT SIZE
P = PLUG

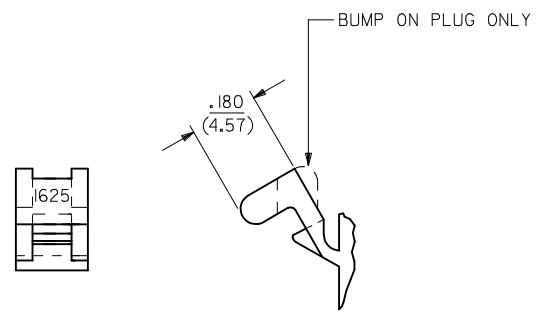
1 = WITHOUT MOUNTING EARS
2 = WITH PREBENT MOUNTING EARS
3 = W/O MOUNTING EARS, WITH POSITIVE LOCK

BLANK = NATURAL
AM=AMBER BK=BLACK BU=BLUE
BN=BROWN GY=GRAY GN=GREEN
OR=ORANGE RD=RED YW=YELLOW



RECOMMENDED HOLE PATTERN

HOUSING	DIM. "A"	DIM. "B"	PREBENT EAR DIM. "C"	STD. EAR DIM. "C"
PLUG	.609 (15.47)	.318 (8.08)	.24 (6.0)	.24 (6.1)
RECEPTACLE	.505 (12.83)	.265 (6.73)	.25 (6.4)	.25 (6.4)



DETAIL 4

PREBENT MOUNTING EARS
(SCALE 4:1)

- NOTES:
- MATERIAL - NYLON TYPE 6/6, 94V-2
 - FINISH: NONE
 - PRODUCT SPECIFICATION: PS-02-06
 - PACKAGING SPECIFICATION: PK-1625-001
 - POSITIVE LOCK VERSION REQUIRES USE OF A SCREWDRIVER OR SIMILAR TOOL TO LIFT SHROUD ON PLUG HOUSING IN ORDER TO UNMATE RECEPTACLE HOUSINGS
 - HOUSINGS FOR USE WITH MOLEX .062/(1.57) DIA. SERIES TERMINALS.
 - CIRCUIT I.D. NUMBERS ON SIDE OF HOUSING APPEAR ON PARTS FROM TOOLS BUILT AFTER 07/01/1991.
 - THIS PART CONFORMS TO CLASS B REQUIREMENTS OF COSMETIC SPECIFICATION PS-45499-002.

UPDATE NOTES EC NO: UCP2007-1980 DRW: NRI/DDR 2007/04/13 CHKD: AEL/HAG 2007/04/16 APPR: FSM/LTH 2007/04/19	DESCRIPTION REV: AE1	QUALITY SYMBOLS ▽=0 ▽=0	GENERAL TOLERANCES (UNLESS SPECIFIED) <table border="1"> <tr> <th></th> <th>mm</th> <th>INCH</th> </tr> <tr> <td>4 PLACES</td> <td>± .005</td> <td>± .0005</td> </tr> <tr> <td>3 PLACES</td> <td>± .007</td> <td>± .0007</td> </tr> <tr> <td>2 PLACES</td> <td>± 0.18</td> <td>± .010</td> </tr> <tr> <td>1 PLACE</td> <td>± 0.25</td> <td>± .010</td> </tr> </table>		mm	INCH	4 PLACES	± .005	± .0005	3 PLACES	± .007	± .0007	2 PLACES	± 0.18	± .010	1 PLACE	± 0.25	± .010	DIMENSION STYLE IN/MM	SCALE 2:1	DESIGN UNITS INCH	THIRD ANGLE PROJECTION
			mm	INCH																		
		4 PLACES	± .005	± .0005																		
		3 PLACES	± .007	± .0007																		
2 PLACES	± 0.18	± .010																				
1 PLACE	± 0.25	± .010																				
DRAWN BY: JJS DATE: 1988/04/14 CHECKED BY: RW DATE: 1988/04/14 APPROVED BY: RAS DATE: 1988/04/14			PLUG & RECEPTACLE 2 CIRCUIT HOUSINGS .062(1.57)DIA.																			
MATERIAL NO. SEE CHART DRAFT WHERE APPLICABLE MUST REMAIN WITHIN DIMENSIONS			MOLEX INCORPORATED SD-1625-2*																			
SHEET NO. 3 OF 3			THIS DRAWING CONTAINS INFORMATION THAT IS PROPRIETARY TO MOLEX INCORPORATED AND SHOULD NOT BE USED WITHOUT WRITTEN PERMISSION																			