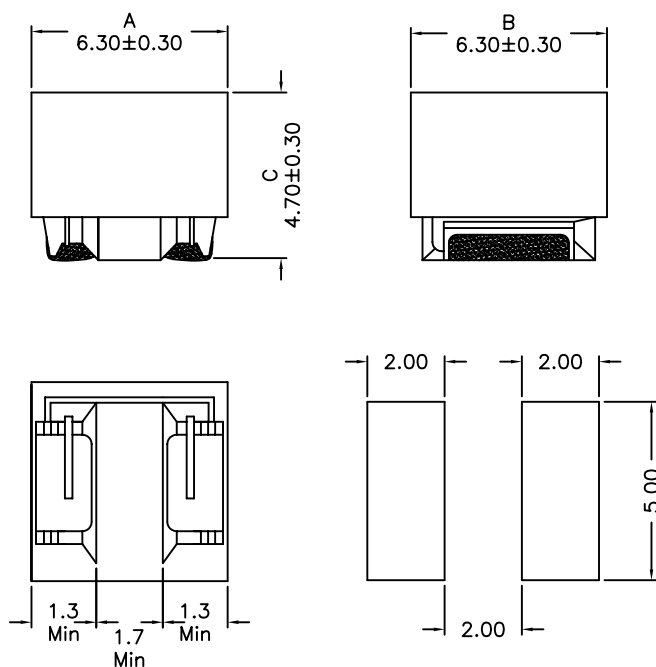


XFWIC575047SH-xxx SERIES INDUCTORS

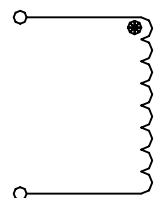
- * True Surface Mount Design
- * Low Cost, Extremely High Quality Product
- * Tape & Reel Packaging Standard, 1000 Pcs per 13" Reel
- * High Inductance, High Power Ratings For Your Laptop, Palmtop, Point of Power Application
- * Custom Versions Available At No Extra Charge
- * Magnetically Shielded

Dimensions:



Suggested Pad Layout

Schematic:



UNLESS OTHERWISE SPECIFIED
TOLERANCES:
N/A
Dimensions in MM

Part Number	Inductance (uH)	MEASUREMENT FREQUENCY	DCR (OHM)	SRF MHz Min.	I RATED (A)
XFWIC575047SH-R27x	0.27	1MHz	$0.006 \pm 40\%$	300	6.0
XFWIC575047SH-R68x	0.68	1MHz	$0.008 \pm 40\%$	180	5.3
XFWIC575047SH-1R0x	1.00	1MHz	$0.011 \pm 40\%$	150	4.7
XFWIC575047SH-1R5x	1.50	1MHz	$0.014 \pm 40\%$	110	3.8
XFWIC575047SH-2R2x	2.20	1MHz	$0.016 \pm 40\%$	80	3.3
XFWIC575047SH-3R3x	3.30	1MHz	$0.019 \pm 40\%$	40	2.6
XFWIC575047SH-4R7x	4.70	1MHz	$0.022 \pm 40\%$	30	2.2

M=±20% K=±10% J=±5%

XFWIC575047SH-xxx SERIES INDUCTORS

Part Number	Inductance (uH)	MEASUREMENT FREQUENCY	DCR (OHM)	SRF MHz Min.	I RATED (A)
XFWIC575047SH-6R8x	6.80	1MHz	0.025±40%	25	1.8
XFWIC575047SH-100x	10.0	1MHz	0.030±40%	20	1.6
XFWIC575047SH-150x	15.0	1MHz	0.059±40%	17	1.3
XFWIC575047SH-220x	22.0	1MHz	0.071±40%	15	1.1
XFWIC575047SH-330x	33.0	1MHz	0.130±40%	12	0.86
XFWIC575047SH-470x	47.0	1MHz	0.150±40%	10	0.76
XFWIC575047SH-680x	68.0	1MHz	0.240±40%	7.6	0.60
XFWIC575047SH-101x	100	100KHz	0.300±40%	6.5	0.52
XFWIC575047SH-151x	150	100KHz	0.540±40%	5.0	0.42
XFWIC575047SH-221x	220	100KHz	0.660±40%	4.0	0.35
XFWIC575047SH-331x	330	100KHz	1.400±40%	3.2	0.28
XFWIC575047SH-471x	470	100KHz	1.700±40%	2.5	0.24
XFWIC575047SH-681x	680	100KHz	3.200±40%	2.0	0.20
XFWIC575047SH-102x	1000	10KHz	3.900±40%	1.7	0.16
XFWIC575047SH-222x	2200	10KHz	7.600±40%	1.2	0.10
XFWIC575047SH-472x	4700	10KHz	15.50±40%	0.8	0.07
XFWIC575047SH-103x	10000	10KHz	34.00±40%	0.5	0.05

M=±20% K=±10% J=±5%

Notes:

1. Solderability: Leads shall meet MIL-STD-202G, Method 208H for solderability.
2. Flammability: UL94V-0
3. ASTM oxygen index: > 28%
4. Insulation System: Class F 155°C. UL file E151556
5. Operating Temperature Range: All listed parameters are to be within tolerance from -40°C to +85°C
6. Storage Temperature Range: -55°C to +125°C
7. Aqueous wash compatible
8. SMD Lead Coplanarity: ±0.004"(0.102mm)
9. Electrical and mechanical specifications 100% tested
10. RoHS Compliant Component