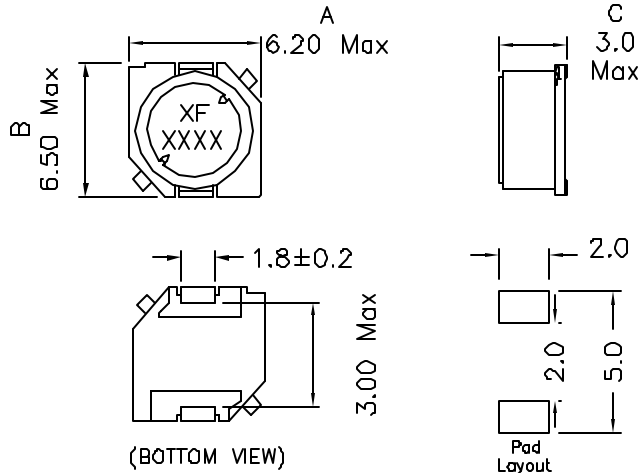


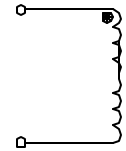
XF6530 SERIES INDUCTORS

- * LOW PROFILE SMD TYPE FOR HIGH CURRENT APPLICATION
- * TAPE AND REEL PACKAGING FOR HIGH VOLUME MANUFACTURING
2000 PCS PER 13" REEL
- * FOR PORTABLE TELEPHONES, PERSONAL COMPUTERS, HDD APPLICATIONS
- * TEMP. RISE; 30°C TYPICAL ABOVE 60°C AMBIENT
- * OPERATING TEMP.: -40°C TO +85°C
- * FLAMABILITY RATING: UL94V-0

Mechanical Dimensions:



Schematic:



UNLESS OTHERWISE SPECIFIED
 TOLERANCES:
 .xx ±0.25
 Dimensions in MM

Part Number *	INDUCTANCE μH	Test Frequency (Hz)	Resistance DCR Ohms Max	Rated Current IDC Max (A)	Marking *
XF6530-100X	10	1K	0.15	1.10	100X
XF6530-120X	12	1K	0.20	1.00	120X
XF6530-150X	15	1K	0.23	0.90	150X
XF6530-180X	18	1K	0.27	0.80	180X
XF6530-220X	22	1K	0.34	0.74	220X
XF6530-270X	27	1K	0.38	0.66	270X
XF6530-330X	33	1K	0.45	0.59	330X
XF6530-390X	39	1K	0.49	0.54	390X
XF6530-470X	47	1K	0.69	0.50	470X
XF6530-560X	56	1K	0.78	0.46	560X
XF6530-680X	68	1K	1.07	0.42	680X
XF6530-820X	82	1K	1.21	0.38	820X
XF6530-101X	100	1K	1.39	0.34	101X
XF6530-121X	120	1K	1.90	0.31	121X
XF6530-151X	150	1K	2.18	0.28	151X
XF6530-181X	180	1K	2.77	0.26	181X
XF6530-221X	220	1K	3.12	0.23	221X
XF6530-271X	270	1K	4.38	0.22	271X
XF6530-331X	330	1K	4.94	0.19	331X

OCL TEST: 1.0KHz, 0.5V

* "X" specify inductor tolerance: (K±10%, L±15%, M±20%, N±30%)