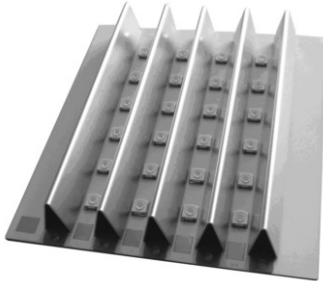


Reflector for VLSL30, VLSL31 LED Power Module



21853

DESCRIPTION

VLSL-REFL is a special reflector designed for VLSL30, VLSL31 LED power module.

By using different reflector combinations the emission in one direction can be adjusted in a typical range of 120° to 55°.

APPLICATION

FEATURES

- Material: Al-alloy
- Surface not high polished
- Compliant to RoHS directive 2002/95/EC


RoHS
COMPLIANT

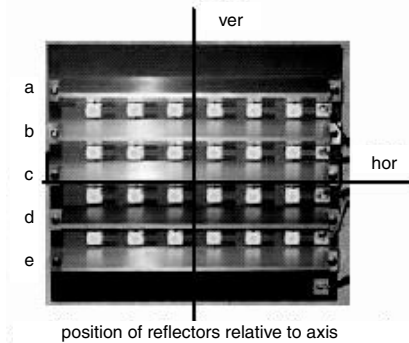
APPLICATIONS

(in combination with VLSL30, VLSL31)

- Streetlight
- Internal lighting in buildings
- Tunnel lights
- General lighting application

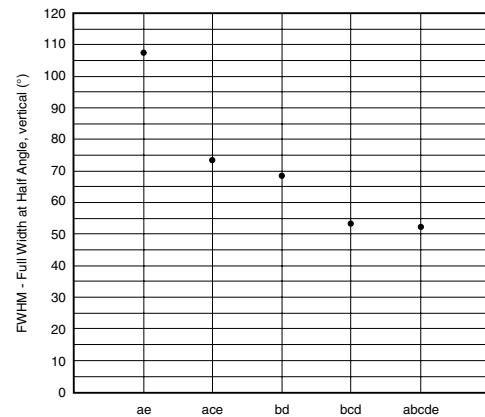
PRODUCT GROUP AND PACKAGE DATA

- Product group: LED
- Package: LED module
- Product series: power



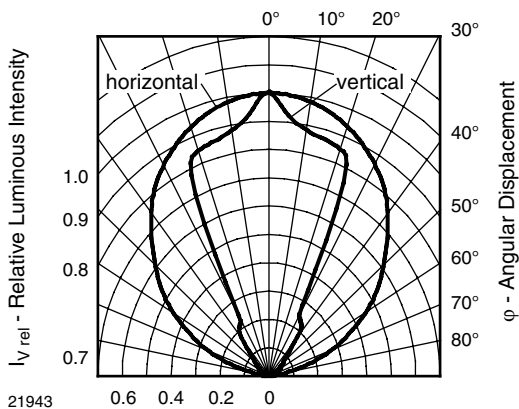
21979

Fig. 1 - PCB with all Reflectors



21980

Fig. 3 - Emission Angle vs. Reflector Combination



21943

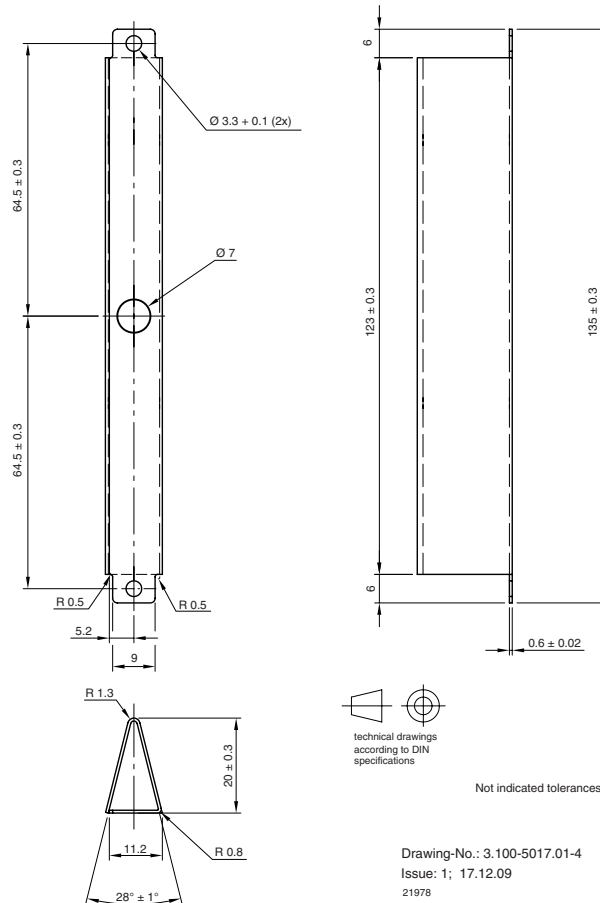
Fig. 2 - Emission Characteristics all 5 Reflectors in Use

VLSL-REFL01



Vishay Semiconductors Reflector for VLSL30, VLSL31 LED Power Module

PACKAGE DIMENSIONS in millimeters

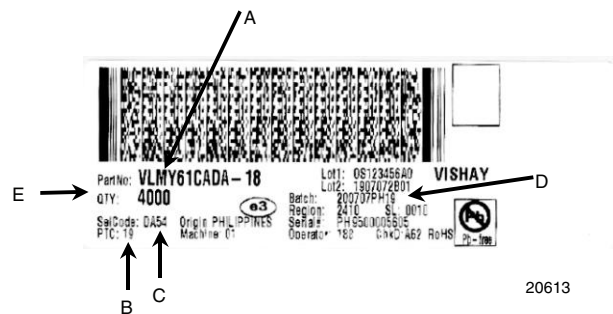


Drawing-No.: 3.100-5017.01-4
Issue: 1; 17.12.09
21978

PACKING INFORMATION

- 120 reflectors per box
- Minimum order quantity 120 pcs

BAR CODE PRODUCT LABEL



- A. Type of component
- B. Manufacturing plant
- C. SEL - selection code (bin):
e.g.: DA = code for luminous intensity group
5 = code for color group
- D. Batch:
200707 = year 2007, week 07
PH19 = plant code
- E. Total quantity