

STR-G5653

Power Switching Regulator

① DESCRIPTION

STR-G 5653 is a hybrid IC with a built-in MOS FET and control IC, designed for a primary side regulation.

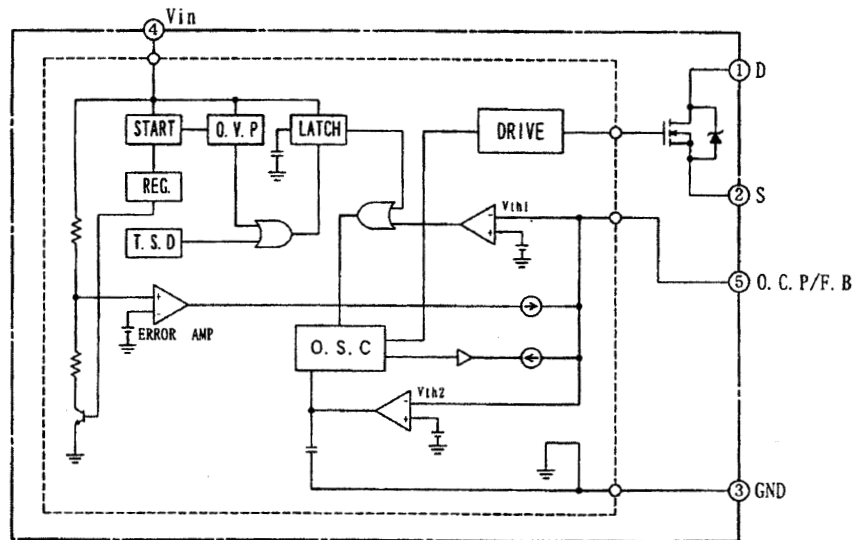
MANY PROTECTION FUNCTIONS

OVP(over voltage protection circuit)

OCP(over current protection circuit)

TSD(Thermal shutdown circuit)

② BLOCK DIAGRAM



③ PIN CONFIGURATION

PIN	SYMBOL	Description	Functions
1	D	Drain Terminal	MOS FET DRAIN
2	S	Source Terminal	MOS FET SOURCE
3	GND	Ground Terminal	GROUND
4	VIN	Power supply Terminal	Input of power supply for control circuit
5	O.C.P / F.B	over current / Feedback terminal	Input of over current detection signal and constant voltage control signals