



# ST10F276Z5

16-bit MCU with MAC unit,  
832 Kbyte Flash memory and 68 Kbyte RAM

## Features

- Highly performance 16-bit CPU with DSP functions
  - 31.25 ns instruction cycle time at 64 MHz max CPU clock
  - Multiply/accumulate unit (MAC) 16 x 16-bit multiplication, 40-bit accumulator
  - Enhanced boolean bit manipulations
  - Single-cycle context switching support
- On-chip memories
  - 512 Kbyte Flash memory (32-bit fetch)
  - 320 Kbyte extension Flash memory (16-bit fetch)
  - Single voltage Flash memories with erase/program controller and 100 K erasing/programming cycles.
  - Up to 16 Mbyte linear address space for code and data (5 Mbytes with CAN or I<sup>2</sup>C)
  - 2 Kbyte internal RAM (IRAM)
  - 66 Kbyte extension RAM (XRAM)
- External bus
  - Programmable external bus configuration & characteristics for different address ranges
  - Five programmable chip-select signals
  - Hold-acknowledge bus arbitration support
- Interrupt
  - 8-channel peripheral event controller for single cycle interrupt driven data transfer
  - 16-priority-level interrupt system with 56 sources, sampling rate down to 15.6ns
- Timers
  - Two multi-functional general purpose timer units with 5 timers
- Two 16-channel capture / compare units
- 4-channel PWM unit + 4-channel XPWM
- A/D converter
  - 24-channel 10-bit
  - 3 μs minimum conversion time
- Serial channels
  - Two synchronous/asynchronous serial channels
  - Two high-speed synchronous channels
  - One I<sup>2</sup>C standard interface
- 2 CAN 2.0B interfaces operating on 1 or 2 CAN busses (64 or 2x32 message, C-CAN version)
- Fail-safe protection
  - Programmable watchdog timer
  - Oscillator watchdog
- On-chip bootstrap loader
- Clock generation
  - On-chip PLL with 4 to 12 MHz oscillator
  - Direct or prescaled clock input
- Real-time clock and 32 kHz on-chip oscillator
- Up to 111 general purpose I/O lines
  - Individually programmable as input, output or special function
  - Programmable threshold (hysteresis)
- Idle, Power-down and Standby modes
- Single voltage supply: 5 V ±10% (embedded regulator for 1.8 V core supply)

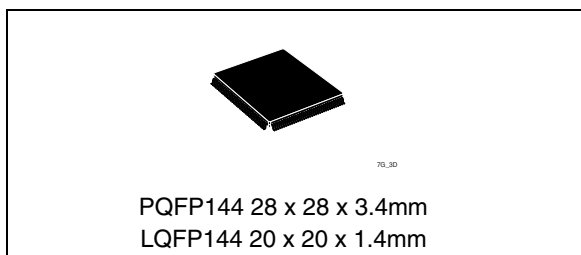


Table 1. Device summary

Order code	Package	Max CPU frequency	Iflash	Xflash	RAM	Temperature range (°C)
ST10F276Z5Q3	PQFP144	64 MHz	512 Kbytes	320 Kbytes	68KB	-40/+125
ST10F276Z5T3	LQFP144	40 MHz	512 Kbytes		68KB	-40/+125

# Contents

- 1 Description ..... 14**
- 2 Pin data ..... 17**
- 3 Functional description ..... 24**
- 4 Internal Flash memory ..... 25**
  - 4.1 Overview ..... 25
  - 4.2 Functional description ..... 25
    - 4.2.1 Structure ..... 25
    - 4.2.2 Modules structure ..... 26
    - 4.2.3 Low power mode ..... 28
  - 4.3 Write operation ..... 28
    - 4.3.1 Power supply drop ..... 29
  - 4.4 Registers description ..... 29
    - 4.4.1 Flash control register 0 low ..... 29
    - 4.4.2 Flash control register 0 high ..... 30
    - 4.4.3 Flash control register 1 low ..... 32
    - 4.4.4 Flash control register 1 high ..... 33
    - 4.4.5 Flash data register 0 low ..... 34
    - 4.4.6 Flash data register 0 high ..... 34
    - 4.4.7 Flash data register 1 low ..... 35
    - 4.4.8 Flash data register 1 high ..... 35
    - 4.4.9 Flash address register low ..... 35
    - 4.4.10 Flash address register high ..... 36
    - 4.4.11 Flash error register ..... 36
    - 4.4.12 XFlash interface control register ..... 37
  - 4.5 Protection strategy ..... 38
    - 4.5.1 Protection registers ..... 38
    - 4.5.2 Flash non volatile write protection X register low ..... 38
    - 4.5.3 Flash non volatile write protection X register high ..... 39
    - 4.5.4 Flash non volatile write protection I register low ..... 39
    - 4.5.5 Flash non volatile write protection I register high ..... 39
    - 4.5.6 Flash non volatile access protection register 0 ..... 40

4.5.7	Flash non volatile access protection register 1 low	40
4.5.8	Flash non volatile access protection register 1 high	41
4.5.9	Access protection	41
4.5.10	Write protection	42
4.5.11	Temporary unprotection	42
4.6	Write operation examples	43
4.7	Write operation summary	45
<b>5</b>	<b>Bootstrap loader</b>	<b>47</b>
5.1	Selection among user-code, standard or alternate bootstrap	47
5.2	Standard bootstrap loader	48
5.2.1	Entering the standard bootstrap loader	48
5.2.2	ST10 configuration in BSL	49
5.2.3	Booting steps	51
5.2.4	Hardware to activate BSL	51
5.2.5	Memory configuration in bootstrap loader mode	52
5.2.6	Loading the start-up code	53
5.2.7	Exiting bootstrap loader mode	54
5.2.8	Hardware requirements	54
5.3	Standard bootstrap with UART (RS232 or K-Line)	54
5.3.1	Features	54
5.3.2	Entering bootstrap via UART	55
5.3.3	ST10 Configuration in UART BSL (RS232 or K-Line)	56
5.3.4	Loading the start-up code	56
5.3.5	Choosing the baud rate for the BSL via UART	57
5.4	Standard bootstrap with CAN	58
5.4.1	Features	58
5.4.2	Entering the CAN bootstrap loader	59
5.4.3	ST10 configuration in CAN BSL	60
5.4.4	Loading the start-up code via CAN	60
5.4.5	Choosing the baud rate for the BSL via CAN	61
5.4.6	Computing the baud rate error	64
5.4.7	Bootstrap via CAN	64
5.5	Comparing the old and the new bootstrap loader	65
5.5.1	Software aspects	65
5.5.2	Hardware aspects	66

5.6	Alternate boot mode (ABM)	66
5.6.1	Activation	66
5.6.2	Memory mapping	66
5.6.3	Interrupts	66
5.6.4	ST10 configuration in alternate boot mode	67
5.6.5	Watchdog	67
5.6.6	Exiting alternate boot mode	68
5.6.7	Alternate boot user software	68
5.6.8	User/alternate mode signature integrity check	68
5.6.9	Alternate boot user software aspects	68
5.6.10	EMUCON register	69
5.6.11	Internal decoding of test modes	69
5.6.12	Example	69
5.7	Selective boot mode	70
<b>6</b>	<b>Central processing unit (CPU)</b>	<b>72</b>
6.1	Multiplier-accumulator unit (MAC)	73
6.2	Instruction set summary	74
6.3	MAC coprocessor specific instructions	76
<b>7</b>	<b>External bus controller</b>	<b>77</b>
<b>8</b>	<b>Interrupt system</b>	<b>78</b>
8.1	X-Peripheral interrupt	80
8.2	Exception and error traps list	82
<b>9</b>	<b>Capture / compare (CAPCOM) units</b>	<b>83</b>
<b>10</b>	<b>General purpose timer unit</b>	<b>85</b>
10.1	GPT1	85
10.2	GPT2	87
<b>11</b>	<b>PWM modules</b>	<b>89</b>
<b>12</b>	<b>Parallel ports</b>	<b>91</b>
12.1	Introduction	91
12.2	I/Os special features	92

	12.2.1	Open drain mode	92
	12.2.2	Input threshold control	92
	12.3	Alternate port functions	92
<b>13</b>		<b>A/D converter</b>	<b>94</b>
<b>14</b>		<b>Serial channels</b>	<b>96</b>
	14.1	Asynchronous / synchronous serial interfaces	96
	14.2	ASCx in asynchronous mode	96
	14.3	ASCx in synchronous mode	97
	14.4	High speed synchronous serial interfaces	98
<b>15</b>		<b>I<sup>2</sup>C interface</b>	<b>100</b>
<b>16</b>		<b>CAN modules</b>	<b>101</b>
	16.1	Configuration support	101
	16.2	CAN bus configurations	102
<b>17</b>		<b>Real-time clock</b>	<b>104</b>
<b>18</b>		<b>Watchdog timer</b>	<b>105</b>
<b>19</b>		<b>System reset</b>	<b>106</b>
	19.1	Input filter	106
	19.2	Asynchronous reset	107
	19.3	Synchronous reset (warm reset)	113
	19.4	Software reset	119
	19.5	Watchdog timer reset	119
	19.6	Bidirectional reset	121
	19.7	Reset circuitry	124
	19.8	Reset application examples	127
	19.9	Reset summary	129
<b>20</b>		<b>Power reduction modes</b>	<b>132</b>
	20.1	Idle mode	132
	20.2	Power-down mode	132

20.2.1	Protected Power-down mode	133
20.2.2	Interruptible Power-down mode	133
20.3	Standby mode	133
20.3.1	Entering Standby mode	134
20.3.2	Exiting Standby mode	135
20.3.3	Real-time clock and Standby mode	135
20.3.4	Power reduction modes summary	136
<b>21</b>	<b>Programmable output clock divider</b>	<b>137</b>
<b>22</b>	<b>Register set</b>	<b>138</b>
22.1	Register description format	138
22.2	General purpose registers (GPRs)	139
22.3	Special function registers ordered by name	141
22.4	Special function registers ordered by address	148
22.5	X-registers sorted by name	155
22.6	X-registers ordered by address	160
22.7	Flash registers ordered by name	165
22.8	Flash registers ordered by address	166
22.9	Identification registers	167
22.10	System configuration registers	169
22.10.1	XPERCON and XPEREMU registers	176
22.11	Emulation dedicated registers	177
<b>23</b>	<b>Electrical characteristics</b>	<b>178</b>
23.1	Absolute maximum ratings	178
23.2	Recommended operating conditions	178
23.3	Power considerations	179
23.4	Parameter interpretation	180
23.5	DC characteristics	180
23.6	Flash characteristics	185
23.7	A/D converter characteristics	187
23.7.1	Conversion timing control	188
23.7.2	A/D conversion accuracy	189
23.7.3	Total unadjusted error	190

23.7.4	Analog reference pins	191
23.7.5	Analog input pins	191
23.7.6	Example of external network sizing	195
<b>23.8</b>	<b>AC characteristics</b>	<b>196</b>
23.8.1	Test waveforms	196
23.8.2	Definition of internal timing	197
23.8.3	Clock generation modes	198
23.8.4	Prescaler operation	198
23.8.5	Direct drive	198
23.8.6	Oscillator watchdog (OWD)	199
23.8.7	Phase locked loop (PLL)	199
23.8.8	Voltage controlled oscillator	200
23.8.9	PLL Jitter	201
23.8.10	Jitter in the input clock	201
23.8.11	Noise in the PLL loop	201
23.8.12	PLL lock/unlock	203
23.8.13	Main oscillator specifications	203
23.8.14	32 kHz Oscillator specifications	204
23.8.15	External clock drive XTAL1	205
23.8.16	Memory cycle variables	206
23.8.17	External memory bus timing	207
23.8.18	Multiplexed bus	208
23.8.19	Demultiplexed bus	214
23.8.20	CLKOUT and READY	220
23.8.21	External bus arbitration	222
23.8.22	High-speed synchronous serial interface (SSC) timing modes	224
<b>24</b>	<b>Known limitations</b>	<b>228</b>
24.1	Functional limitations	228
24.1.1	Injected conversion stalling the A/D converter	228
24.1.2	Concurrent transmission requests in DAR-mode (C-CAN module)	231
24.1.3	Disabling the transmission requests (C-CAN module)	231
24.1.4	Spurious $\overline{\text{BREQ}}$ pulse in slave mode during external bus arbitration phase	232
24.1.5	Executing PWRDN instructions	232
24.1.6	Behavior of CAPCOM outputs in COMPARE mode 3	233
24.2	Electrical limitations	234

**25      Package information ..... 235**

**26      Revision history ..... 238**



## List of tables

Table 1.	Device summary . . . . .	1
Table 2.	Pin description . . . . .	18
Table 3.	Flash modules absolute mapping . . . . .	25
Table 4.	Flash modules sectorization (read operations). . . . .	26
Table 5.	Flash modules sectorization (write operations or with roms1='1') . . . . .	27
Table 6.	Control register interface . . . . .	28
Table 7.	Flash control register 0 low. . . . .	29
Table 8.	Flash control register 0 high . . . . .	30
Table 9.	Flash control register 1 low. . . . .	32
Table 10.	Flash control register 1 high . . . . .	33
Table 11.	Banks (BxS) and sectors (BxFy) status bits meaning. . . . .	34
Table 12.	Flash data register 0 low. . . . .	34
Table 13.	Flash data register 0 high . . . . .	34
Table 14.	Flash data register 1 low. . . . .	35
Table 15.	Flash data register 1 high . . . . .	35
Table 16.	Flash address register low . . . . .	35
Table 17.	Flash address register high . . . . .	36
Table 18.	Flash error register . . . . .	36
Table 19.	XFlash interface control register . . . . .	37
Table 20.	Flash non volatile write protection X register low . . . . .	38
Table 21.	Flash non volatile write protection X register high . . . . .	39
Table 22.	Flash non volatile write protection I register low . . . . .	39
Table 23.	Flash non volatile write protection I register high . . . . .	39
Table 24.	Flash non volatile access protection register 0. . . . .	40
Table 25.	Flash non volatile access protection register 1 low . . . . .	40
Table 26.	Flash non volatile access protection register 1 high . . . . .	41
Table 27.	Summary of access protection level . . . . .	41
Table 28.	Flash write operations. . . . .	46
Table 29.	ST10F276Z5 boot mode selection . . . . .	48
Table 30.	ST10 configuration in BSL mode . . . . .	49
Table 31.	ST10 configuration in UART BSL mode (RS232 or K-line). . . . .	56
Table 32.	ST10 configuration in CAN BSL . . . . .	60
Table 33.	BRP and PT0 values . . . . .	63
Table 34.	Software topics summary . . . . .	65
Table 35.	Hardware topics summary . . . . .	66
Table 36.	ST10 configuration in alternate boot mode. . . . .	67
Table 37.	ABM bit description. . . . .	69
Table 38.	Selective boot . . . . .	70
Table 39.	Standard instruction set summary . . . . .	74
Table 40.	MAC instruction set summary. . . . .	76
Table 41.	Interrupt sources . . . . .	78
Table 42.	X-Interrupt detailed mapping . . . . .	81
Table 43.	Trap priorities . . . . .	82
Table 44.	Compare modes . . . . .	83
Table 45.	CAPCOM timer input frequencies, resolutions and periods at 40 MHz . . . . .	84
Table 46.	CAPCOM timer input frequencies, resolutions and periods at 64 MHz . . . . .	84
Table 47.	GPT1 timer input frequencies, resolutions and periods at 40 MHz. . . . .	85
Table 48.	GPT1 timer input frequencies, resolutions and periods at 64 MHz. . . . .	86

Table 49.	GPT2 timer input frequencies, resolutions and periods at 40 MHz. . . . .	87
Table 50.	GPT2 timer input frequencies, resolutions and periods at 64 MHz. . . . .	87
Table 51.	PWM unit frequencies and resolutions at 40 MHz CPU clock . . . . .	89
Table 52.	PWM unit frequencies and resolutions at 64 MHz CPU clock . . . . .	90
Table 53.	ASC asynchronous baud rates by reload value and deviation errors (fCPU = 40 MHz) . . .	96
Table 54.	ASC asynchronous baud rates by reload value and deviation errors (fCPU = 64 MHz) . .	97
Table 55.	ASC synchronous baud rates by reload value and deviation errors (fCPU = 40 MHz) . . .	97
Table 56.	ASC synchronous baud rates by reload value and deviation errors (fCPU = 64 MHz) . . .	98
Table 57.	Synchronous baud rate and reload values (fCPU = 40 MHz). . . . .	99
Table 58.	Synchronous baud rate and reload values (fCPU = 64 MHz). . . . .	99
Table 59.	WDTREL reload value (fCPU = 40 MHz) . . . . .	105
Table 60.	WDTREL reload value (fCPU = 64 MHz) . . . . .	105
Table 61.	Reset event definition . . . . .	106
Table 62.	Reset event. . . . .	129
Table 63.	PORT0 latched configuration for the different reset events . . . . .	130
Table 64.	Power reduction modes summary . . . . .	136
Table 65.	Description. . . . .	138
Table 66.	General purpose registers (GPRs) . . . . .	139
Table 67.	General purpose registers (GPRs) bitwise addressing. . . . .	139
Table 68.	Special function registers ordered by address. . . . .	141
Table 69.	Special function registers ordered by address. . . . .	148
Table 70.	X-Registers ordered by name . . . . .	155
Table 71.	X-registers ordered by address . . . . .	160
Table 72.	Flash registers ordered by name . . . . .	165
Table 73.	FLASH registers ordered by address . . . . .	166
Table 74.	MANUF description. . . . .	167
Table 75.	IDCHIP description . . . . .	167
Table 76.	IDMEM description . . . . .	168
Table 77.	IDPROG description . . . . .	168
Table 78.	Identification register settings . . . . .	168
Table 79.	SYSCON description . . . . .	169
Table 80.	BUSCON4 description . . . . .	171
Table 81.	RPOH description . . . . .	172
Table 82.	EXLxES bit description . . . . .	173
Table 83.	EXISEL . . . . .	173
Table 84.	EXLxSS and port 2 pin configurations . . . . .	173
Table 85.	SFR area description . . . . .	174
Table 86.	ESFR description . . . . .	174
Table 87.	Segment 8 address range mapping . . . . .	176
Table 88.	Absolute maximum ratings . . . . .	178
Table 89.	Recommended operating conditions . . . . .	178
Table 90.	Thermal characteristics. . . . .	179
Table 91.	Package characteristics . . . . .	180
Table 92.	DC characteristics. . . . .	180
Table 93.	Flash characteristics . . . . .	185
Table 94.	Data retention characteristics . . . . .	186
Table 96.	A/D Converter programming. . . . .	188
Table 97.	On-chip clock generator selections. . . . .	198
Table 98.	Internal PLL divider mechanism . . . . .	200
Table 99.	PLL lock/unlock timing . . . . .	203
Table 100.	Main oscillator specifications . . . . .	203
Table 101.	Negative resistance (absolute min. value @ 125oC / VDD = 4.5 V) . . . . .	204

---

Table 102.	32 kHz Oscillator specifications . . . . .	204
Table 103.	Minimum values of negative resistance (module). . . . .	205
Table 104.	External clock drive timing . . . . .	206
Table 105.	Memory cycle variables . . . . .	206
Table 106.	Multiplexed bus . . . . .	208
Table 107.	Demultiplexed bus . . . . .	214
Table 108.	CLKOUT and READY . . . . .	220
Table 109.	External bus arbitration . . . . .	222
Table 110.	Master mode . . . . .	224
Table 111.	Slave mode . . . . .	226
Table 112.	PQFP144 - 144-pin Plastic Quad Flatpack 28 x 28 mm, 0.65 mm pitch, package mechanical data . . . . .	236
Table 113.	LQFP144 - 144 pin low profile quad flat package 20x20mm, 0.5 mm pitch, package mechanical data . . . . .	237
Table 114.	Document revision history . . . . .	238

## List of figures

Figure 1.	Logic symbol . . . . .	16
Figure 2.	Pin configuration (top view) . . . . .	17
Figure 3.	Block diagram . . . . .	24
Figure 4.	Flash modules structure . . . . .	25
Figure 5.	ST10F276Z5 new standard bootstrap loader program flow . . . . .	50
Figure 6.	Bootling steps for ST10F276Z5 . . . . .	51
Figure 7.	Hardware provisions to activate the BSL . . . . .	52
Figure 8.	Memory configuration after reset . . . . .	53
Figure 9.	UART bootstrap loader sequence . . . . .	55
Figure 10.	Baud rate deviation between host and ST10F276Z5 . . . . .	57
Figure 11.	CAN bootstrap loader sequence . . . . .	58
Figure 12.	Bit rate measurement over a predefined zero-frame . . . . .	61
Figure 13.	Reset boot sequence . . . . .	71
Figure 14.	CPU Block Diagram (MAC Unit not included) . . . . .	72
Figure 15.	MAC unit architecture . . . . .	73
Figure 16.	X-Interrupt basic structure . . . . .	81
Figure 17.	Block diagram of GPT1 . . . . .	86
Figure 18.	Block diagram of GPT2 . . . . .	88
Figure 19.	Block diagram of PWM module . . . . .	89
Figure 20.	Connection to single CAN bus via separate CAN transceivers . . . . .	102
Figure 21.	Connection to single CAN bus via common CAN transceivers . . . . .	102
Figure 22.	Connection to two different CAN buses (e.g. for gateway application) . . . . .	103
Figure 23.	Connection to one CAN bus with internal Parallel mode enabled . . . . .	103
Figure 24.	Asynchronous power-on RESET (EA = 1) . . . . .	109
Figure 25.	Asynchronous power-on RESET (EA = 0) . . . . .	110
Figure 26.	Asynchronous hardware RESET (EA = 1) . . . . .	111
Figure 27.	Asynchronous hardware RESET (EA = 0) . . . . .	112
Figure 28.	Synchronous short / long hardware RESET (EA = 1) . . . . .	115
Figure 29.	Synchronous short / long hardware RESET (EA = 0) . . . . .	116
Figure 30.	Synchronous long hardware RESET (EA = 1) . . . . .	117
Figure 31.	Synchronous long hardware RESET (EA = 0) . . . . .	118
Figure 32.	SW / WDT unidirectional RESET (EA = 1) . . . . .	120
Figure 33.	SW / WDT unidirectional RESET (EA = 0) . . . . .	120
Figure 34.	SW / WDT bidirectional RESET (EA=1) . . . . .	122
Figure 35.	SW / WDT bidirectional RESET (EA = 0) . . . . .	123
Figure 36.	SW / WDT bidirectional RESET (EA=0) followed by a HW RESET . . . . .	124
Figure 37.	Minimum external reset circuitry . . . . .	125
Figure 38.	System reset circuit . . . . .	126
Figure 39.	Internal (simplified) reset circuitry . . . . .	126
Figure 40.	Example of software or watchdog bidirectional reset (EA = 1) . . . . .	127
Figure 41.	Example of software or watchdog bidirectional reset (EA = 0) . . . . .	128
Figure 42.	PORT0 bits latched into the different registers after reset . . . . .	131
Figure 43.	External RC circuitry on RPD pin . . . . .	133
Figure 44.	Port2 test mode structure . . . . .	184
Figure 45.	Supply current versus the operating frequency (RUN and IDLE modes) . . . . .	184
Figure 46.	A/D conversion characteristic . . . . .	190
Figure 47.	A/D converter input pins scheme . . . . .	191
Figure 48.	Charge sharing timing diagram during sampling phase . . . . .	192

Figure 49.	Anti-aliasing filter and conversion rate	194
Figure 50.	Input/output waveforms	196
Figure 51.	Float waveforms	196
Figure 52.	Generation mechanisms for the CPU clock	197
Figure 53.	ST10F276Z5 PLL jitter	202
Figure 54.	Crystal oscillator and resonator connection diagram	204
Figure 55.	32 kHz crystal oscillator connection diagram	205
Figure 56.	External clock drive XTAL1	206
Figure 57.	Multiplexed bus with/without R/W delay and normal ALE	210
Figure 58.	Multiplexed bus with/without R/W delay and extended ALE	211
Figure 59.	Multiplexed bus, with/without R/W delay, normal ALE, R/W CS	212
Figure 60.	Multiplexed bus, with/without R/ W delay, extended ALE, R/W CS	213
Figure 61.	Demultiplexed bus, with/without read/write delay and normal ALE	216
Figure 62.	Demultiplexed bus with/without R/W delay and extended ALE	217
Figure 63.	Demultiplexed bus with ALE and R/W CS	218
Figure 64.	Demultiplexed bus, no R/W delay, extended ALE, R/W CS	219
Figure 65.	CLKOUT and READY	221
Figure 66.	External bus arbitration (releasing the bus)	222
Figure 67.	External bus arbitration (regaining the bus)	223
Figure 68.	SSC master timing	225
Figure 69.	SSC slave timing	227
Figure 70.	ADC injection theoretical operation	230
Figure 71.	ADC injection actual operation	230
Figure 72.	Connecting an ST10 in slave mode	232
Figure 73.	PQFP144 - 144-pin plastic Quad Flatpack 28 x 28 mm, 0.65 mm pitch, package outline	236
Figure 74.	LQFP144 - 144 pin low profile quad flat package 20x20 mm, 0.5 mm pitch, package outline	237

# 1 Description

The ST10F276Z5 is a derivative of the STMicroelectronics ST10 family of 16-bit single-chip CMOS microcontrollers. It combines high CPU performance (up to 32 million instructions per second) with high peripheral functionality and enhanced I/O-capabilities. It also provides on-chip high-speed single voltage Flash memory, on-chip high-speed RAM, and clock generation via PLL.

The ST10F276Z5 is processed in 0.18  $\mu\text{m}$  CMOS technology. The MCU core and the logic is supplied with a 5 to 1.8 V on-chip voltage regulator. The part is supplied with a single 5 V supply and I/Os work at 5 V.

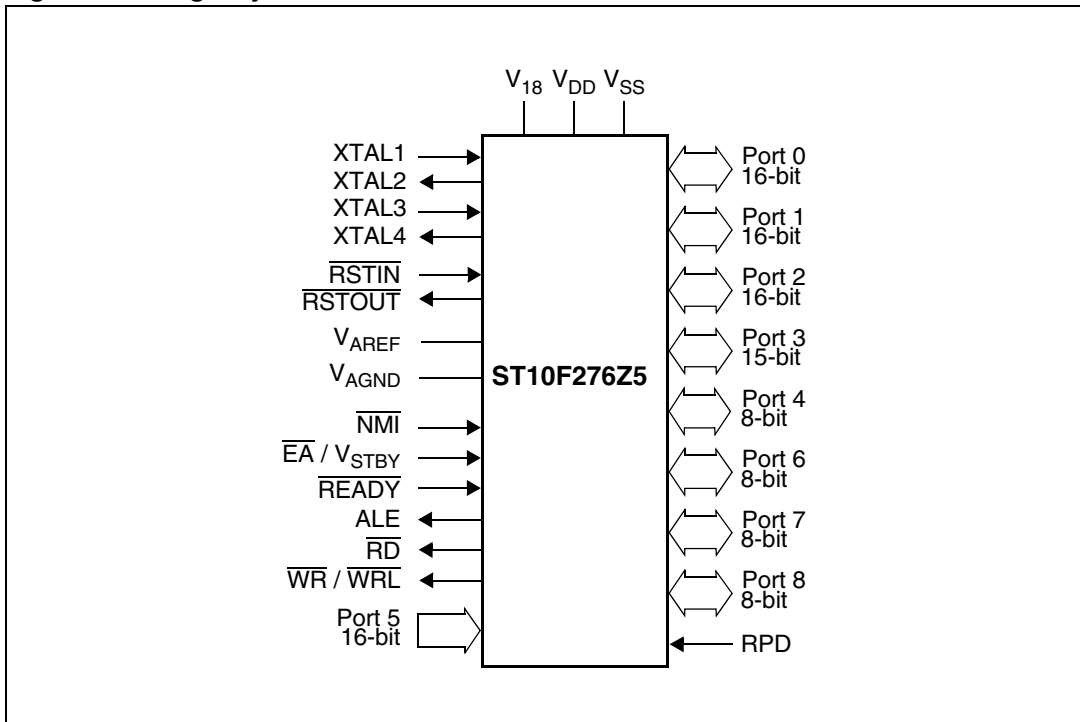
The device is upward compatible with the ST10F269 device, with the following set of differences:

- Flash control interface is now based on STMicroelectronics third generation of stand-alone Flash memories (M29F400 series), with an embedded Program/Erase Controller. This completely frees up the CPU during programming or erasing the Flash.
- Only one supply pin (ex DC1 in ST10F269, renamed into  $V_{18}$ ) on the QFP144 package is used for decoupling the internally generated 1.8 V core logic supply. Do not connect this pin to 5.0 V external supply. Instead, this pin should be connected to a decoupling capacitor (ceramic type, typical value 10 nF, maximum value 100 nF).
- The AC and DC parameters are modified due to a difference in the maximum CPU frequency.
- A new  $V_{DD}$  pin replaces DC2 of ST10F269.
- $\overline{EA}$  pin assumes a new alternate functionality: it is also used to provide a dedicated power supply (see  $V_{STBY}$ ) to maintain biased a portion of the XRAM (16Kbytes) when the main Power Supply of the device ( $V_{DD}$  and consequently the internally generated  $V_{18}$ ) is turned off for low power mode, allowing data retention.  $V_{STBY}$  voltage shall be in the range 4.5-5.5 V, and a dedicated embedded low power voltage regulator is in charge to provide the 1.8 V for the RAM, the low-voltage section of the 32 kHz oscillator and the real-time clock module when not disabled. It is allowed to exceed the upper limit up to 6 V for a very short period of time during the global life of the device, and exceed the lower limit down to 4 V when RTC and 32 kHz on-chip oscillator are not used.
- A second SSC mapped on the XBUS is added (SSC of ST10F269 becomes here SSC0, while the new one is referred as XSSC or simply SSC1). Note that some restrictions and functional differences due to the XBUS peculiarities are present between the classic SSC, and the new XSSC.
- A second ASC mapped on the XBUS is added (ASC0 of ST10F269 remains ASC0, while the new one is referred as XASC or simply as ASC1). Note that some restrictions and functional differences due to the XBUS peculiarities are present between the classic ASC, and the new XASC.
- A second PWM mapped on the XBUS is added (PWM of ST10F269 becomes here PWM0, while the new one is referred as XPWM or simply as PWM1). Note that some

restrictions and functional differences due to the XBUS peculiarities are present between the classic PWM, and the new XPWM.

- An I<sup>2</sup>C interface on the XBUS is added (see X-I<sup>2</sup>C or simply I<sup>2</sup>C interface).
- CLKOUT function can output either the CPU clock (like in ST10F269) or a software programmable prescaled value of the CPU clock.
- Embedded memory size has been significantly increased (both Flash and RAM).
- PLL multiplication factors have been adapted to new frequency range.
- A/D Converter is not fully compatible versus ST10F269 (timing and programming model). Formula for the conversion time is still valid, while the sampling phase programming model is different.  
Besides, additional 8 channels are available on P1L pins as alternate function: the accuracy reachable with these extra channels is reduced with respect to the standard Port5 channels.
- External Memory bus potential limitations on maximum speed and maximum capacitance load could be introduced (under evaluation): ST10F276Z5 will probably not be able to address an external memory at 64 MHz with 0 wait states (under evaluation).
- XPERCON register bit mapping modified according to new peripherals implementation (not fully compatible with ST10F269).
- Bond-out chip for emulation (ST10R201) cannot achieve more than 50 MHz at room temperature (so no real-time emulation possible at maximum speed).
- Input section characteristics are different. The threshold programmability is extended to all port pins (additional XPICON register); it is possible to select standard TTL (with up to 500 mV of hysteresis) and standard CMOS (with up to 800 mV of hysteresis).
- Output transition is not programmable.
- CAN module is enhanced: the ST10F276Z5 implements two C-CAN modules, so the programming model is slightly different. Besides, the possibility to map in parallel the two CAN modules is added (on P4.5/P4.6).
- On-chip main oscillator input frequency range has been reshaped, reducing it from 1-25 MHz down to 4-12 MHz. This is a high performance oscillator amplifier, providing a very high negative resistance and wide oscillation amplitude: when this on-chip amplifier is used as reference for real-time clock module, the power-down consumption is dominated by the consumption of the oscillator amplifier itself. A metal option is added to offer a low power oscillator amplifier working in the range of 4-8 MHz: this will allow a power consumption reduction when real-time clock is running in Power-down mode using as reference the on-chip main oscillator clock.
- A second on-chip oscillator amplifier circuit (32 kHz) is implemented for low power modes: it can be used to provide the reference to the real-time clock counter (either in Power-down or Standby mode). Pin XTAL3 and XTAL4 replace a couple of V<sub>DD</sub>/V<sub>SS</sub> pins of ST10F269.
- Possibility to re-program internal XBUS chip select window characteristics (XRAM2 and XFLASH address window) is added.

Figure 1. Logic symbol





## 2 Pin data

Figure 2. Pin configuration (top view)

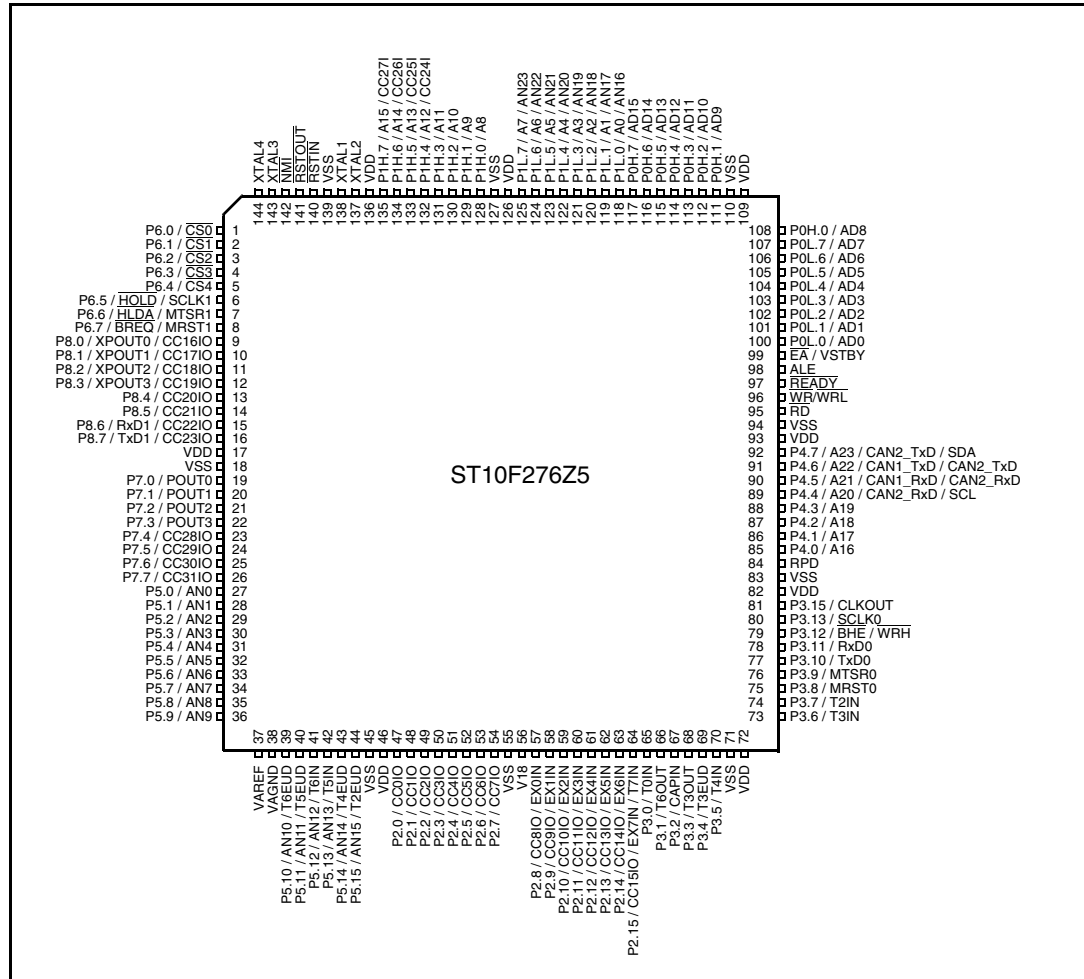


Table 2. Pin description

Symbol	Pin	Type	Function		
P6.0 - P6.7	1 - 8	I/O	8-bit bidirectional I/O port, bit-wise programmable for input or output via direction bit. Programming an I/O pin as input forces the corresponding output driver to high impedance state. Port 6 outputs can be configured as push-pull or open drain drivers. The input threshold of Port 6 is selectable (TTL or CMOS). The following Port 6 pins have alternate functions:		
	1	O	P6.0	$\overline{CS0}$	Chip select 0 output
	...	...	...	...	...
	5	O	P6.4	$\overline{CS4}$	Chip select 4 output
	6	I	P6.5	$\overline{HOLD}$	External master hold request input
		I/O		SCLK1	SSC1: master clock output / slave clock input
	7	O	P6.6	$\overline{HLDA}$	Hold acknowledge output
		I/O		MTSR1	SSC1: master-transmitter / slave-receiver O/I
	8	O	P6.7	$\overline{BREQ}$	Bus request output
I/O			MRST1	SSC1: master-receiver / slave-transmitter I/O	
P8.0 - P8.7	9-16	I/O	8-bit bidirectional I/O port, bit-wise programmable for input or output via direction bit. Programming an I/O pin as input forces the corresponding output driver to high impedance state. Port 8 outputs can be configured as push-pull or open drain drivers. The input threshold of Port 8 is selectable (TTL or CMOS). The following Port 8 pins have alternate functions:		
	9	I/O	P8.0	CC16IO	CAPCOM2: CC16 capture input / compare output
		O		XPWM0	PWM1: channel 0 output
	...	...	...	...	...
	12	I/O	P8.3	CC19IO	CAPCOM2: CC19 capture input / compare output
		O		XPWM0	PWM1: channel 3 output
	13	I/O	P8.4	CC20IO	CAPCOM2: CC20 capture input / compare output
	14	I/O	P8.5	CC21IO	CAPCOM2: CC21 capture input / compare output
	15	I/O	P8.6	CC22IO	CAPCOM2: CC22 capture input / compare output
		I/O		RxD1	ASC1: Data input (Asynchronous) or I/O (Synchronous)
	16	I/O	P8.7	CC23IO	CAPCOM2: CC23 capture input / compare output
		O		TxD1	ASC1: Clock / Data output (Asynchronous/Synchronous)

**Table 2. Pin description (continued)**

Symbol	Pin	Type	Function		
P7.0 - P7.7	19-26	I/O	8-bit bidirectional I/O port, bit-wise programmable for input or output via direction bit. Programming an I/O pin as input forces the corresponding output driver to high impedance state. Port 7 outputs can be configured as push-pull or open drain drivers. The input threshold of Port 7 is selectable (TTL or CMOS). The following Port 7 pins have alternate functions:		
	19	O	P7.0	POUT0	PWM0: channel 0 output
	...	...	...	...	...
	22	O	P7.3	POUT3	PWM0: channel 3 output
	23	I/O	P7.4	CC28IO	CAPCOM2: CC28 capture input / compare output
	...	...	...	...	...
P5.0 - P5.9 P5.10 - P5.15	27-36 39-44	I I	16-bit input-only port with Schmitt-Trigger characteristics. The pins of Port 5 can be the analog input channels (up to 16) for the A/D converter, where P5.x equals ANx (Analog input channel x), or they are timer inputs. The input threshold of Port 5 is selectable (TTL or CMOS). The following Port 5 pins have alternate functions:		
	39	I	P5.10	T6EUD	GPT2: timer T6 external up/down control input
	40	I	P5.11	T5EUD	GPT2: timer T5 external up/down control input
	41	I	P5.12	T6IN	GPT2: timer T6 count input
	42	I	P5.13	T5IN	GPT2: timer T5 count input
	43	I	P5.14	T4EUD	GPT1: timer T4 external up/down control input
P2.0 - P2.7 P2.8 - P2.15	47-54 57-64	I/O	16-bit bidirectional I/O port, bit-wise programmable for input or output via direction bit. Programming an I/O pin as input forces the corresponding output driver to high impedance state. Port 2 outputs can be configured as push-pull or open drain drivers. The input threshold of Port 2 is selectable (TTL or CMOS). The following Port 2 pins have alternate functions:		
	47	I/O	P2.0	CC0IO	CAPCOM: CC0 capture input/compare output
	...	...	...	...	...
	54	I/O	P2.7	CC7IO	CAPCOM: CC7 capture input/compare output
	57	I/O	P2.8	CC8IO	CAPCOM: CC8 capture input/compare output
		I		EX0IN	Fast external interrupt 0 input
	...	...	...	...	...
	64	I/O	P2.15	CC15IO	CAPCOM: CC15 capture input/compare output
		I		EX7IN	Fast external interrupt 7 input
	I		T7IN	CAPCOM2: timer T7 count input	

Table 2. Pin description (continued)

Symbol	Pin	Type	Function		
P3.0 - P3.5 P3.6 - P3.13, P3.15	65-70, 73-80, 81	I/O I/O I/O	15-bit (P3.14 is missing) bidirectional I/O port, bit-wise programmable for input or output via direction bit. Programming an I/O pin as input forces the corresponding output driver to high impedance state. Port 3 outputs can be configured as push-pull or open drain drivers. The input threshold of Port 3 is selectable (TTL or CMOS). The following Port 3 pins have alternate functions:		
	65	I	P3.0	T0IN	CAPCOM1: timer T0 count input
	66	O	P3.1	T6OUT	GPT2: timer T6 toggle latch output
	67	I	P3.2	CAPIN	GPT2: register CAPREL capture input
	68	O	P3.3	T3OUT	GPT1: timer T3 toggle latch output
	69	I	P3.4	T3EUD	GPT1: timer T3 external up/down control input
	70	I	P3.5	T4IN	GPT1; timer T4 input for count/gate/reload/capture
	73	I	P3.6	T3IN	GPT1: timer T3 count/gate input
	74	I	P3.7	T2IN	GPT1: timer T2 input for count/gate/reload / capture
	75	I/O	P3.8	MRST0	SSC0: master-receiver/slave-transmitter I/O
	76	I/O	P3.9	MTSR0	SSC0: master-transmitter/slave-receiver O/I
	77	O	P3.10	TxD0	ASC0: clock / data output (asynchronous/synchronous)
	78	I/O	P3.11	RxD0	ASC0: data input (asynchronous) or I/O (synchronous)
	79	O	P3.12	$\overline{\text{BHE}}$	External memory high byte enable signal
				$\overline{\text{WRH}}$	External memory high byte write strobe
	80	I/O	P3.13	SCLK0	SSC0: master clock output / slave clock input
81	O	P3.15	CLKOUT	System clock output (programmable divider on CPU clock)	

Table 2. Pin description (continued)

Symbol	Pin	Type	Function		
P4.0 –P4.7	85-92	I/O	Port 4 is an 8-bit bidirectional I/O port. It is bit-wise programmable for input or output via direction bit. Programming an I/O pin as input forces the corresponding output driver to high impedance state. The input threshold is selectable (TTL or CMOS). Port 4.4, 4.5, 4.6 and 4.7 outputs can be configured as push-pull or open drain drivers. In case of an external bus configuration, Port 4 can be used to output the segment address lines:		
	85	O	P4.0	A16	Segment address line
	86	O	P4.1	A17	Segment address line
	87	O	P4.2	A18	Segment address line
	88	O	P4.3	A19	Segment address line
	89	O	P4.4	A20	Segment address line
		I		CAN2_RxD	CAN2: receive data input
		I/O		SCL	I <sup>2</sup> C Interface: serial clock
	90	O	P4.5	A21	Segment address line
		I		CAN1_RxD	CAN1: receive data input
		I		CAN2_RxD	CAN2: receive data input
	91	O	P4.6	A22	Segment address line
		O		CAN1_TxD	CAN1: transmit data output
		O		CAN2_TxD	CAN2: transmit data output
	92	O	P4.7	A23	Most significant segment address line
		O		CAN2_TxD	CAN2: transmit data output
	I/O		SDA	I <sup>2</sup> C Interface: serial data	
$\overline{RD}$	95	O	External memory read strobe. $\overline{RD}$ is activated for every external instruction or data read access.		
$\overline{WR/WRL}$	96	O	External memory write strobe. In $\overline{WR}$ -mode this pin is activated for every external data write access. In $\overline{WRL}$ mode this pin is activated for low byte data write accesses on a 16-bit bus, and for every data write access on an 8-bit bus. See WRCFG in the SYSCON register for mode selection.		
READY/ $\overline{READY}$	97	I	Ready input. The active level is programmable. When the ready function is enabled, the selected inactive level at this pin, during an external memory access, will force the insertion of waitstate cycles until the pin returns to the selected active level.		
ALE	98	O	Address latch enable output. In case of use of external addressing or of multiplexed mode, this signal is the latch command of the address lines.		

Table 2. Pin description (continued)

Symbol	Pin	Type	Function																						
$\overline{EA} / V_{STBY}$	99	I	<p>External access enable pin.</p> <p>A low level applied to this pin during and after Reset forces the ST10F276Z5 to start the program from the external memory space. A high level forces the ST10F276Z5 to start in the internal memory space. This pin is also used (when Standby mode is entered, that is the device under reset and main <math>V_{DD}</math> turned off) to bias the 32 kHz oscillator amplifier circuit and to provide a reference voltage for the low-power embedded voltage regulator which generates the internal 1.8 V supply for the RTC module (when not disabled) and to retain data inside the Standby portion of the XRAM (16Kbyte).</p> <p>It can range from 4.5 to 5.5 V (6 V for a reduced amount of time during the device life, 4.0 V when RTC and 32 kHz on-chip oscillator amplifier are turned off). In running mode, this pin can be tied low during reset without affecting 32 kHz oscillator, RTC and XRAM activities, since the presence of a stable <math>V_{DD}</math> guarantees the proper biasing of all those modules.</p>																						
P0L.0 - P0L.7, P0H.0 P0H.1 - P0H.7	100-107, 108, 111-117	I/O	<p>Two 8-bit bidirectional I/O ports P0L and P0H, bit-wise programmable for input or output via direction bit. Programming an I/O pin as input forces the corresponding output driver to high impedance state. The input threshold of Port 0 is selectable (TTL or CMOS).</p> <p>In case of an external bus configuration, PORT0 serves as the address (A) and as the address / data (AD) bus in multiplexed bus modes and as the data (D) bus in demultiplexed bus modes.</p> <p>Demultiplexed bus modes</p> <table border="1"> <tr> <td>Data path width</td> <td>8-bit</td> <td>16-bit</td> </tr> <tr> <td>P0L.0 – P0L.7:</td> <td>D0 – D7</td> <td>D0 - D7</td> </tr> <tr> <td>P0H.0 – P0H.7:</td> <td>I/O</td> <td>D8 - D15</td> </tr> </table> <p>Multiplexed bus modes</p> <table border="1"> <tr> <td>Data path width</td> <td>8-bit</td> <td>16-bit</td> </tr> <tr> <td>P0L.0 – P0L.7:</td> <td>AD0 – AD7</td> <td>AD0 - AD7</td> </tr> <tr> <td>P0H.0 – P0H.7:</td> <td>A8 – A15</td> <td>AD8 - AD15</td> </tr> </table>			Data path width	8-bit	16-bit	P0L.0 – P0L.7:	D0 – D7	D0 - D7	P0H.0 – P0H.7:	I/O	D8 - D15	Data path width	8-bit	16-bit	P0L.0 – P0L.7:	AD0 – AD7	AD0 - AD7	P0H.0 – P0H.7:	A8 – A15	AD8 - AD15		
Data path width	8-bit	16-bit																							
P0L.0 – P0L.7:	D0 – D7	D0 - D7																							
P0H.0 – P0H.7:	I/O	D8 - D15																							
Data path width	8-bit	16-bit																							
P0L.0 – P0L.7:	AD0 – AD7	AD0 - AD7																							
P0H.0 – P0H.7:	A8 – A15	AD8 - AD15																							
P1L.0 - P1L.7 P1H.0 - P1H.7	118-125 128-135	I/O	<p>Two 8-bit bidirectional I/O ports P1L and P1H, bit-wise programmable for input or output via direction bit. Programming an I/O pin as input forces the corresponding output driver to high impedance state. PORT1 is used as the 16-bit address bus (A) in demultiplexed bus modes: if at least BUSCONx is configured such the demultiplexed mode is selected, the pins of PORT1 are not available for general purpose I/O function. The input threshold of Port 1 is selectable (TTL or CMOS).</p> <p>The pins of P1L also serve as the additional (up to 8) analog input channels for the A/D converter, where P1L.x equals ANy (Analog input channel y, where <math>y = x + 16</math>). This additional function have higher priority on demultiplexed bus function. The following PORT1 pins have alternate functions:</p> <table border="1"> <tr> <td>132</td> <td>I</td> <td>P1H.4</td> <td>CC24IO</td> <td>CAPCOM2: CC24 capture input</td> </tr> <tr> <td>133</td> <td>I</td> <td>P1H.5</td> <td>CC25IO</td> <td>CAPCOM2: CC25 capture input</td> </tr> <tr> <td>134</td> <td>I</td> <td>P1H.6</td> <td>CC26IO</td> <td>CAPCOM2: CC26 capture input</td> </tr> <tr> <td>135</td> <td>I</td> <td>P1H.7</td> <td>CC27IO</td> <td>CAPCOM2: CC27 capture input</td> </tr> </table>			132	I	P1H.4	CC24IO	CAPCOM2: CC24 capture input	133	I	P1H.5	CC25IO	CAPCOM2: CC25 capture input	134	I	P1H.6	CC26IO	CAPCOM2: CC26 capture input	135	I	P1H.7	CC27IO	CAPCOM2: CC27 capture input
132	I	P1H.4	CC24IO	CAPCOM2: CC24 capture input																					
133	I	P1H.5	CC25IO	CAPCOM2: CC25 capture input																					
134	I	P1H.6	CC26IO	CAPCOM2: CC26 capture input																					
135	I	P1H.7	CC27IO	CAPCOM2: CC27 capture input																					

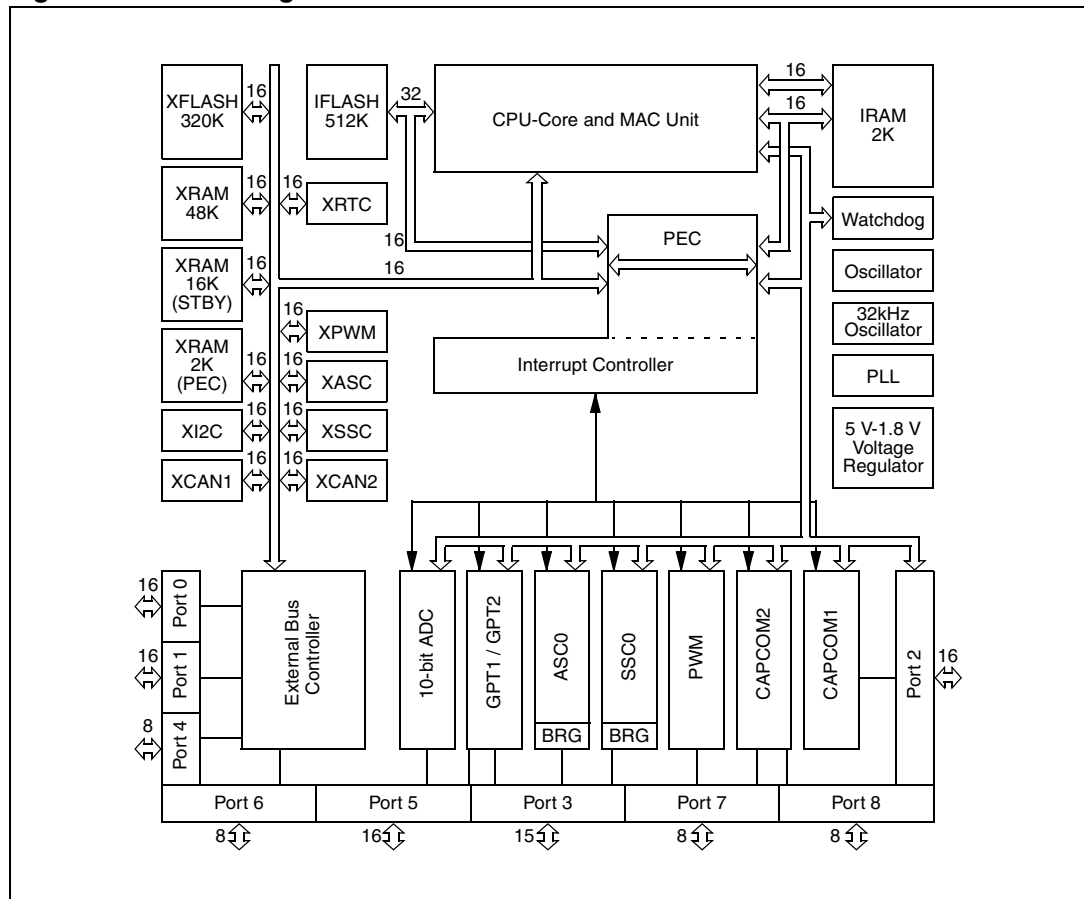
Table 2. Pin description (continued)

Symbol	Pin	Type	Function	
XTAL1	138	I	XTAL1	Main oscillator amplifier circuit and/or external clock input.
XTAL2	137	O	XTAL2	Main oscillator amplifier circuit output.
			To clock the device from an external source, drive XTAL1 while leaving XTAL2 unconnected. Minimum and maximum high / low and rise / fall times specified in the AC Characteristics must be observed.	
XTAL3	143	I	XTAL3	32 kHz oscillator amplifier circuit input
XTAL4	144	O	XTAL4	32 kHz oscillator amplifier circuit output
			When 32 kHz oscillator amplifier is not used, to avoid spurious consumption, XTAL3 shall be tied to ground while XTAL4 shall be left open. Besides, bit OFF32 in RTCCON register shall be set. 32 kHz oscillator can only be driven by an external crystal, and not by a different clock source.	
$\overline{\text{RSTIN}}$	140	I	Reset Input with CMOS Schmitt-Trigger characteristics. A low level at this pin for a specified duration while the oscillator is running resets the device. An internal pull-up resistor permits power-on reset using only a capacitor connected to $V_{SS}$ . In bidirectional reset mode (enabled by setting bit BDRSTEN in SYSCON register), the $\overline{\text{RSTIN}}$ line is pulled low for the duration of the internal reset sequence.	
$\overline{\text{RSTOUT}}$	141	O	Internal Reset Indication Output. This pin is driven to a low level during hardware, software or watchdog timer reset. $\overline{\text{RSTOUT}}$ remains low until the EINIT (end of initialization) instruction is executed.	
$\overline{\text{NMI}}$	142	I	Non-Maskable Interrupt Input. A high to low transition at this pin causes the CPU to vector to the NMI trap routine. If bit PWDCFG = '0' in SYSCON register, when the PWRDN (Power-down) instruction is executed, the $\overline{\text{NMI}}$ pin must be low in order to force the device to go into Power-down mode. If $\overline{\text{NMI}}$ is high and PWDCFG = '0', when PWRDN is executed, the part will continue to run in normal mode. If not used, pin $\overline{\text{NMI}}$ should be pulled high externally.	
$V_{\text{AREF}}$	37	-	A/D converter reference voltage and analog supply	
$V_{\text{AGND}}$	38	-	A/D converter reference and analog ground	
RPD	84	-	Timing pin for the return from interruptible Power-down mode and synchronous / asynchronous reset selection.	
$V_{\text{DD}}$	17, 46, 72,82,93, 109, 126, 136	-	Digital supply voltage = + 5 V during normal operation, idle and Power-down modes. It can be turned off when Standby RAM mode is selected.	
$V_{\text{SS}}$	18,45, 55,71, 83,94, 110, 127, 139	-	Digital ground	
$V_{18}$	56	-	1.8 V decoupling pin: a decoupling capacitor (typical value of 10 nF, max 100 nF) must be connected between this pin and nearest $V_{\text{SS}}$ pin.	

### 3 Functional description

The ST10F276Z5 architecture combines advantages of both RISC and CISC processors and an advanced peripheral subsystem. The block diagram gives an overview of the different on-chip components and the high bandwidth internal bus structure of the ST10F276Z5.

**Figure 3. Block diagram**



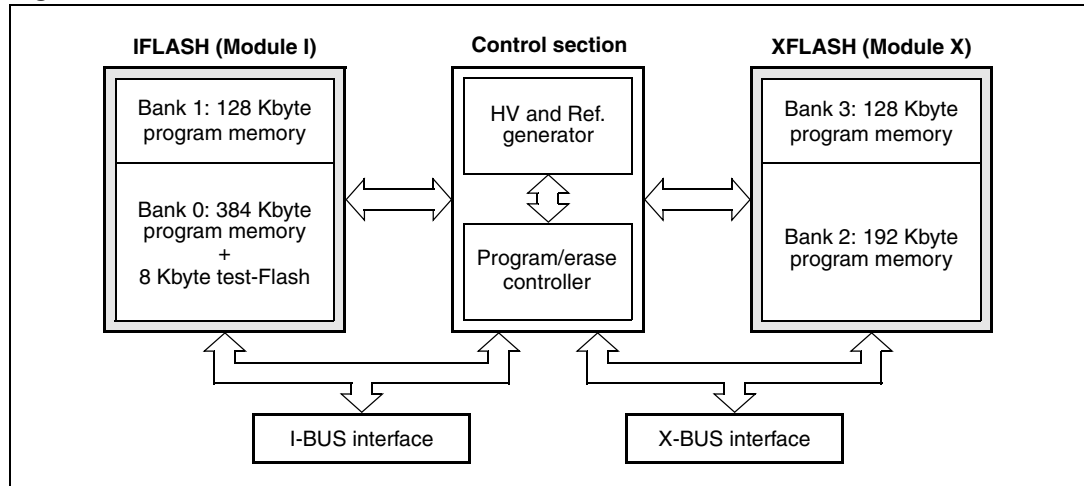


## 4 Internal Flash memory

### 4.1 Overview

The on-chip Flash is composed by two matrix modules each one containing one array divided in two banks that can be read and modified independently one of the other: one bank can be read while another bank is under modification.

Figure 4. Flash modules structure



The write operations of the 4 banks are managed by an embedded Flash program/erase controller (FPEC). The high voltages needed for program/erase operations are internally generated.

The data bus is 32-bit wide. Due to ST10 core architecture limitation, only the first 512 Kbytes are accessed at 32-bit (internal Flash bus, see I-BUS), while the remaining 320 Kbytes are accessed at 16-bit (see X-BUS).

## 4.2 Functional description

### 4.2.1 Structure

The following table shows the address space reserved to the Flash module.

Table 3. Flash modules absolute mapping

Description	Addresses	Size
IFLASH sectors	0x00 0000 to 0x08 FFFF	512 Kbyte
XFLASH sectors	0x09 0000 to 0x0D FFFF	320 Kbyte
Registers and Flash internal reserved area	0x0E 0000 to 0x0E FFFF	64 Kbyte

### 4.2.2 Modules structure

The IFLASH module is composed by 2 banks. Bank 0 contains 384 Kbyte of program memory divided in 10 sectors. Bank 0 contains also a reserved sector named test-Flash. Bank 1 contains 128 Kbyte of program memory or parameter divided in 2 sectors (64 Kbyte each).

The XFLASH module is composed by 2 banks as well. Bank 2 contains 192 Kbyte of Program Memory divided in 3 sectors. Bank 3 contains 128 Kbyte of program memory or parameter divided in 2 sectors (64 Kbyte each).

Addresses from 0x0E 0000 to 0x0E FFFF are reserved for the control register interface and other internal service memory space used by the Flash program/erase controller.

The following tables show the memory mapping of the Flash when it is accessed in read mode ([Table 4](#)), and when accessed in write or erase mode ([Table 3](#)): note that with this second mapping, the first three banks are remapped into code segment 1 (same as obtained when setting bit ROMS1 in SYSCON register).

**Table 4. Flash modules sectorization (read operations)**

Bank	Description	Addresses	Size	ST10 bus size
B0	Bank 0 Flash 0 (B0F0)	0x0000 0000 - 0x0000 1FFF	8 KB	32-bit (I-BUS)
	Bank 0 Flash 1 (B0F1)	0x0000 2000 - 0x0000 3FFF	8 KB	
	Bank 0 Flash 2 (B0F2)	0x0000 4000 - 0x0000 5FFF	8 KB	
	Bank 0 Flash 3 (B0F3)	0x0000 6000 - 0x0000 7FFF	8 KB	
	Bank 0 Flash 4 (B0F4)	0x0001 8000 - 0x0001 FFFF	32 KB	
	Bank 0 Flash 5 (B0F5)	0x0002 0000 - 0x0002 FFFF	64 KB	
	Bank 0 Flash 6 (B0F6)	0x0003 0000 - 0x0003 FFFF	64 KB	
	Bank 0 Flash 7 (B0F7)	0x0004 0000 - 0x0004 FFFF	64 KB	
	Bank 0 Flash 8 (B0F8)	0x0005 0000 - 0x0005 FFFF	64 KB	
	Bank 0 Flash 9 (B0F9)	0x0006 0000 - 0x0006 FFFF	64 KB	
B1	Bank 1 Flash 0 (B1F0)	0x0007 0000 - 0x0007 FFFF	64 KB	32-bit (I-BUS)
	Bank 1 Flash 1 (B1F1)	0x0008 0000 - 0x0008 FFFF	64 KB	
B2	Bank 2 Flash 0 (B2F0)	0x0009 0000 - 0x0009 FFFF	64 KB	16-bit (X-BUS)
	Bank 2 Flash 1 (B2F1)	0x000A 0000 - 0x000A FFFF	64 KB	
	Bank 2 Flash 2 (B2F2)	0x000B 0000 - 0x000B FFFF	64 KB	
B3	Bank 3 Flash 0 (B3F0)	0x000C 0000 - 0x000C FFFF	64 KB	
	Bank 3 Flash 1 (B3F1)	0x000D 0000 - 0x000D FFFF	64 KB	

**Table 5. Flash modules sectorization (write operations or with roms1='1')**

Bank	Description	Addresses	Size	ST10 Bus size
B0	Bank 0 Test-Flash (B0TF)	0x0000 0000 - 0x0000 1FFF	8 KB	32-bit (I-BUS)
	Bank 0 Flash 0 (B0F0)	0x0001 0000 - 0x0001 1FFF	8 KB	
	Bank 0 Flash 1 (B0F1)	0x0001 2000 - 0x0001 3FFF	8 KB	
	Bank 0 Flash 2 (B0F2)	0x0001 4000 - 0x0001 5FFF	8 KB	
	Bank 0 Flash 3 (B0F3)	0x0001 6000 - 0x0001 7FFF	8 KB	
	Bank 0 Flash 4 (B0F4)	0x0001 8000 - 0x0001 FFFF	32 KB	
	Bank 0 Flash 5 (B0F5)	0x0002 0000 - 0x0002 FFFF	64 KB	
	Bank 0 Flash 6 (B0F6)	0x0003 0000 - 0x0003 FFFF	64 KB	
	Bank 0 Flash 7 (B0F7)	0x0004 0000 - 0x0004 FFFF	64 KB	
	Bank 0 Flash 8 (B0F8)	0x0005 0000 - 0x0005 FFFF	64 KB	
	Bank 0 Flash 9 (B0F9)	0x0006 0000 - 0x0006 FFFF	64 KB	
B1	Bank 1 Flash 0 (B1F0)	0x0007 0000 - 0x0007 FFFF	64 KB	16-bit (X-BUS)
	Bank 1 Flash 1 (B1F1)	0x0008 0000 - 0x0008 FFFF	64 KB	
B2	Bank 2 Flash 0 (B2F0)	0x0009 0000 - 0x0009 FFFF	64 KB	
	Bank 2 Flash 1 (B2F1)	0x000A 0000 - 0x000A FFFF	64 KB	
	Bank 2 Flash 2 (B2F2)	0x000B 0000 - 0x000B FFFF	64 KB	
B3	Bank 3 Flash 0 (B3F0)	0x000C 0000 - 0x000C FFFF	64 KB	
	Bank 3 Flash 1 (B3F1)	0x000D 0000 - 0x000D FFFF	64 KB	

The table above refers to the configuration when bit ROMS1 of SYSCON register is set. When Bootstrap mode is entered:

- Test-Flash is seen and available for code fetches (address 00'0000h)
- User IFlash is only available for read and write accesses
- Write accesses must be made with addresses starting in segment 1 from 01'0000h, whatever ROMS1 bit in SYSCON value
- Read accesses are made in segment 0 or in segment 1 depending of ROMS1 value.

In Bootstrap mode, by default ROMS1 = 0, so the first 32KBytes of IFlash are mapped in segment 0.

**Example:** In default configuration, to program address 0, user must put the value 01'0000h in the FARL and FARH registers, but to verify the content of the address 0 a read to 00'0000h must be performed.

Table 6 shows the control register interface composition: this set of registers can be addressed by the CPU.

**Table 6. Control register interface**

Bank	Description	Addresses	Size	ST10 bus size
FCR1-0	Flash control registers 1-0	0x000E 0000 - 0x000E 0007	8 byte	16-bit (X-BUS)
FDR1-0	Flash data registers 1-0	0x000E 0008 - 0x000E 000F	8 byte	
FAR	Flash address registers	0x000E 0010 - 0x000E 0013	4 byte	
FER	Flash error register	0x000E 0014 - 0x000E 0015	2 byte	
FNVWPIXR	Flash non volatile protection X register	0x000E DFB0 - 0x000E DFB3	4 byte	
FNVWPIR	Flash non volatile protection I register	0x000E DFB4 - 0x000E DFB7	4 byte	
FNVAPR0	Flash non volatile access protection register 0	0x000E DFB8 - 0x000E DFB9	2 byte	
FNVAPR1	Flash non volatile access protection register 1	0x000E DFBC - 0x000E DFBF	4 byte	
XFICR	XFlash interface control register	0x000E E000 - 0x000E E001	2 byte	

### 4.2.3 Low power mode

The Flash modules are automatically switched off executing PWRDN instruction. The consumption is drastically reduced, but exiting this state can require a long time ( $t_{PD}$ ).

*Note: Recovery time from Power-down mode for the Flash modules is anyway shorter than the main oscillator start-up time. To avoid any problem in restarting to fetch code from the Flash, it is important to size properly the external circuit on RPD pin.*

Power-off Flash mode is entered only at the end of the eventually running Flash write operation.

## 4.3 Write operation

The Flash modules have one single register interface mapped in the memory space of the XFlash module (0x0E 0000 to 0x0E 0013). All the operations are enabled through four 16-bit control registers: Flash Control Register 1-0 High/Low (FCR1H/L-FCR0H/L). Eight other 16-bit registers are used to store Flash Address and Data for Program operations (FARH/L and FDR1H/L-FDR0H/L) and Write Operation Error flags (FERH/L). All registers are accessible with 8 and 16-bit instructions (since mapped on ST10 XBUS).

*Note: Before accessing the XFlash module (and consequently also the Flash register to be used for program/erasing operations), bit XFLASHEN in XPERCON register and bit XPEN in SYSCON register shall be set.*

The 4 Banks have their own dedicated sense amplifiers, so that any Bank can be read while any other Bank is written. However simultaneous write operations ("write" means either Program or Erase) on different Banks are forbidden: when there is a write operation on going (Program or Erase) anywhere in the Flash, no other write operation can be performed.

During a Flash write operation any attempt to read the bank under modification will output invalid data (software trap 009Bh). This means that the Flash Bank is not fetchable when a write operation is active: the write operation commands must be executed from another

Bank, or from the other module or again from another memory (internal RAM or external memory).

*Note:* During a Write operation, when bit LOCK of FCR0 is set, it is forbidden to write into the Flash Control Registers.

### 4.3.1 Power supply drop

If during a write operation the internal low voltage supply drops below a certain internal voltage threshold, any write operation running is suddenly interrupted and the modules are reset to Read mode. At following Power-on, an interrupted Flash write operation must be repeated.

## 4.4 Registers description

### 4.4.1 Flash control register 0 low

The Flash control register 0 low (FCR0L) together with the Flash control register 0 high (FCR0H) is used to enable and to monitor all the write operations for both the Flash modules. The user has no access in write mode to the test-Flash (B0TF). Besides, test-Flash block is seen by the user in Bootstrap mode only.

FCR0L (0x0E 0000)						FCR				Reset value: 0000h					
15	14	13	12	11	10	9	8	7	6	5	4	3	2	1	0
reserved									BSY1	BSY0	LOCK	res.	BSY3	BSY2	res.
									R	R	R		R	R	

**Table 7. Flash control register 0 low**

Bit	Function
BSY(3:2)	Bank 3:2 Busy (XFLASH) These bits indicate that a write operation is running on the corresponding Bank of XFLASH. They are automatically set when bit WMS is set. Setting Protection operation sets bit BSY2 (since protection registers are in the Block B2). When these bits are set every read access to the corresponding Bank will output invalid data (software trap 009Bh), while every write access to the Bank will be ignored. At the end of the write operation or during a Program or Erase Suspend these bits are automatically reset and the Bank returns to read mode. After a Program or Erase Resume these bits are automatically set again.

**Table 7. Flash control register 0 low (continued)**

Bit	Function
LOCK	Flash registers access locked When this bit is set, it means that the access to the Flash Control Registers FCR0H/-FCR1H/L, FDR0H/L-FDR1H/L, FARH/L and FER is locked by the FPEC: any read access to the registers will output invalid data (software trap 009Bh) and any write access will be ineffective. LOCK bit is automatically set when the Flash bit WMS is set. This is the only bit the user can always access to detect the status of the Flash: once it is found low, the rest of FCR0L and all the other Flash registers are accessible by the user as well. Note that FER content can be read when LOCK is low, but its content is updated only when also BSY bits are reset.
BSY(1:0)	Bank 1:0 Busy (IFLASH) These bits indicate that a write operation is running in the corresponding Bank of IFLASH. They are automatically set when bit WMS is set. When these bits are set every read access to the corresponding Bank will output invalid data (software trap 009Bh), while every write access to the Bank will be ignored. At the end of the write operation or during a Program or Erase Suspend these bits are automatically reset and the Bank returns to read mode. After a Program or Erase Resume these bits are automatically set again.

#### 4.4.2 Flash control register 0 high

The Flash control register 0 high (FCR0H) together with the Flash control register 0 Low (FCR0L) is used to enable and to monitor all the write operations for both the Flash modules. The user has no access in write mode to the Test-Flash (B0TF). Besides, test-Flash block is seen by the user in Bootstrap mode only.

FCR0H (0x0E 0002)										FCR				Reset value: 0000h			
15	14	13	12	11	10	9	8	7	6	5	4	3	2	1	0		
WMS	SUSP	WPG	DWPG	SER	Reserved		SPR	SMOD	Reserved								
RW	RW	RW	RW	RW			RW	RW									

**Table 8. Flash control register 0 high**

Bit	Function
SMOD	Select module If this bit is reset, the Write Operation is performed on XFLASH Module; if this bit is set, the Write Operation is performed on IFLASH Module. SMOD bit is automatically reset at the end of the Write operation.
SPR	Set protection This bit must be set to select the Set Protection operation. The Set Protection operation allows to program 0s in place of 1s in the Flash Non Volatile Protection Registers. The Flash Address in which to program must be written in the FARH/L registers, while the Flash Data to be programmed must be written in the FDR0H/L before starting the execution by setting bit WMS. A sequence error is flagged by bit SEQER of FER if the address written in FARH/L is not in the range 0x0EDFB0-0x0EDFBF. SPR bit is automatically reset at the end of the Set Protection operation.

Table 8. Flash control register 0 high (continued)

Bit	Function
SER	<p>Sector erase</p> <p>This bit must be set to select the Sector Erase operation in the Flash modules. The Sector Erase operation allows to erase all the Flash locations to 0xFF. From 1 to all the sectors of the same Bank (excluded Test-Flash for Bank B0) can be selected to be erased through bits BxFy of FCR1H/L registers before starting the execution by setting bit WMS. It is not necessary to pre-program the sectors to 0x00, because this is done automatically. SER bit is automatically reset at the end of the Sector Erase operation.</p>
DWPG	<p>Double word program</p> <p>This bit must be set to select the Double Word (64 bits) Program operation in the Flash modules. The Double Word Program operation allows to program 0s in place of 1s. The Flash Address in which to program (aligned with even words) must be written in the FARH/L registers, while the 2 Flash Data to be programmed must be written in the FDR0H/L registers (even word) and FDR1H/L registers (odd word) before starting the execution by setting bit WMS. DWPG bit is automatically reset at the end of the Double Word Program operation.</p>
WPG	<p>Word program</p> <p>This bit must be set to select the Word (32 bits) Program operation in the Flash modules. The Word Program operation allows to program 0s in place of 1s. The Flash Address to be programmed must be written in the FARH/L registers, while the Flash Data to be programmed must be written in the FDR0H/L registers before starting the execution by setting bit WMS. WPG bit is automatically reset at the end of the Word Program operation.</p>
SUSP	<p>Suspend</p> <p>This bit must be set to suspend the current Program (Word or Double Word) or Sector Erase operation in order to read data in one of the Sectors of the Bank under modification or to program data in another Bank. The Suspend operation resets the Flash Bank to normal read mode (automatically resetting bits BSYx). When in Program Suspend, the two Flash modules accept only the following operations: Read and Program Resume. When in Erase Suspend the modules accept only the following operations: Read, Erase Resume and Program (Word or Double Word; Program operations cannot be suspended during Erase Suspend). To resume the suspended operation, the WMS bit must be set again, together with the selection bit corresponding to the operation to resume (WPG, DWPG, SER).</p> <p><b>Note:</b> It is forbidden to start a new Write operation with bit SUSP already set.</p>
WMS	<p>Write mode start</p> <p>This bit must be set to start every write operation in the Flash modules. At the end of the write operation or during a Suspend, this bit is automatically reset. To resume a suspended operation, this bit must be set again. It is forbidden to set this bit if bit ERR or FER is high (the operation is not accepted). It is also forbidden to start a new write (program or erase) operation (by setting WMS high) when bit SUSP of FCR0 is high. Resetting this bit by software has no effect.</p>

### 4.4.3 Flash control register 1 low

The Flash control register 1 low (FCR1L), together with Flash control register 1 high (FCR1H), is used to select the sectors to erase, or during any write operation to monitor the status of each sector of the module selected by SMOD bit of FCR0H. First diagram shows FCR1L meaning when SMOD=0; the second one when SMOD=1.

FCR1L (0x0E 0004) SMOD=0											FCR			Reset value: 0000h		
15	14	13	12	11	10	9	8	7	6	5	4	3	2	1	0	
Reserved												B2F2	B2F1	B2F0		
												RS	RS	RS		

FCR1L (0x0E 0004) SMOD=1											FCR					Reset value: 0000h				
15	14	13	12	11	10	9	8	7	6	5	4	3	2	1	0					
Reserved						B0F9	B0F8	B0F7	B0F6	B0F5	B0F4	B0F3	B0F2	B0F1	B0F0					
						RS	RS	RS	RS	RS	RS	RS	RS	RS	RS					

**Table 9. Flash control register 1 low**

Bit	Function
<b>SMOD=0 (XFLASH selected)</b>	
B2F(2:0)	Bank 2 XFLASH sector 2:0 status These bits must be set during a Sector Erase operation to select the sectors to erase in bank 2. Besides, during any erase operation, these bits are automatically set and give the status of the 3 sectors of bank 2 (B2F2-B2F0). The meaning of B2Fy bit for sector y of bank 2 is given by the next Table 11. These bits are automatically reset at the end of a write operation if no errors are detected.
<b>SMOD=1 (IFLASH selected)</b>	
B0F(9:0)	Bank 0 IFLASH sector 9:0 status These bits must be set during a Sector Erase operation to select the sectors to erase in bank 0. Besides, during any erase operation, these bits are automatically set and give the status of the 10 sectors of bank 0 (B0F9-B0F0). The meaning of B0Fy bit for sector y of bank 0 is given by the next Table 11. These bits are automatically reset at the end of a Write operation if no errors are detected.



### 4.4.4 Flash control register 1 high

The Flash control register 1 high (FCR1H), together with Flash control register 1 low (FCR1L), is used to select the sectors to erase, or during any write operation to monitor the status of each sector and each bank of the module selected by SMOD bit of FCR0H. First diagram shows FCR1H meaning when SMOD=0; the second one when SMOD=1.

FCR1H (0x0E 0006) SMOD=0										FCR			Reset value: 0000h		
15	14	13	12	11	10	9	8	7	6	5	4	3	2	1	0
reserved						B3S	B2S	reserved					B3F1	B3F0	
						RS	RS						RS	RS	

FCR1H (0x0E 0006) SMOD=1										FCR			Reset value: 0000h		
15	14	13	12	11	10	9	8	7	6	5	4	3	2	1	0
reserved						B1S	B0S	reserved					B1F1	B1F0	
-						RS	RS						RS	RS	

**Table 10. Flash control register 1 high**

Bit	Function
<b>SMOD=0 (XFLASH selected)</b>	
B3F(1:0)	Bank 3 XFLASH sector 1:0 status During any erase operation, these bits are automatically set and give the status of the 2 sectors of bank 3 (B3F1-B3F0). The meaning of B3Fy bit for sector y of bank 1 is given by the next <a href="#">Table 11</a> . These bits are automatically reset at the end of a erase operation if no errors are detected.
B(3:2)S	Bank 3-2 status (XFLASH) During any erase operation, these bits are automatically modified and give the status of the 2 Banks (B3-B2). The meaning of BxS bit for bank x is given in the next <a href="#">Table 11</a> . These bits are automatically reset at the end of a erase operation if no errors are detected.
<b>SMOD=1 (IFLASH selected)</b>	
B1F(1:0)	Bank 1 IFLASH sector 1:0 status During any erase operation, these bits are automatically set and give the status of the 2 sectors of bank 1 (B1F1-B1F0). The meaning of B1Fy bit for sector y of bank 1 is given by the next <a href="#">Table 11</a> . These bits are automatically reset at the end of a erase operation if no errors are detected.
B(1:0)S	Bank 1-0 status (IFLASH) During any erase operation, these bits are automatically modified and give the status of the 2 banks (B1-B0). The meaning of BxS bit for bank x is given in the next <a href="#">Table 11</a> . These bits are automatically reset at the end of a erase operation if no errors are detected.

During any erase operation, these bits are automatically set and give the status of the 2 sectors of Bank 1 (B1F1-B1F0). The meaning of B1Fy bit for sector y of bank 1 is given by the next [Table 11](#). These bits are automatically reset at the end of a erase operation if no errors are detected.

**Table 11. Banks (BxS) and sectors (BxFy) status bits meaning**

ERR	SUSP	BxS = 1 meaning	BxFy = 1 meaning
1	-	Erase error in bank x	Erase error in sector y of bank x
0	1	Erase suspended in bank x	Erase suspended in sector y of bank x
0	0	Don't care	Don't care

#### 4.4.5 Flash data register 0 low

The Flash address registers (FARH/L) and the Flash data registers (FDR1H/L-FDR0H/L) are used during the program operations to store Flash Address in which to program and data to program.

FDR0L (0x0E 0008)										FCR					Reset value: FFFFh				
15	14	13	12	11	10	9	8	7	6	5	4	3	2	1	0				
DIN15	DIN14	DIN13	DIN12	DIN11	DIN10	DIN9	DIN8	DIN7	DIN6	DIN5	DIN4	DIN3	DIN2	DIN1	DIN0				
RW	RW	RW	RW	RW	RW	RW	RW	RW	RW	RW	RW	RW	RW	RW	RW				

**Table 12. Flash data register 0 low**

Bit	Function
DIN(15:0)	Data input 15:0 These bits must be written with the data to program the Flash with the following operations: word program (32-bit), double word program (64-bit) and set protection.

#### 4.4.6 Flash data register 0 high

FDR0H (0x0E 000A)										FCR					Reset value: FFFFh				
15	14	13	12	11	10	9	8	7	6	5	4	3	2	1	0				
DIN31	DIN30	DIN29	DIN28	DIN27	DIN26	DIN25	DIN24	DIN23	DIN22	DIN21	DIN20	DIN19	DIN18	DIN17	DIN16				
RW	RW	RW	RW	RW	RW	RW	RW	RW	RW	RW	RW	RW	RW	RW	RW				

**Table 13. Flash data register 0 high**

Bit	Function
DIN(31:16)	Data input 31:16 These bits must be written with the data to program the Flash with the following operations: word program (32-bit), double word program (64-bit) and set protection.

### 4.4.7 Flash data register 1 low

FDR1L (0x0E 000C)										FCR					Reset value: FFFFh				
15	14	13	12	11	10	9	8	7	6	5	4	3	2	1	0				
DIN15	DIN14	DIN13	DIN12	DIN11	DIN10	DIN9	DIN8	DIN7	DIN6	DIN5	DIN4	DIN3	DIN2	DIN1	DIN0				
RW	RW	RW	RW	RW	RW	RW	RW	RW	RW	RW	RW	RW	RW	RW	RW				

**Table 14. Flash data register 1 low**

Bit	Function
DIN(15:0)	Data Input 15:0 These bits must be written with the Data to program the Flash with the following operations: Word Program (32-bit), Double Word Program (64-bit) and Set Protection.

### 4.4.8 Flash data register 1 high

FDR1H (0x0E 000E)										FCR					Reset value: FFFFh				
15	14	13	12	11	10	9	8	7	6	5	4	3	2	1	0				
DIN31	DIN30	DIN29	DIN28	DIN27	DIN26	DIN25	DIN24	DIN23	DIN22	DIN21	DIN20	DIN19	DIN18	DIN17	DIN16				
RW	RW	RW	RW	RW	RW	RW	RW	RW	RW	RW	RW	RW	RW	RW	RW				

**Table 15. Flash data register 1 high**

Bit	Function
DIN(31:16)	Data input 31:16 These bits must be written with the data to program the Flash with the following operations: word program (32-bit), double word program (64-bit) and set protection.

### 4.4.9 Flash address register low

FARL (0x0E 0010)										FCR					Reset value: 0000h				
15	14	13	12	11	10	9	8	7	6	5	4	3	2	1	0				
ADD15	ADD14	ADD13	ADD12	ADD11	ADD10	ADD9	ADD8	ADD7	ADD6	ADD5	ADD4	ADD3	ADD2	reserved					
RW	RW	RW	RW	RW	RW	RW	RW	RW	RW	RW	RW	RW	RW	RW					

**Table 16. Flash address register low**

Bit	Function
ADD(15:2)	Address 15:2 These bits must be written with the address of the Flash location to program in the following operations: word program (32-bit) and double word program (64-bit). In double word program bit ADD2 must be written to '0'.

### 4.4.10 Flash address register high

FARH (0x0E 0012)					FCR					Reset value: 0000h					
15	14	13	12	11	10	9	8	7	6	5	4	3	2	1	0
reserved										ADD20	ADD19	ADD18	ADD17	ADD16	
										RW	RW	RW	RW	RW	

**Table 17. Flash address register high**

Bit	Function
ADD(20:16)	Address 20:16 These bits must be written with the address of the Flash location to program in the following operations: word program and double word program.

### 4.4.11 Flash error register

Flash error register, as well as all the other Flash registers, can be properly read only once LOCK bit of register FCR0L is low. Nevertheless, its content is updated when also BSY bits are reset as well; for this reason, it is definitively meaningful reading FER register content only when LOCK bit and all BSY bits are cleared.

FER (0xE 0014h)					FCR					Reset value: 0000h					
15	14	13	12	11	10	9	8	7	6	5	4	3	2	1	0
reserved							WPF	RESER	SEQER	reserved	10ER	PGER	ERER	ERR	
							RC	RC	RC		RC	RC	RC	RC	

**Table 18. Flash error register**

Bit	Function
ERR	Write error This bit is automatically set when an error occurs during a Flash write operation or when a bad write operation setup is done. Once the error has been discovered and understood, ERR bit must be software reset.
ERER	Erase error This bit is automatically set when an erase error occurs during a Flash write operation. This error is due to a real failure of a Flash cell, that can no more be erased. This kind of error is fatal and the sector where it occurred must be discarded. This bit has to be software reset.
PGER	Program error This bit is automatically set when a program error occurs during a Flash write operation. This error is due to a real failure of a Flash cell, that can no more be programmed. The word where this error occurred must be discarded. This bit has to be software reset.
10ER	1 over 0 error This bit is automatically set when trying to program at 1 bits previously set at 0 (this does not happen when programming the protection bits). This error is not due to a failure of the Flash cell, but only flags that the desired data has not been written. This bit has to be software reset.

**Table 18. Flash error register (continued)**

Bit	Function
SEQER	Sequence error This bit is automatically set when the control registers (FCR1H/L-FCR0H/L, FARH/L, FDR1H/L-FDR0H/L) are not correctly filled to execute a valid write operation. In this case no write operation is executed. This bit has to be software reset.
RESER	Resume error This bit is automatically set when a suspended program or erase operation is not resumed correctly due to a protocol error. In this case the suspended operation is aborted. This bit has to be software reset.
WPF	Write protection flag This bit is automatically set when trying to program or erase in a sector write protected. In case of multiple sector erase, the not protected sectors are erased, while the protected sectors are not erased and bit WPF is set. This bit has to be software reset.

#### 4.4.12 XFlash interface control register

This register is used to configure the XFLASH interface behavior on the XBUS. It allows to set the number of wait states introduced on the XBUS before the internal  $\overline{\text{READY}}$  signal is given to the ST10 bus master.

XFICR (0xE E000h)										XBUS				Reset value: 000Fh					
15	14	13	12	11	10	9	8	7	6	5	4	3	2	1	0				
reserved												WS3	WS2	WS1	WS0				
												RW	RW	RW	RW				

**Table 19. XFlash interface control register**

Bit	Function
WS(3:0)	Wait state setting These three bits are the binary coding of the number of wait states introduced by the XFLASH interface through the XBUS internal $\overline{\text{READY}}$ signal. Default value after reset is 1111, that is the up to 15 wait states are set. The following recommendations for the ST10F276Z5 are hereafter reported: For $f_{\text{CPU}} > 40 \text{ MHz}$ Wait-StateWS(3:0) = '0001' For $f_{\text{CPU}} \leq 40 \text{ MHz}$ Wait-StateWS(3:0) = '0000'

## 4.5 Protection strategy

The protection bits are stored in Non Volatile Flash cells inside XFLASH module, that are read once at reset and stored in 7 Volatile registers. Before they are read from the Non Volatile cells, all the available protections are forced active during reset.

The protections can be programmed using the Set Protection operation (see Flash Control Registers paragraph), that can be executed from all the internal or external memories except from the Flash Bank B2.

Two kind of protections are available: write protections to avoid unwanted writings and access protections to avoid piracy. In next paragraphs all different level of protections are shown, and architecture limitations are highlighted as well.

### 4.5.1 Protection registers

The 7 Non Volatile Protection Registers are one time programmable for the user.

Four registers (FNVWPXRL/H-FNVWPIRL/H) are used to store the Write Protection fuses respectively for each sector of the XFLASH Module (see X) and IFLASH module (see I). The other three Registers (FNVAPR0 and FNVAPR1L/H) are used to store the Access Protection fuses (common to both Flash modules even though with some limitations).

### 4.5.2 Flash non volatile write protection X register low

FNVWPXRL (0x0E DFB0)										NVR			Delivery value: FFFFh		
15	14	13	12	11	10	9	8	7	6	5	4	3	2	1	0
W2PPR	reserved											W2P2	W2P1	W2P0	
RW												RW	RW	RW	

**Table 20. Flash non volatile write protection X register low**

Bit	Function
W2P(2:0)	Write Protection Bank 2 sectors 2-0 (XFLASH) These bits, if programmed at 0, disable any write access to the sectors of Bank 2 (XFLASH).
W2PPR	Write Protection Bank 2 Non Volatile cells This bit, if programmed at 0, disables any write access to the Non Volatile cells of Bank 2. Since these Non Volatile cells are dedicated to Protection registers, once W2PPR bit is set, the configuration of protection setting is frozen, and can only be modified executing a Temporary Write Unprotection operation.

### 4.5.3 Flash non volatile write protection X register high

FNVWPXRH (0x0E DF B2)										NVR				Delivery value: FFFFh	
15	14	13	12	11	10	9	8	7	6	5	4	3	2	1	0
reserved													W3P1	W3P0	
													RW	RW	

**Table 21. Flash non volatile write protection X register high**

Bit	Function
W3P(1:0)	Write Protection Bank 3 / Sectors 1-0 (XFLASH) These bits, if programmed at 0, disable any write access to the sectors of Bank 3 (XFLASH).

### 4.5.4 Flash non volatile write protection I register low

FNVWPIRL (0x0E DFB4)										NVR				Delivery value: FFFFh	
15	14	13	12	11	10	9	8	7	6	5	4	3	2	1	0
reserved						W0P9	W0P8	W0P7	W0P6	W0P5	W0P4	W0P3	W0P2	W0P1	W0P0
						RW	RW	RW	RW	RW	RW	RW	RW	RW	RW

**Table 22. Flash non volatile write protection I register low**

Bit	Function
W0P(9:0)	Write Protection Bank 0 / Sectors 9-0 (IFLASH) These bits, if programmed at 0, disable any write access to the sectors of Bank 0 (IFLASH).

### 4.5.5 Flash non volatile write protection I register high

FNVWPIRH (0x0E DFB6)										NVR				Delivery value: FFFFh	
15	14	13	12	11	10	9	8	7	6	5	4	3	2	1	0
reserved													W1P1	W1P0	
													RW	RW	

**Table 23. Flash non volatile write protection I register high**

Bit	Function
W1P(1:0)	Write Protection Bank 1 / Sectors 1-0 (IFLASH) These bits, if programmed at 0, disable any write access to the sectors of Bank 1 (IFLASH).

### 4.5.6 Flash non volatile access protection register 0

Due to ST10 architecture, the XFLASH is seen as external memory: this made impossible to access protect it from real external memory or internal RAM.

FNVAPR0 (0x0E DFB8)											NVR				Delivery value: ACFFh	
15	14	13	12	11	10	9	8	7	6	5	4	3	2	1	0	
reserved													DBGP	ACCP		
													RW	RW		

**Table 24. Flash non volatile access protection register 0**

Bit	Function
ACCP	<p>Access Protection</p> <p>This bit, if programmed at 0, disables any access (read/write) to data mapped inside IFlash Module address space, unless the current instruction is fetched from one of the two Flash modules.</p>
DBGP	<p>Debug Protection</p> <p>This bit, if erased at 1, allows to by-pass all the protections using the Debug features through the Test Interface. If programmed at 0, on the contrary, all the debug features, the Test Interface and all the Flash Test modes are disabled. Even STMicroelectronics will not be able to access the device to run any eventual failure analysis.</p>

### 4.5.7 Flash non volatile access protection register 1 low

FNVAPR1L (0x0E DFBC)											NVR				Delivery value: FFFFh	
15	14	13	12	11	10	9	8	7	6	5	4	3	2	1	0	
PDS15	PDS14	PDS13	PDS12	PDS11	PDS10	PDS9	PDS8	PDS7	PDS6	PDS5	PDS4	PDS3	PDS2	PDS1	PDS0	
RW	RW	RW	RW	RW	RW	RW	RW	RW	RW	RW	RW	RW	RW	RW	RW	

**Table 25. Flash non volatile access protection register 1 low**

Bit	Function
PDS(15:0)	<p>Protections Disable 15-0</p> <p>If bit PDSx is programmed at 0 and bit PENx is erased at 1, the action of bit ACCP is disabled. Bit PDS0 can be programmed at 0 only if bits DBGP and ACCP have already been programmed at 0. Bit PDSx can be programmed at 0 only if bit PENx-1 has already been programmed at 0.</p>



### 4.5.8 Flash non volatile access protection register 1 high

FNVAPR1H (0x0E DFBE)											NVR				Delivery value: FFFFh	
15	14	13	12	11	10	9	8	7	6	5	4	3	2	1	0	
PEN15	PEN14	PEN13	PEN12	PEN11	PEN10	PEN9	PEN8	PEN7	PEN6	PEN5	PEN4	PEN3	PEN2	PEN1	PEN0	
RW	RW	RW	RW	RW	RW	RW	RW	RW	RW	RW	RW	RW	RW	RW	RW	

**Table 26. Flash non volatile access protection register 1 high**

Bit	Function
PEN15-0	Protections Enable 15-0 If bit PENx is programmed at 0 and bit PDSx+1 is erased at 1, the action of bit ACCP is enabled again. Bit PENx can be programmed at 0 only if bit PDSx has already been programmed at 0.

### 4.5.9 Access protection

The Flash modules have one level of access protection (access to data both in Reading and Writing): if bit ACCP of FNVAPR0 is programmed at 0, the IFlash module become access protected: data in the IFlash module can be read/written only if the current execution is from the IFlash module itself.

Protection can be permanently disabled by programming bit PDS0 of FNVAPR1H, in order to analyze rejects. Allowing PDS0 bit programming only when ACCP bit is programmed, guarantees that only an execution from the Flash itself can disable the protections.

Protection can be permanently enabled again by programming bit PEN0 of FNVAPR1L. The action to disable and enable again Access Protections in a permanent way can be executed a maximum of 16 times.

Trying to write into the access protected Flash from internal RAM will be unsuccessful. Trying to read into the access protected Flash from internal RAM will output a dummy data.

When the Flash module is protected in access, also the data access through PEC of a peripheral is forbidden. To read/write data in PEC mode from/to a protected Bank, first it is necessary to temporary unprotect the Flash module.

Due to ST10 architecture, the XFLASH is seen as external memory: this makes impossible to access protect it from real external memory or internal RAM. In the following table a summary of all levels of possible Access protection is reported: in particular, supposing to enable all possible access protections, when fetching from a memory as listed in the first column, what is possible and what is not possible to do (see column headers) is shown in the table.

**Table 27. Summary of access protection level**

	Read IFLASH / Jump to IFLASH	Read XFLASH / Jump to XFLASH	Read FLASH Registers	Write FLASH Registers
Fetching from IFLASH	Yes / Yes	Yes / Yes	Yes	Yes
Fetching from XFLASH	No / Yes	Yes / Yes	Yes	No
Fetching from IRAM	No / Yes	Yes / Yes	Yes	No

**Table 27. Summary of access protection level (continued)**

	<b>Read IFLASH / Jump to IFLASH</b>	<b>Read XFLASH /Jump to XFLASH</b>	<b>Read FLASH Registers</b>	<b>Write FLASH Registers</b>
Fetching from XRAM	No / Yes	Yes / Yes	Yes	No
Fetching from External Memory	No / Yes	Yes / Yes	Yes	No

#### 4.5.10 Write protection

The Flash modules have one level of Write Protections: each Sector of each Bank of each Flash Module can be Software Write Protected by programming at 0 the related bit WyPx of FNVWPXRH/L-FNVWPIRH/L registers.

#### 4.5.11 Temporary unprotection

Bits WyPx of FNVWPXRH/L-FNVWPIRH/L can be temporary unprotected by executing the Set Protection operation and writing 1 into these bits.

Bit ACCP can be temporary unprotected by executing the Set Protection operation and writing 1 into these bits, but only if these write instructions are executed from the Flash Modules.

To restore the write and access protection bits it is necessary to reset the microcontroller or to execute a Set Protection operation and write 0 into the desired bits.

It is not necessary to temporary unprotect an access protected Flash in order to update the code: it is, in fact, sufficient to execute the updating instructions from another Flash Bank.

In reality, when a temporary unprotection operation is executed, the corresponding volatile register is written to 1, while the non volatile registers bits previously written to 0 (for a protection set operation), will continue to maintain the 0. For this reason, the User software must be in charge to track the current protection status (for instance using a specific RAM area), it is not possible to deduce it by reading the non volatile register content (a temporary unprotection cannot be detected).

## 4.6 Write operation examples

In the following, examples for each kind of Flash write operation are presented.

### Word program

Example: 32-bit Word Program of data 0xAAAAAAAA at address 0x0C5554 in XFLASH Module.

```
FCR0H|= 0x2000; /*Set WPG in FCR0H*/
FARL = 0x5554; /*Load Add in FARL*/
FARH = 0x000C; /*Load Add in FARH*/
FDR0L = 0xAAAA; /*Load Data in FDR0L*/
FDR0H = 0xAAAA; /*Load Data in FDR0H*/
FCR0H|= 0x8000; /*Operation start*/
```

### Double word program

Example: Double Word Program (64-bit) of data 0x55AA55AA at address 0x095558 and data 0xAA55AA55 at address 0x09555C in IFLASH Module.

```
FCR0H|= 0x1080; /*Set DWPG, SMOD*/
FARL = 0x5558; /*Load Add in FARL*/
FARH = 0x0009; /*Load Add in FARH*/
FDR0L = 0x55AA; /*Load Data in FDR0L*/
FDR0H = 0x55AA; /*Load Data in FDR0H*/
FDR1L = 0xAA55; /*Load Data in FDR1L*/
FDR1H = 0xAA55; /*Load Data in FDR1H*/
FCR0H|= 0x8000; /*Operation start*/
```

Double Word Program is always performed on the Double Word aligned on a even Word: bit ADD2 of FARL is ignored.

### Sector erase

Example: Sector Erase of sectors B3F1 and B3F0 of Bank 3 in XFLASH Module.

```
FCR0H|= 0x0800; /*Set SER in FCR0H*/
FCR1H|= 0x0003; /*Set B3F1, B3F0*/
FCR0H|= 0x8000; /*Operation start*/
```

### Suspend and resume

Word Program, Double Word Program, and Sector Erase operations can be suspended in the following way:

```
FCR0H|= 0x4000; /*Set SUSP in FCR0H*/
```

Then the operation can be resumed in the following way:

```
FCR0H|= 0x0800; /*Set SER in FCR0H*/
FCR0H|= 0x8000; /*Operation resume*/
```

Before resuming a suspended Erase, FCR1H/FCR1L must be read to check if the Erase is already completed (FCR1H = FCR1L = 0x0000 if Erase is complete). Original setup of Select Operation bits in FCR0H/L must be restored before the operation resume, otherwise the operation is aborted and bit RESER of FER is set.

### Erase suspend, program and resume

A Sector Erase operation can be suspended in order to program (Word or Double Word) another Sector.

Example: Sector Erase of sector B3F1 of Bank 3 in XFLASH Module.

```
FCR0H|= 0x0800; /*Set SER in FCR0H*/
FCR1H|= 0x0002; /*Set B3F1*/
FCR0H|= 0x8000; /*Operation start*/
```

Example: Sector Erase Suspend.

```
FCR0H|= 0x4000; /*Set SUSP in FCR0H*/
do      /*Loop to wait for LOCK=0 and WMS=0*/
{tmp1 = FCR0L;
  tmp2 = FCR0H;
} while ((tmp1 && 0x0010) || (tmp2 && 0x8000));
```

Example: Word Program of data 0x5555AAAA at address 0x0C5554 in XFLASH module.

```
FCR0H&= 0xBFFF; /*Rst SUSP in FCR0H*/
FCR0H|= 0x2000; /*Set WPG in FCR0H*/
FARL = 0x5554; /*Load Add in FARL*/
FARH = 0x000C; /*Load Add in FARH*/
FDR0L = 0xAAAA; /*Load Data in FDR0L*/
FDR0H = 0x5555; /*Load Data in FDR0H*/
FCR0H|= 0x8000; /*Operation start*/
```

Once the Program operation is finished, the Erase operation can be resumed in the following way:

```
FCR0H|= 0x0800; /*Set SER in FCR0H*/
FCR0H|= 0x8000; /*Operation resume*/
```

Notice that during the Program Operation in Erase suspend, bits SER and SUSP are low. A Word or Double Word Program during Erase Suspend cannot be suspended.

To summarize:

- A Sector Erase can be suspended by setting SUSP bit
- To perform a Word Program operation during Erase Suspend, firstly bits SUSP and SER must be reset, then bit WPG and WMS can be set
- To resume the Sector Erase operation bit SER must be set again
- In any case it is forbidden to start any write operation with SUSP bit already set

### Set protection

**Example 1:** Enable Write Protection of sectors B0F3-0 of Bank 0 in IFLASH module.

```
FCR0H|= 0x0100; /*Set SPR in FCR0H*/
FARL = 0xDFB4; /*Load Add of register FNVWPIRL in FARL*/
FARH = 0x000E; /*Load Add of register FNVWPIRL in FARH*/
FDR0L = 0xFFF0; /*Load Data in FDR0L*/
FDR0H = 0xFFFF; /*Load Data in FDR0H*/
FCR0H|= 0x8000; /*Operation start*/
```

Notice that bit SMOD of FCR0H must not be set, since Write Protection bits of IFLASH Module are stored in Test-Flash (XFLASH Module).

**Example 2:** Enable Access and Debug Protection.

```
FCR0H|= 0x0100; /*Set SPR in FCR0H*/
FARL = 0xDFB8; /*Load Add of register FNVAPR0 in FARL*/
FARH = 0x000E; /*Load Add of register FNVAPR0 in FARH*/
FDR0L = 0xFFFFC; /*Load Data in FDR0L*/
FCR0H|= 0x8000; /*Operation start*/
```

**Example 3:** Disable in a permanent way Access and Debug Protection.

```
FCR0H|= 0x0100; /*Set SPR in FCR0H*/
FARL = 0xDFBC; /*Load Add of register FNVAPR1L in FARL*/
FARH = 0x000E; /*Load Add of register FNVAPR1L in FARH*/
FDR0L = 0xFFFFE; /*Load Data in FDR0L for clearing PDS0*/
FCR0H|= 0x8000; /*Operation start*/
```

**Example 4:** Enable again in a permanent way Access and Debug Protection, after having disabled them.

```
FCR0H|= 0x0100; /*Set SPR in FCR0H*/
FARL = 0xDFBC; /*Load Add register FNVAPR1H in FARL*/
FARH = 0x000E; /*Load Add register FNVAPR1H in FARH*/
FDR0H = 0xFFFFE; /*Load Data in FDR0H for clearing PEN0*/
FCR0H|= 0x8000; /*Operation start*/
```

Disable and re-enable of Access and Debug Protection in a permanent way (as shown by examples 3 and 4) can be done for a maximum of 16 times.

## 4.7 Write operation summary

In general, each write operation is started through a sequence of 3 steps:

1. The first instruction is used to select the desired operation by setting its corresponding selection bit in the Flash Control Register 0. This instruction is also used to select in which Flash Module to apply the Write Operation (by setting/resetting bit SMOD).
2. The second step is the definition of the Address and Data for programming or the Sectors or Banks to erase.
3. The last instruction is used to start the write operation, by setting the start bit WMS in the FCR0.

Once selected, but not yet started, one operation can be canceled by resetting the operation selection bit.

A summary of the available Flash Module Write Operations are shown in the following [Table 28](#).

**Table 28. Flash write operations**

Operation	Select bit	Address and Data	Start bit
Word Program (32-bit)	WPG	FARL/FARH FDR0L/FDR0H	WMS
Double Word Program (64-bit)	DWPG	FARL/FARH FDR0L/FDR0H FDR1L/FDR1H	WMS
Sector Erase	SER	FCR1L/FCR1H	WMS
Set Protection	SPR	FDR0L/FDR0H	WMS
Program/Erase Suspend	SUSP	None	None

## 5 Bootstrap loader

The ST10F276Z5 features innovative boot capabilities in order to support:

- User defined bootstrap (see *Alternate bootstrap loader*)
- Bootstrap via UART or bootstrap via CAN for the standard bootstrap

### 5.1 Selection among user-code, standard or alternate bootstrap

The selection among user-code, standard bootstrap or alternate bootstrap is made by special combinations on Port0L[5...4] during the time the reset configuration is latched from Port0.

The alternate boot mode is triggered with a special combination set on Port0L[5...4]. Those signals, as other configuration signals, are latched on the rising edge of  $\overline{RSTIN}$  pin.

The alternate boot function is divided in two functional parts (which are independent from each other):

#### Part 1: Selection of reset sequence according to the Port0 configuration - User mode and alternate mode signatures

- Decoding of reset configuration (P0L.5 = 1, P0L.4 = 1) selects the normal mode and the user Flash to be mapped from address 00'0000h.
- Decoding of reset configuration (P0L.5 = 1, P0L.4 = 0) selects ST10 standard bootstrap mode (Test-Flash is active and overlaps user Flash for code fetches from address 00'0000h; user Flash is active and available for read and program).
- Decoding of reset configuration (P0L.5 = 0, P0L.4 = 1) activates new verifications to select which bootstrap software to execute:
  - If the user mode signature in the user Flash is programmed correctly, then a software reset sequence is selected and the user code is executed;
  - If the user mode signature is not programmed correctly but the alternate mode signature in the user Flash is programmed correctly, then the alternate boot mode is selected;
  - If both the user and the alternate mode signatures are not programmed correctly in the user Flash, then the user key location is read again. Its value will determine the behavior of the selected bootstrap loader.

#### Part 2: Running of user selected reset sequence

- Standard bootstrap loader: Jump to a predefined memory location in Test-Flash (controlled by ST)
- Alternate boot mode: Jump to address 09'0000h
- Selective bootstrap loader: Jump to a predefined location in Test-Flash (controlled by ST) and check which communication channel is selected
- User code: Make a software reset and jump to 00'0000h

**Table 29. ST10F276Z5 boot mode selection**

P0.5	P0.4	ST10 decoding
1	1	User mode: User Flash mapped at 00'0000h
1	0	Standard bootstrap loader: User Flash mapped from 00'0000h; code fetches redirected to Test-Flash at 00'0000h
0	1	Alternate boot mode: Flash mapping depends on signatures integrity check
0	0	Reserved

## 5.2 Standard bootstrap loader

The built-in bootstrap loader of the ST10F276Z5 provides a mechanism to load the startup program, which is executed after reset, via the serial interface. In this case no external (ROM) memory or an internal ROM is required for the initialization code starting at location 00'0000<sub>H</sub>. The bootstrap loader moves code/data into the IRAM but it is also possible to transfer data via the serial interface into an external RAM using a second level loader routine. ROM memory (internal or external) is not necessary. However, it may be used to provide lookup tables or may provide “core-code”, that is, a set of general purpose subroutines, such as for I/O operations, number crunching or system initialization.

The Bootstrap Loader can load

- The complete application software into ROMless systems,
- Temporary software into complete systems for testing or calibration,
- A programming routine for Flash devices.

The BSL mechanism may be used for standard system start-up as well as for only special occasions like system maintenance (firmware update) or end-of-line programming or testing.

### 5.2.1 Entering the standard bootstrap loader

As with the old ST10 bootstrap mode, the ST10F276Z5 enters BSL mode if pin P0L.4 is sampled low at the end of a hardware reset. In this case, the built-in bootstrap loader is activated independently of the selected bus mode. The bootstrap loader code is stored in a special Test-Flash; no part of the standard Flash memory area is required for this.

After entering BSL mode and the respective initialization, the ST10F276Z5 scans the RxD0 line and the CAN1\_RxD line to receive either a valid dominant bit from the CAN interface or a start condition from the UART line.

#### Start condition on UART RxD

The ST10F276Z5 starts the standard bootstrap loader. This bootstrap loader is identical to other ST10 devices (Examples: ST10F269, ST10F168). See paragraph 5.3 for details.



### Valid dominant bit on CAN1 RxD

The ST10F276Z5 starts bootstrapping via CAN1; the bootstrapping method is new and is described in the next paragraph 5.4. [Figure 5](#) shows the program flow of the new bootstrap loader. It clearly illustrates how the new functionalities are implemented:

- UART: UART has priority over CAN after a falling edge on CAN1\_RxD until the first valid rising edge on CAN1\_RxD;
- CAN: Pulses on CAN1\_RxD shorter than 20\*CPU-cycles are filtered.

## 5.2.2 ST10 configuration in BSL

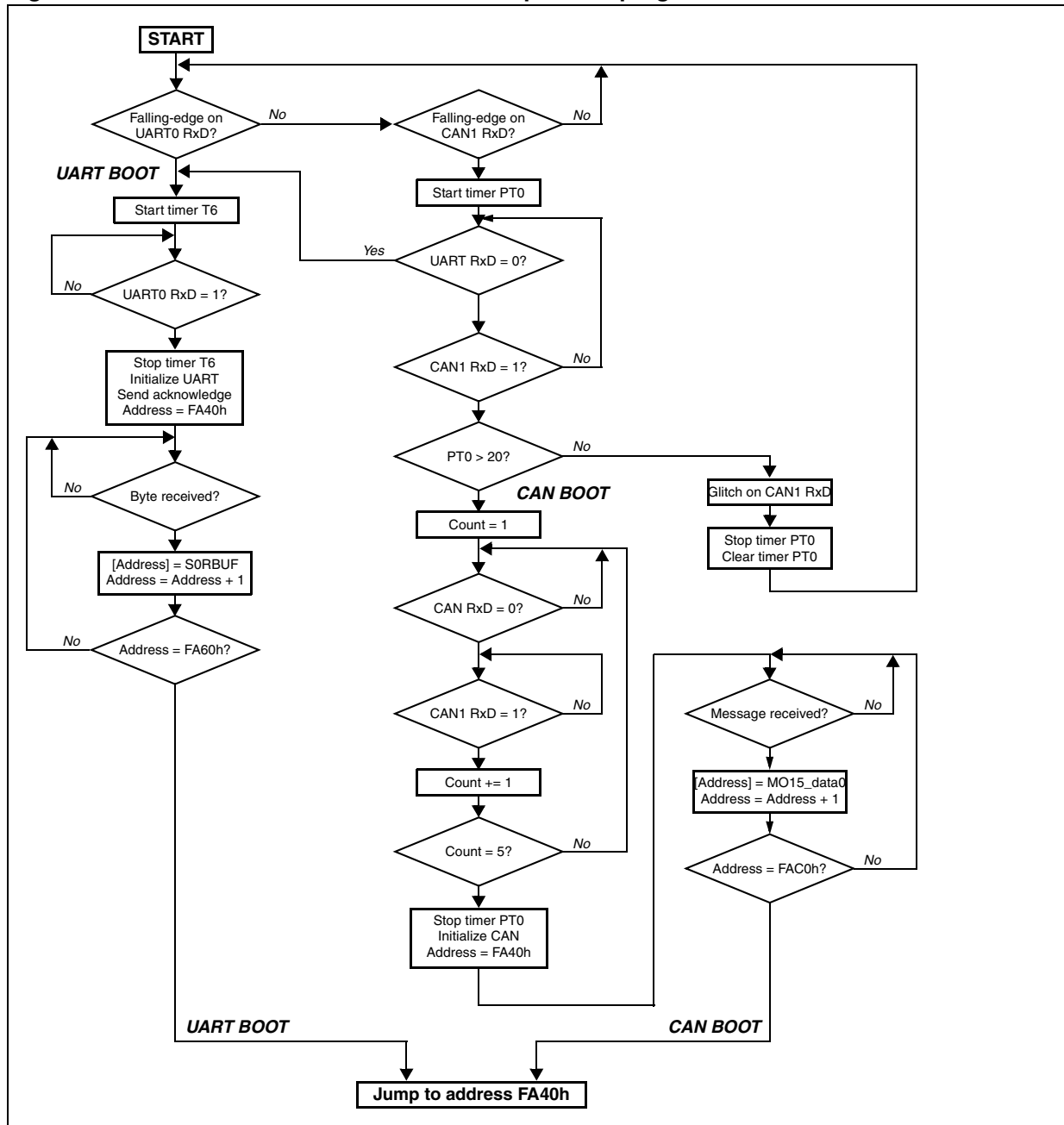
When the ST10F276Z5 has entered BSL mode, the configuration shown in [Table 30](#) is automatically set (values that deviate from the normal reset values are marked in **bold**).

**Table 30. ST10 configuration in BSL mode**

Function or register	Access	Notes
Watchdog Timer	Disabled	
Register SYSCON	<b>0404<sub>H</sub></b> <sup>(1)</sup>	XPEN bit set for Bootstrap via CAN or Alternate Boot mode
Context Pointer CP	FA00 <sub>H</sub>	
Register STKUN	FC00 <sub>H</sub>	
Stack Pointer SP	FA40 <sub>H</sub>	
Register STKOV	FA00 <sub>H</sub>	
Register BUSCON0	access to startup configuration <sup>(2)</sup>	
Register S0CON	8011 <sub>H</sub>	Initialized only if Bootstrap via UART
Register S0BG	access to '00' byte	Initialized only if Bootstrap via UART
P3.10 / TXD0	'1'	Initialized only if Bootstrap via UART
DP3.10	'1'	Initialized only if Bootstrap via UART
CAN1 Status/Control Register	0000 <sub>H</sub>	Initialized only if Bootstrap via CAN
CAN1 Bit Timing Register	access to '0' frame	Initialized only if Bootstrap via CAN
XPERCON	042D <sub>H</sub>	XRAM1-2, XFlash, CAN1 and XMISC enabled. Initialized only if Bootstrap via CAN
P4.6 / CAN1_TxD	'1'	Initialized only if Bootstrap via CAN
DP4.6	'1'	Initialized only if Bootstrap via CAN

1. In Bootstrap modes (standard or alternate) ROMEN, bit 10 of SYSCON, is always set regardless of  $\overline{EA}$  pin level. BYTDIS, bit 9 of SYSCON, is set according to data bus width selection via Port0 configuration.
2. BUSCON0 is initialized with 0000h, external bus disabled, if pin  $\overline{EA}$  is high during reset. If pin  $\overline{EA}$  is low during reset, BUSACT0, bit 10, and ALECTL0, bit 9, are set enabling the external bus with lengthened ALE signal. BTYP field, bit 7 and 6, is set according to Port0 configuration.

Figure 5. ST10F276Z5 new standard bootstrap loader program flow



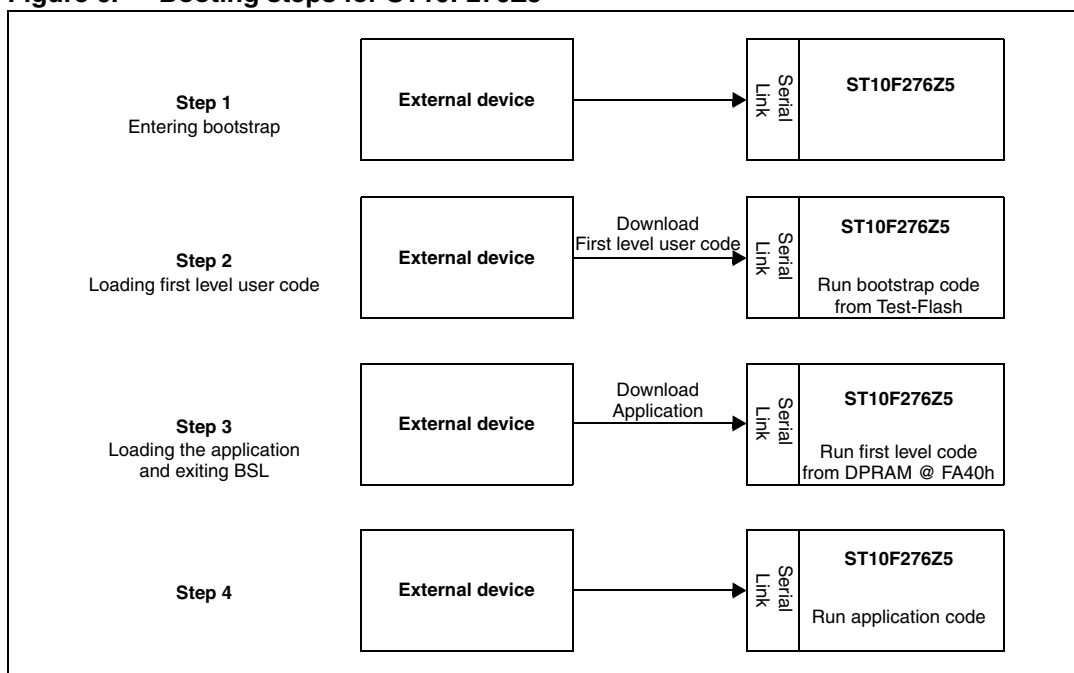
Other than after a normal reset the watchdog timer is disabled, so the bootstrap loading sequence is not time limited. Depending on the selected serial link (UART0 or CAN1), pin TxD0 or CAN1\_TxD is configured as output, so the ST10F276Z5 can return the acknowledge byte. Even if the internal IFLASH is enabled, a code cannot be executed from it.

### 5.2.3 Booting steps

As *Figure 6* shows, booting the device with the boot loader code occurs in a minimum of four steps:

1. The device is reset with P0L.4 low.
2. The internal new bootstrap code runs on the ST10 and a first level user code is downloaded from the external device, via the selected serial link (UART0 or CAN1). The bootstrap code is contained in the device Test-Flash and is automatically run when the device is reset with P0L.4 low. After loading a preselected number of bytes, the ST10F276Z5 begins executing the downloaded program.
3. The first level user code runs on the ST10F276Z5. Typically, this first level user code is another loader that downloads the application software into the device.
4. The loaded application software is now running.

**Figure 6. Booting steps for ST10F276Z5**

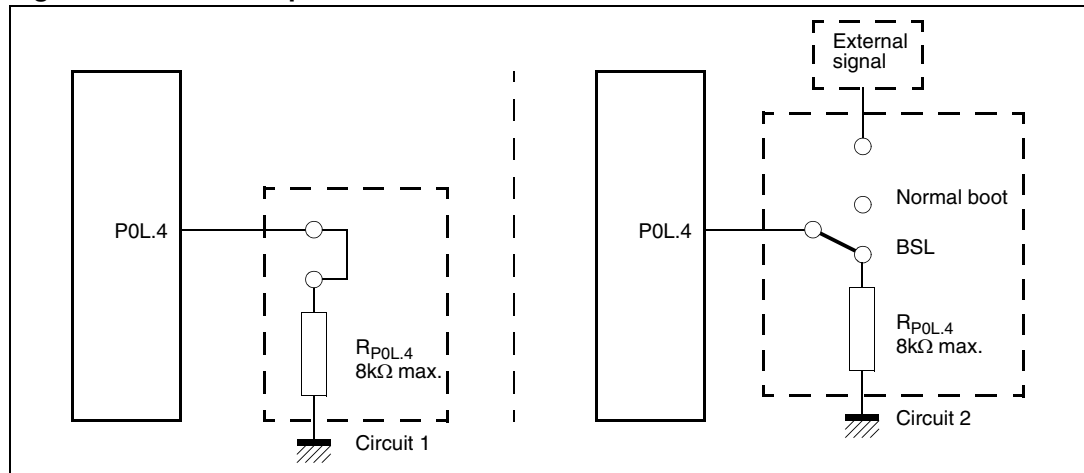


### 5.2.4 Hardware to activate BSL

The hardware that activates the BSL during reset may be a simple pull-down resistor on P0L.4 for systems that use this feature at every hardware reset. For systems that use the bootstrap loader only temporarily, it may be preferable to use a switchable solution (via jumper or an external signal).

*Note:* CAN alternate function on Port4 lines is not activated if the user has selected eight address segments (Port4 pins have three functions: I/O port, address segment and CAN). Boot via CAN requires that four or less address segments are selected.

Figure 7. Hardware provisions to activate the BSL



### 5.2.5 Memory configuration in bootstrap loader mode

The configuration (that is, the accessibility) of the device memory areas after reset in Bootstrap Loader mode differs from the standard case. Pin  $\overline{EA}$  is evaluated when BSL mode is selected to enable or to not enable the external bus:

- If  $\overline{EA} = 1$ , the external bus is disabled (BUSACT0 = 0 in BUSCON0 register);
- If  $\overline{EA} = 0$ , the external bus is enabled (BUSACT0 = 1 in BUSCON0 register).

Moreover, while in BSL mode, accesses to the internal IFLASH area are partially redirected:

- All code accesses are made from the special Test-Flash seen in the range 00'0000h to 00'01FFFh;
- User IFLASH is only available for read and write accesses (Test-Flash cannot be read or written);
- Write accesses must be made with addresses starting in segment 1 from 01'0000h, regardless of the value of ROMS1 bit in SYSCON register;
- Read accesses are made in segment 0 or in segment 1 depending on the ROMS1 value;
- In BSL mode, by default, ROMS1 = 0, so the first 32 Kbytes of IFlash are mapped in segment 0.

#### Example

In default configuration, to program address 0, the user must put the value 01'0000h in the FARL and FARH registers but to verify the content of the address 0 a read to 00'0000h must be performed.

Figure 8. Memory configuration after reset

	16 Mbytes	16 Mbytes	16 Mbytes
BSL mode active	Yes (POL.4 = '0')	Yes (POL.4 = '0')	No (POL.4 = '1')
$\overline{EA}$ pin	High	Low	According to application
Code fetch from internal FLASH area	Test-FLASH access	Test-FLASH access	User IFLASH access
Data fetch from internal FLASH area	User IFLASH access	User IFLASH access	User IFLASH access

1. As long as the device is in BSL, the user's software should not try to execute code from the internal IFlash, as the fetches are redirected to the Test-Flash.

### 5.2.6 Loading the start-up code

After the serial link initialization sequence (see following chapters), the BSL enters a loop to receive 32 bytes (boot via UART) or 128 bytes (boot via CAN).

These bytes are stored sequentially into the device Dual-Port RAM from location 00'FA40h.

To execute the loaded code, the BSL then jumps to location 00'FA40h. The bootstrap sequence running from the Test-Flash is now terminated; however, the microcontroller remains in BSL mode.

Most probably, the initially loaded routine, being the first level user code, will load additional code and data. This first level user code may use the pre-initialized interface (UART or CAN) to receive data and a second level of code, and store it in arbitrary user-defined locations.

This second level of code may be

- The final application code
- Another, more sophisticated, loader routine that adds a transmission protocol to enhance the integrity of the loaded code or data
- A code sequence to change the system configuration and enable the bus interface to store the received data into external memory

In all cases, the device still runs in BSL mode, that is, with the watchdog timer disabled and limited access to the internal IFLASH area.

### 5.2.7 Exiting bootstrap loader mode

To execute a program in normal mode, the BSL mode must first be terminated. The device exits BSL mode at a software reset (level on P0L.4 is ignored) or a hardware reset (P0L.4 must be high in this case). After the reset, the device starts executing from location  $00'0000_H$  of the internal Flash (User Flash) or the external memory, as programmed via pin  $\overline{EA}$ .

*Note:* If a bidirectional Software Reset is executed and external memory boot is selected ( $\overline{EA} = 0$ ), a degeneration of the Software Reset event into a Hardware Reset can occur (refer to section for details). This implies that P0L.4 becomes transparent, so to exit from Bootstrap mode it would be necessary to release pin P0L.4 (it is no longer ignored).

### 5.2.8 Hardware requirements

Although the new bootstrap loader is designed to be compatible with the old bootstrap loader, there are a few hardware requirements relative to the new bootstrap loader:

- External Bus configuration: Must have four or less segment address lines (keep CAN I/Os available);
- Usage of CAN pins (P4.5 and P4.6): Even in bootstrap via UART, P4.5 (CAN1\_RxD) can be used as Port input but not as output. The pin P4.6 (CAN1\_TxD) can be used as input or output.
- Level on UART RxD and CAN1\_RxD during the bootstrap phase (see [Figure 6](#) - Step 2): Must be 1 (external pull-ups recommended).

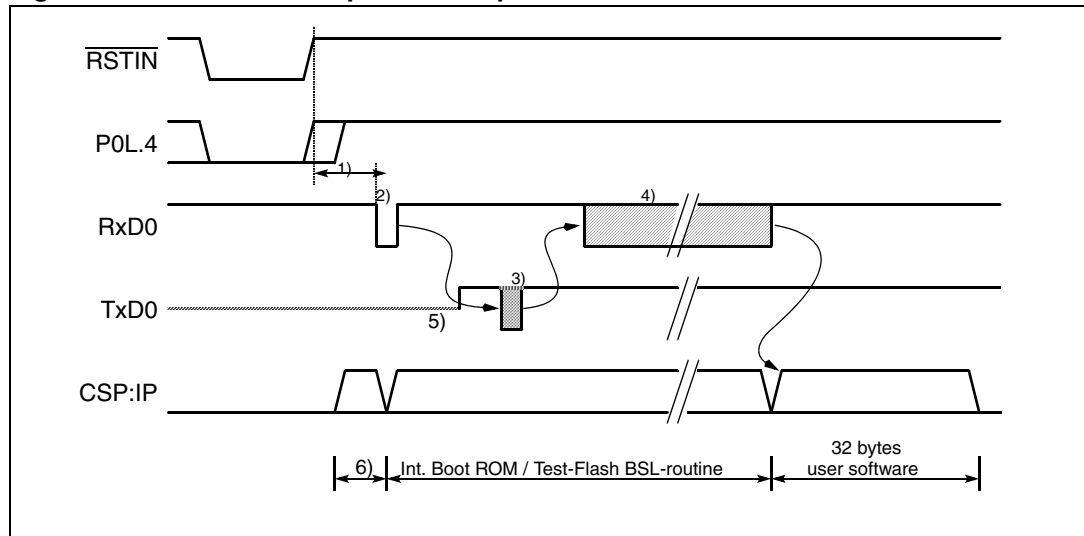
## 5.3 Standard bootstrap with UART (RS232 or K-Line)

### 5.3.1 Features

The device bootstrap via UART has the same overall behavior as the old ST10 bootstrap via UART:

- Same bootstrapping steps;
- Same bootstrap method: Analyze the timing of a predefined byte, send back an acknowledge byte, load a fixed number of bytes and run;
- Same functionalities: Boot with different crystals and PLL ratios.

Figure 9. UART bootstrap loader sequence



1. BSL initialization time, > 1ms @ fCPU = 40 MHz.
2. Zero byte (1 start bit, eight '0' data bits, 1 stop bit), sent by host.
3. Acknowledge byte, sent by the ST10F276Z5.
4. 32 bytes of code / data, sent by host.
5. Caution: TxD0 is only driven a certain time after reception of the zero byte (1.3ms @ fCPU = 40 MHz).
6. Internal Boot ROM / Test-Flash.

### 5.3.2 Entering bootstrap via UART

The device enters BSL mode if pin P0L.4 is sampled low at the end of a hardware reset. In this case, the built-in bootstrap loader is activated independently of the selected bus mode. The bootstrap loader code is stored in a special Test-Flash; no part of the standard mask ROM or Flash memory area is required for this.

After entering BSL mode and the respective initialization, the device scans the RxD0 line to receive a zero byte, that is, 1 start bit, eight '0' data bits and 1 stop bit. From the duration of this zero byte, it calculates the corresponding baud rate factor with respect to the current CPU clock, initializes the serial interface ASC0 accordingly and switches pin TxD0 to output. Using this baud rate, an acknowledge byte is returned to the host that provides the loaded data.

The acknowledge byte is **D5h** for the ST10F276Z5.

### 5.3.3 ST10 Configuration in UART BSL (RS232 or K-Line)

When the ST10F276Z5 enters BSL mode on UART, the configuration shown in [Table 31](#) is automatically set (values that deviate from the normal reset values are marked in **bold**).

**Table 31. ST10 configuration in UART BSL mode (RS232 or K-line)**

Function or register	Access	Notes
Watchdog timer	Disabled	
Register SYSCON	<b>0400<sub>H</sub></b> <sup>(1)</sup>	
Context Pointer CP	FA00 <sub>H</sub>	
Register STKUN	FA00 <sub>H</sub>	
Stack Pointer SP	FA40 <sub>H</sub>	
Register STKOV	FC00 <sub>H</sub>	
Register BUSCON0	access to startup configuration <sup>(2)</sup>	
Register S0CON	8011 <sub>H</sub>	Initialized only if Bootstrap via UART
Register S0BG	access to '00' byte	Initialized only if Bootstrap via UART
P3.10 / TXD0	'1'	Initialized only if Bootstrap via UART
DP3.10	'1'	Initialized only if Bootstrap via UART

1. In Bootstrap modes (standard or alternate) ROMEN, bit 10 of SYSCON, is always set regardless of  $\overline{EA}$  pin level. BYTDIS, bit 9 of SYSCON, is set according to data bus width selection via Port0 configuration.
2. BUSCON0 is initialized with 0000h, external bus disabled, if pin  $\overline{EA}$  is high during reset. If pin  $\overline{EA}$  is low during reset, BUSACT0, bit 10, and ALECTL0, bit 9, are set enabling the external bus with lengthened ALE signal. BTYP field, bit 7 and 6, is set according to Port0 configuration.

Other than after a normal reset, the watchdog timer is disabled, so the bootstrap loading sequence is not time limited. Pin TxD0 is configured as output, so the ST10F276Z5 can return the acknowledge byte. Even if the internal IFLASH is enabled, a code cannot be executed from it.

### 5.3.4 Loading the start-up code

After sending the acknowledge byte, the BSL enters a loop to receive 32 bytes via ASC0. These bytes are stored sequentially into locations 00'FA40<sub>H</sub> through 00'FA5F<sub>H</sub> of the IRAM, allowing up to 16 instructions to be placed into the RAM area. To execute the loaded code the BSL then jumps to location 00'FA40<sub>H</sub>, that is, the first loaded instruction. The bootstrap loading sequence is now terminated; however, the device remains in BSL mode. The initially loaded routine will most probably load additional code or data, as an average application is likely to require substantially more than 16 instructions. This second receive loop may directly use the pre-initialized interface ASC0 to receive data and store it in arbitrary user-defined locations.

This second level of loaded code may be

- the final application code
- another, more sophisticated, loader routine that adds a transmission protocol to enhance the integrity of the loaded code or data
- a code sequence to change the system configuration and enable the bus interface to store the received data into external memory



This process may go through several iterations or may directly execute the final application. In all cases the device still runs in BSL mode, that is, with the watchdog timer disabled and limited access to the internal Flash area. All code fetches from the internal IFLASH area (01'0000<sub>H</sub>...08'FFFF<sub>H</sub>) are redirected to the special Test-Flash. Data read operations access the internal Flash of the device.

### 5.3.5 Choosing the baud rate for the BSL via UART

The calculation of the serial baud rate for ASC0 from the length of the first zero byte that is received allows the operation of the bootstrap loader of the device with a wide range of baud rates. However, the upper and lower limits must be kept to ensure proper data transfer.

$$B_{ST10F276} = \frac{f_{CPU}}{32 \cdot (S0BRL + 1)}$$

The device uses timer T6 to measure the length of the initial zero byte. The quantization uncertainty of this measurement implies the first deviation from the real baud rate; the next deviation is implied by the computation of the S0BRL reload value from the timer contents. The formula below shows the association:

$$S0BRL = \frac{T6 - 36}{72}, \quad T6 = \frac{9}{4} \cdot \frac{f_{CPU}}{B_{Host}}$$

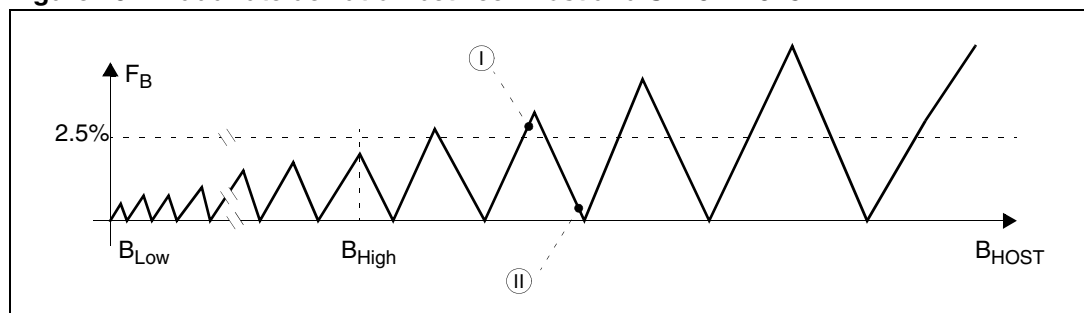
For a correct data transfer from the host to the device, the maximum deviation between the internal initialized baud rate for ASC0 and the real baud rate of the host should be below 2.5%. The deviation ( $F_B$ , in percent) between host baud rate and device baud rate can be calculated using the formula below:

$$F_B = \left| \frac{B_{Contr} - B_{Host}}{B_{Contr}} \right| \cdot 100\%, \quad F_B \leq 2.5\%$$

*Note:* Function ( $F_B$ ) does not consider the tolerances of oscillators and other devices supporting the serial communication.

This baud rate deviation is a nonlinear function depending on the CPU clock and the baud rate of the host. The maxima of the function ( $F_B$ ) increases with the host baud rate due to the smaller baud rate prescaler factors and the implied higher quantization error (see [Figure 10](#)).

**Figure 10. Baud rate deviation between host and ST10F276Z5**



The minimum baud rate ( $B_{Low}$  in [Figure 10](#)) is determined by the maximum count capacity of timer T6, when measuring the zero byte, that is, it depends on the CPU clock. Using the maximum T6 count  $2^{16}$  in the formula the minimum baud rate is calculated. The lowest

standard baud rate in this case would be 1200 baud. Baud rates below  $B_{Low}$  would cause T6 to overflow. In this case, ASC0 cannot be initialized properly.

**The maximum baud rate** ( $B_{High}$  in *Figure 10*) is the highest baud rate where the deviation still does not exceed the limit, that is, all baud rates between  $B_{Low}$  and  $B_{High}$  are below the deviation limit. The maximum standard baud rate that fulfills this requirement is 19200 baud.

**Higher baud rates**, however, may be used as long as the actual deviation does not exceed the limit. A certain baud rate (marked “I” in *Figure 10*) may, for example, violate the deviation limit, while an even higher baud rate (marked “II” in *Figure 10*) stays well below it. This depends on the host interface.

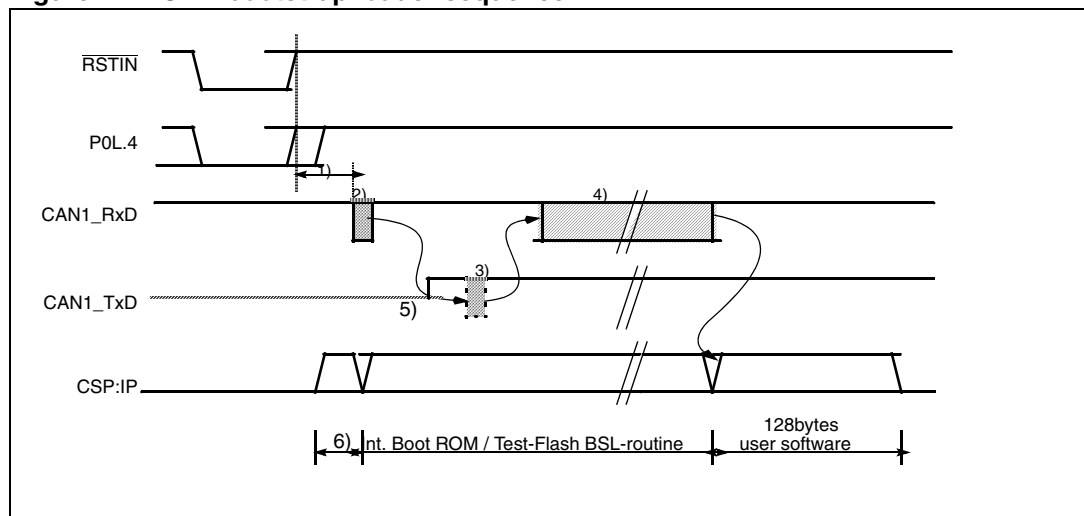
## 5.4 Standard bootstrap with CAN

### 5.4.1 Features

The bootstrap via CAN has the same overall behavior as the bootstrap via UART:

- Same bootstrapping steps;
- Same bootstrap method: Analyze the timing of a predefined frame, send back an acknowledge frame **BUT only on request**, load a fixed number of bytes and run;
- Same functionalities: Boot with different crystals and PLL ratios.

**Figure 11. CAN bootstrap loader sequence**



1. BSL initialization time, > 1ms @ fCPU = 40 MHz.
2. Zero frame (CAN message: standard ID = 0, DLC = 0), sent by host.
3. CAN message (standard ID = E6h, DLC = 3, Data0 = D5h, Data1-Data2 = IDCHIP\_low-high), sent by the ST10F276Z5 on request.
4. 128 bytes of code / data, sent by host.
5. Caution: CAN1\_TxD is only driven a certain time after reception of the zero byte (1.3ms @ fCPU = 40 MHz).
6. Internal Boot ROM / Test-Flash.

The Bootstrap Loader can load

- the complete application software into ROM-less systems,
- temporary software into complete systems for testing or calibration,
- a programming routine for Flash devices.

The BSL mechanism may be used for standard system start-up as well as for only special occasions like system maintenance (firmware update) or end-of-line programming or testing.

### 5.4.2 Entering the CAN bootstrap loader

The ST10F276Z5 enters BSL mode if pin P0L4 is sampled low at the end of a hardware reset. In this case, the built-in bootstrap loader is activated independently of the selected bus mode. The bootstrap loader code is stored in a special Test-Flash; no part of the standard mask ROM or Flash memory area is required for this.

After entering BSL mode and the respective initialization, the device scans the CAN1\_TxD line to receive the following initialization frame:

- Standard identifier = 0h
- DLC = 0h

As all the bits to be transmitted are dominant bits, a succession of 5 dominant bits and 1 stuff bit on the CAN network is used. From the duration of this frame, it calculates the corresponding baud rate factor with respect to the current CPU clock, initializes the CAN1 interface accordingly, switches pin CAN1\_TxD to output and enables the CAN1 interface to take part in the network communication. Using this baud rate, a Message Object is configured in order to send an acknowledge frame. The device does not send this Message Object but the host can request it by sending a remote frame.

The acknowledge frame is the following for the ST10F276Z5:

- Standard identifier = E6h
- DLC = 3h
- Data0 = D5h, that is, generic acknowledge of the ST10 devices
- Data1 = IDCHIP least significant byte
- Data2 = IDCHIP most significant byte

For the ST10F276Z5, IDCHIP is set to 114Xh.

*Note:* Two behaviors can be distinguished in ST10 acknowledging to the host. If the host is behaving according to the CAN protocol, as at the beginning the ST10 CAN is not configured, the host is alone on the CAN network and does not receive an acknowledge. It automatically sends again the zero frame. As soon as the ST10 CAN is configured, it acknowledges the zero frame. The "acknowledge frame" with identifier 0xE6 is configured, but the Transmit Request is not set. The host can request this frame to be sent and therefore obtains the IDCHIP by sending a remote frame.

**Hint:** As the IDCHIP is sent in the acknowledge frame, Flash programming software now can immediately identify the exact type of device to be programmed.

### 5.4.3 ST10 configuration in CAN BSL

When the ST10F276Z5 enters BSL mode via CAN, the configuration shown in [Table 32](#) is automatically set (values that deviate from the normal reset values are marked in **bold**).

**Table 32. ST10 configuration in CAN BSL**

Function or register	Access	Notes
Watchdog timer	Disabled	
Register SYSCON	0404 <sub>H</sub> <sup>(1)</sup>	XPEN bit set
Context pointer CP	FA00 <sub>H</sub>	
Register STKUN	FA00 <sub>H</sub>	
Stack pointer SP	FA40 <sub>H</sub>	
Register STKOV	FC00 <sub>H</sub>	
Register BUSCON0	access to startup configuration <sup>(2)</sup>	
CAN1 Status/Control register	0000 <sub>H</sub>	Initialized only if Bootstrap via CAN
CAN1 Bit timing register	access to '0' frame	Initialized only if Bootstrap via CAN
XPERCON	042D <sub>H</sub>	XRAM1-2, XFlash, CAN1 and XMISC enabled
P4.6 / CAN1_TxD	'1'	Initialized only if Bootstrap via CAN
DP4.6	'1'	Initialized only if Bootstrap via CAN

1. In Bootstrap modes (standard or alternate) ROMEN, bit 10 of SYSCON, is always set regardless of  $\overline{EA}$  pin level. BYTDIS, bit 9 of SYSCON, is set according to data bus width selection via Port0 configuration.
2. BUSCON0 is initialized with 0000h, external bus disabled, if pin  $\overline{EA}$  is high during reset. If pin  $\overline{EA}$  is low during reset, BUSACT0, bit 10, and ALECTL0, bit 9, are set enabling the external bus with lengthened ALE signal. BTYP field, bit 7 and 6, is set according to Port0 configuration.

Other than after a normal reset, the watchdog timer is disabled, so the bootstrap loading sequence is not time limited. Pin CAN1\_TxD1 is configured as output, so the ST10F276Z5 can return the identification frame. Even if the internal IFLASH is enabled, a code cannot be executed from it.

### 5.4.4 Loading the start-up code via CAN

After sending the acknowledge byte, the BSL enters a loop to receive 128 bytes via CAN1.

**Hint:** The number of bytes loaded when booting via the CAN interface has been extended to 128 bytes to allow the reconfiguration of the CAN Bit Timing Register with the best timings (synchronization window, ...). This can be achieved by the following sequence of instructions:

```
ReconfigureBaud rate:
MOV R1, #041h
MOV DPP3:0EF00h, R1; Put CAN in Init, enable Configuration Change
MOV R1, #01600h
MOV DPP3:0EF06h, R1; 1MBaud at Fcpu = 20 MHz
```

These 128 bytes are stored sequentially into locations 00'FA40<sub>H</sub> through 00'FABF<sub>H</sub> of the IRAM, allowing up to 64 instructions to be placed into the RAM area. To execute the loaded code the BSL then jumps to location 00'FA40<sub>H</sub>, that is, the first loaded instruction. The bootstrap loading sequence is now terminated; however, the ST10F276Z5 remains in BSL

mode. Most probably the initially loaded routine will load additional code or data, as an average application is likely to require substantially more than 64 instructions. This second receive loop may directly use the pre-initialized CAN interface to receive data and store it in arbitrary user-defined locations.

This second level of loaded code may be

- the final application code
- another, more sophisticated, loader routine that adds a transmission protocol to enhance the integrity of the loaded code or data
- a code sequence to change the system configuration and enable the bus interface to store the received data into external memory

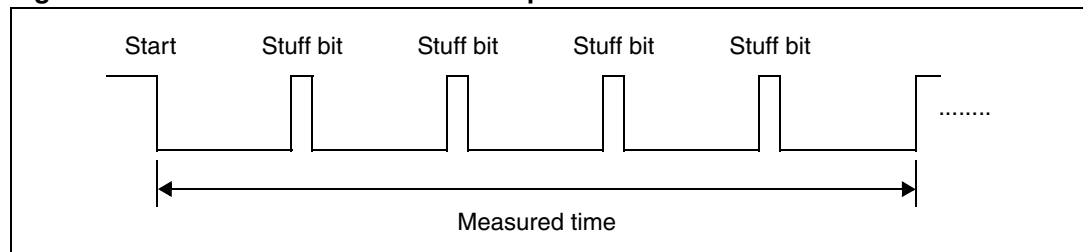
This process may go through several iterations or may directly execute the final application. In all cases the ST10F276Z5 still runs in BSL mode, that is, with the watchdog timer disabled and limited access to the internal Flash area. All code fetches from the internal Flash area (01'0000<sub>H</sub> ...08'FFFF<sub>H</sub>) are redirected to the special Test-Flash. Data read operations will access the internal Flash of the ST10F276Z5.

#### 5.4.5 Choosing the baud rate for the BSL via CAN

The Bootstrap via CAN acts the same way as in the UART bootstrap mode. When the ST10F276Z5 is started in BSL mode, it polls the RxD0 and CAN1\_RxD lines. When polling a low level on one of these lines, a timer is launched that is stopped when the line returns to high level.

For CAN communication, the algorithm is made to receive a zero frame, that is, the standard identifier is 0x0, DLC is 0. This frame produces the following levels on the network: 5D, 1R, 5D, 1R, 5D, 1R, 5D, 1R, 5D, 1R, 4D, 1R, 1D, 11R. The algorithm lets the timer run until the detection of the 5<sup>th</sup> recessive bit. This way the bit timing is calculated over the duration of 29 bit times: This minimizes the error introduced by the polling.

**Figure 12. Bit rate measurement over a predefined zero-frame**



**Error induced by the polling**

The code used for the polling is the following:

```

WaitCom:
    JNB P4.5,CAN_Boot      ; if SOF detected on CAN, then go to
CAN
                                ; loader
    JB P3.11,WaitCom      ; Wait for start bit at RxD0
    BSET T6R              ; Start Timer T6
    ....
CAN_Boot:
    BSET PWMCON.0        ; Start PWM Timer0
                                ; (resolution is 1 CPU clk cycle)
    JMPR cc_UC,WaitRecessiveBit
WaitDominantBit:
    JB P4.5,WaitDominantBit; wait for end of stuff bit
WaitRecessiveBit:
    JNB P4.5,WaitRecessiveBit; wait for 1st dominant bit = Stuff
bit
    CMPI1R1,#5          ; Test if 5th stuff bit detected
    JMPR cc_NE,WaitDominantBit; No, go back to count more
    BCLR PWMCON.0      ; Stop timer
                                ; here the 5th stuff bit is detected:
                                ; PT0 = 29 Bit_Time (25D and 4R)

```

Therefore the maximum error at the detection of the communication on CAN pin is:

$$(1 \text{ not taken} + 1 \text{ taken jumps}) + 1 \text{ taken jump} + 1 \text{ bit set: } (6) + 6 \text{ CPU clock cycles}$$

The error at the detection for the 5<sup>th</sup> recessive bit is:

$$(1 \text{ taken jump}) + 1 \text{ not taken jump} + 1 \text{ compare} + 1 \text{ bit clear: } (4) + 6 \text{ CPU cycles}$$

In the worst case, the induced error is 6 CPU clock cycles, so the polling could induce an error of 6 timer ticks.

**Error induced by the baud rate calculation**

The content of the timer PT0 counter corresponds to 29 bit times, resulting in the following equation:

$$PT0 = 58 \times (BRP + 1) \times (1 + Tseg1 + Tseg2)$$

where BRP, Tseg1 and Tseg2 are the field of the CAN Bit Timing register.

The CAN protocol specification recommends to implement a bit time composed of at least 8 time quanta (tq). This recommendation is applied here. Moreover, the maximum bit time length is 25 tq. To ensure precision, the aim is to have the smallest Bit Rate Prescaler (BRP) and the maximum number of tq in a bit time.

This gives the following ranges for PT0 according to BRP:

$$8 \leq 1 + Tseg1 + Tseg2 \leq 25$$

$$464 \times (1 + BRP) \leq PT0 \leq 1450 \times (1 + BRP)$$

Table 33. BRP and PT0 values

BRP	PT0_min	PT0_max	Comments
0	464	1450	
1	1451	2900	
2	2901	4350	
3	4351	5800	
4	5801	7250	
5	7251	8700	
..	..	..	
43	20416	63800	
44	20880	65250	
45	21344	66700	Possible timer overflow
..	..	..	
63	X	X	

The error coming from the measurement of the 29 bit is:

$$e_1 = 6 / [PT0]$$

It is maximal for the smallest BRP value and the smallest number of ticks in PT0. Therefore:

$$e_{1 \text{ Max}} = 1.29\%$$

To improve precision, the aim is to have the smallest BRP so that the time quantum is the smallest possible. Thus, an error on the calculation of time quanta in a bit time is minimal.

In order to do so, the value of PT0 is divided into ranges of 1450 ticks. In the algorithm, PT0 is divided by 1451 and the result is BRP.

The calculated BRP value is then used to divide PT0 in order to have the value of  $(1 + Tseg1 + Tseg2)$ . A table is made to set the values for  $Tseg1$  and  $Tseg2$  according to the value of  $(1 + Tseg1 + Tseg2)$ . These values of  $Tseg1$  and  $Tseg2$  are chosen in order to reach a sample point between 70% and 80% of the bit time.

During the calculation of  $(1 + Tseg1 + Tseg2)$ , an error  $e_2$  can be introduced by the division. This error is of 1 time quantum maximum.

To compensate for any possible error on bit rate, the (Re)Synchronization Jump Width is fixed to 2 time quanta.

### 5.4.6 Computing the baud rate error

Considering the following conditions, a computation of the error is given as an example.

- CPU frequency: 20 MHz
- Target Bit Rate: 1 Mbit/s

In these conditions, the content of PT0 timer for 29 bits should be:

$$[PT0] = \frac{29 \times F_{cpu}}{\text{BitRate}} = \frac{29 \times 20 \times 6}{1 \times 10^6} = 580$$

Therefore:

$$574 < [PT0] < 586$$

This gives:

$$\begin{aligned} \text{BRP} &= 0 \\ \text{tq} &= 100 \text{ ns} \end{aligned}$$

Computation of  $1 + T_{seg1} + T_{seg2}$ : Considering the equation:

$$[PT0] = 58 \times (1 + \text{BRP}) \times (1 + T_{seg1} + T_{seg2})$$

Thus:

$$9 = \frac{574}{58} \leq T_{seg1} + T_{seg2} \leq \frac{586}{58} = 10$$

In the algorithm, a rounding up to the superior value is made if the remainder of the division is greater than half of the divisor. This would have been the case if the PT0 content was 574. Thus, in this example the result is  $1 + T_{seg1} + T_{seg2} = 10$ , giving a bit time of exactly 1  $\mu$ s => no error in bit rate.

*Note: In most cases (24 MHz, 32 MHz, 40 MHz of CPU frequency and 125, 250, 500 or 1Mb/s of bit rate), there is no error. Nevertheless, it is better to check for an error with the real application parameters.*

The content of the bit timing register is: 0x1640. This gives a sample point at 80%.

*Note: The (Re)Synchronization Jump Width is fixed to 2 time quanta.*

### 5.4.7 Bootstrap via CAN

After the bootstrap phase, the ST10F276Z5 CAN module is configured as follows:

- The pin P4.6 is configured as output (the latch value is '1' = recessive) to assume CAN1\_TxD function.
- The MO2 is configured to output the acknowledge of the bootstrap with the standard identifier E6h, a DLC of 3 and Data0 = D5h, Data1 and 2 = IDCHIP.
- The MO1 is configured to receive messages with the standard identifier 5h. Its acceptance mask is set to ensure that all bits match. The DLC received is not checked: The ST10 expects only 1 byte of data at a time.

No other message is sent by the ST10F276Z5 after the acknowledge.

*Note: The CAN boot waits for 128 bytes of data instead of 32 bytes (see UART boot). This is done to allow the User to reconfigure the CAN bit rate as soon as possible.*



## 5.5 Comparing the old and the new bootstrap loader

The following tables summarizes the differences between the old ST10 (boot via UART only) bootstrap and the new one (boot via UART or CAN).

**Table 34. Software topics summary**

Old bootstrap loader	New bootstrap loader	Comments
Uses only 32 bytes in Dual-Port RAM from 00'FA40h	Uses up to 128 bytes in Dual-Port RAM from 00'FA40h	For compatibility between boot via UART and boot via CAN1, please avoid loading the application software in the 00'FA60h/00'FABFh range.
Loads 32 bytes from UART	Loads 32 bytes from UART (boot via UART mode)	Same files can be used for boot via UART.
User selected Xperipherals can be enabled during boot (Step 3 or Step 4).	Xperipherals selection is fixed.	User can change the Xperipherals selections through a specific code.

### 5.5.1 Software aspects

As the CAN1 is needed, XPERCON register is configured by the bootstrap loader code and bit XPEN of SYSCON is set. However, as long as the EINIT instruction is not executed (and it is not in the bootstrap loader code), the settings can be modified. To do this, perform the following steps:

- Disable the XPeripherals by clearing XPEN in SYSCON register. Attention: If this part of the code is located in XRAM, it will be disabled.
- Enable the needed XPeripherals by writing the correct value in XPERCON register.
- Set XPEN bit in SYSCON.

### 5.5.2 Hardware aspects

Although the new bootstrap loader is designed to be compatible with the old bootstrap loader, there are a few hardware requirements for the new bootstrap loader as summarized in [Table 35](#).

**Table 35. Hardware topics summary**

Actual bootstrap loader	New bootstrap loader	Comments
P4.5 can be used as output in BSL mode.	P4.5 cannot be used as user output in BSL mode, but only as CAN1_RxD or input or address segments.	
Level on CAN1_RxD can change during boot Step 2.	Level on CAN1_RxD must be stable at '1' during boot Step 2.	External pull-up on P4.5 needed.

## 5.6 Alternate boot mode (ABM)

### 5.6.1 Activation

Alternate boot is activated with the combination '01' on Port0L[5..4] at the rising edge of RSTIN.

### 5.6.2 Memory mapping

The ST10F276Z5 has the same memory mapping for standard boot mode and for alternate boot mode:

- Test-Flash: Mapped from 00'0000h. The Standard Bootstrap Loader can be started by executing a jump to the address of this routine (JMPS 00'xxxx; *address to be defined*).
- User Flash: The User Flash is divided in two parts: The IFLASH, visible only for memory reads and memory writes (no code fetch) and the XFLASH, visible for any ST10 access (memory read, memory write and code fetch).
- All device XRAM and Xperipherals modules can be accessed if enabled in XPERCON register.

*Note: The alternate boot mode can be used to reprogram the whole content of the device User Flash (except Block 0 in Bank 2, where the alternate boot is mapped into).*

### 5.6.3 Interrupts

The ST10 interrupt vector table is always mapped from address 00'0000h.

As a consequence, interrupts are not allowed in Alternate Boot mode; all maskable and non maskable interrupts must be disabled.

### 5.6.4 ST10 configuration in alternate boot mode

When the ST10F276Z5 enters BSL mode via CAN, the configuration shown in [Table 36](#) is automatically set (values that deviate from the normal reset values are marked in **bold**).

**Table 36. ST10 configuration in alternate boot mode**

Function or register	Access	Notes
Watchdog timer	Disabled	
Register SYSCON	0404H <sup>(1)</sup>	XPEN bit set
Context pointer CP	FA00 <sub>H</sub>	
Register STKUN	FA00 <sub>H</sub>	
Stack pointer SP	FA40 <sub>H</sub>	
Register STKOV	FC00 <sub>H</sub>	
Register BUSCON0	access to startup configuration <sup>(2)</sup>	
XPERCON	002D <sub>H</sub>	XRAM1-2, XFlash, CAN1 enabled

1. In Bootstrap modes (standard or alternate) ROMEN, bit 10 of SYSCON, is always set regardless of  $\overline{EA}$  pin level. BYTDIS, bit 9 of SYSCON, is set according to data bus width selection via Port0 configuration.
2. BUSCON0 is initialized with 0000h, external bus disabled, if pin  $\overline{EA}$  is high during reset. If pin  $\overline{EA}$  is low during reset, BUSACT0, bit 10, and ALECTL0, bit 9, are set enabling the external bus with lengthened ALE signal. BTYP field, bit 7 and 6, is set according to Port0 configuration.

Even if the internal IFLASH is enabled, a code cannot be executed from it.

As the XFlash is needed, XPERCON register is configured by the ABM loader code and bit XPEN of SYSCON is set. However, as long as the EINIT instruction is not executed (and it is not in the bootstrap loader code), the settings can be modified. To do this, perform the following steps:

- Copy in DPRAM a function that will
  - disable the XPeripherals by clearing XPEN in SYSCON register,
  - enabled the needed XPeripherals by writing the correct value in XPERCON register,
  - set XPEN bit in SYSCON,
  - return to calling address.
- Call the function from XFlash

The changing of the XPERCON value cannot be executed from the XFlash because the XFlash is disabled by the clearing of XPEN bit in SYSCON.

### 5.6.5 Watchdog

As for standard boot, the Watchdog timer remains disabled during Alternate Boot mode. In case a Watchdog reset occurs, a software reset is generated.

*Note:* See note from [Section 5.2.7](#) concerning software reset.

### 5.6.6 Exiting alternate boot mode

Once the ABM mode is entered, it can be exited only with a software or hardware reset.

*Note:* See note from [Section 5.2.7](#) concerning software reset.

### 5.6.7 Alternate boot user software

If the rules described previously are respected (that is, mapping of variables, disabling of interrupts, exit conditions, predefined vectors in Block 0 of Bank 2, Watchdog usage), then users can write the software they want to execute in this mode starting from 09'0000h.

### 5.6.8 User/alternate mode signature integrity check

The behavior of the Alternate Boot mode is based on the computing of a signature between the content of two memory locations and a comparison with a reference signature. This requires that users who use Alternate Boot have reserved and programmed the Flash memory locations according to:

User mode signature

00'0000h: memory address of *operand0* for the signature computing

00'1FFCh: memory address of *operand1* for the signature computing

00'1FFEh: memory address for the signature reference

Alternate mode signature

09'0000h: memory address of *operand0* for the signature computing

09'1FFCh: memory address of *operand1* for the signature computing

09'1FFEh: memory address for the signature reference

The values for *operand0*, *operand1* and the signature should be such that the sequence shown in the figure below is successfully executed.

```
MOV    Rx, CheckBlock1Addr; 00'0000h for standard reset
ADD    Rx, CheckBlock2Addr; 00'1FFCh for standard reset
CPLB  RLx                ; 1s complement of the lower
                        ; byte of the sum
CMP    Rx, CheckBlock3Addr; 00'1FFEh for standard reset
```

### 5.6.9 Alternate boot user software aspects

User defined alternate boot code must start at 09'0000h. A new SFR created on the ST10F276Z5 indicates that the device is running in Alternate Boot mode: Bit 5 of EMUCON (mapped at 0xFE0Ah) is set when the alternate boot is selected by the reset configuration. All the other bits are ignored when checking the content of this register to read the value of bit 5.

This bit is a read-only bit. It remains set until the next software or hardware reset.

### 5.6.10 EMUCON register

EMUCON (FE0Ah / 05h)										SFR					Reset value: - xxh:				
15	14	13	12	11	10	9	8	7	6	5	4	3	2	1	0				
-										ABM									
-										R	-								

**Table 37. ABM bit description**

Bit	Function
ABM	ABM Flag (or TMOD3) '0': Alternate Boot mode is not selected by reset configuration on P0L[5..4] '1': Alternate Boot mode is selected by reset configuration on P0L[5..4]: This bit is set if P0L[5..4] = '01' during hardware reset.

### 5.6.11 Internal decoding of test modes

The test mode decoding logic is located inside the ST10F276Z5 Bus Controller.

The decoding is as follows:

- Alternate Boot mode decoding: ( $\overline{P0L.5}$  & P0L.4)
- Standard Bootstrap decoding: (P0L.5 &  $\overline{P0L.4}$ )
- Normal operation: (P0L.5 & P0L.4)

The other configurations select ST internal test modes.

### 5.6.12 Example

In the following example, Alternate Boot mode works as follows: on rising edge of  $\overline{RSTIN}$  pin, the reset configuration is latched:

- If Bootstrap Loader mode is not enabled (P0L[5..4] = '11'), the device hardware proceeds with a standard hardware reset procedure.
- If standard Bootstrap Loader is enabled (P0L[5..4] = '10'), the standard ST10 Bootstrap Loader is enabled and a variable is cleared to indicate that ABM is not enabled.
- If Alternate Boot mode is selected (P0L[5..4] = '01'), then, depending on signatures integrity checks, a predefined reset sequence is activated.

## 5.7 Selective boot mode

The selective boot is a subcase of the Alternate Boot mode. When none of the signatures are correct, instead of executing the standard bootstrap loader (triggered by P0L.4 low at reset), an additional check is made.

Address 00'1FFCh is read again with the following behavior:

- If value is 0000h or FFFFh, a jump is performed to the standard bootstrap loader.
- Otherwise:
  - High byte is disregarded.
  - Low byte bits select which communication channel is enabled.

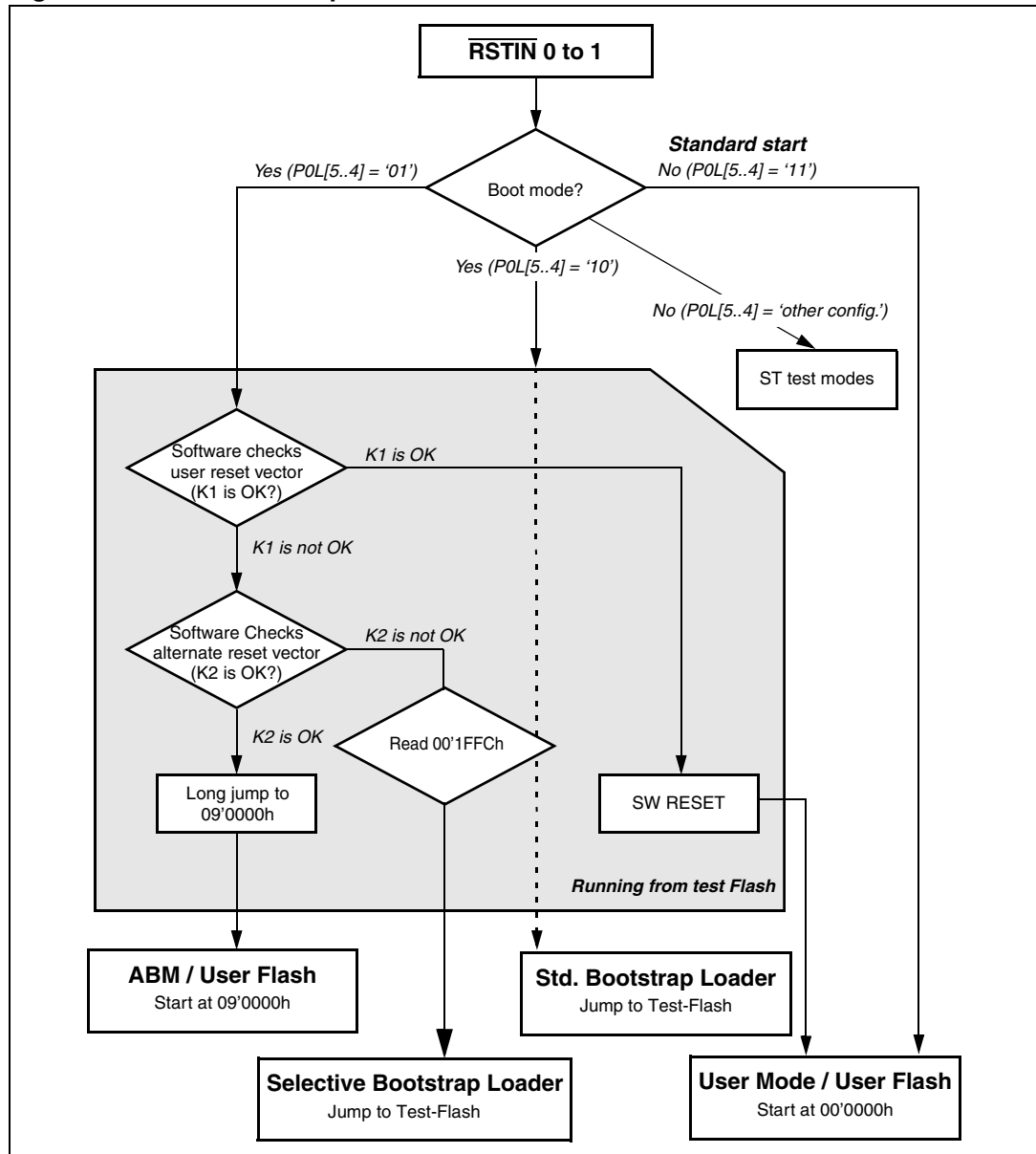
**Table 38. Selective boot**

Bit	Function
0	UART selection '0': UART is not watched for a Start condition. '1': UART is watched for a Start condition.
1	CAN1 selection '0': CAN1 is not watched for a Start condition. '1': CAN1 is watched for a Start condition.
2..7	Reserved For upward compatibility, must be programmed to '0'

Therefore a value:

- 0xXX03 configures the Selective Bootstrap Loader to poll for RxD0 and CAN1\_RxD.
- 0xXX01 configures the Selective Bootstrap Loader to poll only RxD0 (no boot via CAN).
- 0xXX02 configures the Selective Bootstrap Loader to poll only CAN1\_RxD (no boot via UART).
- Other values allow the ST10F276Z5 to execute an endless loop into the Test-Flash.

Figure 13. Reset boot sequence



## 6 Central processing unit (CPU)

The CPU includes a 4-stage instruction pipeline, a 16-bit arithmetic and logic unit (ALU) and dedicated SFRs. Additional hardware has been added for a separate multiply and divide unit, a bit-mask generator and a barrel shifter.

Most of the ST10F276Z5 instructions can be executed in one instruction cycle which requires 31.25ns at 64 MHz CPU clock. For example, shift and rotate instructions are processed in one instruction cycle independent of the number of bits to be shifted.

Multiple-cycle instructions have been optimized: branches are carried out in 2 cycles, 16 x 16-bit multiplication in 5 cycles and a 32/16-bit division in 10 cycles.

The jump cache reduces the execution time of repeatedly performed jumps in a loop, from 2 cycles to 1 cycle.

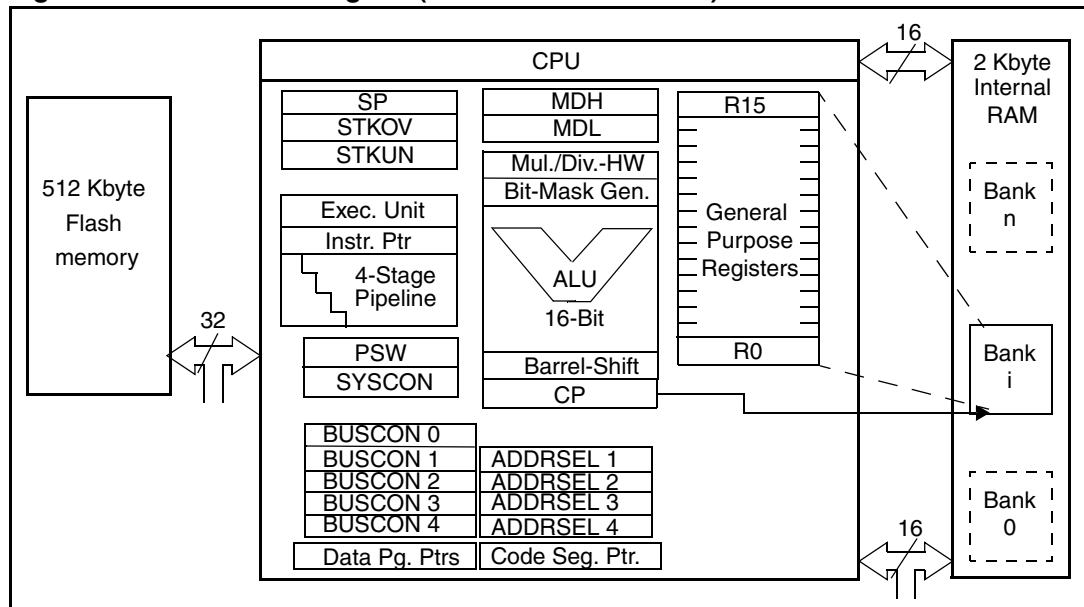
The CPU uses a bank of 16 word registers to run the current context. This bank of General Purpose Registers (GPR) is physically stored within the on-chip Internal RAM (IRAM) area. A Context Pointer (CP) register determines the base address of the active register bank to be accessed by the CPU.

The number of register banks is only restricted by the available Internal RAM space. For easy parameter passing, a register bank may overlap others.

A system stack of up to 2048 bytes is provided as a storage for temporary data. The system stack is allocated in the on-chip RAM area, and it is accessed by the CPU via the stack pointer (SP) register.

Two separate SFRs, STKOV and STKUN, are implicitly compared against the stack pointer value upon each stack access for the detection of a stack overflow or underflow.

**Figure 14. CPU Block Diagram (MAC Unit not included)**





### 6.1 Multiplier-accumulator unit (MAC)

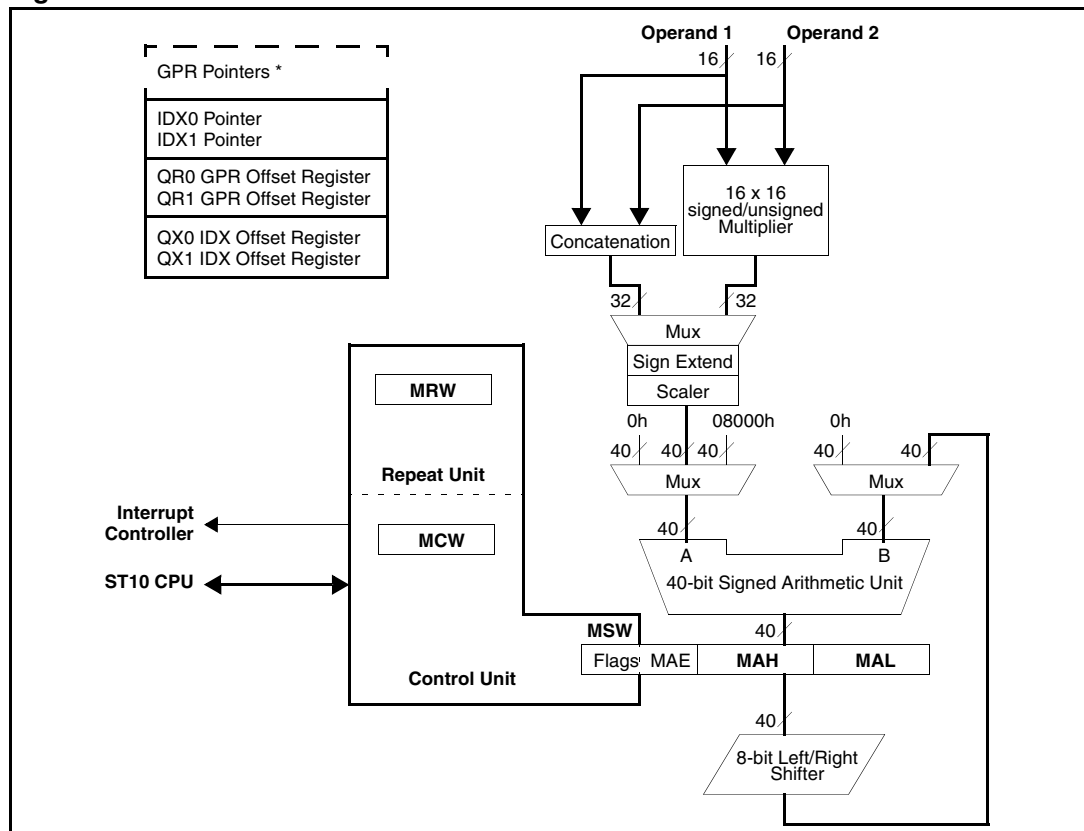
The MAC coprocessor is a specialized coprocessor added to the ST10 CPU Core in order to improve the performances of the ST10 Family in signal processing algorithms.

The standard ST10 CPU has been modified to include new addressing capabilities which enable the CPU to supply the new coprocessor with up to 2 operands per instruction cycle.

This new coprocessor (so-called MAC) contains a fast multiply-accumulate unit and a repeat unit.

The coprocessor instructions extend the ST10 CPU instruction set with multiply, multiply-accumulate, 32-bit signed arithmetic operations.

Figure 15. MAC unit architecture



## 6.2 Instruction set summary

The [Table 39](#) lists the instructions of the ST10F276Z5. The detailed description of each instruction can be found in the “ST10 Family Programming Manual”.

**Table 39. Standard instruction set summary**

Mnemonic	Description	Bytes
ADD(B)	Add word (byte) operands	2 / 4
ADDC(B)	Add word (byte) operands with Carry	2 / 4
SUB(B)	Subtract word (byte) operands	2 / 4
SUBC(B)	Subtract word (byte) operands with Carry	2 / 4
MUL(U)	(Un)Signed multiply direct GPR by direct GPR (16-16-bit)	2
DIV(U)	(Un)Signed divide register MDL by direct GPR (16-/16-bit)	2
DIVL(U)	(Un)Signed long divide reg. MD by direct GPR (32-/16-bit)	2
CPL(B)	Complement direct word (byte) GPR	2
NEG(B)	Negate direct word (byte) GPR	2
AND(B)	Bit-wise AND, (word/byte operands)	2 / 4
OR(B)	Bit-wise OR, (word/byte operands)	2 / 4
XOR(B)	Bit-wise XOR, (word/byte operands)	2 / 4
BCLR	Clear direct bit	2
BSET	Set direct bit	2
BMOV(N)	Move (negated) direct bit to direct bit	4
BAND, BOR, BXOR	AND/OR/XOR direct bit with direct bit	4
BCMP	Compare direct bit to direct bit	4
BFLDH/L	Bit-wise modify masked high/low byte of bit-addressable direct word memory with immediate data	4
CMP(B)	Compare word (byte) operands	2 / 4
CMPD1/2	Compare word data to GPR and decrement GPR by 1/2	2 / 4
CMP11/2	Compare word data to GPR and increment GPR by 1/2	2 / 4
PRIOR	Determine number of shift cycles to normalize direct word GPR and store result in direct word GPR	2
SHL / SHR	Shift left/right direct word GPR	2
ROL / ROR	Rotate left/right direct word GPR	2
ASHR	Arithmetic (sign bit) shift right direct word GPR	2
MOV(B)	Move word (byte) data	2 / 4
MOVBS	Move byte operand to word operand with sign extension	2 / 4
MOVZ	Move byte operand to word operand with zero extension	2 / 4
JMPA, JMPI, JMPR	Jump absolute/indirect/relative if condition is met	4
JMPS	Jump absolute to a code segment	4

**Table 39. Standard instruction set summary (continued)**

Mnemonic	Description	Bytes
J(N)B	Jump relative if direct bit is (not) set	4
JBC	Jump relative and clear bit if direct bit is set	4
JNBS	Jump relative and set bit if direct bit is not set	4
CALLA, CALLI, CALLR	Call absolute/indirect/relative subroutine if condition is met	4
CALLS	Call absolute subroutine in any code segment	4
PCALL	Push direct word register onto system stack and call absolute subroutine	4
TRAP	Call interrupt service routine via immediate trap number	2
PUSH, POP	Push/pop direct word register onto/from system stack	2
SCXT	Push direct word register onto system stack and update register with word operand	4
RET	Return from intra-segment subroutine	2
RETS	Return from inter-segment subroutine	2
RETP	Return from intra-segment subroutine and pop direct word register from system stack	2
RETI	Return from interrupt service subroutine	2
SRST	Software Reset	4
IDLE	Enter Idle mode	4
PWRDN	Enter Power-down mode (supposes $\overline{\text{NMI}}$ -pin being low)	4
SRVWDT	Service Watchdog Timer	4
DISWDT	Disable Watchdog Timer	4
EINIT	Signify End-of-Initialization on RSTOUT-pin	4
ATOMIC	Begin ATOMIC sequence	2
EXTR	Begin EXTended Register sequence	2
EXTP(R)	Begin EXTended Page (and Register) sequence	2 / 4
EXTS(R)	Begin EXTended Segment (and Register) sequence	2 / 4
NOP	Null operation	2

## 6.3 MAC coprocessor specific instructions

The [Table 40](#) lists the MAC instructions of the ST10F276Z5. The detailed description of each instruction can be found in the “ST10 Family Programming Manual”. Note that all MAC instructions are encoded on 4 bytes.

**Table 40. MAC instruction set summary**

Mnemonic	Description
CoABS	Absolute Value of the Accumulator
CoADD(2)	Addition
CoASHR(rnd)	Accumulator Arithmetic Shift Right & Optional Round
CoCMP	Compare Accumulator with Operands
CoLOAD(-,2)	Load Accumulator with Operands
CoMAC(R,u,s,-,rnd)	(Un)Signed/(Un)Signed Multiply-Accumulate & Optional Round
CoMACM(R)(u,s,-,rnd)	(Un)Signed/(Un)Signed Multiply-Accumulate with Parallel Data Move & Optional Round
CoMAX / CoMIN	Maximum / Minimum of Operands and Accumulator
CoMOV	Memory to Memory Move
CoMUL(u,s,-,rnd)	(Un)Signed/(Un)Signed multiply & Optional Round
CoNEG(rnd)	Negate Accumulator & Optional Round
CoNOP	No-Operation
CoRND	Round Accumulator
CoSHL / CoSHR	Accumulator Logical Shift Left / Right
CoSTORE	Store a MAC Unit Register
CoSUB(2,R)	Substraction

## 7 External bus controller

All of the external memory accesses are performed by the on-chip external bus controller.

The EBC can be programmed to single chip mode when no external memory is required, or to one of four different external memory access modes:

- 16- / 18- / 20- / 24-bit addresses and 16-bit data, demultiplexed
- 16- / 18- / 20- / 24-bit addresses and 16-bit data, multiplexed
- 16- / 18- / 20- / 24-bit addresses and 8-bit data, multiplexed
- 16- / 18- / 20- / 24-bit addresses and 8-bit data, demultiplexed

In demultiplexed bus modes addresses are output on PORT1 and data is input / output on PORT0 or P0L, respectively. In the multiplexed bus modes both addresses and data use PORT0 for input / output.

Timing characteristics of the external bus interface (memory cycle time, memory tri-state time, length of ALE and read / write delay) are programmable giving the choice of a wide range of memories and external peripherals.

Up to four independent address windows may be defined (using register pairs ADDRSELx / BUSCONx) to access different resources and bus characteristics.

These address windows are arranged hierarchically where BUSCON4 overrides BUSCON3 and BUSCON2 overrides BUSCON1.

All accesses to locations not covered by these four address windows are controlled by BUSCON0. Up to five external  $\overline{CS}$  signals (four windows plus default) can be generated in order to save external glue logic. Access to very slow memories is supported by a 'Ready' function.

A  $\overline{HOLD}$  /  $\overline{HLDA}$  protocol is available for bus arbitration which shares external resources with other bus masters.

The bus arbitration is enabled by setting bit HLDEN in register PSW. After setting HLDEN once, pins P6.7...P6.5 ( $\overline{BREQ}$ ,  $\overline{HLDA}$ ,  $\overline{HOLD}$ ) are automatically controlled by the EBC. In master mode (default after reset) the  $\overline{HLDA}$  pin is an output. By setting bit DP6.7 to '1' the slave mode is selected where pin  $\overline{HLDA}$  is switched to input. This directly connects the slave controller to another master controller without glue logic.

For applications which require less external memory space, the address space can be restricted to 1 Mbyte, 256 Kbytes or to 64 Kbytes. Port 4 outputs all eight address lines if an address space of 16M Bytes is used, otherwise four, two or no address lines.

Chip select timing can be made programmable. By default (after reset), the  $\overline{CSx}$  lines change half a CPU clock cycle after the rising edge of ALE. With the CSCFG bit set in the SYSCON register the  $\overline{CSx}$  lines change with the rising edge of ALE.

The active level of the READY pin can be set by bit RDYPOL in the BUSCONx registers. When the READY function is enabled for a specific address window, each bus cycle within the window must be terminated with the active level defined by bit RDYPOL in the associated BUSCON register.

## 8 Interrupt system

The interrupt response time for internal program execution is from 78 to 187.5 ns at 64 MHz CPU clock.

The ST10F276Z5 architecture supports several mechanisms for fast and flexible response to service requests that can be generated from various sources (internal or external) to the microcontroller. Any of these interrupt requests can be serviced by the Interrupt Controller or by the Peripheral Event Controller (PEC).

In contrast to a standard interrupt service where the current program execution is suspended and a branch to the interrupt vector table is performed, just one cycle is ‘stolen’ from the current CPU activity to perform a PEC service. A PEC service implies a single Byte or Word data transfer between any two memory locations with an additional increment of either the PEC source or destination pointer. An individual PEC transfer counter is implicitly decremented for each PEC service except when performing in the continuous transfer mode. When this counter reaches zero, a standard interrupt is performed to the corresponding source related vector location. PEC services are very well suited to perform the transmission or the reception of blocks of data. The ST10F276Z5 has 8 PEC channels, each of them offers such fast interrupt-driven data transfer capabilities.

An interrupt control register which contains an interrupt request flag, an interrupt enable flag and an interrupt priority bit-field is dedicated to each existing interrupt source. Thanks to its related register, each source can be programmed to one of sixteen interrupt priority levels. Once starting to be processed by the CPU, an interrupt service can only be interrupted by a higher prioritized service request. For the standard interrupt processing, each of the possible interrupt sources has a dedicated vector location.

Software interrupts are supported by means of the ‘TRAP’ instruction in combination with an individual trap (interrupt) number.

Fast external interrupt inputs are provided to service external interrupts with high precision requirements. These fast interrupt inputs feature programmable edge detection (rising edge, falling edge or both edges).

Fast external interrupts may also have interrupt sources selected from other peripherals; for example the CANx controller receive signals (CANx\_RxD) and I<sup>2</sup>C serial clock signal can be used to interrupt the system.

Table 41 shows all the available ST10F276Z5 interrupt sources and the corresponding hardware-related interrupt flags, vectors, vector locations and trap (interrupt) numbers:

**Table 41. Interrupt sources**

Source of Interrupt or PEC Service Request	Request Flag	Enable Flag	Interrupt Vector	Vector Location	Trap Number
CAPCOM Register 0	CC0IR	CC0IE	CC0INT	00'0040h	10h
CAPCOM Register 1	CC1IR	CC1IE	CC1INT	00'0044h	11h
CAPCOM Register 2	CC2IR	CC2IE	CC2INT	00'0048h	12h
CAPCOM Register 3	CC3IR	CC3IE	CC3INT	00'004Ch	13h
CAPCOM Register 4	CC4IR	CC4IE	CC4INT	00'0050h	14h
CAPCOM Register 5	CC5IR	CC5IE	CC5INT	00'0054h	15h

Table 41. Interrupt sources (continued)

Source of Interrupt or PEC Service Request	Request Flag	Enable Flag	Interrupt Vector	Vector Location	Trap Number
CAPCOM Register 6	CC6IR	CC6IE	CC6INT	00'0058h	16h
CAPCOM Register 7	CC7IR	CC7IE	CC7INT	00'005Ch	17h
CAPCOM Register 8	CC8IR	CC8IE	CC8INT	00'0060h	18h
CAPCOM Register 9	CC9IR	CC9IE	CC9INT	00'0064h	19h
CAPCOM Register 10	CC10IR	CC10IE	CC10INT	00'0068h	1Ah
CAPCOM Register 11	CC11IR	CC11IE	CC11INT	00'006Ch	1Bh
CAPCOM Register 12	CC12IR	CC12IE	CC12INT	00'0070h	1Ch
CAPCOM Register 13	CC13IR	CC13IE	CC13INT	00'0074h	1Dh
CAPCOM Register 14	CC14IR	CC14IE	CC14INT	00'0078h	1Eh
CAPCOM Register 15	CC15IR	CC15IE	CC15INT	00'007Ch	1Fh
CAPCOM Register 16	CC16IR	CC16IE	CC16INT	00'00C0h	30h
CAPCOM Register 17	CC17IR	CC17IE	CC17INT	00'00C4h	31h
CAPCOM Register 18	CC18IR	CC18IE	CC18INT	00'00C8h	32h
CAPCOM Register 19	CC19IR	CC19IE	CC19INT	00'00CCh	33h
CAPCOM Register 20	CC20IR	CC20IE	CC20INT	00'00D0h	34h
CAPCOM Register 21	CC21IR	CC21IE	CC21INT	00'00D4h	35h
CAPCOM Register 22	CC22IR	CC22IE	CC22INT	00'00D8h	36h
CAPCOM Register 23	CC23IR	CC23IE	CC23INT	00'00DCh	37h
CAPCOM Register 24	CC24IR	CC24IE	CC24INT	00'00E0h	38h
CAPCOM Register 25	CC25IR	CC25IE	CC25INT	00'00E4h	39h
CAPCOM Register 26	CC26IR	CC26IE	CC26INT	00'00E8h	3Ah
CAPCOM Register 27	CC27IR	CC27IE	CC27INT	00'00ECh	3Bh
CAPCOM Register 28	CC28IR	CC28IE	CC28INT	00'00F0h	3Ch
CAPCOM Register 29	CC29IR	CC29IE	CC29INT	00'0110h	44h
CAPCOM Register 30	CC30IR	CC30IE	CC30INT	00'0114h	45h
CAPCOM Register 31	CC31IR	CC31IE	CC31INT	00'0118h	46h
CAPCOM Timer 0	T0IR	T0IE	T0INT	00'0080h	20h
CAPCOM Timer 1	T1IR	T1IE	T1INT	00'0084h	21h
CAPCOM Timer 7	T7IR	T7IE	T7INT	00'00F4h	3Dh
CAPCOM Timer 8	T8IR	T8IE	T8INT	00'00F8h	3Eh
GPT1 Timer 2	T2IR	T2IE	T2INT	00'0088h	22h
GPT1 Timer 3	T3IR	T3IE	T3INT	00'008Ch	23h
GPT1 Timer 4	T4IR	T4IE	T4INT	00'0090h	24h
GPT2 Timer 5	T5IR	T5IE	T5INT	00'0094h	25h

**Table 41. Interrupt sources (continued)**

Source of Interrupt or PEC Service Request	Request Flag	Enable Flag	Interrupt Vector	Vector Location	Trap Number
GPT2 Timer 6	T6IR	T6IE	T6INT	00'0098h	26h
GPT2 CAPREL Register	CRIR	CRIE	CRINT	00'009Ch	27h
A/D Conversion Complete	ADCIR	ADCIE	ADCINT	00'00A0h	28h
A/D Overrun Error	ADEIR	ADEIE	ADEINT	00'00A4h	29h
ASC0 Transmit	S0TIR	S0TIE	S0TINT	00'00A8h	2Ah
ASC0 Transmit Buffer	S0TBIR	S0TBIE	S0TBINT	00'011Ch	47h
ASC0 Receive	S0RIR	S0RIE	S0RINT	00'00ACh	2Bh
ASC0 Error	S0EIR	S0EIE	S0EINT	00'00B0h	2Ch
SSC Transmit	SCTIR	SCTIE	SCTINT	00'00B4h	2Dh
SSC Receive	SCRIR	SCRIE	SCRINT	00'00B8h	2Eh
SSC Error	SCEIR	SCEIE	SCEINT	00'00BCh	2Fh
PWM Channel 0...3	PWMIR	PWMIE	PWMINT	00'00FCh	3Fh
See Paragraph 8.1	XP0IR	XP0IE	XP0INT	00'0100h	40h
See Paragraph 8.1	XP1IR	XP1IE	XP1INT	00'0104h	41h
See Paragraph 8.1	XP2IR	XP2IE	XP2INT	00'0108h	42h
See Paragraph 8.1	XP3IR	XP3IE	XP3INT	00'010Ch	43h

Hardware traps are exceptions or error conditions that arise during run-time. They cause immediate non-maskable system reaction similar to a standard interrupt service (branching to a dedicated vector table location).

The occurrence of a hardware trap is additionally signified by an individual bit in the trap flag register (TFR). Except when another higher prioritized trap service is in progress, a hardware trap will interrupt any other program execution. Hardware trap services cannot not be interrupted by standard interrupt or by PEC interrupts.

## 8.1 X-Peripheral interrupt

The limited number of X-Bus interrupt lines of the present ST10 architecture, imposes some constraints on the implementation of the new functionality. In particular, the additional X-Peripherals SSC1, ASC1, I<sup>2</sup>C, PWM1 and RTC need some resources to implement interrupt and PEC transfer capabilities. For this reason, a multiplexed structure for the interrupt management is proposed. In the next *Figure 16*, the principle is explained through a simple diagram, which shows the basic structure replicated for each of the four X-interrupt available vectors (XP0INT, XP1INT, XP2INT and XP3INT).

It is based on a set of 16-bit registers XIRxSEL (x=0,1,2,3), divided in two portions each:

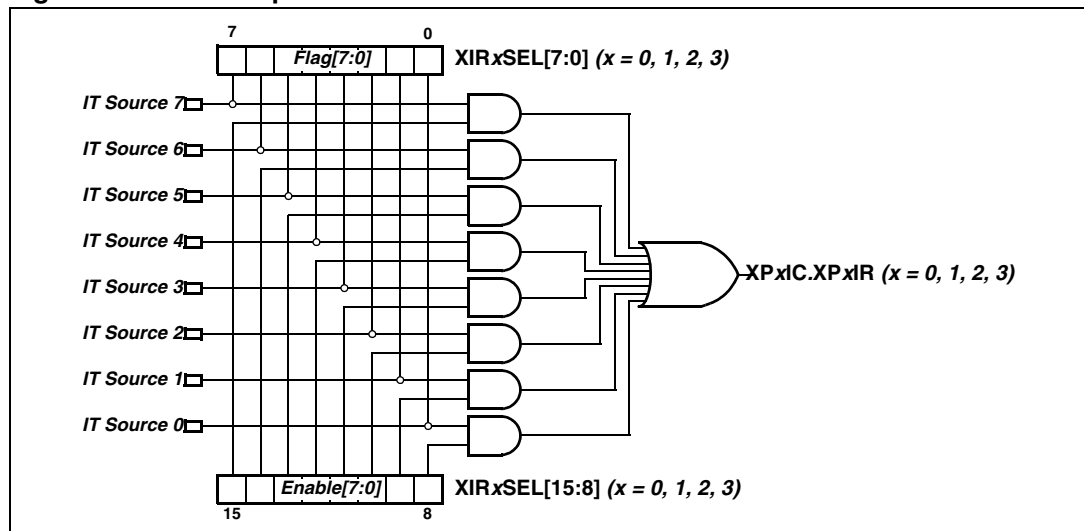
- Byte High XIRxSEL[15:8] Interrupt Enable bits
- Byte Low XIRxSEL[7:0] Interrupt Flag bits

When different sources submit an interrupt request, the enable bits (Byte High of XIRxSEL register) define a mask which controls which sources will be associated with the unique



available vector. If more than one source is enabled to issue the request, the service routine will have to take care to identify the real event to be serviced. This can easily be done by checking the flag bits (Byte Low of XIRxSEL register). Note that the flag bits can also provide information about events which are not currently serviced by the interrupt controller (since masked through the enable bits), allowing an effective software management also in absence of the possibility to serve the related interrupt request: a periodic polling of the flag bits may be implemented inside the user application.

**Figure 16. X-Interrupt basic structure**



The [Table 42](#) summarizes the mapping of the different interrupt sources which shares the four X-interrupt vectors.

**Table 42. X-Interrupt detailed mapping**

	XP0INT	XP1INT	XP2INT	XP3INT
CAN1 Interrupt	x			x
CAN2 Interrupt		x		x
I2C Receive	x	x	x	
I2C Transmit	x	x	x	
I2C Error				x
SSC1 Receive	x	x	x	
SSC1 Transmit	x	x	x	
SSC1 Error				x
ASC1 Receive	x	x	x	
ASC1 Transmit	x	x	x	
ASC1 Transmit Buffer	x	x	x	

**Table 42. X-Interrupt detailed mapping (continued)**

	XP0INT	XP1INT	XP2INT	XP3INT
ASC1 Error				x
PLL Unlock / OWD				x
PWM1 Channel 3...0			x	x

## 8.2 Exception and error traps list

Table 43 shows all of the possible exceptions or error conditions that can arise during run-time.

**Table 43. Trap priorities**

Exception Condition	Trap Flag	Trap Vector	Vector Location	Trap Number	Trap* Priority
Reset Functions <sup>(1)</sup> : Hardware Reset Software Reset Watchdog Timer Overflow		RESET RESET RESET	00'0000h 00'0000h 00'0000h	00h 00h 00h	III III III
Class A Hardware Traps <sup>(2)</sup> : Non-Maskable Interrupt Stack Overflow Stack Underflow	NMI STKOF STKUF	NMITRAP STOTRAP STUTRAP	00'0008h 00'0010h 00'0018h	02h 04h 06h	II II II
Class B Hardware Traps <sup>(3)</sup> : Undefined Opcode MAC Interruption Protected Instruction Fault Illegal word Operand Access Illegal Instruction Access Illegal External Bus Access	UNDOPC MACTRP PRTFLT ILLOPA ILLINA ILLBUS	BTRAP BTRAP BTRAP BTRAP BTRAP BTRAP	00'0028h 00'0028h 00'0028h 00'0028h 00'0028h 00'0028h	0Ah 0Ah 0Ah 0Ah 0Ah 0Ah	I I I I I I
Reserved			[002Ch - 003Ch]	[0Bh - 0Fh]	
Software Traps TRAP Instruction			Any 0000h – 01FCh in steps of 4h	Any [00h - 7Fh]	Current CPU Priority

1. The resets have the highest priority level and the same trap number. The PSW.ILVL CPU priority is forced to the highest level (15) when these exceptions are serviced.
2. Each class A traps has a dedicated trap number (and vector). They are prioritized in the second priority level.
3. All the class B traps have the same trap number (and vector) and the same lower priority compare to the class A traps and to the resets.

## 9 Capture / compare (CAPCOM) units

The ST10F276Z5 has two 16-channel CAPCOM units which support generation and control of timing sequences on up to 32 channels with a maximum resolution of 125 ns at 64 MHz CPU clock.

The CAPCOM units are typically used to handle high speed I/O tasks such as pulse and waveform generation, pulse width modulation (PWM), Digital to Analog (D/A) conversion, software timing, or time recording relative to external events.

Four 16-bit timers (T0/T1, T7/T8) with reload registers provide two independent time bases for the capture/compare register array.

The input clock for the timers is programmable to several prescaled values of the internal system clock, or may be derived from an overflow/underflow of timer T6 in module GPT2.

This provides a wide range of variation for the timer period and resolution and allows precise adjustments to application specific requirements. In addition, external count inputs for CAPCOM timers T0 and T7 allow event scheduling for the capture/compare registers relative to external events.

Each of the two capture/compare register arrays contain 16 dual purpose capture/compare registers, each of which may be individually allocated to either CAPCOM timer T0 or T1 (T7 or T8, respectively), and programmed for capture or compare functions. Each of the 32 registers has one associated port pin which serves as an input pin for triggering the capture function, or as an output pin to indicate the occurrence of a compare event.

When a capture/compare register has been selected for capture mode, the current contents of the allocated timer will be latched (captured) into the capture/compare register in response to an external event at the port pin which is associated with this register. In addition, a specific interrupt request for this capture/compare register is generated.

Either a positive, a negative, or both a positive and a negative external signal transition at the pin can be selected as the triggering event. The contents of all registers which have been selected for one of the five compare modes are continuously compared with the contents of the allocated timers.

When a match occurs between the timer value and the value in a capture / compare register, specific actions will be taken based on the selected compare mode.

The input frequencies  $f_{Tx}$ , for the timer input selector Tx, are determined as a function of the CPU clocks. The timer input frequencies, resolution and periods which result from the selected pre-scaler option in TxI when using a 40 MHz and 64 MHz CPU clock are listed in the [Table 45](#) and [Table 46](#) respectively.

The numbers for the timer periods are based on a reload value of 0000h. Note that some numbers may be rounded to 3 significant figures.

**Table 44. Compare modes**

Compare modes	Function
Mode 0	Interrupt-only compare mode; several compare interrupts per timer period are possible
Mode 1	Pin toggles on each compare match; several compare events per timer period are possible
Mode 2	Interrupt-only compare mode; only one compare interrupt per timer period is generated

**Table 44. Compare modes (continued)**

Compare modes	Function
Mode 3	Pin set '1' on match; pin reset '0' on compare time overflow; only one compare event per timer period is generated
Double Register mode	Two registers operate on one pin; pin toggles on each compare match; several compare events per timer period are possible.

**Table 45. CAPCOM timer input frequencies, resolutions and periods at 40 MHz**

f <sub>CPU</sub> = 40 MHz	Timer Input Selection TxI							
	000b	001b	010b	011b	100b	101b	110b	111b
Pre-scaler for f <sub>CPU</sub>	8	16	32	64	128	256	512	1024
Input Frequency	5 MHz	2.5 MHz	1.25 MHz	625 kHz	312.5 kHz	156.25 kHz	78.125 kHz	39.1 kHz
Resolution	200 ns	400 ns	0.8 μs	1.6 s	3.2 μs	6.4 μs	12.8 μs	25.6 μs
Period	13.1 ms	26.2 ms	52.4 ms	104.8 ms	209.7 ms	419.4 ms	838.9 ms	1.678 s

**Table 46. CAPCOM timer input frequencies, resolutions and periods at 64 MHz**

f <sub>CPU</sub> = 64 MHz	Timer Input Selection TxI							
	000b	001b	010b	011b	100b	101b	110b	111b
Pre-scaler for f <sub>CPU</sub>	8	16	32	64	128	256	512	1024
Input Frequency	8 MHz	4 MHz	2 MHz	1 kHz	500 kHz	250 kHz	128 kHz	64 kHz
Resolution	125 ns	250 ns	0.5 μs	1.0 μs	2.0 μs	4.0 μs	8.0 μs	16.0 μs
Period	8.2 ms	16.4 ms	32.8 ms	65.5 ms	131.1 ms	262.1 ms	524.3 ms	1.049 s

## 10 General purpose timer unit

The GPT unit is a flexible multifunctional timer/counter structure which is used for time related tasks such as event timing and counting, pulse width and duty cycle measurements, pulse generation, or pulse multiplication. The GPT unit contains five 16-bit timers organized into two separate modules GPT1 and GPT2. Each timer in each module may operate independently in several different modes, or may be concatenated with another timer of the same module.

### 10.1 GPT1

Each of the three timers T2, T3, T4 of the GPT1 module can be configured individually for one of four basic modes of operation: **timer, gated timer, counter mode and incremental interface mode**.

In timer mode, the input clock for a timer is derived from the CPU clock, divided by a programmable prescaler.

In counter mode, the timer is clocked in reference to external events.

Pulse width or duty cycle measurement is supported in gated timer mode where the operation of a timer is controlled by the 'gate' level on an external input pin. For these purposes, each timer has one associated port pin (TxIN) which serves as gate or clock input.

Table 47 and Table 48 list the timer input frequencies, resolution and periods for each prescaler option at 40 MHz and 64 MHz CPU clock respectively.

In Incremental Interface mode, the GPT1 timers (T2, T3, T4) can be directly connected to the incremental position sensor signals A and B by their respective inputs TxIN and TxEUD.

Direction and count signals are internally derived from these two input signals so that the contents of the respective timer Tx corresponds to the sensor position. The third position sensor signal TOP0 can be connected to an interrupt input.

Timer T3 has output toggle latches (TxOTL) which changes state on each timer over flow / underflow. The state of this latch may be output on port pins (TxOUT) for time out monitoring of external hardware components, or may be used internally to clock timers T2 and T4 for high resolution of long duration measurements.

In addition to their basic operating modes, timers T2 and T4 may be configured as reload or capture registers for timer T3.

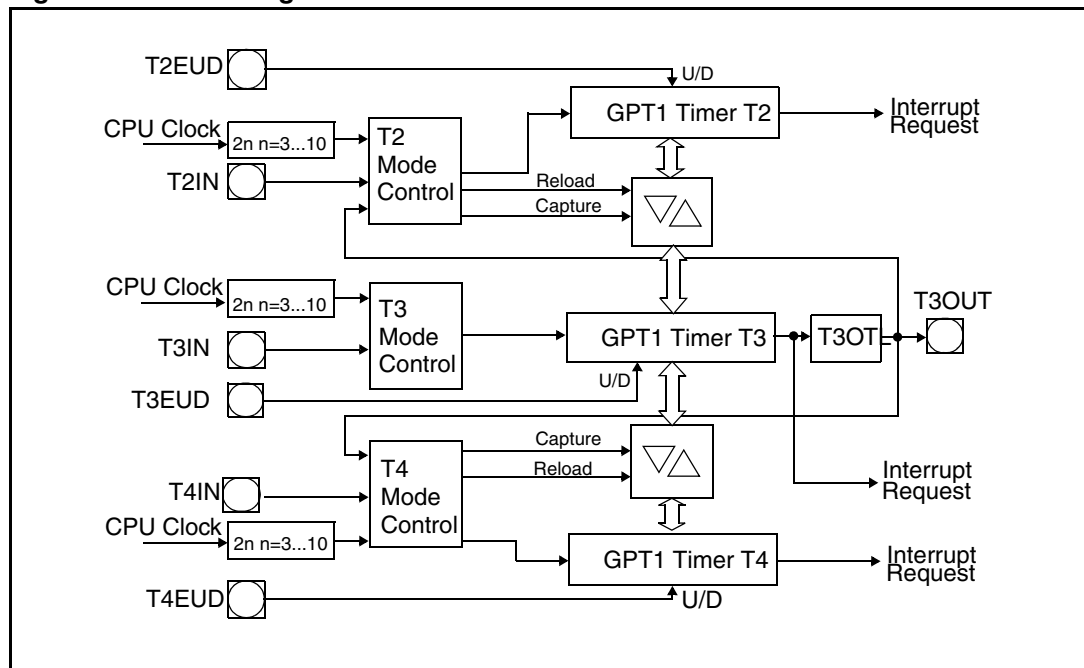
**Table 47. GPT1 timer input frequencies, resolutions and periods at 40 MHz**

f <sub>CPU</sub> = 40 MHz	Timer Input Selection T2I / T3I / T4I							
	000b	001b	010b	011b	100b	101b	110b	111b
Pre-scaler factor	8	16	32	64	128	256	512	1024
Input frequency	5 MHz	2.5 MHz	1.25 MHz	625 kHz	312.5 kHz	156.25 kHz	78.125 kHz	39.1 kHz
Resolution	200 ns	400 ns	0.8 μs	1.6 μs	3.2 μs	6.4 μs	12.8 μs	25.6 μs
Period maximum	13.1 ms	26.2 ms	52.4 ms	104.8 ms	209.7 ms	419.4 ms	838.9 ms	1.678 s

**Table 48. GPT1 timer input frequencies, resolutions and periods at 64 MHz**

f <sub>CPU</sub> = 64 MHz	Timer Input Selection T2I / T3I / T4I							
	000b	001b	010b	011b	100b	101b	110b	111b
Pre-scaler factor	8	16	32	64	128	256	512	1024
Input Freq	8 MHz	4 MHz	2 MHz	1 kHz	500 kHz	250 kHz	128 kHz	64 kHz
Resolution	125 ns	250 ns	0.5 μs	1.0 μs	2.0 μs	4.0 μs	8.0 μs	16.0 μs
Period maximum	8.2 ms	16.4 ms	32.8 ms	65.5 ms	131.1 ms	262.1 ms	524.3 ms	1.049 s

**Figure 17. Block diagram of GPT1**



## 10.2 GPT2

The GPT2 module provides precise event control and time measurement. It includes two timers (T5, T6) and a capture/reload register (CAPREL). Both timers can be clocked with an input clock which is derived from the CPU clock via a programmable prescaler or with external signals. The count direction (up/down) for each timer is programmable by software or may additionally be altered dynamically by an external signal on a port pin (TxEUD). Concatenation of the timers is supported via the output toggle latch (T6OTL) of timer T6 which changes its state on each timer overflow/underflow.

The state of this latch may be used to clock timer T5, or it may be output on a port pin (T6OUT). The overflow / underflow of timer T6 can additionally be used to clock the CAPCOM timers T0 or T1, and to cause a reload from the CAPREL register. The CAPREL register may capture the contents of timer T5 based on an external signal transition on the corresponding port pin (CAPIN), and timer T5 may optionally be cleared after the capture procedure. This allows absolute time differences to be measured or pulse multiplication to be performed without software overhead.

The capture trigger (timer T5 to CAPREL) may also be generated upon transitions of GPT1 timer T3 inputs T3IN and/or T3EUD. This is advantageous when T3 operates in Incremental Interface mode.

[Table 49](#) and [Table 50](#) list the timer input frequencies, resolution and periods for each pre-scaler option at 40 MHz and 64 MHz CPU clock respectively.

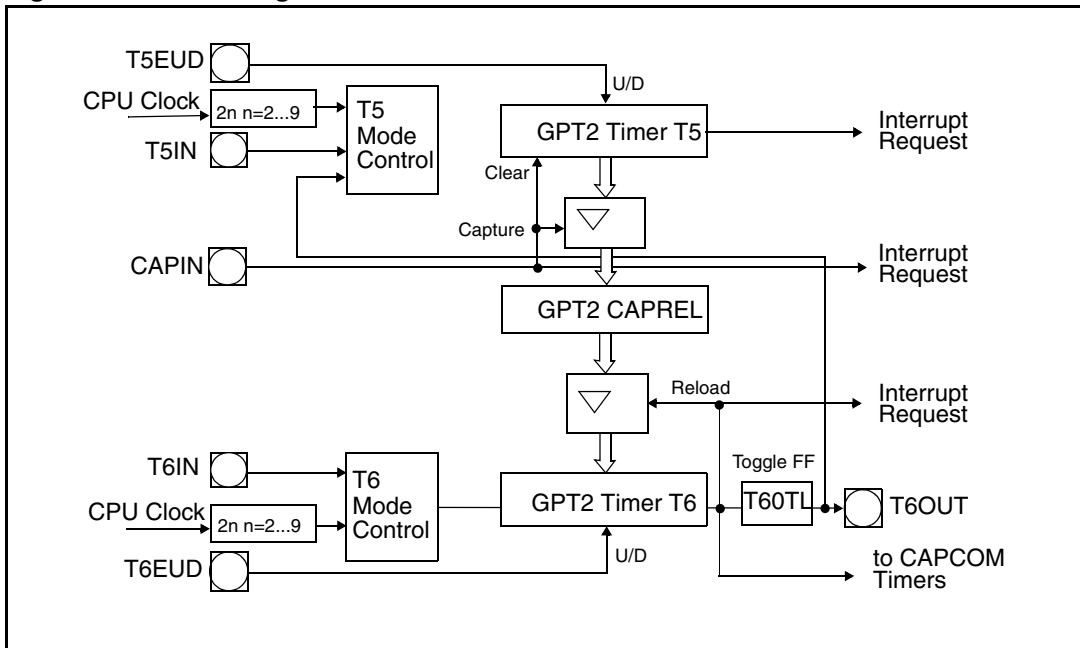
**Table 49. GPT2 timer input frequencies, resolutions and periods at 40 MHz**

f <sub>CPU</sub> = 40MHz	Timer Input Selection T5I / T6I							
	000b	001b	010b	011b	100b	101b	110b	111b
Pre-scaler factor	4	8	16	32	64	128	256	512
Input Freq	10 MHz	5 MHz	2.5 MHz	1.25 MHz	625 kHz	312.5 kHz	156.25 kHz	78.125 kHz
Resolution	100 ns	200 ns	400 ns	0.8 μs	1.6 μs	3.2 μs	6.4 μs	12.8 μs
Period maximum	6.55 ms	13.1 ms	26.2 ms	52.4 ms	104.8 ms	209.7 ms	419.4 ms	838.9 ms

**Table 50. GPT2 timer input frequencies, resolutions and periods at 64 MHz**

f <sub>CPU</sub> = 64MHz	Timer Input Selection T5I / T6I							
	000b	001b	010b	011b	100b	101b	110b	111b
Pre-scaler factor	4	8	16	32	64	128	256	512
Input Freq	16 MHz	8 MHz	4 MHz	2 MHz	1 kHz	500 kHz	250 kHz	128 kHz
Resolution	62.5 ns	125 ns	250 ns	0.5 μs	1.0 μs	2.0 μs	4.0 μs	8.0 μs
Period maximum	4.1 ms	8.2 ms	16.4 ms	32.8 ms	65.5 ms	131.1 ms	262.1 ms	524.3 ms

Figure 18. Block diagram of GPT2

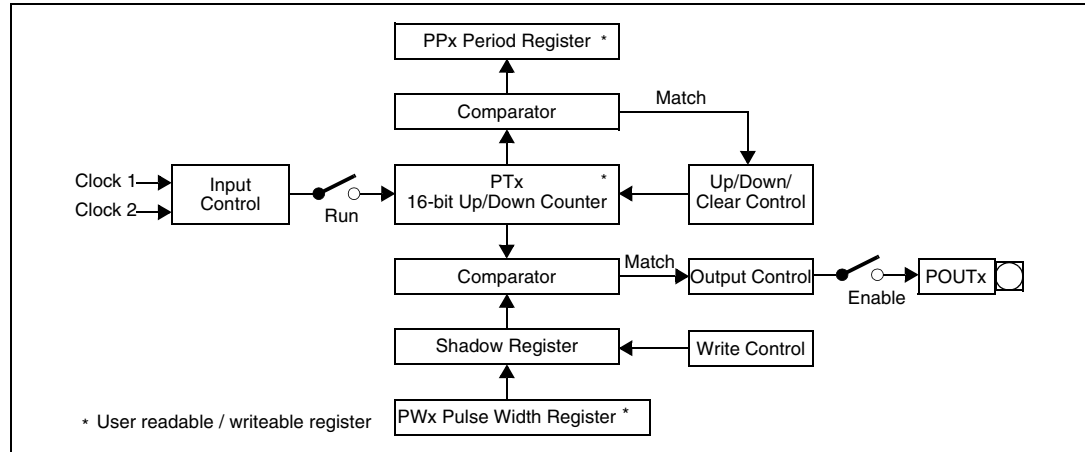




# 11 PWM modules

Two pulse width modulation modules are available on ST10F276Z5: standard PWM0 and XBUS PWM1. They can generate up to four PWM output signals each, using edge-aligned or centre-aligned PWM. In addition, the PWM modules can generate PWM burst signals and single shot outputs. The [Table 51](#) and [Table 52](#) show the PWM frequencies for different resolutions. The level of the output signals is selectable and the PWM modules can generate interrupt requests.

**Figure 19. Block diagram of PWM module**



**Table 51. PWM unit frequencies and resolutions at 40 MHz CPU clock**

Mode	Resolution	8-bit	10-bit	12-bit	14-bit	16-bit
<b>Mode 0</b>						
CPU Clock/1	25 ns	156.25 kHz	39.1 kHz	9.77 kHz	2.44 Hz	610 Hz
CPU Clock/64	1.6 μs	2.44 kHz	610 Hz	152.6 Hz	38.15 Hz	9.54 Hz
<b>Mode 1</b>						
CPU Clock/1	25 ns	78.12 kHz	19.53 kHz	4.88 kHz	1.22 kHz	305.2Hz
CPU Clock/64	1.6 μs	1.22 kHz	305.17 Hz	76.29 Hz	19.07 Hz	4.77 Hz

**Table 52. PWM unit frequencies and resolutions at 64 MHz CPU clock**

Mode	Resolution	8-bit	10-bit	12-bit	14-bit	16-bit
<b>Mode 0</b>						
CPU Clock/1	15.6 ns	250 kHz	62.5 kHz	15.63 kHz	3.91Hz	977 Hz
CPU Clock/64	1.0 $\mu$ s	3.91 kHz	976.6 Hz	244.1 Hz	61.01 Hz	15.26 Hz
<b>Mode 1</b>						
CPU Clock/1	15.6 ns	125 kHz	31.25 kHz	7.81 kHz	1.95 kHz	488.3 Hz
CPU Clock/64	1.0 $\mu$ s	1.95 kHz	488.28 Hz	122.07 Hz	30.52 Hz	7.63 Hz

## 12 Parallel ports

### 12.1 Introduction

The ST10F276Z5 MCU provides up to 111 I/O lines with programmable features. These capabilities bring very flexible adaptation of this MCU to wide range of applications.

The ST10F276Z5 has nine groups of I/O lines gathered as follows:

- Port 0 is a two time 8-bit port named P0L (Low as less significant byte) and P0H (high as most significant byte)
- Port 1 is a two time 8-bit port named P1L and P1H
- Port 2 is a 16-bit port
- Port 3 is a 15-bit port (P3.14 line is not implemented)
- Port 4 is a 8-bit port
- Port 5 is a 16-bit port input only
- Port 6, Port 7 and Port 8 are 8-bit ports

These ports may be used as general purpose bidirectional input or output, software controlled with dedicated registers.

For example, the output drivers of six of the ports (2, 3, 4, 6, 7, 8) can be configured (bit-wise) for push-pull or open drain operation using ODPx registers.

The input threshold levels are programmable (TTL/CMOS) for all the ports. The logic level of a pin is clocked into the input latch once per state time, regardless whether the port is configured for input or output. The threshold is selected with PICON and XPICON registers control bits.

A write operation to a port pin configured as an input causes the value to be written into the port output latch, while a read operation returns the latched state of the pin itself. A read-modify-write operation reads the value of the pin, modifies it, and writes it back to the output latch.

Writing to a pin configured as an output (DPx.y='1') causes the output latch and the pin to have the written value, since the output buffer is enabled. Reading this pin returns the value of the output latch. A read-modify-write operation reads the value of the output latch, modifies it, and writes it back to the output latch, thus also modifying the level at the pin.

I/O lines support an alternate function which is detailed in the following description of each port.

## 12.2 I/Os special features

### 12.2.1 Open drain mode

Some of the I/O ports of ST10F276Z5 support the open drain capability. This programmable feature may be used with an external pull-up resistor, in order to get an AND wired logical function.

This feature is implemented for ports P2, P3, P4, P6, P7 and P8 (see respective sections), and is controlled through the respective Open Drain Control Registers ODPx.

### 12.2.2 Input threshold control

The standard inputs of the ST10F276Z5 determine the status of input signals according to TTL levels. In order to accept and recognize noisy signals, CMOS input thresholds can be selected instead of the standard TTL thresholds for all the pins. These CMOS thresholds are defined above the TTL thresholds and feature a higher hysteresis to prevent the inputs from toggling while the respective input signal level is near the thresholds.

The Port Input Control registers PICON and XPICON are used to select these thresholds for each Byte of the indicated ports, this means the 8-bit ports P0L, P0H, P1L, P1H, P4, P7 and P8 are controlled by one bit each while ports P2, P3 and P5 are controlled by two bits each.

All options for individual direction and output mode control are available for each pin, independent of the selected input threshold.

## 12.3 Alternate port functions

Each port line has one associated programmable alternate input or output function.

- PORT0 and PORT1 may be used as address and data lines when accessing external memory. Besides, PORT1 provides also:
  - Input capture lines
  - 8 additional analog input channels to the A/D converter
- Port 2, Port 7 and Port 8 are associated with the capture inputs or compare outputs of the CAPCOM units and/or with the outputs of the PWM0 module, of the PWM1 module and of the ASC1.  
Port 2 is also used for fast external interrupt inputs and for timer 7 input.
- Port 3 includes the alternate functions of timers, serial interfaces, the optional bus control signal  $\overline{\text{BHE}}$  and the system clock output (CLKOUT).
- Port 4 outputs the additional segment address bit A23...A16 in systems where more than 64 Kbytes of memory are to be access directly. In addition, CAN1, CAN2 and I<sup>2</sup>C lines are provided.
- Port 5 is used as analog input channels of the A/D converter or as timer control signals.
- Port 6 provides optional bus arbitration signals ( $\overline{\text{BREQ}}$ ,  $\overline{\text{HLDA}}$ ,  $\overline{\text{HOLD}}$ ) and chip select signals and the SSC1 lines.

If the alternate output function of a pin is to be used, the direction of this pin must be programmed for output (DPx.y='1'), except for some signals that are used directly after reset and are configured automatically. Otherwise the pin remains in the high-impedance state and is not effected by the alternate output function. The respective port latch should hold a

'1', because its output is ANDed with the alternate output data (except for PWM output signals).

If the alternate input function of a pin is used, the direction of the pin must be programmed for input (DPx.y='0') if an external device is driving the pin. The input direction is the default after reset. If no external device is connected to the pin, however, one can also set the direction for this pin to output. In this case, the pin reflects the state of the port output latch. Thus, the alternate input function reads the value stored in the port output latch. This can be used for testing purposes to allow a software trigger of an alternate input function by writing to the port output latch.

On most of the port lines, the user software is responsible for setting the proper direction when using an alternate input or output function of a pin.

This is done by setting or clearing the direction control bit DPx.y of the pin before enabling the alternate function.

There are port lines, however, where the direction of the port line is switched automatically.

For instance, in the multiplexed external bus modes of PORT0, the direction must be switched several times for an instruction fetch in order to output the addresses and to input the data.

Obviously, this cannot be done through instructions. In these cases, the direction of the port line is switched automatically by hardware if the alternate function of such a pin is enabled.

To determine the appropriate level of the port output latches check how the alternate data output is combined with the respective port latch output.

There is one basic structure for all port lines with only an alternate input function. Port lines with only an alternate output function, however, have different structures due to the way the direction of the pin is switched and depending on whether the pin is accessible by the user software or not in the alternate function mode.

All port lines that are not used for these alternate functions may be used as general purpose I/O lines.

## 13 A/D converter

A 10-bit A/D converter with 16+8 multiplexed input channels and a sample and hold circuit is integrated on-chip. An automatic self-calibration adjusts the A/D converter module to process parameter variations at each reset event. The sample time (for loading the capacitors) and the conversion time is programmable and can be adjusted to the external circuitry.

The ST10F276Z5 has 16+8 multiplexed input channels on Port 5 and Port 1. The selection between Port 5 and Port 1 is made via a bit in a XBus register. Refer to the User Manual for a detailed description.

A different accuracy is guaranteed (Total Unadjusted Error) on Port 5 and Port 1 analog channels (with higher restrictions when overload conditions occur); in particular, Port 5 channels are more accurate than the Port 1 ones. Refer to Electrical Characteristic section for details.

The A/D converter input bandwidth is limited by the achievable accuracy: supposing a maximum error of 0.5LSB (2mV) impacting the global TUE (TUE depends also on other causes), in worst case of temperature and process, the maximum frequency for a sine wave analog signal is around 7.5 kHz. Of course, to reduce the effect of the input signal variation on the accuracy down to 0.05LSB, the maximum input frequency of the sine wave shall be reduced to 800 Hz.

If static signal is applied during sampling phase, series resistance shall not be greater than 20k $\Omega$  (this taking into account eventual input leakage). It is suggested to not connect any capacitance on analog input pins, in order to reduce the effect of charge partitioning (and consequent voltage drop error) between the external and the internal capacitance: in case an RC filter is necessary the external capacitance must be greater than 10 nF to minimize the accuracy impact.

Overrun error detection / protection is controlled by the ADDAT register. Either an interrupt request is generated when the result of a previous conversion has not been read from the result register at the time the next conversion is complete, or the next conversion is suspended until the previous result has been read. For applications which require less than 16+8 analog input channels, the remaining channel inputs can be used as digital input port pins.

The A/D converter of the ST10F276Z5 supports different conversion modes:

- **Single channel single conversion:** The analog level of the selected channel is sampled once and converted. The result of the conversion is stored in the ADDAT register.
- **Single channel continuous conversion:** The analog level of the selected channel is repeatedly sampled and converted. The result of the conversion is stored in the ADDAT register.
- **Auto scan single conversion:** The analog level of the selected channels are sampled once and converted. After each conversion the result is stored in the ADDAT register. The data can be transferred to the RAM by interrupt software management or using the powerful Peripheral Event Controller (PEC) data transfer.
- **Auto scan continuous conversion:** The analog level of the selected channels are repeatedly sampled and converted. The result of the conversion is stored in the ADDAT

register. The data can be transferred to the RAM by interrupt software management or using the PEC data transfer.

- **Wait for ADDAT read mode:** When using continuous modes, in order to avoid to overwrite the result of the current conversion by the next one, the ADWR bit of ADCON control register must be activated. Then, until the ADDAT register is read, the new result is stored in a temporary buffer and the conversion is on hold.
- **Channel injection mode:** When using continuous modes, a selected channel can be converted in between without changing the current operating mode. The 10-bit data of the conversion are stored in ADRES field of ADDAT2. The current continuous mode remains active after the single conversion is completed.

A full calibration sequence is performed after a reset. This full calibration lasts up to 40.630 CPU clock cycles. During this time, the busy flag ADBSY is set to indicate the operation. It compensates the capacitance mismatch, so the calibration procedure does not need any update during normal operation.

No conversion can be performed during this time: the bit ADBSY shall be polled to verify when the calibration is over, and the module is able to start a conversion.

## 14 Serial channels

Serial communication with other microcontrollers, microprocessors, terminals or external peripheral components is provided by up to four serial interfaces: two asynchronous / synchronous serial channels (ASC0 and ASC1) and two high-speed synchronous serial channel (SSC0 and SSC1). Dedicated Baud rate generators set up all standard Baud rates without the requirement of oscillator tuning. For transmission, reception and erroneous reception, separate interrupt vectors are provided for ASC0 and SSC0 serial channel. A more complex mechanism of interrupt sources multiplexing is implemented for ASC1 and SSC1 (XBUS mapped).

### 14.1 Asynchronous / synchronous serial interfaces

The asynchronous / synchronous serial interfaces (ASC0 and ASC1) provides serial communication between the ST10F276Z5 and other microcontrollers, microprocessors or external peripherals.

### 14.2 ASCx in asynchronous mode

In asynchronous mode, 8- or 9-bit data transfer, parity generation and the number of stop bits can be selected. Parity framing and overrun error detection is provided to increase the reliability of data transfers. Transmission and reception of data is double-buffered. Full-duplex communication up to 2M Bauds (at 64 MHz of  $f_{CPU}$ ) is supported in this mode.

**Table 53. ASC asynchronous baud rates by reload value and deviation errors ( $f_{CPU} = 40$  MHz)**

S0BRS = '0', $f_{CPU} = 40$ MHz			S0BRS = '1', $f_{CPU} = 40$ MHz		
Baud rate (Baud)	Deviation error	Reload value (hex)	Baud rate (Baud)	Deviation Error	Reload value (hex)
1 250 000	0.0% / 0.0%	0000 / 0000	833 333	0.0% / 0.0%	0000 / 0000
112 000	+1.5% / -7.0%	000A / 000B	112 000	+6.3% / -7.0%	0006 / 0007
56 000	+1.5% / -3.0%	0015 / 0016	56 000	+6.3% / -0.8%	000D / 000E
38 400	+1.7% / -1.4%	001F / 0020	38 400	+3.3% / -1.4%	0014 / 0015
19 200	+0.2% / -1.4%	0040 / 0041	19 200	+0.9% / -1.4%	002A / 002B
9 600	+0.2% / -0.6%	0081 / 0082	9 600	+0.9% / -0.2%	0055 / 0056
4 800	+0.2% / -0.2%	0103 / 0104	4 800	+0.4% / -0.2%	00AC / 00AD
2 400	+0.2% / 0.0%	0207 / 0208	2 400	+0.1% / -0.2%	015A / 015B
1 200	0.1% / 0.0%	0410 / 0411	1 200	+0.1% / -0.1%	02B5 / 02B6
600	0.0% / 0.0%	0822 / 0823	600	+0.1% / 0.0%	056B / 056C
300	0.0% / 0.0%	1045 / 1046	300	0.0% / 0.0%	0AD8 / 0AD9
153	0.0% / 0.0%	1FE8 / 1FE9	102	0.0% / 0.0%	1FE8 / 1FE9



**Table 54. ASC asynchronous baud rates by reload value and deviation errors ( $f_{CPU} = 64$  MHz)**

S0BRS = '0', $f_{CPU} = 64$ MHz			S0BRS = '1', $f_{CPU} = 64$ MHz		
Baud rate (Baud)	Deviation error	Reload value (hex)	Baud rate (Baud)	Deviation error	Reload value (hex)
2 000 000	0.0% / 0.0%	0000 / 0000	1 333 333	0.0% / 0.0%	0000 / 0000
112 000	+1.5% / -7.0%	0010 / 0011	112 000	+6.3% / -7.0%	000A / 000B
56 000	+1.5% / -3.0%	0022 / 0023	56 000	+6.3% / -0.8%	0016 / 0017
38 400	+1.7% / -1.4%	0033 / 0034	38 400	+3.3% / -1.4%	0021 / 0022
19 200	+0.2% / -1.4%	0067 / 0068	19 200	+0.9% / -1.4%	0044 / 0045
9 600	+0.2% / -0.6%	00CF / 00D0	9 600	+0.9% / -0.2%	0089 / 008A
4 800	+0.2% / -0.2%	019F / 01A0	4 800	+0.4% / -0.2%	0114 / 0115
2 400	+0.2% / 0.0%	0340 / 0341	2 400	+0.1% / -0.2%	022A / 015B
1 200	0.1% / 0.0%	0681 / 0682	1 200	+0.1% / -0.1%	0456 / 0457
600	0.0% / 0.0%	0D04 / 0D05	600	+0.1% / 0.0%	08AD / 08AE
300	0.0% / 0.0%	1A09 / 1A0A	300	0.0% / 0.0%	115B / 115C
245	0.0% / 0.0%	1FE2 / 1FE3	163	0.0% / 0.0%	1FF2 / 1FF3

Note: The deviation errors given in the [Table 53](#) and [Table 54](#) are rounded. To avoid deviation errors use a Baud rate crystal (providing a multiple of the ASC0 sampling frequency).

### 14.3 ASCx in synchronous mode

In synchronous mode, data is transmitted or received synchronously to a shift clock which is generated by the ST10F276Z5. Half-duplex communication up to 8M Baud (at 40 MHz of  $f_{CPU}$ ) is possible in this mode.

**Table 55. ASC synchronous baud rates by reload value and deviation errors ( $f_{CPU} = 40$  MHz)**

S0BRS = '0', $f_{CPU} = 40$ MHz			S0BRS = '1', $f_{CPU} = 40$ MHz		
Baud rate (Baud)	Deviation error	Reload value (hex)	Baud rate (Baud)	Deviation error	Reload value (hex)
5 000 000	0.0% / 0.0%	0000 / 0000	3 333 333	0.0% / 0.0%	0000 / 0000
112 000	+1.5% / -0.8%	002B / 002C	112 000	+2.6% / -0.8%	001C / 001D
56 000	+0.3% / -0.8%	0058 / 0059	56 000	+0.9% / -0.8%	003A / 003B
38 400	+0.2% / -0.6%	0081 / 0082	38 400	+0.9% / -0.2%	0055 / 0056
19 200	+0.2% / -0.2%	0103 / 0104	19 200	+0.4% / -0.2%	00AC / 00AD
9 600	+0.2% / 0.0%	0207 / 0208	9 600	+0.1% / -0.2%	015A / 015B
4 800	+0.1% / 0.0%	0410 / 0411	4 800	+0.1% / -0.1%	02B5 / 02B6
2 400	0.0% / 0.0%	0822 / 0823	2 400	+0.1% / 0.0%	056B / 056C
1 200	0.0% / 0.0%	1045 / 1046	1 200	0.0% / 0.0%	0AD8 / 0AD9

**Table 55. ASC synchronous baud rates by reload value and deviation errors ( $f_{CPU} = 40$  MHz)**

S0BRS = '0', $f_{CPU} = 40$ MHz			S0BRS = '1', $f_{CPU} = 40$ MHz		
Baud rate (Baud)	Deviation error	Reload value (hex)	Baud rate (Baud)	Deviation error	Reload value (hex)
900	0.0% / 0.0%	15B2 / 15B3	600	0.0% / 0.0%	15B2 / 15B3
612	0.0% / 0.0%	1FE8 / 1FE9	407	0.0% / 0.0%	1FFD / 1FFE

**Table 56. ASC synchronous baud rates by reload value and deviation errors ( $f_{CPU} = 64$  MHz)**

S0BRS = '0', $f_{CPU} = 64$ MHz			S0BRS = '1', $f_{CPU} = 64$ MHz		
Baud rate (Baud)	Deviation error	Reload value (hex)	Baud rate (Baud)	Deviation error	Reload value (hex)
8 000 000	0.0% / 0.0%	0000 / 0000	5 333 333	0.0% / 0.0%	0000 / 0000
112 000	+0.6% / -0.8%	0046 / 0047	112 000	+1.3% / -0.8%	002E / 002F
56 000	+0.6% / -0.1%	008D / 008E	56 000	+0.3% / -0.8%	005E / 005F
38 400	+0.2% / -0.3%	00CF / 00D0	38 400	+0.6% / -0.1%	0089 / 008A
19 200	+0.2% / -0.1%	019F / 01A0	19 200	+0.3% / -0.1%	0114 / 0115
9 600	+0.0% / -0.1%	0340 / 0341	9 600	+0.1% / -0.1%	022A / 022B
4 800	0.0% / 0.0%	0681 / 0682	4 800	0.0% / -0.1%	0456 / 0457
2 400	0.0% / 0.0%	0D04 / 0D05	2 400	0.0% / 0.0%	08AD / 08AE
1 200	0.0% / 0.0%	1A09 / 1A0A	1 200	0.0% / 0.0%	115B / 115C
977	0.0% / 0.0%	1FFB / 1FFC	900	0.0% / 0.0%	1724 / 1725
			652	0.0% / 0.0%	1FF2 / 1FF3

Note: The deviation errors given in the [Table 55](#) and [Table 56](#) are rounded. To avoid deviation errors use a Baud rate crystal (providing a multiple of the ASC0 sampling frequency)

## 14.4 High speed synchronous serial interfaces

The High-Speed Synchronous Serial Interfaces (SSC0 and SSC1) provides flexible high-speed serial communication between the ST10F276Z5 and other microcontrollers, microprocessors or external peripherals.

The SSCx supports full-duplex and half-duplex synchronous communication. The serial clock signal can be generated by the SSCx itself (master mode) or be received from an external master (slave mode). Data width, shift direction, clock polarity and phase are programmable.

This allows communication with SPI-compatible devices. Transmission and reception of data is double-buffered. A 16-bit Baud rate generator provides the SSCx with a separate serial clock signal. The serial channel SSCx has its own dedicated 16-bit Baud rate generator with 16-bit reload capability, allowing Baud rate generation independent from the timers.

[Table 57](#) and [Table 58](#) list some possible Baud rates against the required reload values and the resulting bit times for 40 MHz and 64 MHz CPU clock respectively. The maximum is anyway limited to 8Mbaud.

**Table 57. Synchronous baud rate and reload values ( $f_{\text{CPU}} = 40 \text{ MHz}$ )**

Baud rate	Bit Time	Reload value
Reserved	---	0000h
Can be used only with $f_{\text{CPU}} = 32 \text{ MHz}$ (or lower)	---	0001h
6.6M Baud	150 ns	0002h
5M Baud	200 ns	0003h
2.5M Baud	400 ns	0007h
1M Baud	1 $\mu\text{s}$	0013h
100K Baud	10 $\mu\text{s}$	00C7h
10K Baud	100 $\mu\text{s}$	07CFh
1K Baud	1 ms	4E1Fh
306 Baud	3.26 ms	FF4Eh

**Table 58. Synchronous baud rate and reload values ( $f_{\text{CPU}} = 64 \text{ MHz}$ )**

Baud rate	Bit Time	Reload value
Reserved	---	0000h
Can be used only with $f_{\text{CPU}} = 32 \text{ MHz}$ (or lower)	---	0001h
Can be used only with $f_{\text{CPU}} = 48 \text{ MHz}$ (or lower)	---	0002h
8M Baud	125 ns	0003h
4M Baud	250 ns	0007h
1M Baud	1 $\mu\text{s}$	001Fh
100K Baud	10 $\mu\text{s}$	013Fh
10K Baud	100 $\mu\text{s}$	0C7Fh
1K Baud	1 ms	7CFFh
489 Baud	2.04 ms	FF9Eh

## 15 I<sup>2</sup>C interface

The integrated I<sup>2</sup>C Bus Module handles the transmission and reception of frames over the two-line SDA/SCL in accordance with the I<sup>2</sup>C Bus specification. The I<sup>2</sup>C Module can operate in slave mode, in master mode or in multi-master mode. It can receive and transmit data using 7-bit or 10-bit addressing. Data can be transferred at speeds up to 400 Kbit/s (both Standard and Fast I<sup>2</sup>C bus modes are supported).

The module can generate three different types of interrupt:

- Requests related to bus events, like start or stop events, arbitration lost, etc.
- Requests related to data transmission
- Requests related to data reception

These requests are issued to the interrupt controller by three different lines, and identified as Error, Transmit, and Receive interrupt lines.

When the I<sup>2</sup>C module is enabled by setting bit XI2CEN in XPERCON register, pins P4.4 and P4.7 (where SCL and SDA are respectively mapped as alternate functions) are automatically configured as bidirectional open-drain: the value of the external pull-up resistor depends on the application. P4, DP4 and ODP4 cannot influence the pin configuration.

When the I<sup>2</sup>C cell is disabled (clearing bit XI2CEN), P4.4 and P4.7 pins are standard I/O controlled by P4, DP4 and ODP4.

The speed of the I<sup>2</sup>C interface may be selected between Standard mode (0 to 100 kHz) and Fast I<sup>2</sup>C mode (100 to 400 kHz).

## 16 CAN modules

The two integrated CAN modules (CAN1 and CAN2) are identical and handle the completely autonomous transmission and reception of CAN frames according to the CAN specification V2.0 part B (active). It is based on the C-CAN specification.

Each on-chip CAN module can receive and transmit standard frames with 11-bit identifiers as well as extended frames with 29-bit identifiers.

Because of duplication of the CAN controllers, the following adjustments are to be considered:

- Same internal register addresses of both CAN controllers, but with base addresses differing in address bit A8; separate chip select for each CAN module. Refer to [Chapter 4: Internal Flash memory](#).
- The CAN1 transmit line (CAN1\_TxD) is the alternate function of the Port P4.6 pin and the receive line (CAN1\_RxD) is the alternate function of the Port P4.5 pin.
- The CAN2 transmit line (CAN2\_TxD) is the alternate function of the Port P4.7 pin and the receive line (CAN2\_RxD) is the alternate function of the Port P4.4 pin.
- Interrupt request lines of the CAN1 and CAN2 modules are connected to the XBUS interrupt lines together with other X-Peripherals sharing the four vectors.
- The CAN modules must be selected with corresponding CANxEN bit of XPERCON register before the bit XPEN of SYSCON register is set.
- The reset default configuration is: CAN1 enabled, CAN2 disabled.

*Note:* If one or both CAN modules is used, Port 4 cannot be programmed to output all 8 segment address lines. Thus, only four segment address lines can be used, reducing the external memory space to 5 Mbytes (1 Mbyte per  $\overline{CS}$  line).

### 16.1 Configuration support

It is possible that both CAN controllers are working on the same CAN bus, supporting together up to 64 message objects. In this configuration, both receive signals and both transmit signals are linked together when using the same CAN transceiver. This configuration is especially supported by providing open drain outputs for the CAN1\_TxD and CAN2\_TxD signals. The open drain function is controlled with the ODP4 register for port P4: in this way it is possible to connect together P4.4 with P4.5 (receive lines) and P4.6 with P4.7 (transmit lines configured to be configured as Open-Drain).

The user is also allowed to map internally both CAN modules on the same pins P4.5 and P4.6. In this way, P4.4 and P4.7 may be used either as general purpose I/O lines, or used for I<sup>2</sup>C interface. This is possible by setting bit CANPAR of XMISC register. To access this register it is necessary to set bit XMISCEN of XPERCON register and bit XPEN of SYSCON register.

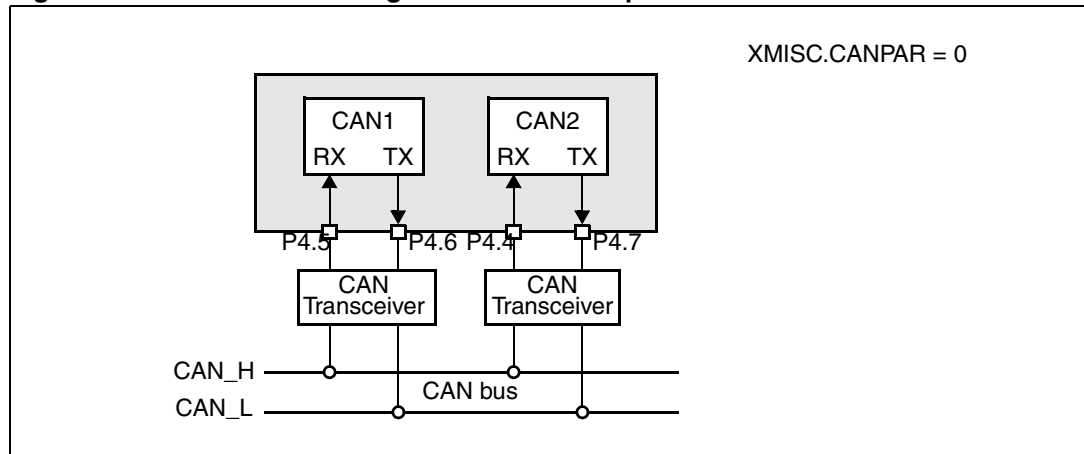
## 16.2 CAN bus configurations

Depending on application, CAN bus configuration may be one single bus with a single or multiple interfaces or a multiple bus with a single or multiple interfaces. The ST10F276Z5 is able to support these two cases.

### Single CAN bus

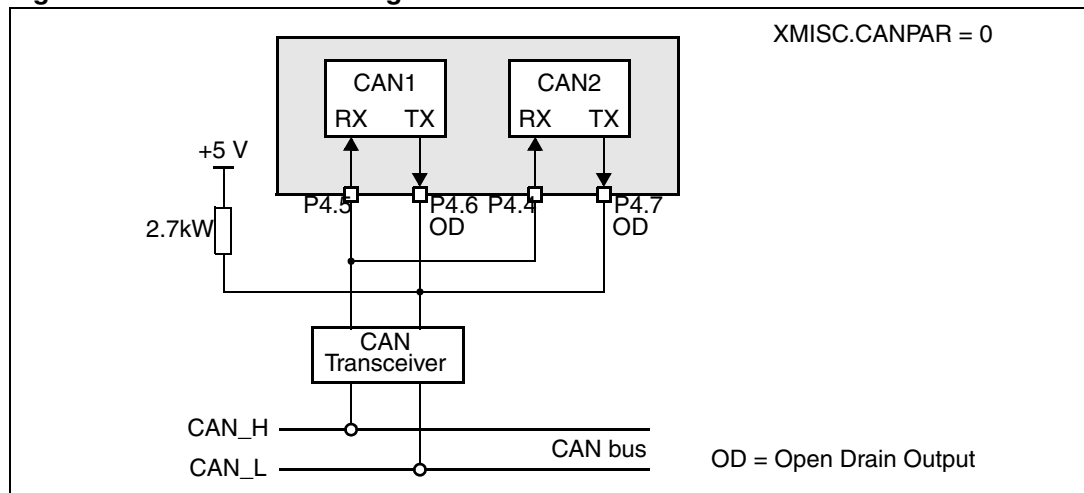
The single CAN Bus multiple interfaces configuration may be implemented using two CAN transceivers as shown in [Figure 20](#).

**Figure 20. Connection to single CAN bus via separate CAN transceivers**



The ST10F276Z5 also supports single CAN Bus multiple (dual) interfaces using the open drain option of the CANx\_TxD output as shown in [Figure 21](#). Thanks to the OR-Wired Connection, only one transceiver is required. In this case the design of the application must take in account the wire length and the noise environment.

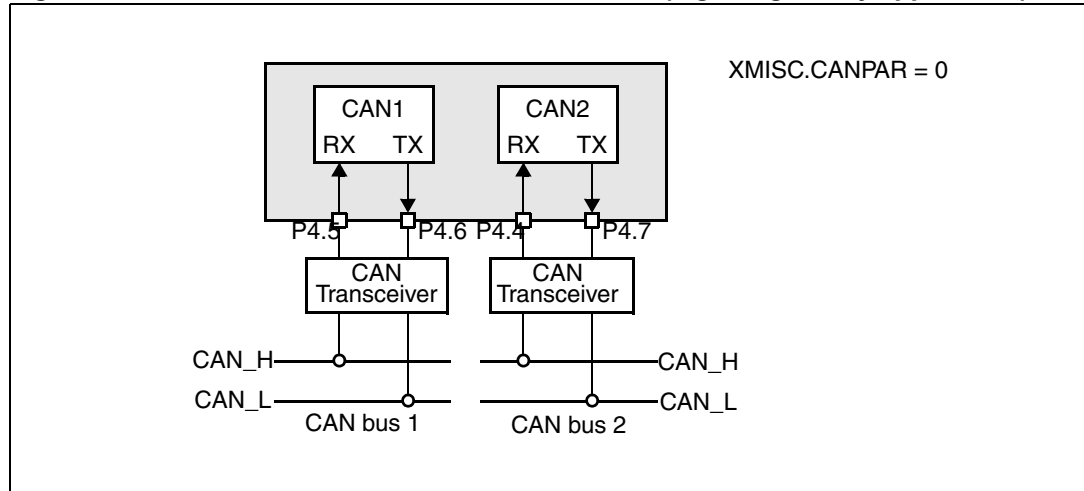
**Figure 21. Connection to single CAN bus via common CAN transceivers**



**Multiple CAN bus**

The ST10F276Z5 provides two CAN interfaces to support such kind of bus configuration as shown in [Figure 22](#).

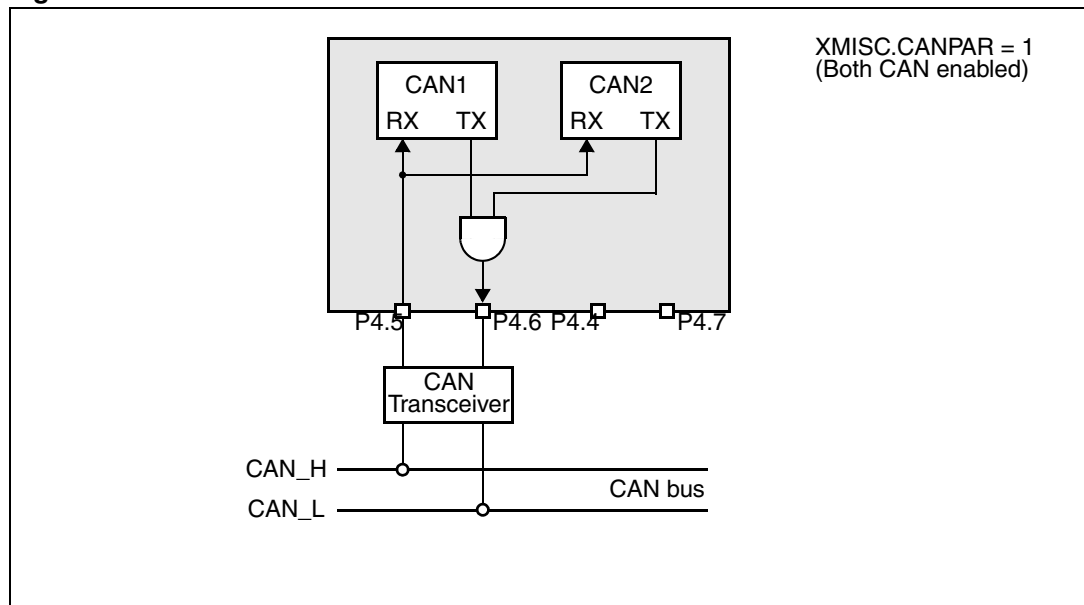
**Figure 22. Connection to two different CAN buses (e.g. for gateway application)**



**Parallel mode**

In addition to previous configurations, a parallel mode is supported. This is shown in [Figure 23](#).

**Figure 23. Connection to one CAN bus with internal Parallel mode enabled**



1. P4.4 and P4.7 when not used as CAN functions can be used as general purpose I/O while they cannot be used as external bus address lines.

## 17 Real-time clock

The real-time clock is an independent timer, in which the clock is derived directly from the clock oscillator on XTAL1 (main oscillator) input or XTAL3 input (32 kHz low-power oscillator) so that it can be kept on running even in Idle or Power-down mode (if enabled to). Registers access is implemented onto the XBUS. This module is designed with the following characteristics:

- Generation of the current time and date for the system
- Cyclic time based interrupt, on Port2 external interrupts every 'RTC basic clock tick' and after  $n$  'RTC basic clock ticks' ( $n$  is programmable) if enabled
- 58-bit timer for long term measurement
- Capability to exit the ST10 chip from Power-down mode (if PWDCFG of SYSCON set) after a programmed delay

The real-time clock is based on two main blocks of counters. The first block is a prescaler which generates a basic reference clock (for example a 1 second period). This basic reference clock is coming out of a 20-bit DIVIDER. This 20-bit counter is driven by an input clock derived from the on-chip CPU clock, pre-divided by a 1/64 fixed counter. This 20-bit counter is loaded at each basic reference clock period with the value of the 20-bit PRESCALER register. The value of the 20-bit RTCP register determines the period of the basic reference clock.

A timed interrupt request (RTCSI) may be sent on each basic reference clock period. The second block of the RTC is a 32-bit counter that may be initialized with the current system time. This counter is driven with the basic reference clock signal. In order to provide an alarm function the contents of the counter is compared with a 32-bit alarm register. The alarm register may be loaded with a reference date. An alarm interrupt request (RTCAI), may be generated when the value of the counter matches the alarm register.

The timed RTCSI and the alarm RTCAI interrupt requests can trigger a fast external interrupt via EXISEL register of port 2 and wake-up the ST10 chip when running Power-down mode. Using the RTCOFF bit of RTCCON register, the user may switch off the clock oscillator when entering the Power-down mode.

The last function implemented in the RTC is to switch off the main on-chip oscillator and the 32 kHz on chip oscillator if the ST10 enters the Power-down mode, so that the chip can be fully switched off (if RTC is disabled).

At power on, and after Reset phase, if the presence of a 32 kHz oscillation on XTAL3 / XTAL4 pins is detected, then the RTC counter is driven by this low frequency reference clock: when Power-down mode is entered, the RTC can either be stopped or left running, and in both the cases the main oscillator is turned off, reducing the power consumption of the device to the minimum required to keep on running the RTC counter and relative reference oscillator. This is valid also if Standby mode is entered (switching off the main supply  $V_{DD}$ ), since both the RTC and the low power oscillator (32 kHz) are biased by the  $V_{STBY}$ . Vice versa, when at power on and after Reset, the 32 kHz is not present, the main oscillator drives the RTC counter, and since it is powered by the main power supply, it cannot be maintained running in Standby mode, while in Power-down mode the main oscillator is maintained running to provide the reference to the RTC module (if not disabled).



## 18 Watchdog timer

The Watchdog Timer is a fail-safe mechanism which prevents the microcontroller from malfunctioning for long periods of time.

The Watchdog Timer is always enabled after a reset of the chip and can only be disabled in the time interval until the EINIT (end of initialization) instruction has been executed.

Therefore, the chip start-up procedure is always monitored. The software must be designed to service the watchdog timer before it overflows. If, due to hardware or software related failures, the software fails to do so, the watchdog timer overflows and generates an internal hardware reset. It pulls the  $\overline{\text{RSTOUT}}$  pin low in order to allow external hardware components to be reset.

Each of the different reset sources is indicated in the WDTCON register:

- Watchdog Timer Reset in case of an overflow
- Software Reset in case of execution of the SRST instruction
- Short, Long and Power-On Reset in case of hardware reset (and depending of reset pulse duration and RPD pin configuration)

The indicated bits are cleared with the EINIT instruction. The source of the reset can be identified during the initialization phase.

The Watchdog Timer is 16-bit, clocked with the system clock divided by 2 or 128. The high Byte of the watchdog timer register can be set to a pre-specified reload value (stored in WDTREL).

Each time it is serviced by the application software, the high byte of the watchdog timer is reloaded. For security, rewrite WDTCON each time before the watchdog timer is serviced

The [Table 59](#) and [Table 60](#) show the watchdog time range for 40 MHz and 64 MHz CPU clock respectively.

**Table 59. WDTREL reload value ( $f_{\text{CPU}} = 40 \text{ MHz}$ )**

Reload value in WDTREL	Prescaler for $f_{\text{CPU}} = 40 \text{ MHz}$	
	2 (WDTIN = '0')	128 (WDTIN = '1')
FFh	12.8 $\mu\text{s}$	819.2 $\mu\text{s}$
00h	3.277 ms	209.7 ms

**Table 60. WDTREL reload value ( $f_{\text{CPU}} = 64 \text{ MHz}$ )**

Reload value in WDTREL	Prescaler for $f_{\text{CPU}} = 64 \text{ MHz}$	
	2 (WDTIN = '0')	128 (WDTIN = '1')
FFh	8 $\mu\text{s}$	512 $\mu\text{s}$
00h	2.048 ms	131.1 ms

## 19 System reset

System reset initializes the MCU in a predefined state. There are six ways to activate a reset state. The system start-up configuration is different for each case as shown in [Table 61](#).

**Table 61. Reset event definition<sup>(1)</sup>**

Reset Source	Flag	RPD Status	Conditions
Power-on reset	PONR	Low	Power-on
Asynchronous Hardware reset	LHWR	Low	(2)
Synchronous Long Hardware reset		High	$t_{\overline{RSTIN}} > (1032 + 12) \text{ TCL} + \max(4 \text{ TCL}, 500 \text{ ns})$
Synchronous Short Hardware reset	SHWR	High	$t_{\overline{RSTIN}} > \max(4 \text{ TCL}, 500 \text{ ns})$ $t_{\overline{RSTIN}} \leq (1032 + 12) \text{ TCL} + \max(4 \text{ TCL}, 500 \text{ ns})$
Watchdog Timer reset	WDTR	(3)	WDT overflow
Software reset	SWR		SRST instruction execution

1. See next [Section 19.1](#) for more details on minimum reset pulse duration.
2.  $\overline{RSTIN}$  pulse should be longer than 500 ns (Filter) and than settling time for configuration of Port0.
3. The RPD status has no influence unless Bidirectional Reset is activated (bit BDRSTEN in SYSCON): RPD low inhibits the Bidirectional reset on SW and WDT reset events, that is  $\overline{RSTIN}$  is not activated (refer to [Section 19.4](#), [Section 19.5](#) and [Section 19.6](#)).

### 19.1 Input filter

On  $\overline{RSTIN}$  input pin an on-chip RC filter is implemented. It is sized to filter all the spikes shorter than 50 ns. On the other side, a valid pulse shall be longer than 500 ns to grant that ST10 recognizes a reset command. In between 50 ns and 500 ns a pulse can either be filtered or recognized as valid, depending on the operating conditions and process variations.

For this reason all minimum durations mentioned in this Chapter for the different kind of reset events shall be carefully evaluated taking into account of the above requirements.

In particular, for Short Hardware Reset, where only 4 TCL is specified as minimum input reset pulse duration, the operating frequency is a key factor. Examples:

- For a CPU clock of 64 MHz, 4 TCL is 31.25 ns, so it would be filtered. In this case the minimum becomes the one imposed by the filter (that is 500 ns).
- For a CPU clock of 4 MHz, 4 TCL is 500 ns. In this case the minimum from the formula is coherent with the limit imposed by the filter.

## 19.2 Asynchronous reset

An asynchronous reset is triggered when  $\overline{\text{RSTIN}}$  pin is pulled low while RPD pin is at low level. Then the device is immediately (after the input filter delay) forced in reset default state. It pulls low  $\overline{\text{RSTOUT}}$  pin, it cancels pending internal hold states if any, it aborts all internal/external bus cycles, it switches buses (data, address and control signals) and I/O pin drivers to high-impedance, it pulls high Port0 pins.

*Note: If an asynchronous reset occurs during a read or write phase in internal memories, the content of the memory itself could be corrupted: to avoid this, synchronous reset usage is strongly recommended.*

### Power-on reset

**The asynchronous reset must be used during the power-on of the device.** Depending on crystal or resonator frequency, the on-chip oscillator needs about 1 to 10 ms to stabilize (Refer to Electrical Characteristics Section), with an already stable  $V_{DD}$ . The logic of the device does not need a stabilized clock signal to detect an asynchronous reset, so it is suitable for power-on conditions. To ensure a proper reset sequence, the  $\overline{\text{RSTIN}}$  pin and the RPD pin must be held at low level until the device clock signal is stabilized and the system configuration value on Port0 is settled.

At Power-on it is important to respect some additional constraints introduced by the start-up phase of the different embedded modules.

In particular the on-chip voltage regulator needs at least 1 ms to stabilize the internal 1.8 V for the core logic: this time is computed from when the external reference ( $V_{DD}$ ) becomes stable (inside specification range, that is at least 4.5 V). This is a constraint for the application hardware (external voltage regulator): the  $\overline{\text{RSTIN}}$  pin assertion shall be extended to guarantee the voltage regulator stabilization.

A second constraint is imposed by the embedded FLASH. When booting from internal memory, starting from  $\overline{\text{RSTIN}}$  releasing, it needs a maximum of 1 ms for its initialization: before that, the internal reset (RST signal) is not released, so the CPU does not start code execution in internal memory.

*Note: This is not true if external memory is used (pin  $\overline{\text{EA}}$  held low during reset phase). In this case, once  $\overline{\text{RSTIN}}$  pin is released, and after few CPU clock (Filter delay plus 3..8 TCL), the internal reset signal RST is released as well, so the code execution can start immediately after. Obviously, an eventual access to the data in internal Flash is forbidden before its initialization phase is completed: an eventual access during starting phase will return FFFFh (just at the beginning), while later 009Bh (an illegal opcode trap can be generated).*

At Power-on, the  $\overline{\text{RSTIN}}$  pin shall be tied low for a minimum time that includes also the start-up time of the main oscillator ( $t_{\text{STUP}} = 1$  ms for resonator, 10 ms for crystal) and PLL synchronization time ( $t_{\text{PSUP}} = 200\mu\text{s}$ ): this means that if the internal FLASH is used, the  $\overline{\text{RSTIN}}$  pin could be released before the main oscillator and PLL are stable to recover some time in the start-up phase (FLASH initialization only needs stable  $V_{18}$ , but does not need stable system clock since an internal dedicated oscillator is used).

---

**Warning: It is recommended to provide the external hardware with a current limitation circuitry. This is necessary to avoid permanent damages of the device during the power-on transient, when the capacitance on  $V_{18}$  pin is charged. For the on-chip voltage regulator functionality 10 nF are**

sufficient: anyway, a maximum of 100 nF on V<sub>18</sub> pin should not generate problems of over-current (higher value is allowed if current is limited by the external hardware). External current limitation is anyway recommended also to avoid risks of damage in case of temporary short between V<sub>18</sub> and ground: the internal 1.8 V drivers are sized to drive currents of several tens of Ampere, so the current shall be limited by the external hardware. The limit of current is imposed by power dissipation considerations (Refer to Electrical Characteristics Section).

---

In next [Figure 24](#) and [Figure 25](#) Asynchronous Power-on timing diagrams are reported, respectively with boot from internal or external memory, highlighting the reset phase extension introduced by the embedded FLASH module when selected.

*Note:* Never power the device without keeping  $\overline{RSTIN}$  pin grounded: the device could enter in unpredictable states, risking also permanent damages.

Figure 24. Asynchronous power-on RESET ( $\overline{EA} = 1$ )

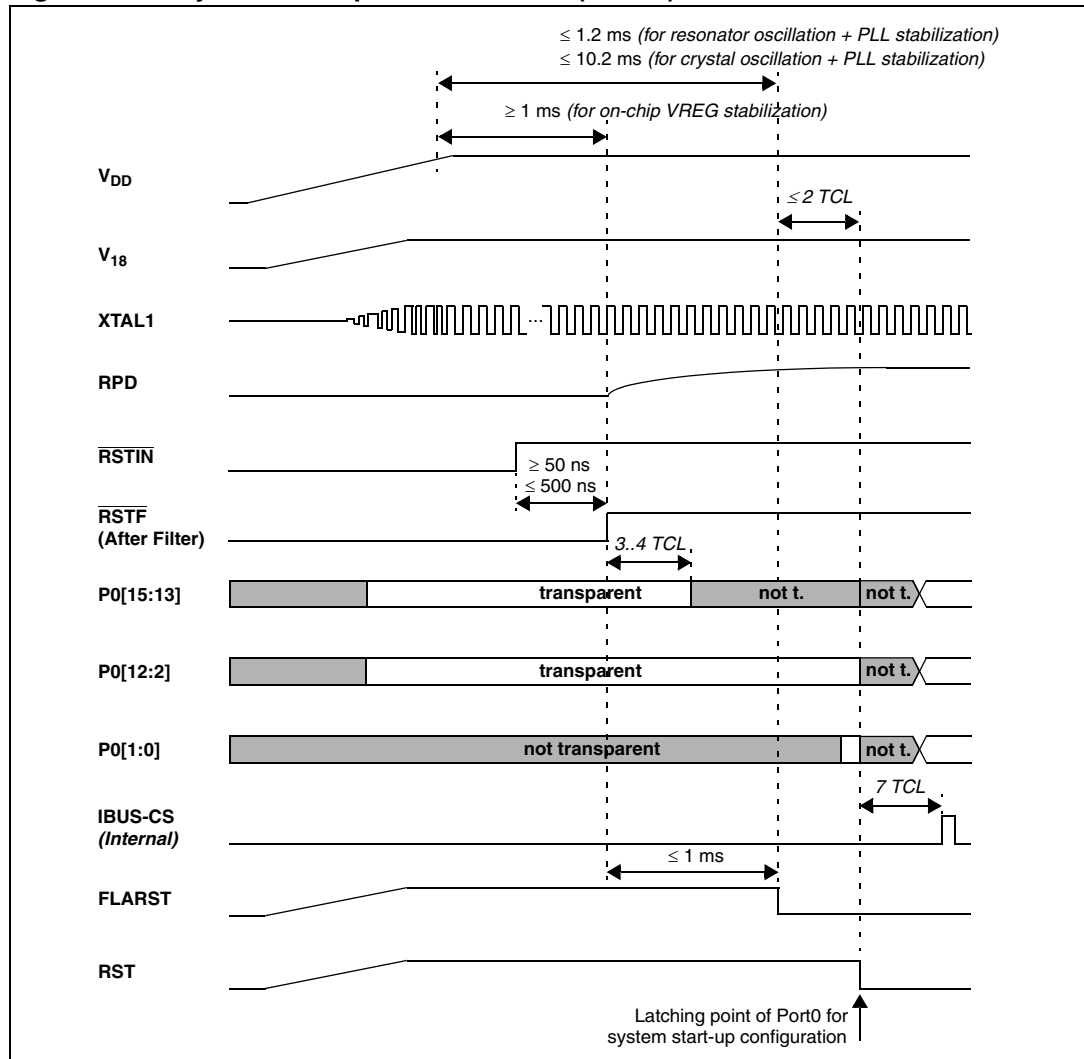
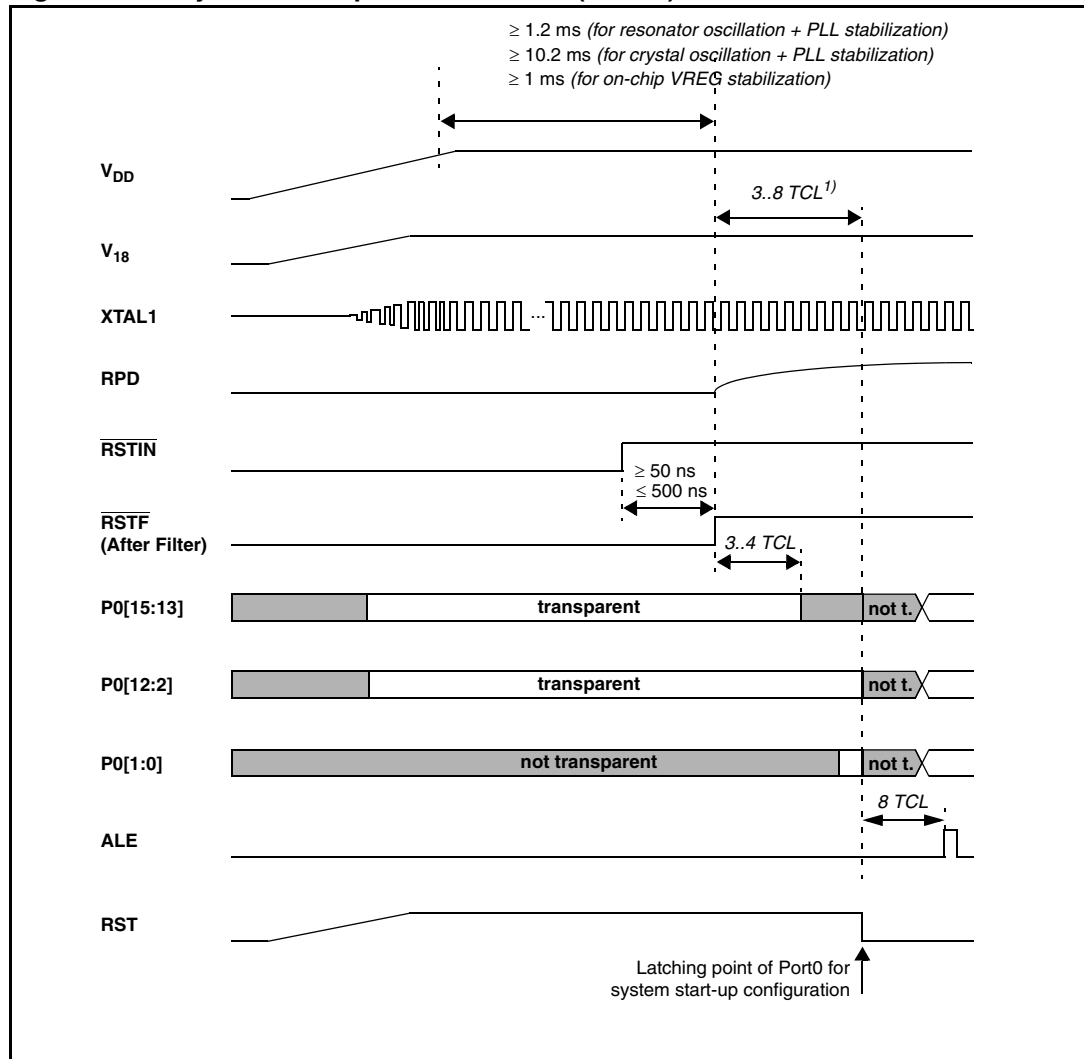


Figure 25. Asynchronous power-on RESET ( $\overline{EA} = 0$ )

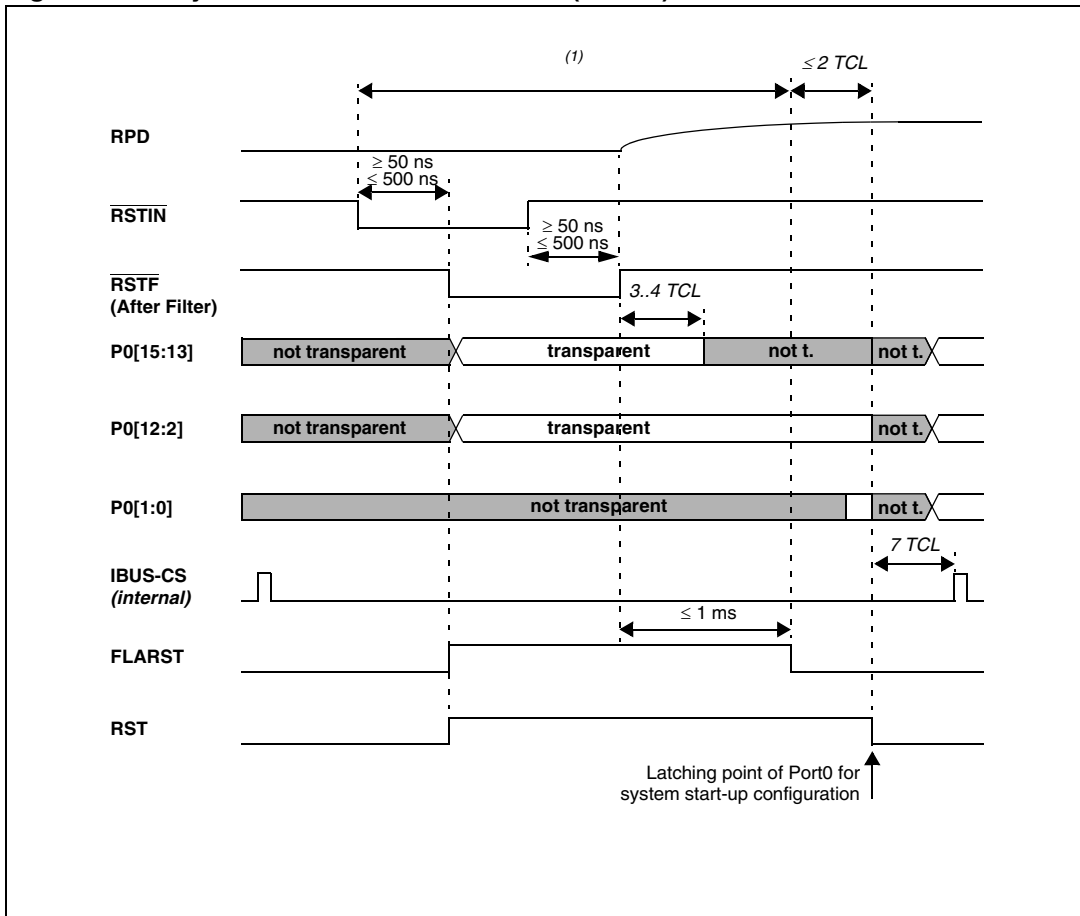


1. 1. 3 to 8 TCL depending on clock source selection.

### Hardware reset

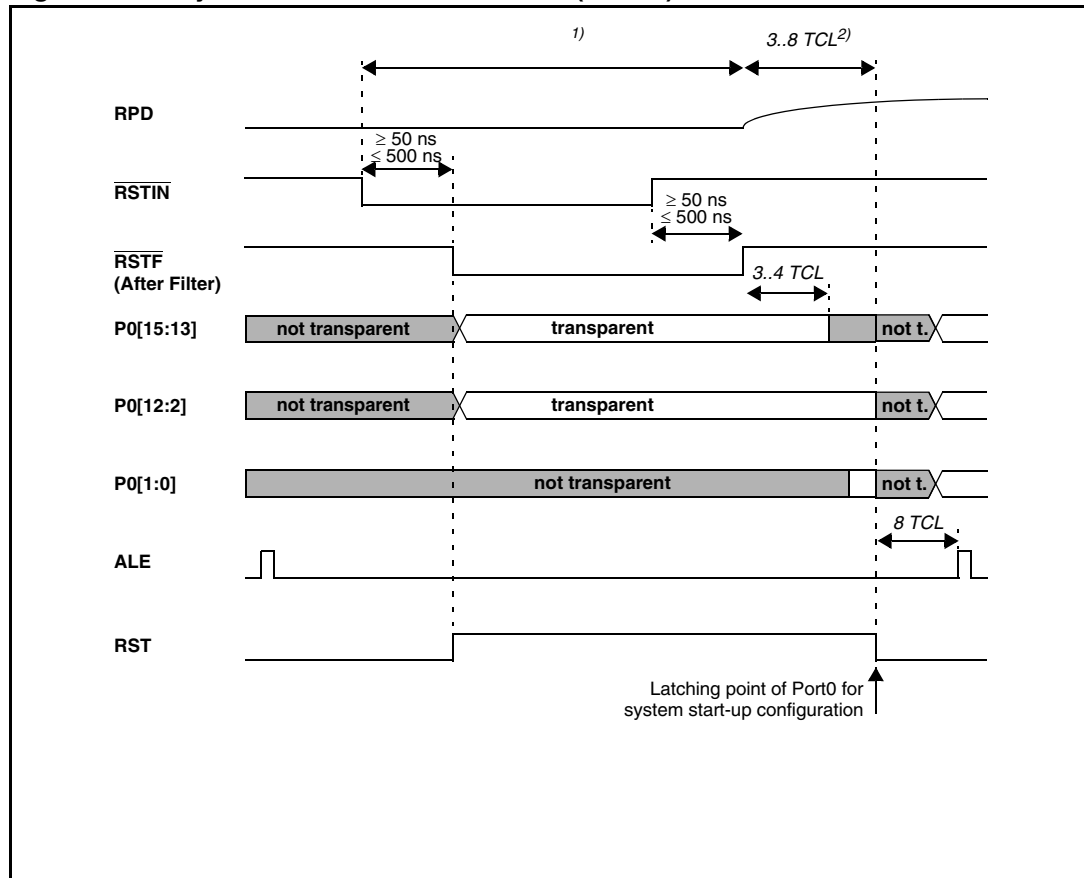
The asynchronous reset must be used to recover from catastrophic situations of the application. It may be triggered by the hardware of the application. Internal hardware logic and application circuitry are described in Reset circuitry chapter and [Figure 37](#), [Figure 38](#) and [Figure 39](#). It occurs when  $\overline{RSTIN}$  is low and RPD is detected (or becomes) low as well.

Figure 26. Asynchronous hardware RESET ( $\overline{EA} = 1$ )



1. This timing can be longer than Port0 settling time + PLL synchronization (if needed, that is P0(15:13) changed). It can be longer than 500 ns to take into account of Input Filter on  $\overline{RSTIN}$  pin

Figure 27. Asynchronous hardware RESET ( $\overline{EA} = 0$ )



1. This timing can be longer than Port0 settling time + PLL synchronization (if needed, that is P0(15:13) changed). It can longer than 500ns to take into account of Input Filter on  $\overline{RSTIN}$  pin.
2. 2. 3 to 8 TCL depending on clock source selection

**Exit from asynchronous reset state**

When the  $\overline{RSTIN}$  pin is pulled high, the device restarts: as already mentioned, if internal FLASH is used, the restarting occurs after the embedded FLASH initialization routine is completed. The system configuration is latched from Port0: ALE,  $\overline{RD}$  and  $\overline{WR/WRL}$  pins are driven to their inactive level. The device starts program execution from memory location 00'0000h in code segment 0. This starting location will typically point to the general initialization routine. Timing of asynchronous Hardware Reset sequence are summarized in [Figure 26](#) and [Figure 27](#).



### 19.3 Synchronous reset (warm reset)

A synchronous reset is triggered when  $\overline{\text{RSTIN}}$  pin is pulled low while RPD pin is at high level. In order to properly activate the internal reset logic of the device, the  $\overline{\text{RSTIN}}$  pin must be held low, at least, during 4 TCL (2 periods of CPU clock): refer also to [Section 19.1](#) for details on minimum reset pulse duration. The I/O pins are set to high impedance and  $\overline{\text{RSTOUT}}$  pin is driven low. After  $\overline{\text{RSTIN}}$  level is detected, a short duration of a maximum of 12 TCL (six periods of CPU clock) elapses, during which pending internal hold states are cancelled and the current internal access cycle if any is completed. External bus cycle is aborted. The internal pull-down of  $\overline{\text{RSTIN}}$  pin is activated if bit BDRSTEN of SYSCON register was previously set by software. Note that this bit is always cleared on power-on or after a reset sequence.

#### Short and long synchronous reset

Once the first maximum 16 TCL are elapsed (4+12TCL), the internal reset sequence starts. It is 1024 TCL cycles long: at the end of it, and after other 8TCL the level of  $\overline{\text{RSTIN}}$  is sampled (after the filter, see  $\overline{\text{RSTF}}$  in the drawings): if it is already at high level, only Short Reset is flagged (Refer to [Chapter 19: System reset](#) for details on reset flags); if it is recognized still low, the Long reset is flagged as well. The major difference between Long and Short reset is that during the Long reset, also P0(15:13) become transparent, so it is possible to change the clock options.

---

**Warning:** In case of a short pulse on  $\overline{\text{RSTIN}}$  pin, and when Bidirectional reset is enabled, the  $\overline{\text{RSTIN}}$  pin is held low by the internal circuitry. At the end of the 1024 TCL cycles, the  $\overline{\text{RSTIN}}$  pin is released, but due to the presence of the input analog filter the internal input reset signal ( $\overline{\text{RSTF}}$  in the drawings) is released later (from 50 to 500 ns). This delay is in parallel with the additional 8 TCL, at the end of which the internal input reset line ( $\overline{\text{RSTF}}$ ) is sampled, to decide if the reset event is Short or Long. In particular:

---

- If  $8 \text{ TCL} > 500 \text{ ns}$  ( $F_{\text{CPU}} < 8 \text{ MHz}$ ), the reset event is always recognized as Short
- If  $8 \text{ TCL} < 500 \text{ ns}$  ( $F_{\text{CPU}} > 8 \text{ MHz}$ ), the reset event could be recognized either as Short or Long, depending on the real filter delay (between 50 and 500 ns) and the CPU frequency ( $\overline{\text{RSTF}}$  sampled High means Short reset,  $\overline{\text{RSTF}}$  sampled Low means Long reset). Note that in case a Long Reset is recognized, once the 8 TCL are elapsed, the P0(15:13) pins becomes transparent, so the system clock can be re-configured. The port returns not transparent 3-4TCL after the internal  $\overline{\text{RSTF}}$  signal becomes high.

The same behavior just described, occurs also when unidirectional reset is selected and  $\overline{\text{RSTIN}}$  pin is held low till the end of the internal sequence (exactly 1024TCL + max 16 TCL) and released exactly at that time.

*Note:* When running with CPU frequency lower than 40 MHz, the minimum valid reset pulse to be recognized by the CPU (4 TCL) could be longer than the minimum analog filter delay (50ns); so it might happen that a short reset pulse is not filtered by the analog input filter, but on the other hand it is not long enough to trigger a CPU reset (shorter than 4 TCL): this would generate a FLASH reset but not a system reset. In this condition, the FLASH answers

always with `FFFFh`, which leads to an illegal opcode and consequently a trap event is generated.

### Exit from synchronous reset state

The reset sequence is extended until  $\overline{\text{RSTIN}}$  level becomes high. Besides, it is internally prolonged by the FLASH initialization when  $\overline{\text{EA}}=1$  (internal memory selected). Then, the code execution restarts. The system configuration is latched from Port0, and ALE,  $\overline{\text{RD}}$  and  $\overline{\text{WR/WRL}}$  pins are driven to their inactive level. The device starts program execution from memory location `00'0000h` in code segment 0. This starting location will typically point to the general initialization routine. Timing of synchronous reset sequence are summarized in Figures 28 and 29 where a Short Reset event is shown, with particular highlighting on the fact that it can degenerate into Long Reset: the two figures show the behavior when booting from internal or external memory respectively. [Figure 30](#) and [Figure 31](#) reports the timing of a typical synchronous Long Reset, again when booting from internal or external memory.

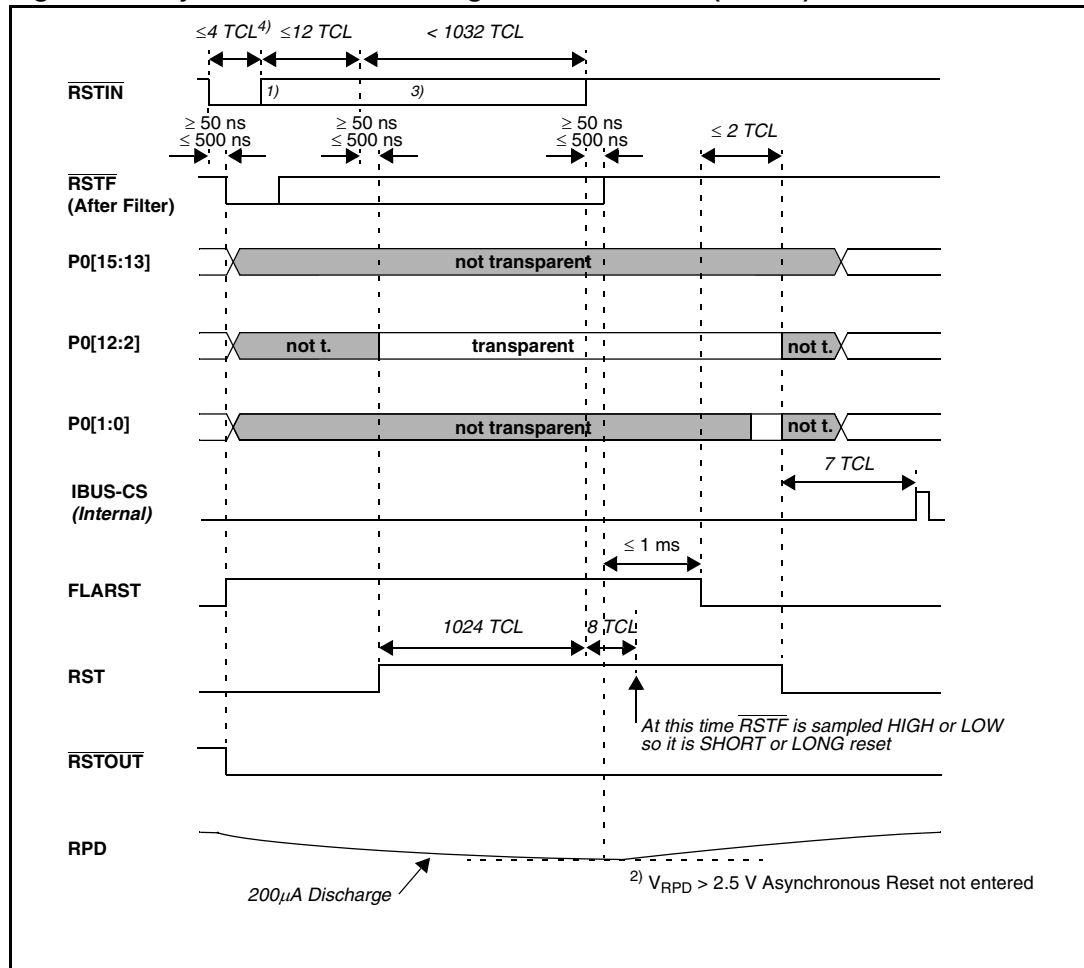
### Synchronous reset and RPD pin

Whenever the  $\overline{\text{RSTIN}}$  pin is pulled low (by external hardware or as a consequence of a Bidirectional reset), the RPD internal weak pull-down is activated. The external capacitance (if any) on RPD pin is slowly discharged through the internal weak pull-down. If the voltage level on RPD pin reaches the input low threshold (around 2.5 V), the reset event becomes immediately asynchronous. In case of hardware reset (short or long) the situation goes immediately to the one illustrated in [Figure 26](#). There is no effect if RPD comes again above the input threshold: the asynchronous reset is completed coherently. To grant the normal completion of a synchronous reset, the value of the capacitance shall be big enough to maintain the voltage on RPD pin sufficient high along the duration of the internal reset sequence.

For a Software or Watchdog reset events, an active synchronous reset is completed regardless of the RPD status.

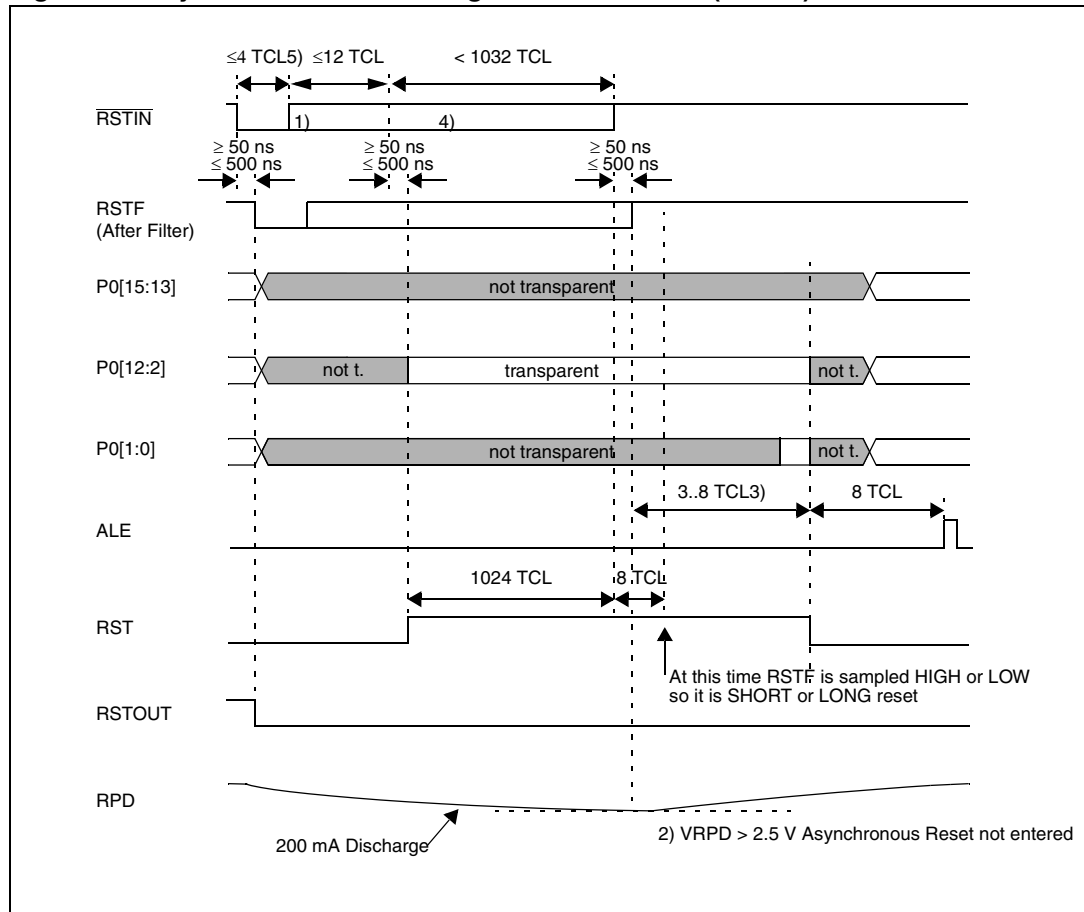
It is important to highlight that the signal that makes RPD status transparent under reset is the internal RSTF (after the noise filter).

Figure 28. Synchronous short / long hardware RESET ( $\overline{EA} = 1$ )



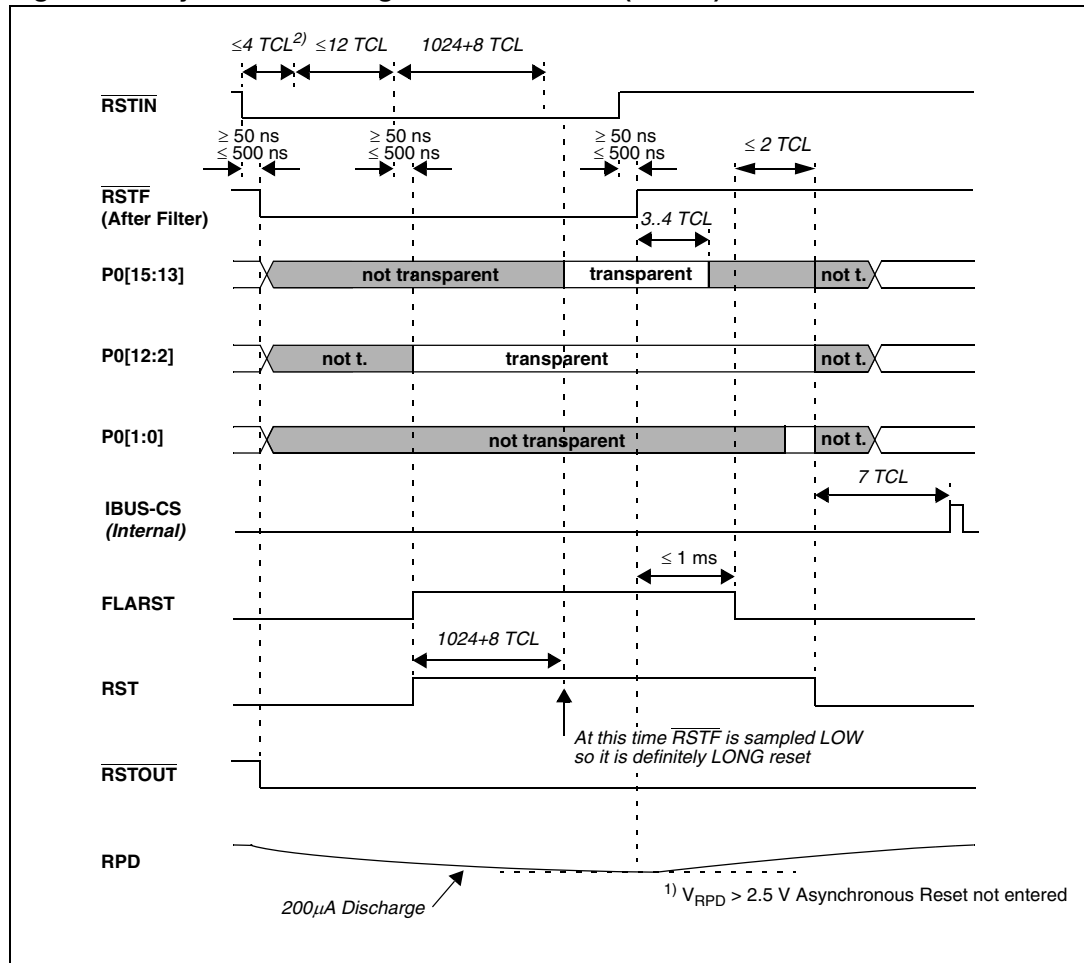
1.  $\overline{RSTIN}$  assertion can be released there. Refer also to Section 21.1 for details on minimum pulse duration.
2. If during the reset condition ( $\overline{RSTIN}$  low), RPD voltage drops below the threshold voltage (about 2.5 V for 5 V operation), the asynchronous reset is then immediately entered.
3.  $\overline{RSTIN}$  pin is pulled low if bit BDRSTEN (bit 3 of SYSCON register) was previously set by software. Bit BDRSTEN is cleared after reset.
4. Minimum  $\overline{RSTIN}$  low pulse duration shall also be longer than 500 ns to guarantee the pulse is not masked by the internal filter (refer to Section 19.6).

Figure 29. Synchronous short / long hardware RESET ( $\overline{EA} = 0$ )



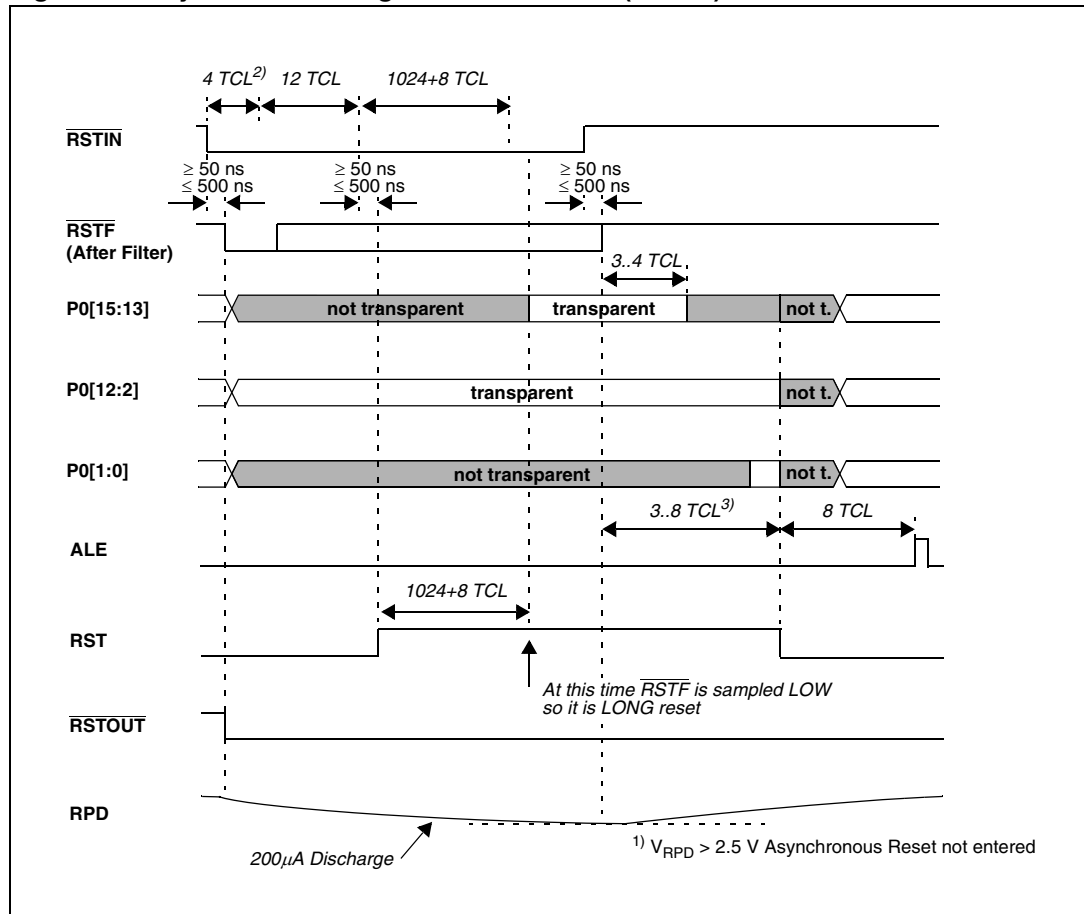
1.  $\overline{RSTIN}$  assertion can be released there. Refer also to Section 21.1 for details on minimum pulse duration.
2. If during the reset condition ( $\overline{RSTIN}$  low), RPD voltage drops below the threshold voltage (about 2.5 V for 5 V operation), the asynchronous reset is then immediately entered.
3. 3 to 8 TCL depending on clock source selection.
4.  $\overline{RSTIN}$  pin is pulled low if bit BDRSTEN (bit 3 of SYSCON register) was previously set by software. Bit BDRSTEN is cleared after reset.
5. Minimum  $\overline{RSTIN}$  low pulse duration shall also be longer than 500ns to guarantee the pulse is not masked by the internal filter (refer to [Section 19.6](#)).

Figure 30. Synchronous long hardware RESET ( $\overline{EA} = 1$ )



1. If during the reset condition ( $\overline{RSTIN}$  low), RPD voltage drops below the threshold voltage (around 2.5 V for 5 V operation), the asynchronous reset is then immediately entered. If RPD returns above the threshold, the reset is definitively taken as asynchronous.
2. Minimum  $\overline{RSTIN}$  low pulse duration shall also be longer than 500ns to guarantee the pulse is not masked by the internal filter (refer to [Section 19.6](#)).

Figure 31. Synchronous long hardware RESET ( $\overline{EA} = 0$ )



1. If during the reset condition ( $\overline{RSTIN}$  low), RPD voltage drops below the threshold voltage (about 2.5 V for 5 V operation), the asynchronous reset is then immediately entered.
2. Minimum  $\overline{RSTIN}$  low pulse duration shall also be longer than 500ns to guarantee the pulse is not masked by the internal filter (refer to [Section 19.6](#)).
3. 3.3 to 8 TCL depending on clock source selection.

## 19.4 Software reset

A software reset sequence can be triggered at any time by the protected SRST (software reset) instruction. This instruction can be deliberately executed within a program, e.g. to leave bootstrap loader mode, or on a hardware trap that reveals system failure.

On execution of the SRST instruction, the internal reset sequence is started. The microcontroller behavior is the same as for a synchronous short reset, except that only bits P0.12...P0.8 are latched at the end of the reset sequence, while previously latched, bits P0.7...P0.2 are cleared (that is written at '1').

A Software reset is always taken as synchronous: there is no influence on Software Reset behavior with RPD status. In case Bidirectional Reset is selected, a Software Reset event pulls  $\overline{\text{RSTIN}}$  pin low: this occurs only if RPD is high; if RPD is low,  $\overline{\text{RSTIN}}$  pin is not pulled low even though Bidirectional Reset is selected.

Refer to [Figure 32](#) and [Figure 33](#) for unidirectional SW reset timing, and to [Figure 34](#), [Figure 35](#) and [Figure 36](#) for bidirectional.

## 19.5 Watchdog timer reset

When the watchdog timer is not disabled during the initialization, or serviced regularly during program execution, it will overflow and trigger the reset sequence.

Unlike hardware and software resets, the watchdog reset completes a running external bus cycle if this bus cycle either does not use  $\overline{\text{READY}}$ , or if  $\overline{\text{READY}}$  is sampled active (low) after the programmed wait states.

When  $\overline{\text{READY}}$  is sampled inactive (high) after the programmed wait states the running external bus cycle is aborted. Then the internal reset sequence is started.

Bit P0.12...P0.8 are latched at the end of the reset sequence and bit P0.7...P0.2 are cleared (that is written at '1').

A Watchdog reset is always taken as synchronous: there is no influence on Watchdog Reset behavior with RPD status. In case Bidirectional Reset is selected, a Watchdog Reset event pulls  $\overline{\text{RSTIN}}$  pin low: this occurs only if RPD is high; if RPD is low,  $\overline{\text{RSTIN}}$  pin is not pulled low even though Bidirectional Reset is selected.

Refer to [Figure 32](#) and [Figure 33](#) for unidirectional SW reset timing, and to [Figure 34](#), [Figure 35](#) and [Figure 36](#) for bidirectional.

Figure 32. SW / WDT unidirectional RESET ( $\overline{EA} = 1$ )

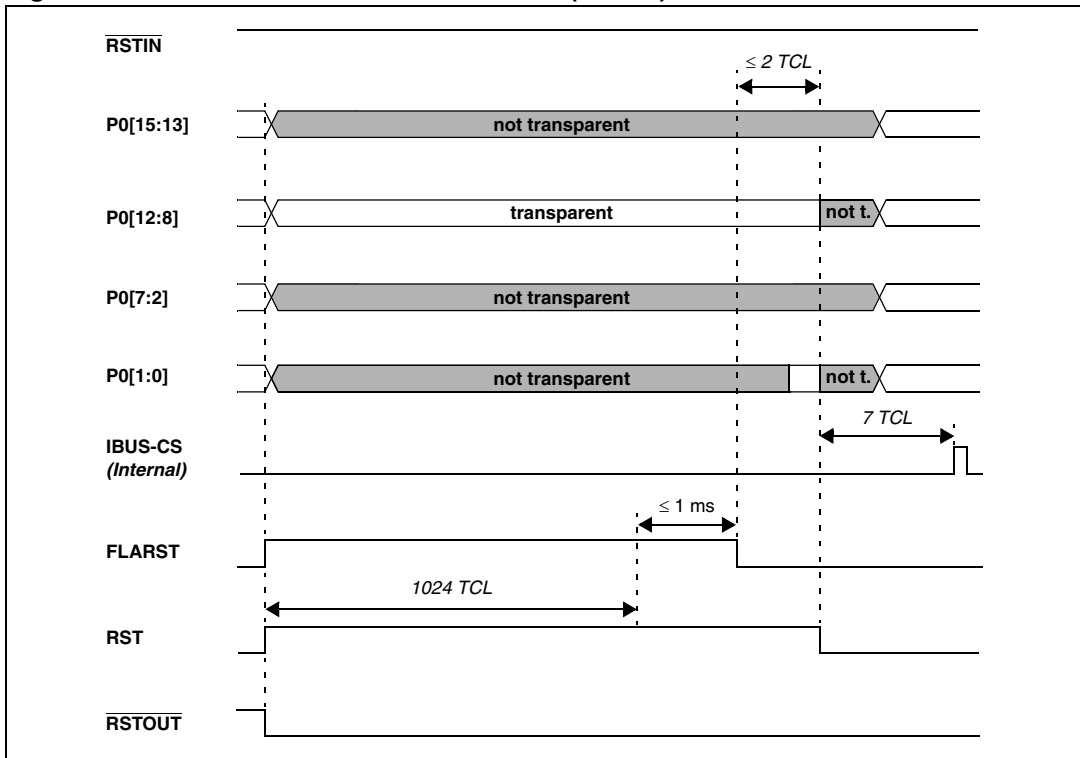
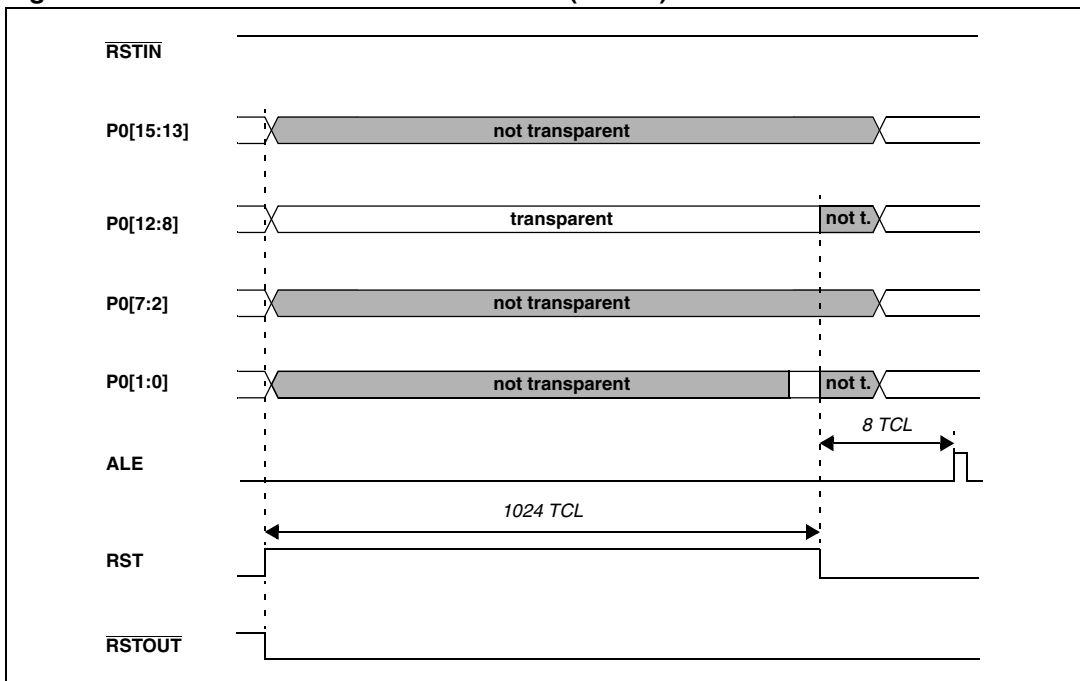


Figure 33. SW / WDT unidirectional RESET ( $\overline{EA} = 0$ )





## 19.6 Bidirectional reset

As shown in the previous sections, the  $\overline{\text{RSTOUT}}$  pin is driven active (low level) at the beginning of any reset sequence (synchronous/asynchronous hardware, software and watchdog timer resets).  $\overline{\text{RSTOUT}}$  pin stays active low beyond the end of the initialization routine, until the protected EINIT instruction (End of Initialization) is completed.

The Bidirectional Reset function is useful when external devices require a reset signal but cannot be connected to  $\overline{\text{RSTOUT}}$  pin, because  $\overline{\text{RSTOUT}}$  signal lasts during initialization. It is, for instance, the case of external memory running initialization routine before the execution of EINIT instruction.

Bidirectional reset function is enabled by setting bit 3 (BDRSTEN) in SYSCON register. It only can be enabled during the initialization routine, before EINIT instruction is completed.

When enabled, the open drain of the  $\overline{\text{RSTIN}}$  pin is activated, pulling down the reset signal, for the duration of the internal reset sequence (synchronous/asynchronous hardware, synchronous software and synchronous watchdog timer resets). At the end of the internal reset sequence the pull down is released and:

- After a Short Synchronous Bidirectional Hardware Reset, if  $\overline{\text{RSTF}}$  is sampled low 8 TCL periods after the internal reset sequence completion (refer to [Figure 28](#) and [Figure 29](#)), the Short Reset becomes a Long Reset. On the contrary, if  $\overline{\text{RSTF}}$  is sampled high the device simply exits reset state.
- After a Software or Watchdog Bidirectional Reset, the device exits from reset. If  $\overline{\text{RSTF}}$  remains still low for at least 4 TCL periods (minimum time to recognize a Short Hardware reset) after the reset exiting (refer to [Figure 34](#) and [Figure 35](#)), the Software or Watchdog Reset become a Short Hardware Reset. On the contrary, if  $\overline{\text{RSTF}}$  remains low for less than 4 TCL, the device simply exits reset state.

The Bidirectional reset is not effective in case RPD is held low, when a Software or Watchdog reset event occurs. On the contrary, if a Software or Watchdog Bidirectional reset event is active and RPD becomes low, the  $\overline{\text{RSTIN}}$  pin is immediately released, while the internal reset sequence is completed regardless of RPD status change (1024 TCL).

*Note: The bidirectional reset function is disabled by any reset sequence (bit BDRSTEN of SYSCON is cleared). To be activated again it must be enabled during the initialization routine.*

### WDTCN flags

Similarly to what already highlighted in the previous section when discussing about Short reset and the degeneration into Long reset, similar situations may occur when Bidirectional reset is enabled. The presence of the internal filter on  $\overline{\text{RSTIN}}$  pin introduces a delay: when  $\overline{\text{RSTIN}}$  is released, the internal signal after the filter (see  $\overline{\text{RSTF}}$  in the drawings) is delayed, so it remains still active (low) for a while. It means that depending on the internal clock speed, a short reset may be recognized as a long reset: the WDTCN flags are set accordingly.

Besides, when either Software or Watchdog bidirectional reset events occur, again when the  $\overline{\text{RSTIN}}$  pin is released (at the end of the internal reset sequence), the  $\overline{\text{RSTF}}$  internal signal (after the filter) remains low for a while, and depending on the clock frequency it is recognized high or low: 8TCL after the completion of the internal sequence, the level of  $\overline{\text{RSTF}}$  signal is sampled, and if recognized still low a Hardware reset sequence starts, and WDTCN will flag this last event, masking the previous one (Software or Watchdog reset). Typically, a Short Hardware reset is recognized, unless the  $\overline{\text{RSTIN}}$  pin (and consequently

internal signal  $\overline{\text{RSTF}}$  is sufficiently held low by the external hardware to inject a Long Hardware reset. After this occurrence, the initialization routine is not able to recognize a Software or Watchdog bidirectional reset event, since a different source is flagged inside WDTCON register. This phenomenon does not occur when internal FLASH is selected during reset ( $\overline{\text{EA}} = 1$ ), since the initialization of the FLASH itself extend the internal reset duration well beyond the filter delay.

Next [Figure 34](#), [Figure 35](#) and [Figure 36](#) summarize the timing for Software and Watchdog Timer Bidirectional reset events: In particular [Figure 36](#) shows the degeneration into Hardware reset.

**Figure 34. SW / WDT bidirectional RESET ( $\overline{\text{EA}}=1$ )**

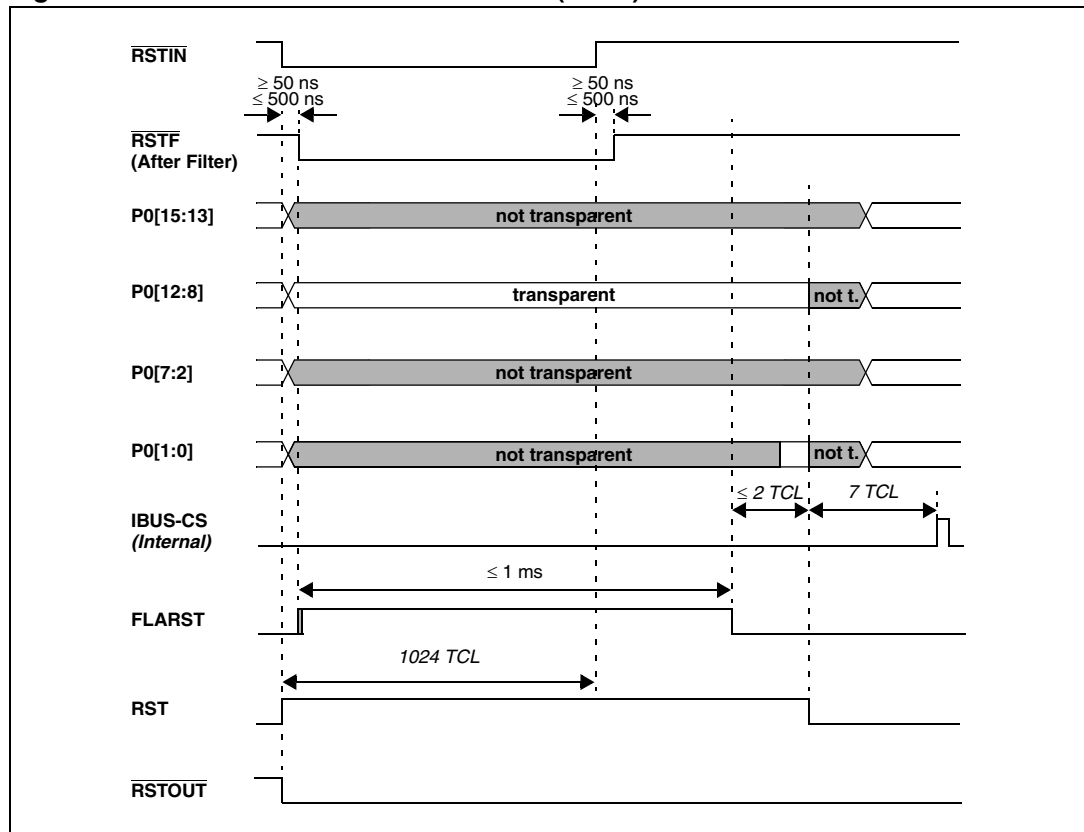


Figure 35. SW / WDT bidirectional RESET ( $\overline{EA} = 0$ )

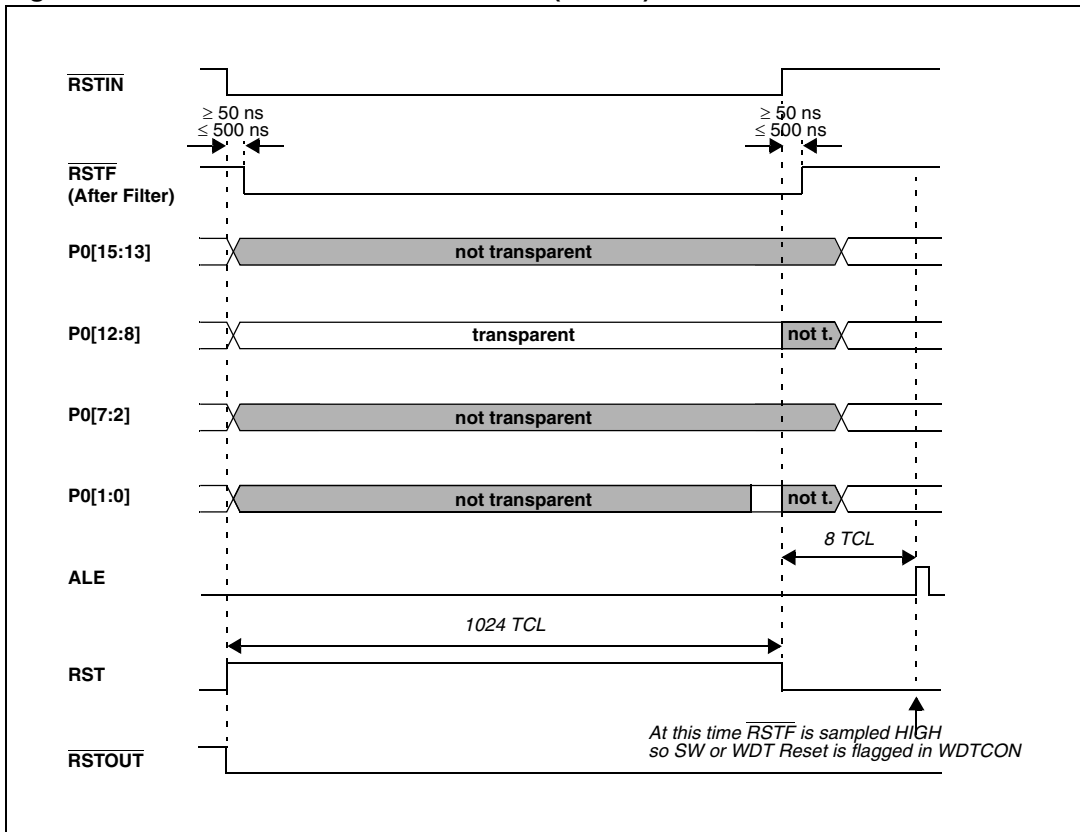
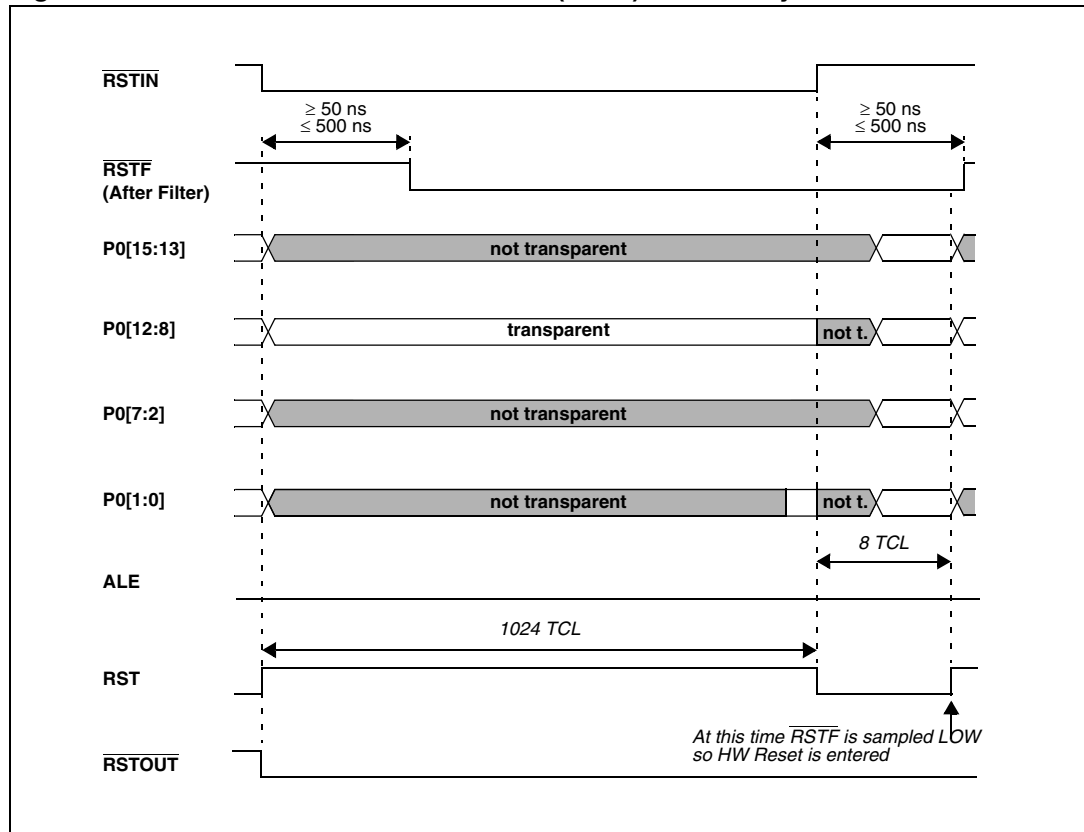


Figure 36. SW / WDT bidirectional RESET ( $\overline{EA}=0$ ) followed by a HW RESET



## 19.7 Reset circuitry

Internal reset circuitry is described in [Figure 39](#). The  $\overline{RSTIN}$  pin provides an internal pull-up resistor of 50k $\Omega$  to 250k $\Omega$  (The minimum reset time must be calculated using the lowest value).

It also provides a programmable (BDRSTEN bit of SYSCON register) pull-down to output internal reset state signal (synchronous reset, watchdog timer reset or software reset).

This bidirectional reset function is useful in applications where external devices require a reset signal but cannot be connected to  $\overline{RSTOUT}$  pin.

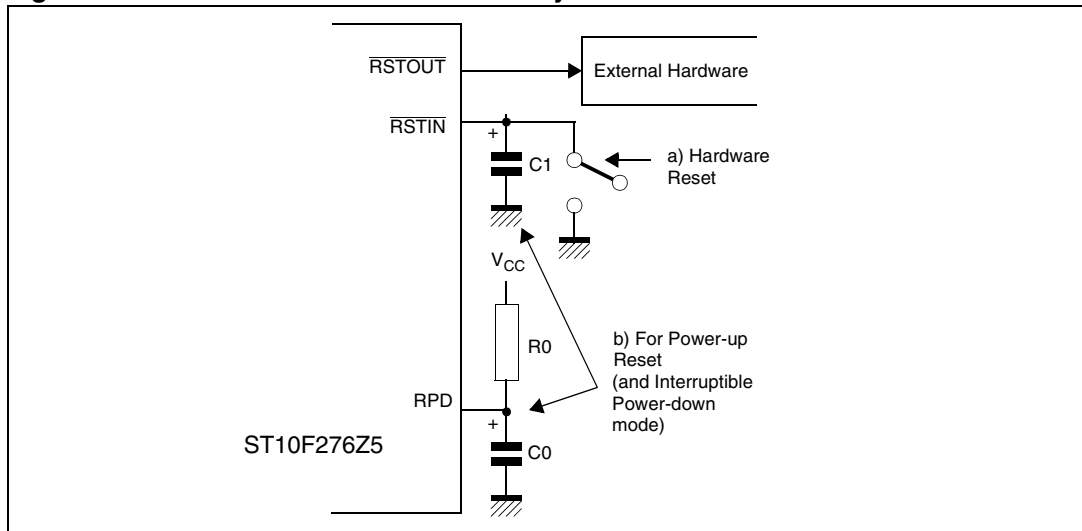
This is the case of an external memory running codes before EINIT (end of initialization) instruction is executed.  $\overline{RSTOUT}$  pin is pulled high only when EINIT is executed.

The RPD pin provides an internal weak pull-down resistor which discharges external capacitor at a typical rate of 200 $\mu$ A. If bit PWDCFG of SYSCON register is set, an internal pull-up resistor is activated at the end of the reset sequence. This pull-up will charge any capacitor connected on RPD pin.

The simplest way to reset the device is to insert a capacitor C1 between  $\overline{RSTIN}$  pin and  $V_{SS}$ , and a capacitor between RPD pin and  $V_{SS}$  (C0) with a pull-up resistor R0 between RPD pin and  $V_{DD}$ . The input  $\overline{RSTIN}$  provides an internal pull-up device equalling a resistor of 50k $\Omega$  to 250k $\Omega$  (the minimum reset time must be determined by the lowest value). Select C1 that produce a sufficient discharge time to permit the internal or external oscillator and / or internal PLL and the on-chip voltage regulator to stabilize.

To ensure correct power-up reset with controlled supply current consumption, specially if clock signal requires a long period of time to stabilize, an asynchronous hardware reset is required during power-up. For this reason, it is recommended to connect the external R0-C0 circuit shown in [Figure 37](#) to the RPD pin. On power-up, the logical low level on RPD pin forces an asynchronous hardware reset when  $\overline{\text{RSTIN}}$  is asserted low. The external pull-up R0 will then charge the capacitor C0. Note that an internal pull-down device on RPD pin is turned on when  $\overline{\text{RSTIN}}$  pin is low, and causes the external capacitor (C0) to begin discharging at a typical rate of 100-200 $\mu\text{A}$ . With this mechanism, after power-up reset, short low pulses applied on  $\overline{\text{RSTIN}}$  produce synchronous hardware reset. If  $\overline{\text{RSTIN}}$  is asserted longer than the time needed for C0 to be discharged by the internal pull-down device, then the device is forced in an asynchronous reset. This mechanism insures recovery from very catastrophic failure.

**Figure 37. Minimum external reset circuitry**



The minimum reset circuit of [Figure 37](#) is not adequate when the  $\overline{\text{RSTIN}}$  pin is driven from the device itself during software or watchdog triggered resets, because of the capacitor C1 that will keep the voltage on  $\overline{\text{RSTIN}}$  pin above  $V_{IL}$  after the end of the internal reset sequence, and thus will trigger an asynchronous reset sequence.

[Figure 38](#) shows an example of a reset circuit. In this example, R1-C1 external circuit is only used to generate power-up or manual reset, and R0-C0 circuit on RPD is used for power-up reset and to exit from Power-down mode. Diode D1 creates a wired-OR gate connection to the reset pin and may be replaced by open-collector Schmitt trigger buffer. Diode D2 provides a faster cycle time for repetitive power-on resets.

R2 is an optional pull-up for faster recovery and correct biasing of TTL Open Collector drivers.

Figure 38. System reset circuit

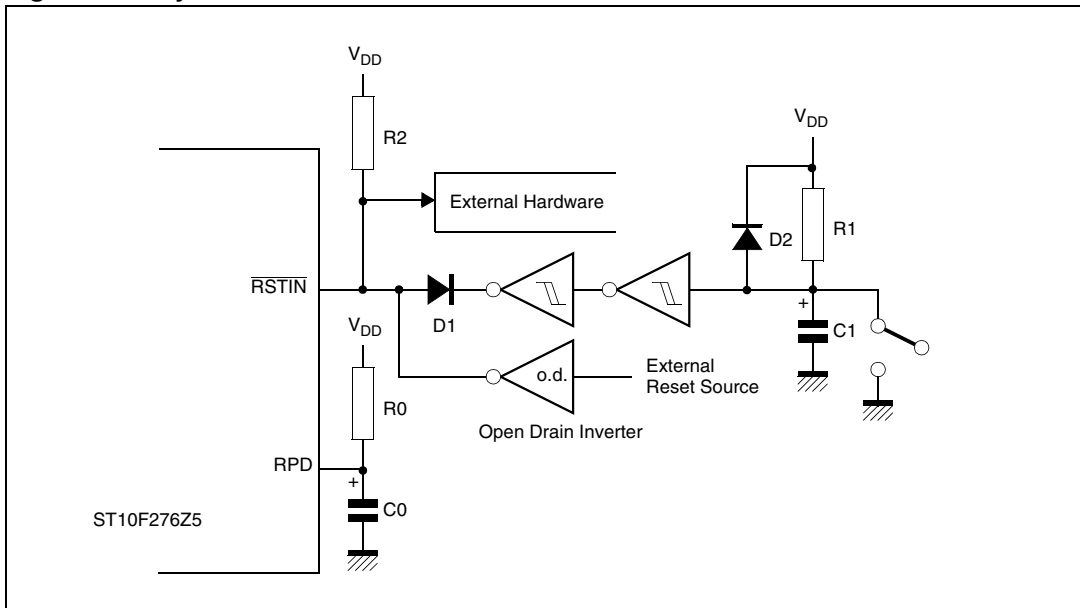
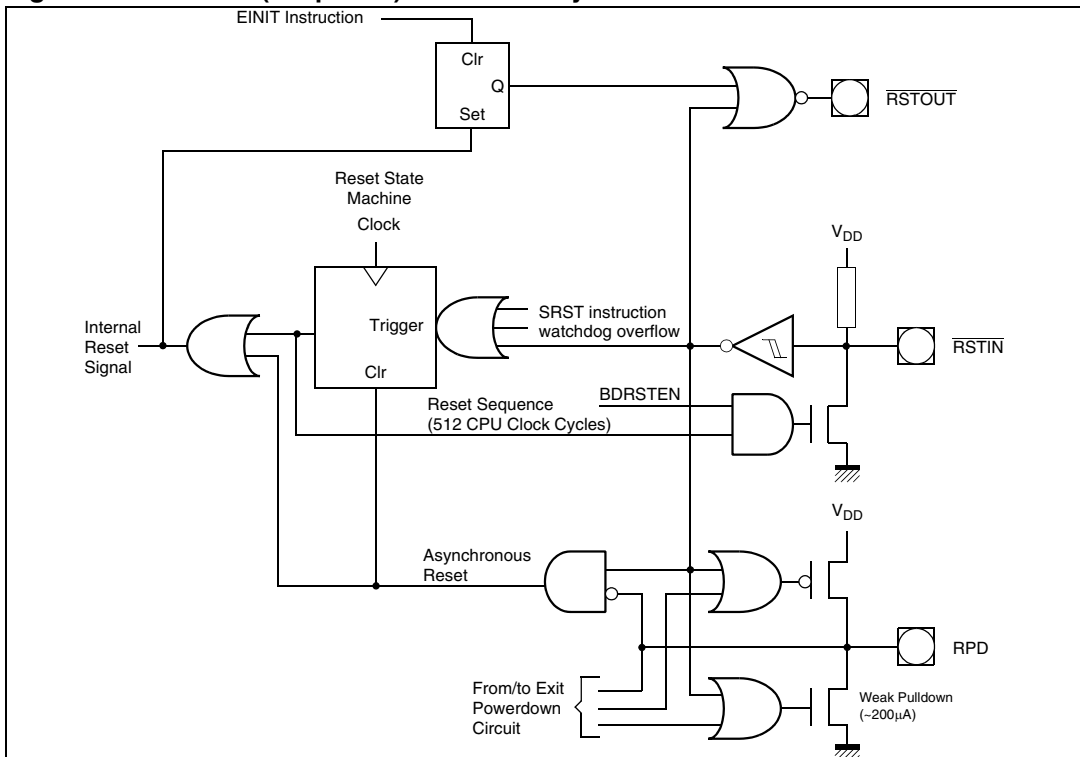


Figure 39. Internal (simplified) reset circuitry



### 19.8 Reset application examples

Next two timing diagrams (Figure 40 and Figure 41) provides additional examples of bidirectional internal reset events (Software and Watchdog) including in particular the external capacitances charge and discharge transients (refer also to Figure 38 for the external circuit scheme).

Figure 40. Example of software or watchdog bidirectional reset ( $\overline{EA} = 1$ )

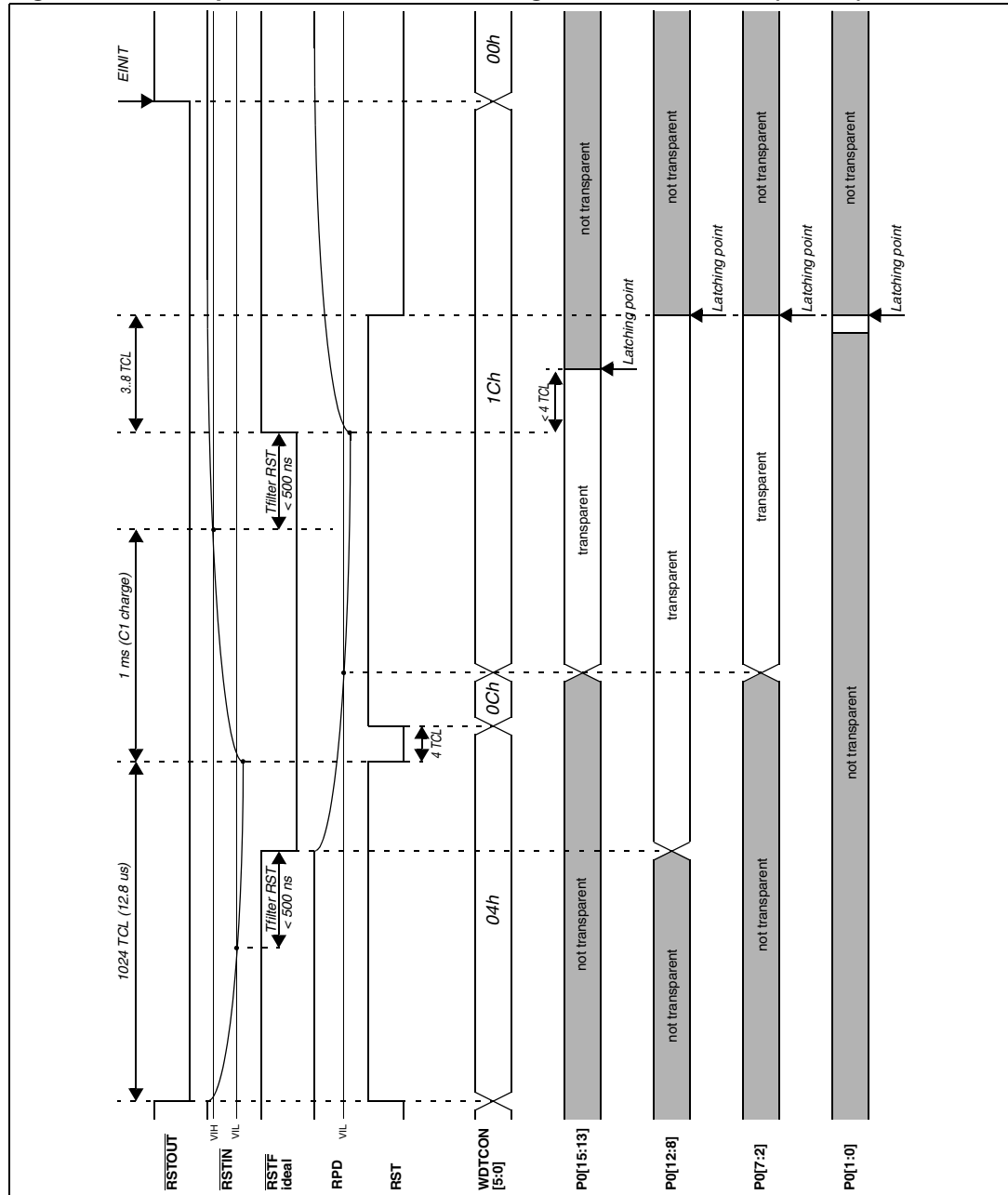
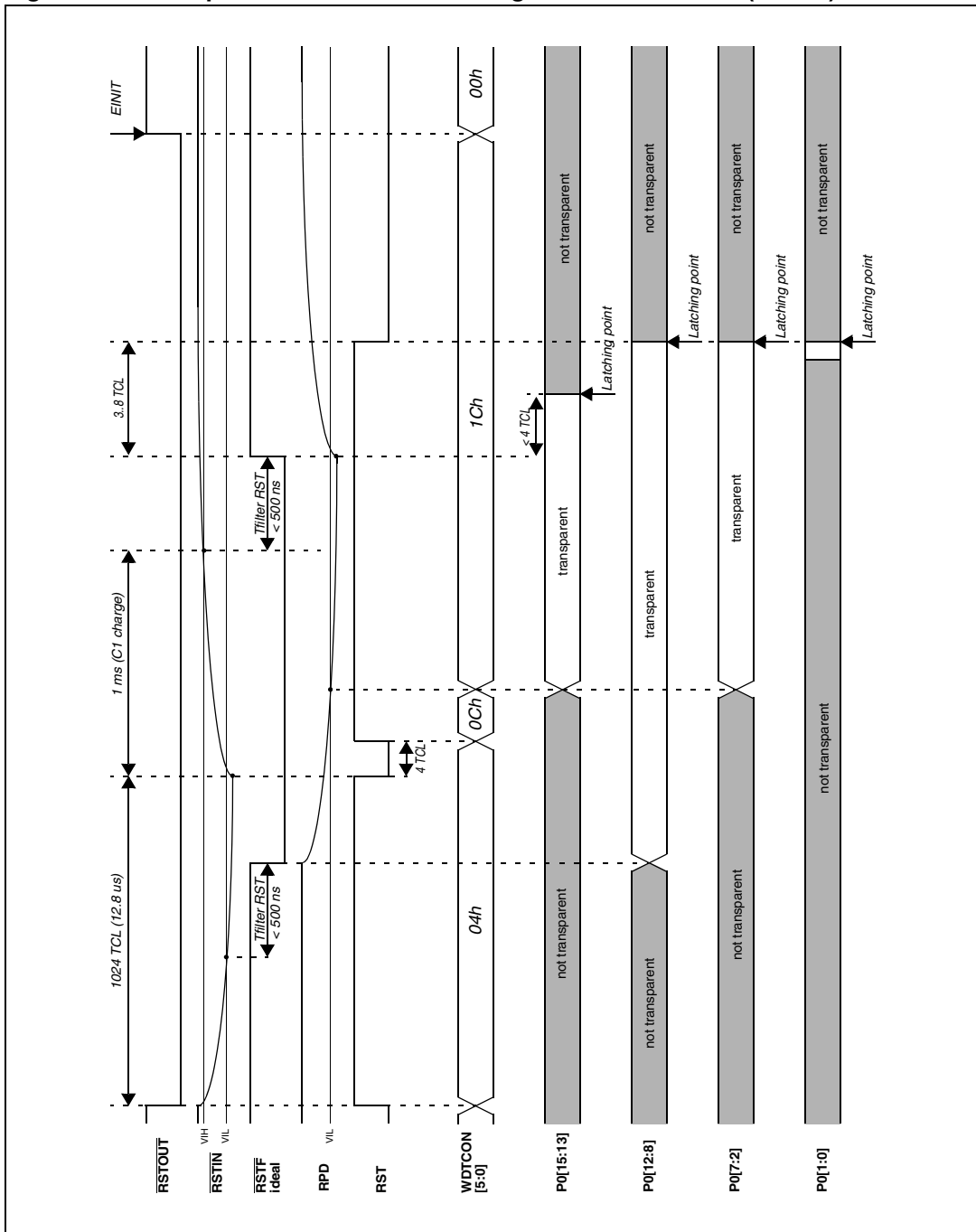


Figure 41. Example of software or watchdog bidirectional reset ( $\overline{EA} = 0$ )





## 19.9 Reset summary

A summary of the different reset events is reported in the table below.

**Table 62. Reset event**

Event	RPD	EA	Bidir	Synch. Asynch.	RSTIN		WDTCN Flags				
					min	max	PONR	LHWR	SHWR	SWR	WDTR
Power-on Reset	0	0	N	Asynch.	1 ms (VREG) 1.2 ms (Reson. + PLL) 10.2 ms (Crystal + PLL)	-	1	1	1	1	0
	0	1	N	Asynch.	1 ms (VREG)	-	1	1	1	1	0
	1	x	x		FORBIDDEN						
	x	x	Y		NOT APPLICABLE						
Hardware Reset (Asynchronous)	0	0	N	Asynch.	500 ns	-	0	1	1	1	0
	0	1	N	Asynch.	500 ns	-	0	1	1	1	0
	0	0	Y	Asynch.	500 ns	-	0	1	1	1	0
	0	1	Y	Asynch.	500 ns	-	0	1	1	1	0
Short Hardware Reset (Synchronous) <sup>(1)</sup>	1	0	N	Synch.	max (4 TCL, 500 ns)	1032 + 12 TCL + max(4 TCL, 500ns)	0	0	1	1	0
	1	1	N	Synch.	max (4 TCL, 500 ns)	1032 + 12 TCL + max(4 TCL, 500ns)	0	0	1	1	0
	1	0	Y	Synch.	max (4 TCL, 500 ns)	1032 + 12 TCL + max(4 TCL, 500ns)	0	0	1	1	0
					Activated by internal logic for 1024 TCL						
	1	1	Y	Synch.	max (4 TCL, 500 ns)	1032 + 12 TCL + max(4 TCL, 500 ns)	0	0	1	1	0
					Activated by internal logic for 1024 TCL						
Long Hardware Reset (Synchronous)	1	0	N	Synch.	1032 + 12 TCL + max(4 TCL, 500 ns)	-	0	1	1	1	0
	1	1	N	Synch.	1032 + 12 TCL + max(4 TCL, 500 ns)	-	0	1	1	1	0
	1	0	Y	Synch.	1032 + 12 TCL + max(4 TCL, 500 ns)	-	0	1	1	1	0
					Activated by internal logic only for 1024 TCL						
	1	1	Y	Synch.	1032 + 12 TCL + max(4 TCL, 500 ns)	-	0	1	1	1	0
					Activated by internal logic only for 1024 TCL						

**Table 62. Reset event (continued)**

Event	RPD	EA	Bidir	Synch. Asynch.	RSTIN		WDTCON Flags				
					min	max	PONR	LHWR	SHWR	SWR	WDTR
Software Reset <sup>(2)</sup>	x	0	N	Synch.	Not activated		0	0	0	1	0
	x	0	N	Synch.	Not activated		0	0	0	1	0
	0	1	Y	Synch.	Not activated		0	0	0	1	0
	1	1	Y	Synch.	Activated by internal logic for 1024 TCL		0	0	0	1	0
Watchdog Reset <sup>(2)</sup>	x	0	N	Synch.	Not activated		0	0	0	1	1
	x	0	N	Synch.	Not activated		0	0	0	1	1
	0	1	Y	Synch.	Not activated		0	0	0	1	1
	1	1	Y	Synch.	Activated by internal logic for 1024 TCL		0	0	0	1	1

1. It can degenerate into a Long Hardware Reset and consequently differently flagged (see [Section 19.3](#) for details).
2. When Bidirectional is active (and with RPD=0), it can be followed by a Short Hardware Reset and consequently differently flagged (see [Section 19.6](#) for details).

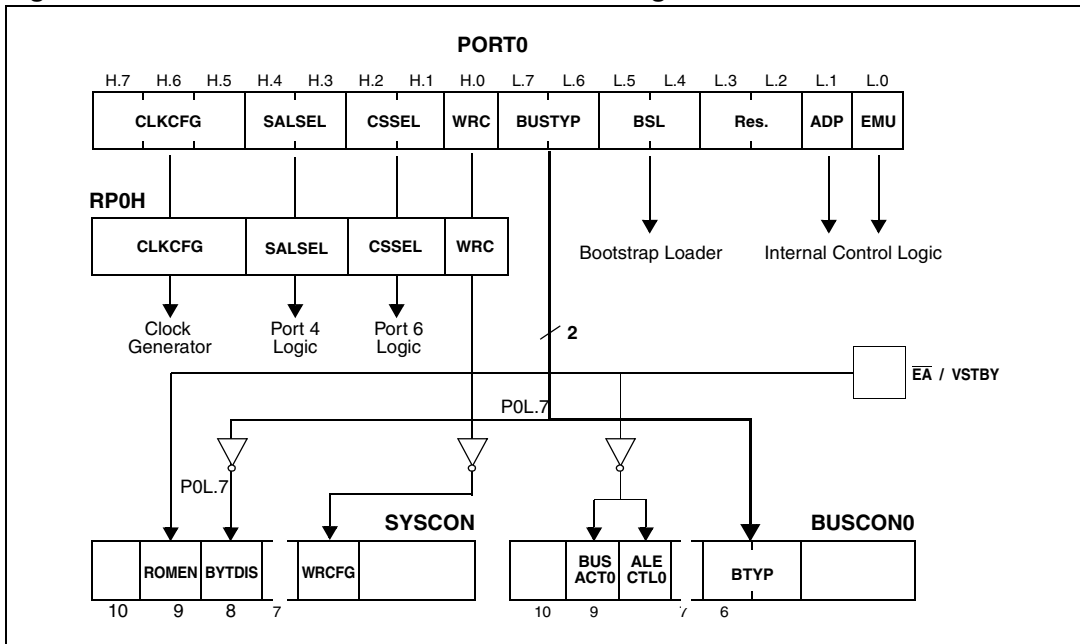
The start-up configurations and some system features are selected on reset sequences as described in [Table 63](#) and [Figure 42](#).

[Table 63](#) describes what is the system configuration latched on PORT0 in the six different reset modes. [Figure 42](#) summarizes the state of bits of PORT0 latched in RPOH, SYSCON, BUSCON0 registers.

**Table 63. PORT0 latched configuration for the different reset events**

Sample event	PORT0															
	Clock Options			Segm. Addr. Lines		Chip Selects		WR config.	Bus Type		Reserved	BSL	Reserved	Reserved	Adapt mode	Emu mode
	P0H.7	P0H.6	P0H.5	P0H.4	P0H.3	P0H.2	P0H.1	P0H.0	P0L.7	P0L.6	P0L.5	P0L.4	P0L.3	P0L.2	P0L.1	P0L.0
Software Reset	-	-	-	X	X	X	X	X	X	X	-	-	-	-	-	-
Watchdog Reset	-	-	-	X	X	X	X	X	X	X	-	-	-	-	-	-
Synchronous Short Hardware Reset	-	-	-	X	X	X	X	X	X	X	X	X	X	X	X	X
Synchronous Long Hardware Reset	X	X	X	X	X	X	X	X	X	X	X	X	X	X	X	X
Asynchronous Hardware Reset	X	X	X	X	X	X	X	X	X	X	X	X	X	X	X	X
Asynchronous Power-On Reset	X	X	X	X	X	X	X	X	X	X	X	X	X	X	X	X

Figure 42. PORT0 bits latched into the different registers after reset



## 20 Power reduction modes

Three different power reduction modes with different levels of power reduction have been implemented in the ST10F276Z5. In Idle mode only CPU is stopped, while peripheral still operate. In Power-down mode both CPU and peripherals are stopped. In Standby mode the main power supply ( $V_{DD}$ ) can be turned off while a portion of the internal RAM remains powered via  $V_{STBY}$  dedicated power pin.

Idle and Power-down modes are software activated by a protected instruction and are terminated in different ways as described in the following sections.

Standby mode is entered simply removing  $V_{DD}$ , holding the MCU under reset state.

*Note: All external bus actions are completed before Idle or Power-down mode is entered. However, Idle or Power-down mode is **not** entered if READY is enabled, but has not been activated (driven low for negative polarity, or driven high for positive polarity) during the last bus access.*

### 20.1 Idle mode

Idle mode is entered by running IDLE protected instruction. The CPU operation is stopped and the peripherals still run.

Idle mode is terminate by any interrupt request. Whatever the interrupt is serviced or not, the instruction following the IDLE instruction will be executed after return from interrupt (RETI) instruction, then the CPU resumes the normal program.

### 20.2 Power-down mode

Power-down mode starts by running PWRDN protected instruction. Internal clock is stopped, all MCU parts are on hold including the watchdog timer. The only exception could be the real-time clock if opportunely programmed and one of the two oscillator circuits as a consequence (either the main or the 32 kHz on-chip oscillator).

When real-time clock module is used, when the device is in Power-down mode a reference clock is needed. In this case, two possible configurations may be selected by the user application according to the desired level of power reduction:

- A 32 kHz crystal is connected to the on-chip low-power oscillator (pins XTAL3 / XTAL4) and running. In this case the main oscillator is stopped when Power-down mode is entered, while the real-time clock continue counting using 32 kHz clock signal as reference. The presence of a running low-power oscillator is detected after the Power-on: this clock is immediately assumed (if present, or as soon as it is detected) as reference for the real-time clock counter and it will be maintained forever (unless specifically disabled via software).
- Only the main oscillator is running (XTAL1 / XTAL2 pins). In this case the main oscillator is not stopped when Power-down is entered, and the real-time clock continue counting using the main oscillator clock signal as reference.

There are two different operating Power-down modes: protected mode and interruptible mode.

Before entering Power-down mode (by executing the instruction PWRDN), bit VREGOFF in XMISC register must be set.

*Note: Leaving the main voltage regulator active during Power-down may lead to unexpected behavior (ex: CPU wake-up) and power consumption higher than what specified.*

### 20.2.1 Protected Power-down mode

This mode is selected when PWDCFG (bit 5) of SYSCON register is cleared. The Protected Power-down mode is only activated if the  $\overline{\text{NMI}}$  pin is pulled low when executing PWRDN instruction (this means that the PWRD instruction belongs to the  $\overline{\text{NMI}}$  software routine). This mode is only deactivated with an external hardware reset on  $\overline{\text{RSTIN}}$  pin.

### 20.2.2 Interruptible Power-down mode

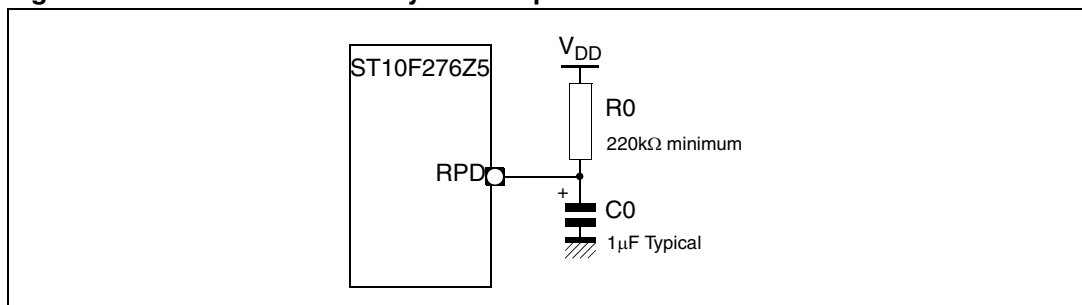
This mode is selected when PWDCFG (bit 5) of SYSCON register is set.

The Interruptible Power-down mode is only activated if all the enabled Fast External Interrupt pins are in their inactive level.

This mode is deactivated with an external reset applied to  $\overline{\text{RSTIN}}$  pin or with an interrupt request applied to one of the Fast External Interrupt pins, or with an interrupt generated by the real-time clock, or with an interrupt generated by the activity on CAN's and I<sup>2</sup>C module interfaces. To allow the internal PLL and clock to stabilize, the  $\overline{\text{RSTIN}}$  pin must be held low according the recommendations described in [Chapter 19: System reset](#).

An external RC circuit must be connected to RPD pin, as shown in the [Figure 43](#).

**Figure 43. External RC circuitry on RPD pin**



To exit Power-down mode with an external interrupt, an EXxIN (x = 7...0) pin has to be asserted for at least 40 ns.

## 20.3 Standby mode

In Standby mode, it is possible to turn off the main  $V_{DD}$  provided that  $V_{STBY}$  is available through the dedicated pin of the ST10F276Z5.

To enter Standby mode it is mandatory to held the device under reset: once the device is under reset, the RAM is disabled (see XRAM2EN bit of XPERCON register), and its digital interface is frozen in order to avoid any kind of data corruption.

A dedicated embedded low-power voltage regulator is implemented to generate the internal low voltage supply (about 1.65 V in Standby mode) to bias all those circuits that shall remain active: the portion of XRAM (16Kbytes for the ST10F276Z5), the RTC counters and 32 kHz on-chip oscillator amplifier.

In normal running mode (that is when main  $V_{DD}$  is on) the  $V_{STBY}$  pin can be tied to  $V_{SS}$  during reset to exercise the  $\bar{E}A$  functionality associated with the same pin: the voltage supply for the circuitries which are usually biased with  $V_{STBY}$  (see in particular the 32 kHz oscillator used in conjunction with real-time clock module), is granted by the active main  $V_{DD}$ .

It must be noted that Standby mode can generate problems associated with the usage of different power supplies in CMOS systems; particular attention must be paid when the device I/O lines are interfaced with other external CMOS integrated circuits: if  $V_{DD}$  of device becomes (for example in Standby mode) lower than the output level forced by the I/O lines of these external integrated circuits, the device could be directly powered through the inherent diode existing on device output driver circuitry. The same is valid for the device interfaced to active/inactive communication buses during Standby mode: current injection can be generated through the inherent diode.

Furthermore, the sequence of turning on/off of the different voltage could be critical for the system (not only for the device). The device Standby mode current ( $I_{STBY}$ ) may vary while  $V_{DD}$  to  $V_{STBY}$  (and vice versa) transition occurs: some current flows between  $V_{DD}$  and  $V_{STBY}$  pins. System noise on both  $V_{DD}$  and  $V_{STBY}$  can contribute to increase this phenomenon.

### 20.3.1 Entering Standby mode

As already said, to enter Standby mode XRAM2EN bit in the XPERCON Register must be cleared: this allows to freeze immediately the RAM interface, avoiding any data corruption. As a consequence of a RESET event, the RAM Power Supply is switched to the internal low-voltage supply  $V_{18SB}$  (derived from  $V_{STBY}$  through the low-power voltage regulator). The RAM interface will remain frozen until the bit XRAM2EN is set again by software initialization routine (at next exit from main  $V_{DD}$  power-on reset sequence).

Since  $V_{18}$  is falling down (as a consequence of  $V_{DD}$  turning off), it can happen that the XRAM2EN bit is no longer able to guarantee its content (logic "0"), being the XPERCON Register powered by internal  $V_{18}$ . This does not generate any problem, because the Standby mode switching dedicated circuit continues to confirm the RAM interface freezing, irrespective the XRAM2EN bit content; XRAM2EN bit status is considered again when internal  $V_{18}$  comes back over internal standby reference  $V_{18SB}$ .

If internal  $V_{18}$  becomes lower than internal standby reference ( $V_{18SB}$ ) of about 0.3 to 0.45 V with bit XRAM2EN set, the RAM Supply switching circuit is not active: in case of a temporary drop on internal  $V_{18}$  voltage versus internal  $V_{18SB}$  during normal code execution, no spurious Standby mode switching can occur (the RAM is not frozen and can still be accessed).

The ST10F276Z5 core module, generating the RAM control signals, is powered by internal  $V_{18}$  supply; during turning off transient these control signals follow the  $V_{18}$ , while RAM is switched to  $V_{18SB}$  internal reference. It could happen that a high level of RAM write strobe from device core (active low signal) is low enough to be recognized as a logic "0" by the RAM interface (due to  $V_{18}$  lower than  $V_{18SB}$ ): The bus status could contain a valid address for the RAM and an unwanted data corruption could occur. For this reason, an extra interface, powered by the switched supply, is used to prevent the RAM from this kind of potential corruption mechanism.

---

**Warning:** During power-off phase, it is important that the external hardware maintains a stable ground level on  $\overline{\text{RSTIN}}$  pin, without any glitch, in order to avoid spurious exiting from reset status with unstable power supply.

---

### 20.3.2 Exiting Standby mode

After the system has entered the Standby mode, the procedure to exit this mode consists of a standard Power-on sequence, with the only difference that the RAM is already powered through  $V_{18\text{SB}}$  internal reference (derived from  $V_{\text{STBY}}$  pin external voltage).

It is recommended to held the device under RESET ( $\overline{\text{RSTIN}}$  pin forced low) until external  $V_{\text{DD}}$  voltage pin is stable. Even though, at the very beginning of the power-on phase, the device is maintained under reset by the internal low voltage detector circuit (implemented inside the main voltage regulator) till the internal  $V_{18}$  becomes higher than about 1.0 V, **there is no warranty that the device stays under reset status if  $\overline{\text{RSTIN}}$  is at high level during power ramp up. So, it is important the external hardware is able to guarantee a stable ground level on  $\overline{\text{RSTIN}}$  along the power-on phase, without any temporary glitch.**

The external hardware shall be responsible to drive low the  $\overline{\text{RSTIN}}$  pin until the  $V_{\text{DD}}$  is stable, even though the internal LVD is active.

Once the internal Reset signal goes low, the RAM (still frozen) power supply is switched to the main  $V_{18}$ .

At this time, everything becomes stable, and the execution of the initialization routines can start: XRAM2EN bit can be set, enabling the RAM.

### 20.3.3 Real-time clock and Standby mode

When Standby mode is entered (turning off the main supply  $V_{\text{DD}}$ ), the real-time clock counting can be maintained running in case the on-chip 32 kHz oscillator is used to provide the reference to the counter. This is not possible if the main oscillator is used as reference for the counter: Being the main oscillator powered by  $V_{\text{DD}}$ , once this is switched off, the oscillator is stopped.

### 20.3.4 Power reduction modes summary

In the following [Table 64: Power reduction modes summary](#), a summary of the different Power reduction modes is reported.

**Table 64. Power reduction modes summary**

Mode	V <sub>DD</sub>	V <sub>STBY</sub>	CPU	Peripherals	RTC	Main OSC	32 kHz OSC	STBY XRAM	XRAM
Idle	on	on	off	on	off	run	off	biased	biased
	on	on	off	on	on	run	on	biased	biased
Power-down	on	on	off	off	off	off	off	biased	biased
	on	on	off	off	on	on	off	biased	biased
	on	on	off	off	on	off	on	biased	biased
Standby	off	on	off	off	off	off	off	biased	off
	off	on	off	off	on	off	on	biased	off



## 21 Programmable output clock divider

A specific register mapped on the XBUS allows to choose the division factor on the CLKOUT signal (P3.15). This register is mapped on X-Miscellaneous memory address range.

When CLKOUT function is enabled by setting bit CLKEN of register SYSCON, by default the CPU clock is output on P3.15. Setting bit XMISCEN of register XPERCON and bit XPEN of register SYSCON, it is possible to program the clock prescaling factor: in this way on P3.15 a prescaled value of the CPU clock can be output.

When CLKOUT function is not enabled (bit CLKEN of register SYSCON cleared), P3.15 does not output any clock signal, even though XCLKOUTDIV register is programmed.

## 22 Register set

This section summarizes all registers implemented in the ST10F276Z5, and explains the description format used in the chapters to describe the function and layout of the SFRs. For easy reference, the registers (except for GPRs) are sorted in two ways:

- Sorted by address, to check which register is referenced by a given address.
- Sorted by register name, to find the location of a specific register.

### 22.1 Register description format

Throughout the document, the function and the layout of the different registers is described in a specific format. The example below explains this format.

A word register is displayed as:

REG_NAME (A16h / A8h)					SFR/ESFR/XBUS					Reset value: ****h:					
15	14	13	12	11	10	9	8	7	6	5	4	3	2	1	0
res.	res.	res.	res.	res.	write only	hw bit	read only	std bit	hw bit	bitfield			bitfield		
					W	RW	R	RW	RW		RW			RW	

**Table 65. Description**

Bit	Function
Bit(field) name	Explanation of bit(field) name Description of the functions controlled by this bit(field).

A byte register is displayed as:

REG_NAME (A16h / A8h)					SFR/ESFR/XBUS					Reset value: - - **h:					
15	14	13	12	11	10	9	8	7	6	5	4	3	2	1	0
-	-	-	-	-	-	-	-	std bit	hw bit	bit field			bit field		
								RW	RW		RW			RW	

Elements:

- REG\_NAME** This register's name
- A16h / A8h** Long 16-bit address / Short 8-bit address
- SFR/ESFR/XBUS** Register space (SFR, ESFR or XBUS Register)
- (\* \*) \*\*** Register contents after reset
  - 0/1**: defined
  - X**: undefined (undefined ('X') after power up)
  - U**: unchanged
- hwbit** Bit that is set/cleared by hardware is written in **bold**

## 22.2 General purpose registers (GPRs)

The GPRs form the register bank that the CPU works with. This register bank may be located anywhere within the internal RAM via the Context Pointer (CP). Due to the addressing mechanism, GPR banks reside only within the internal RAM. All GPRs are bit-addressable.

**Table 66. General purpose registers (GPRs)**

Name	Physical address	8-bit address	Description	Reset value
R0	(CP) + 0	F0h	CPU general purpose (word) register R0	UUUUh
R1	(CP) + 2	F1h	CPU general purpose (word) register R1	UUUUh
R2	(CP) + 4	F2h	CPU general purpose (word) register R2	UUUUh
R3	(CP) + 6	F3h	CPU general purpose (word) register R3	UUUUh
R4	(CP) + 8	F4h	CPU general purpose (word) register R4	UUUUh
R5	(CP) + 10	F5h	CPU general purpose (word) register R5	UUUUh
R6	(CP) + 12	F6h	CPU general purpose (word) register R6	UUUUh
R7	(CP) + 14	F7h	CPU general purpose (word) register R7	UUUUh
R8	(CP) + 16	F8h	CPU general purpose (word) register R8	UUUUh
R9	(CP) + 18	F9h	CPU general purpose (word) register R9	UUUUh
R10	(CP) + 20	FAh	CPU general purpose (word) register R10	UUUUh
R11	(CP) + 22	FBh	CPU general purpose (word) register R11	UUUUh
R12	(CP) + 24	FCh	CPU general purpose (word) register R12	UUUUh
R13	(CP) + 26	FDh	CPU general purpose (word) register R13	UUUUh
R14	(CP) + 28	FEh	CPU general purpose (word) register R14	UUUUh
R15	(CP) + 30	FFh	CPU general purpose (word) register R15	UUUUh

The first 8 GPRs (R7...R0) may also be accessed byte-wise. Other than with SFRs, writing to a GPR byte does not affect the other byte of the respective GPR. The respective halves of the byte-accessible registers have special names:

**Table 67. General purpose registers (GPRs) byte-wise addressing**

Name	Physical address	8-bit address	Description	Reset value
RL0	(CP) + 0	F0h	CPU general purpose (byte) register RL0	UUh
RH0	(CP) + 1	F1h	CPU general purpose (byte) register RH0	UUh
RL1	(CP) + 2	F2h	CPU general purpose (byte) register RL1	UUh
RH1	(CP) + 3	F3h	CPU general purpose (byte) register RH1	UUh
RL2	(CP) + 4	F4h	CPU general purpose (byte) register RL2	UUh
RH2	(CP) + 5	F5h	CPU general purpose (byte) register RH2	UUh

**Table 67. General purpose registers (GPRs) bitwise addressing (continued)**

Name	Physical address	8-bit address	Description	Reset value
RL0	(CP) + 0	F0h	CPU general purpose (byte) register RL0	UUh
RL3	(CP) + 6	F6h	CPU general purpose (byte) register RL3	UUh
RH3	(CP) + 7	F7h	CPU general purpose (byte) register RH3	UUh
RL4	(CP) + 8	F8h	CPU general purpose (byte) register RL4	UUh
RH4	(CP) + 9	F9h	CPU general purpose (byte) register RH4	UUh
RL5	(CP) + 10	FAh	CPU general purpose (byte) register RL5	UUh
RH5	(CP) + 11	FBh	CPU general purpose (byte) register RH5	UUh
RL6	(CP) + 12	FCh	CPU general purpose (byte) register RL6	UUh
RH6	(CP) + 13	FDh	CPU general purpose (byte) register RH6	UUh
RL7	(CP) + 14	FEh	CPU general purpose (byte) register RL7	UUh
RH7	(CP) + 15	FFh	CPU general purpose (byte) register RH7	UUh

## 22.3 Special function registers ordered by name

The following table lists in alphabetical order all SFRs which are implemented in the ST10F276Z5.

**Bit-addressable** SFRs are marked with the letter “**b**” in column “Name”.

SFRs within the **Extended SFR-Space** (ESFRs) are marked with the letter “**E**” in column “Physical Address”.

The system configuration is selected during reset. SYSCON reset value is 0000 0xx0 x000 0000b.

Reset Value depends on different triggered reset event.

The XPNIC Interrupt Control Registers control interrupt requests from integrated X-Bus peripherals. Some software controlled interrupt requests may be generated by setting the XPNIR bits (of XPNIC register) of the unused X-Peripheral nodes.

**Table 68. Special function registers ordered by address**

Name	Physical address	8-bit address	Description	Reset value
ADCIC <b>b</b>	FF98h	CCh	A/D converter end of conversion interrupt control register	- - 00h
ADCON <b>b</b>	FFA0h	D0h	A/D converter control register	0000h
ADDAT	FEA0h	50h	A/D converter result register	0000h
ADDAT2	F0A0h <b>E</b>	50h	A/D converter 2 result register	0000h
ADDRSEL1	FE18h	0Ch	Address select register 1	0000h
ADDRSEL2	FE1Ah	0Dh	Address select register 2	0000h
ADDRSEL3	FE1Ch	0Eh	Address select register 3	0000h
ADDRSEL4	FE1Eh	0Fh	Address select register 4	0000h
ADEIC <b>b</b>	FF9Ah	CDh	A/D converter overrun error interrupt control register	- - 00h
BUSCON0 <b>b</b>	FF0Ch	86h	Bus configuration register 0	0xx0h
BUSCON1 <b>b</b>	FF14h	8Ah	Bus configuration register 1	0000h
BUSCON2 <b>b</b>	FF16h	8Bh	Bus configuration register 2	0000h
BUSCON3 <b>b</b>	FF18h	8Ch	Bus configuration register 3	0000h
BUSCON4 <b>b</b>	FF1Ah	8Dh	Bus configuration register 4	0000h
CAPREL	FE4Ah	25h	GPT2 capture/reload register	0000h
CC0	FE80h	40h	CAPCOM register 0	0000h
CC0IC <b>b</b>	FF78h	BCh	CAPCOM register 0 interrupt control register	- - 00h
CC1	FE82h	41h	CAPCOM register 1	0000h
CC10	FE94h	4Ah	CAPCOM register 10	0000h
CC10IC <b>b</b>	FF8Ch	C6h	CAPCOM register 10 interrupt control register	- - 00h
CC11	FE96h	4Bh	CAPCOM register 11	0000h
CC11IC <b>b</b>	FF8Eh	C7h	CAPCOM register 11 interrupt control register	- - 00h

**Table 68. Special function registers ordered by address (continued)**

Name	Physical address	8-bit address	Description	Reset value
CC12	FE98h	4Ch	CAPCOM register 12	0000h
CC12IC <b>b</b>	FF90h	C8h	CAPCOM register 12 interrupt control register	- - 00h
CC13	FE9Ah	4Dh	CAPCOM register 13	0000h
CC13IC <b>b</b>	FF92h	C9h	CAPCOM register 13 interrupt control register	- - 00h
CC14	FE9Ch	4Eh	CAPCOM register 14	0000h
CC14IC <b>b</b>	FF94h	CAh	CAPCOM register 14 interrupt control register	- - 00h
CC15	FE9Eh	4Fh	CAPCOM register 15	0000h
CC15IC <b>b</b>	FF96h	CBh	CAPCOM register 15 interrupt control register	- - 00h
CC16	FE60h	30h	CAPCOM register 16	0000h
CC16IC <b>b</b>	F160h <b>E</b>	B0h	CAPCOM register 16 interrupt control register	- - 00h
CC17	FE62h	31h	CAPCOM register 17	0000h
CC17IC <b>b</b>	F162h <b>E</b>	B1h	CAPCOM register 17 interrupt control register	- - 00h
CC18	FE64h	32h	CAPCOM register 18	0000h
CC18IC <b>b</b>	F164h <b>E</b>	B2h	CAPCOM register 18 interrupt control register	- - 00h
CC19	FE66h	33h	CAPCOM register 19	0000h
CC19IC <b>b</b>	F166h <b>E</b>	B3h	CAPCOM register 19 interrupt control register	- - 00h
CC11C <b>b</b>	FF7Ah	BDh	CAPCOM register 1 interrupt control register	- - 00h
CC2	FE84h	42h	CAPCOM register 2	0000h
CC20	FE68h	34h	CAPCOM register 20	0000h
CC20IC <b>b</b>	F168h <b>E</b>	B4h	CAPCOM register 20 interrupt control register	- - 00h
CC21	FE6Ah	35h	CAPCOM register 21	0000h
CC21IC <b>b</b>	F16Ah <b>E</b>	B5h	CAPCOM register 21 interrupt control register	- - 00h
CC22	FE6Ch	36h	CAPCOM register 22	0000h
CC22IC <b>b</b>	F16Ch <b>E</b>	B6h	CAPCOM register 22 interrupt control register	- - 00h
CC23	FE6Eh	37h	CAPCOM register 23	0000h
CC23IC <b>b</b>	F16Eh <b>E</b>	B7h	CAPCOM register 23 interrupt control register	- - 00h
CC24	FE70h	38h	CAPCOM register 24	0000h
CC24IC <b>b</b>	F170h <b>E</b>	B8h	CAPCOM register 24 interrupt control register	- - 00h
CC25	FE72h	39h	CAPCOM register 25	0000h
CC25IC <b>b</b>	F172h <b>E</b>	B9h	CAPCOM register 25 interrupt control register	- - 00h
CC26	FE74h	3Ah	CAPCOM register 26	0000h
CC26IC <b>b</b>	F174h <b>E</b>	BAh	CAPCOM register 26 interrupt control register	- - 00h
CC27	FE76h	3Bh	CAPCOM register 27	0000h
CC27IC <b>b</b>	F176h <b>E</b>	BBh	CAPCOM register 27 interrupt control register	- - 00h

Table 68. Special function registers ordered by address (continued)

Name	Physical address	8-bit address	Description	Reset value
CC28	FE78h	3Ch	CAPCOM register 28	0000h
CC28IC b	F178h E	BCh	CAPCOM register 28 interrupt control register	- - 00h
CC29	FE7Ah	3Dh	CAPCOM register 29	0000h
CC29IC b	F184h E	C2h	CAPCOM register 29 interrupt control register	- - 00h
CC2IC b	FF7Ch	BEh	CAPCOM register 2 interrupt control register	- - 00h
CC3	FE86h	43h	CAPCOM register 3	0000h
CC30	FE7Ch	3Eh	CAPCOM register 30	0000h
CC30IC b	F18Ch E	C6h	CAPCOM register 30 interrupt control register	- - 00h
CC31	FE7Eh	3Fh	CAPCOM register 31	0000h
CC31IC b	F194h E	CAh	CAPCOM register 31 interrupt control register	- - 00h
CC3IC b	FF7Eh	BFh	CAPCOM register 3 interrupt control register	- - 00h
CC4	FE88h	44h	CAPCOM register 4	0000h
CC4IC b	FF80h	C0h	CAPCOM register 4 interrupt control register	- - 00h
CC5	FE8Ah	45h	CAPCOM register 5	0000h
CC5IC b	FF82h	C1h	CAPCOM register 5 interrupt control register	- - 00h
CC6	FE8Ch	46h	CAPCOM register 6	0000h
CC6IC b	FF84h	C2h	CAPCOM register 6 interrupt control register	- - 00h
CC7	FE8Eh	47h	CAPCOM register 7	0000h
CC7IC b	FF86h	C3h	CAPCOM register 7 interrupt control register	- - 00h
CC8	FE90h	48h	CAPCOM register 8	0000h
CC8IC b	FF88h	C4h	CAPCOM register 8 interrupt control register	- - 00h
CC9	FE92h	49h	CAPCOM register 9	0000h
CC9IC b	FF8Ah	C5h	CAPCOM register 9 interrupt control register	- - 00h
CCM0 b	FF52h	A9h	CAPCOM mode control register 0	0000h
CCM1 b	FF54h	AAh	CAPCOM mode control register 1	0000h
CCM2 b	FF56h	ABh	CAPCOM mode control register 2	0000h
CCM3 b	FF58h	ACh	CAPCOM mode control register 3	0000h
CCM4 b	FF22h	91h	CAPCOM mode control register 4	0000h
CCM5 b	FF24h	92h	CAPCOM mode control register 5	0000h
CCM6 b	FF26h	93h	CAPCOM mode control register 6	0000h
CCM7 b	FF28h	94h	CAPCOM mode control register 7	0000h
CP	FE10h	08h	CPU context pointer register	FC00h
CRIC b	FF6Ah	B5h	GPT2 CAPREL interrupt control register	- - 00h
CSP	FE08h	04h	CPU code segment pointer register (read-only)	0000h

Table 68. Special function registers ordered by address (continued)

Name	Physical address	8-bit address	Description	Reset value
DP0H <b>b</b>	F102h <b>E</b>	81h	POH direction control register	-- 00h
DP0L <b>b</b>	F100h <b>E</b>	80h	P0L direction control register	-- 00h
DP1H <b>b</b>	F106h <b>E</b>	83h	P1H direction control register	-- 00h
DP1L <b>b</b>	F104h <b>E</b>	82h	P1L direction control register	-- 00h
DP2 <b>b</b>	FFC2h	E1h	Port 2 direction control register	0000h
DP3 <b>b</b>	FFC6h	E3h	Port 3 direction control register	0000h
DP4 <b>b</b>	FFCAh	E5h	Port 4 direction control register	-- 00h
DP6 <b>b</b>	FFCEh	E7h	Port 6 direction control register	-- 00h
DP7 <b>b</b>	FFD2h	E9h	Port 7 direction control register	-- 00h
DP8 <b>b</b>	FFD6h	EBh	Port 8 direction control register	-- 00h
DPP0	FE00h	00h	CPU data page pointer 0 register (10-bit)	0000h
DPP1	FE02h	01h	CPU data page pointer 1 register (10-bit)	0001h
DPP2	FE04h	02h	CPU data page pointer 2 register (10-bit)	0002h
DPP3	FE06h	03h	CPU data page pointer 3 register (10-bit)	0003h
EMUCON	FE0Ah	05h	Emulation control register	-- XXh
EXICON <b>b</b>	F1C0h <b>E</b>	E0h	External interrupt control register	0000h
EXISEL <b>b</b>	F1DAh <b>E</b>	EDh	External interrupt source selection register	0000h
IDCHIP	F07Ch <b>E</b>	3Eh	Device identifier register (n is the device revision)	114nh
IDMANUF	F07Eh <b>E</b>	3Fh	Manufacturer identifier register	0403h
IDMEM	F07Ah <b>E</b>	3Dh	On-chip memory identifier register	30D0h
IDPROG	F078h <b>E</b>	3Ch	Programming voltage identifier register	0040h
IDX0 <b>b</b>	FF08h	84h	MAC unit address pointer 0	0000h
IDX1 <b>b</b>	FF0Ah	85h	MAC unit address pointer 1	0000h
MAH	FE5Eh	2Fh	MAC unit accumulator - High word	0000h
MAL	FE5Ch	2Eh	MAC unit accumulator - Low word	0000h
MCW <b>b</b>	FFDCh	EEh	MAC unit control word	0000h
MDC <b>b</b>	FF0Eh	87h	CPU multiply divide control register	0000h
MDH	FE0Ch	06h	CPU multiply divide register – High word	0000h
MDL	FE0Eh	07h	CPU multiply divide register – Low word	0000h
MRW <b>b</b>	FFDAh	EDh	MAC unit repeat word	0000h
MSW <b>b</b>	FFDEh	EFh	MAC unit status word	0200h
ODP2 <b>b</b>	F1C2h <b>E</b>	E1h	Port2 open drain control register	0000h
ODP3 <b>b</b>	F1C6h <b>E</b>	E3h	Port3 open drain control register	0000h
ODP4 <b>b</b>	F1CAh <b>E</b>	E5h	Port4 open drain control register	-- 00h



Table 68. Special function registers ordered by address (continued)

Name	Physical address	8-bit address	Description	Reset value
ODP6 <b>b</b>	F1CEh <b>E</b>	E7h	Port6 open drain control register	- - 00h
ODP7 <b>b</b>	F1D2h <b>E</b>	E9h	Port7 open drain control register	- - 00h
ODP8 <b>b</b>	F1D6h <b>E</b>	EBh	Port8 open drain control register	- - 00h
ONES <b>b</b>	FF1Eh	8Fh	Constant value 1's register (read-only)	FFFFh
P0H <b>b</b>	FF02h	81h	Port0 high register (upper half of PORT0)	- - 00h
P0L <b>b</b>	FF00h	80h	Port0 low register (lower half of PORT0)	- - 00h
P1H <b>b</b>	FF06h	83h	Port1 high register (upper half of PORT1)	- - 00h
P1L <b>b</b>	FF04h	82h	Port1 low register (lower half of PORT1)	- - 00h
P2 <b>b</b>	FFC0h	E0h	Port 2 register	0000h
P3 <b>b</b>	FFC4h	E2h	Port 3 register	0000h
P4 <b>b</b>	FFC8h	E4h	Port 4 register (8-bit)	- - 00h
P5 <b>b</b>	FFA2h	D1h	Port 5 register (read-only)	XXXXh
P5DIDIS <b>b</b>	FFA4h	D2h	Port 5 digital disable register	0000h
P6 <b>b</b>	FFCCh	E6h	Port 6 register (8-bit)	- - 00h
P7 <b>b</b>	FFD0h	E8h	Port 7 register (8-bit)	- - 00h
P8 <b>b</b>	FFD4h	EAh	Port 8 register (8-bit)	- - 00h
PECC0	FEC0h	60h	PEC channel 0 control register	0000h
PECC1	FEC2h	61h	PEC channel 1 control register	0000h
PECC2	FEC4h	62h	PEC channel 2 control register	0000h
PECC3	FEC6h	63h	PEC channel 3 control register	0000h
PECC4	FEC8h	64h	PEC channel 4 control register	0000h
PECC5	FECAh	65h	PEC channel 5 control register	0000h
PECC6	FECCh	66h	PEC channel 6 control register	0000h
PECC7	FECeh	67h	PEC channel 7 control register	0000h
PICON <b>b</b>	F1C4h <b>E</b>	E2h	Port input threshold control register	- - 00h
PP0	F038h <b>E</b>	1Ch	PWM module period register 0	0000h
PP1	F03Ah <b>E</b>	1Dh	PWM module period register 1	0000h
PP2	F03Ch <b>E</b>	1Eh	PWM module period register 2	0000h
PP3	F03Eh <b>E</b>	1Fh	PWM module period register 3	0000h
PSW <b>b</b>	FF10h	88h	CPU program status word	0000h
PT0	F030h <b>E</b>	18h	PWM module up/down counter 0	0000h
PT1	F032h <b>E</b>	19h	PWM module up/down counter 1	0000h
PT2	F034h <b>E</b>	1Ah	PWM module up/down counter 2	0000h
PT3	F036h <b>E</b>	1Bh	PWM module up/down counter 3	0000h

Table 68. Special function registers ordered by address (continued)

Name	Physical address	8-bit address	Description	Reset value
PW0	FE30h	18h	PWM module pulse width register 0	0000h
PW1	FE32h	19h	PWM module pulse width register 1	0000h
PW2	FE34h	1Ah	PWM module pulse width register 2	0000h
PW3	FE36h	1Bh	PWM module pulse width register 3	0000h
PWMCON0 b	FF30h	98h	PWM module control register 0	0000h
PWMCON1 b	FF32h	99h	PWM module control register 1	0000h
PWMIC b	F17Eh E	BFh	PWM Module interrupt control register	- - 00h
QR0	F004h E	02h	MAC unit offset register R0	0000h
QR1	F006h E	03h	MAC unit offset register R1	0000h
QX0	F000h E	00h	MAC unit Offset Register X0	0000h
QX1	F002h E	01h	MAC unit offset register X1	0000h
RP0H b	F108h E	84h	System start-up configuration register (read-only)	- - XXh
S0BG	FEB4h	5Ah	Serial channel 0 baud rate generator reload register	0000h
S0CON b	FFB0h	D8h	Serial channel 0 control register	0000h
S0EIC b	FF70h	B8h	Serial channel 0 error interrupt control register	- - 00h
S0RBUF	FEB2h	59h	Serial channel 0 receive buffer register (read-only)	- - XXh
S0RIC b	FF6Eh	B7h	Serial channel 0 receive interrupt control register	- - 00h
S0TBIC b	F19Ch E	CEh	Serial channel 0 transmit buffer interrupt control register	- - 00h
S0TBUF	FEB0h	58h	Serial channel 0 transmit buffer register (write-only)	0000h
S0TIC b	FF6Ch	B6h	Serial channel 0 transmit interrupt control register	- - 00h
SP	FE12h	09h	CPU system stack pointer register	FC00h
SSCBR	F0B4h E	5Ah	SSC baud rate register	0000h
SSCCON b	FFB2h	D9h	SSC control register	0000h
SSCEIC b	FF76h	BBh	SSC error interrupt control register	- - 00h
SSCRB	F0B2h E	59h	SSC receive buffer (read-only)	XXXXh
SSCRIC b	FF74h	BAh	SSC receive interrupt control register	- - 00h
SSCTB	F0B0h E	58h	SSC transmit buffer (write-only)	0000h
SSCTIC b	FF72h	B9h	SSC transmit interrupt control register	- - 00h
STKOV	FE14h	0Ah	CPU stack overflow pointer register	FA00h
STKUN	FE16h	0Bh	CPU stack underflow pointer register	FC00h
SYSCON b	FF12h	89h	CPU system configuration register	0xx0h
T0	FE50h	28h	CAPCOM timer 0 register	0000h
T01CON b	FF50h	A8h	CAPCOM timer 0 and timer 1 control register	0000h

Table 68. Special function registers ordered by address (continued)

Name	Physical address	8-bit address	Description	Reset value
T0IC <b>b</b>	FF9Ch	CEh	CAPCOM timer 0 interrupt control register	- - 00h
T0REL	FE54h	2Ah	CAPCOM timer 0 reload register	0000h
T1	FE52h	29h	CAPCOM timer 1 register	0000h
T1IC <b>b</b>	FF9Eh	CFh	CAPCOM timer 1 interrupt control register	- - 00h
T1REL	FE56h	2Bh	CAPCOM timer 1 reload register	0000h
T2	FE40h	20h	GPT1 timer 2 register	0000h
T2CON <b>b</b>	FF40h	A0h	GPT1 timer 2 control register	0000h
T2IC <b>b</b>	FF60h	B0h	GPT1 timer 2 interrupt control register	- - 00h
T3	FE42h	21h	GPT1 timer 3 register	0000h
T3CON <b>b</b>	FF42h	A1h	GPT1 timer 3 control register	0000h
T3IC <b>b</b>	FF62h	B1h	GPT1 timer 3 interrupt control register	- - 00h
T4	FE44h	22h	GPT1 timer 4 register	0000h
T4CON <b>b</b>	FF44h	A2h	GPT1 timer 4 control register	0000h
T4IC <b>b</b>	FF64h	B2h	GPT1 timer 4 interrupt control register	- - 00h
T5	FE46h	23h	GPT2 timer 5 register	0000h
T5CON <b>b</b>	FF46h	A3h	GPT2 timer 5 control register	0000h
T5IC <b>b</b>	FF66h	B3h	GPT2 timer 5 interrupt control register	- - 00h
T6	FE48h	24h	GPT2 timer 6 register	0000h
T6CON <b>b</b>	FF48h	A4h	GPT2 timer 6 control register	0000h
T6IC <b>b</b>	FF68h	B4h	GPT2 timer 6 interrupt control register	- - 00h
T7	F050h <b>E</b>	28h	CAPCOM timer 7 register	0000h
T78CON <b>b</b>	FF20h	90h	CAPCOM timer 7 and 8 control register	0000h
T7IC <b>b</b>	F17Ah <b>E</b>	BDh	CAPCOM timer 7 interrupt control register	- - 00h
T7REL	F054h <b>E</b>	2Ah	CAPCOM timer 7 reload register	0000h
T8	F052h <b>E</b>	29h	CAPCOM timer 8 register	0000h
T8IC <b>b</b>	F17Ch <b>E</b>	BEh	CAPCOM timer 8 interrupt control register	- - 00h
T8REL	F056h <b>E</b>	2Bh	CAPCOM timer 8 reload register	0000h
TFR <b>b</b>	FFACh	D6h	Trap flag register	0000h
WDT	FEAEh	57h	Watchdog timer register (read-only)	0000h
WDTCON <b>b</b>	FFAEh	D7h	Watchdog timer control register	00xxh
XADRS3	F01Ch <b>E</b>	0Eh	XPER address select register 3	800Bh
XP0IC <b>b</b>	F186h <b>E</b>	C3h	See <a href="#">Section 8.1</a>	- - 00h
XP1IC <b>b</b>	F18Eh <b>E</b>	C7h	See <a href="#">Section 8.1</a>	- - 00h
XP2IC <b>b</b>	F196h <b>E</b>	CBh	See <a href="#">Section 8.1</a>	- - 00h

**Table 68. Special function registers ordered by address (continued)**

Name	Physical address	8-bit address	Description	Reset value
XP3IC <b>b</b>	F19Eh <b>E</b>	CFh	See <a href="#">Section 8.1</a>	-- 00h
XPERCON	F024h <b>E</b>	12h	XPER configuration register	-- 05h
ZEROS <b>b</b>	FF1Ch	8Eh	Constant value 0's register (read-only)	0000h

## 22.4 Special function registers ordered by address

The following table lists by order of their physical addresses all SFRs which are implemented in the ST10F276Z5.

**Bit-addressable** SFRs are marked with the letter “**b**” in column “Name”.

SFRs within the **Extended SFR-Space** (ESFRs) are marked with the letter “**E**” in column “Physical Address”.

**Table 69. Special function registers ordered by address**

Name	Physical address	8-bit address	Description	Reset value
QX0	F000h <b>E</b>	00h	MAC unit offset register X0	0000h
QX1	F002h <b>E</b>	01h	MAC unit offset register X1	0000h
QR0	F004h <b>E</b>	02h	MAC unit offset register R0	0000h
QR1	F006h <b>E</b>	03h	MAC unit offset register R1	0000h
XADRS3	F01Ch <b>E</b>	0Eh	XPER address select register 3	800Bh
XPERCON	F024h <b>E</b>	12h	XPER configuration register	-- 05h
PT0	F030h <b>E</b>	18h	PWM module up/down counter 0	0000h
PT1	F032h <b>E</b>	19h	PWM module up/down counter 1	0000h
PT2	F034h <b>E</b>	1Ah	PWM module up/down counter 2	0000h
PT3	F036h <b>E</b>	1Bh	PWM module up/down counter 3	0000h
PP0	F038h <b>E</b>	1Ch	PWM module period register 0	0000h
PP1	F03Ah <b>E</b>	1Dh	PWM module period register 1	0000h
PP2	F03Ch <b>E</b>	1Eh	PWM module period register 2	0000h
PP3	F03Eh <b>E</b>	1Fh	PWM module period register 3	0000h
T7	F050h <b>E</b>	28h	CAPCOM timer 7 register	0000h
T8	F052h <b>E</b>	29h	CAPCOM timer 8 register	0000h
T7REL	F054h <b>E</b>	2Ah	CAPCOM timer 7 reload register	0000h
T8REL	F056h <b>E</b>	2Bh	CAPCOM timer 8 reload register	0000h
IDPROG	F078h <b>E</b>	3Ch	Programming voltage identifier register	0040h
IDMEM	F07Ah <b>E</b>	3Dh	On-chip memory identifier register	30D0h
IDCHIP	F07Ch <b>E</b>	3Eh	Device identifier register (n is the device revision)	114nh

Table 69. Special function registers ordered by address (continued)

Name	Physical address	8-bit address	Description	Reset value
IDMANUF	F07Eh E	3Fh	Manufacturer identifier register	0403h
ADDAT2	F0A0h E	50h	A/D converter 2 result register	0000h
SSCTB	F0B0h E	58h	SSC transmit buffer (write-only)	0000h
SSCRB	F0B2h E	59h	SSC receive buffer (read-only)	XXXXh
SSCBR	F0B4h E	5Ah	SSC baud rate register	0000h
DP0L b	F100h E	80h	P0L direction control register	-- 00h
DP0H b	F102h E	81h	P0H direction control register	-- 00h
DP1L b	F104h E	82h	P1L direction control register	-- 00h
DP1H b	F106h E	83h	P1H direction control register	-- 00h
RP0H b	F108h E	84h	System start-up configuration register (read-only)	-- XXh
CC16IC b	F160h E	B0h	CAPCOM register 16 interrupt control register	-- 00h
CC17IC b	F162h E	B1h	CAPCOM register 17 interrupt control register	-- 00h
CC18IC b	F164h E	B2h	CAPCOM register 18 interrupt control register	-- 00h
CC19IC b	F166h E	B3h	CAPCOM register 19 interrupt control register	-- 00h
CC20IC b	F168h E	B4h	CAPCOM register 20 interrupt control register	-- 00h
CC21IC b	F16Ah E	B5h	CAPCOM register 21 interrupt control register	-- 00h
CC22IC b	F16Ch E	B6h	CAPCOM register 22 interrupt control register	-- 00h
CC23IC b	F16Eh E	B7h	CAPCOM register 23 interrupt control register	-- 00h
CC24IC b	F170h E	B8h	CAPCOM register 24 interrupt control register	-- 00h
CC25IC b	F172h E	B9h	CAPCOM register 25 interrupt control register	-- 00h
CC26IC b	F174h E	BAh	CAPCOM register 26 interrupt control register	-- 00h
CC27IC b	F176h E	BBh	CAPCOM register 27 interrupt control register	-- 00h
CC28IC b	F178h E	BCh	CAPCOM register 28 interrupt control register	-- 00h
T7IC b	F17Ah E	BDh	CAPCOM timer 7 interrupt control register	-- 00h
T8IC b	F17Ch E	BEh	CAPCOM timer 8 interrupt control register	-- 00h
PWMIC b	F17Eh E	BFh	PWM module interrupt control register	-- 00h
CC29IC b	F184h E	C2h	CAPCOM register 29 interrupt control register	-- 00h
XP0IC b	F186h E	C3h	See <a href="#">Section 8.1</a>	-- 00h
CC30IC b	F18Ch E	C6h	CAPCOM register 30 interrupt control register	-- 00h
XP1IC b	F18Eh E	C7h	See <a href="#">Section 8.1</a>	-- 00h
CC31IC b	F194h E	CAh	CAPCOM register 31 interrupt control register	-- 00h
XP2IC b	F196h E	CBh	See <a href="#">Section 8.1</a>	-- 00h
S0TBIC b	F19Ch E	CEh	Serial channel 0 transmit buffer interrupt control register.	-- 00h

Table 69. Special function registers ordered by address (continued)

Name	Physical address	8-bit address	Description	Reset value
XP3IC <b>b</b>	F19Eh <b>E</b>	CFh	See <a href="#">Section 8.1</a>	-- 00h
EXICON <b>b</b>	F1C0h <b>E</b>	E0h	External interrupt control register	0000h
ODP2 <b>b</b>	F1C2h <b>E</b>	E1h	Port2 open drain control register	0000h
PICON <b>b</b>	F1C4h <b>E</b>	E2h	Port input threshold control register	-- 00h
ODP3 <b>b</b>	F1C6h <b>E</b>	E3h	Port3 open drain control register	0000h
ODP4 <b>b</b>	F1CAh <b>E</b>	E5h	Port4 open drain control register	-- 00h
ODP6 <b>b</b>	F1CEh <b>E</b>	E7h	Port6 open drain control register	-- 00h
ODP7 <b>b</b>	F1D2h <b>E</b>	E9h	Port7 open drain control register	-- 00h
ODP8 <b>b</b>	F1D6h <b>E</b>	EBh	Port8 open drain control register	-- 00h
EXISEL <b>b</b>	F1DAh <b>E</b>	EDh	External interrupt source selection register	0000h
DPP0	FE00h	00h	CPU data page pointer 0 register (10-bit)	0000h
DPP1	FE02h	01h	CPU data page pointer 1 register (10-bit)	0001h
DPP2	FE04h	02h	CPU data page pointer 2 register (10-bit)	0002h
DPP3	FE06h	03h	CPU data page pointer 3 register (10-bit)	0003h
CSP	FE08h	04h	CPU code segment pointer register (read-only)	0000h
EMUCON	FE0Ah	05h	Emulation control register	-- XXh
MDH	FE0Ch	06h	CPU multiply divide register – High word	0000h
MDL	FE0Eh	07h	CPU multiply divide register – Low word	0000h
CP	FE10h	08h	CPU context pointer register	FC00h
SP	FE12h	09h	CPU system stack pointer register	FC00h
STKOV	FE14h	0Ah	CPU stack overflow pointer register	FA00h
STKUN	FE16h	0Bh	CPU stack underflow pointer register	FC00h
ADDRSEL1	FE18h	0Ch	Address select register 1	0000h
ADDRSEL2	FE1Ah	0Dh	Address select register 2	0000h
ADDRSEL3	FE1Ch	0Eh	Address select register 3	0000h
ADDRSEL4	FE1Eh	0Fh	Address select register 4	0000h
PW0	FE30h	18h	PWM module pulse width register 0	0000h
PW1	FE32h	19h	PWM module pulse width register 1	0000h
PW2	FE34h	1Ah	PWM module pulse width register 2	0000h
PW3	FE36h	1Bh	PWM module pulse width register 3	0000h
T2	FE40h	20h	GPT1 timer 2 register	0000h
T3	FE42h	21h	GPT1 timer 3 register	0000h
T4	FE44h	22h	GPT1 timer 4 register	0000h
T5	FE46h	23h	GPT2 timer 5 register	0000h

**Table 69. Special function registers ordered by address (continued)**

Name	Physical address	8-bit address	Description	Reset value
T6	FE48h	24h	GPT2 timer 6 register	0000h
CAPREL	FE4Ah	25h	GPT2 capture/reload register	0000h
T0	FE50h	28h	CAPCOM timer 0 register	0000h
T1	FE52h	29h	CAPCOM timer 1 register	0000h
T0REL	FE54h	2Ah	CAPCOM timer 0 reload register	0000h
T1REL	FE56h	2Bh	CAPCOM timer 1 reload register	0000h
MAL	FE5Ch	2Eh	MAC unit accumulator - Low word	0000h
MAH	FE5Eh	2Fh	MAC unit accumulator - High word	0000h
CC16	FE60h	30h	CAPCOM register 16	0000h
CC17	FE62h	31h	CAPCOM register 17	0000h
CC18	FE64h	32h	CAPCOM register 18	0000h
CC19	FE66h	33h	CAPCOM register 19	0000h
CC20	FE68h	34h	CAPCOM register 20	0000h
CC21	FE6Ah	35h	CAPCOM register 21	0000h
CC22	FE6Ch	36h	CAPCOM register 22	0000h
CC23	FE6Eh	37h	CAPCOM register 23	0000h
CC24	FE70h	38h	CAPCOM register 24	0000h
CC25	FE72h	39h	CAPCOM register 25	0000h
CC26	FE74h	3Ah	CAPCOM register 26	0000h
CC27	FE76h	3Bh	CAPCOM register 27	0000h
CC28	FE78h	3Ch	CAPCOM register 28	0000h
CC29	FE7Ah	3Dh	CAPCOM register 29	0000h
CC30	FE7Ch	3Eh	CAPCOM register 30	0000h
CC31	FE7Eh	3Fh	CAPCOM register 31	0000h
CC0	FE80h	40h	CAPCOM register 0	0000h
CC1	FE82h	41h	CAPCOM register 1	0000h
CC2	FE84h	42h	CAPCOM register 2	0000h
CC3	FE86h	43h	CAPCOM register 3	0000h
CC4	FE88h	44h	CAPCOM register 4	0000h
CC5	FE8Ah	45h	CAPCOM register 5	0000h
CC6	FE8Ch	46h	CAPCOM register 6	0000h
CC7	FE8Eh	47h	CAPCOM register 7	0000h
CC8	FE90h	48h	CAPCOM register 8	0000h
CC9	FE92h	49h	CAPCOM register 9	0000h

Table 69. Special function registers ordered by address (continued)

Name	Physical address	8-bit address	Description	Reset value
CC10	FE94h	4Ah	CAPCOM register 10	0000h
CC11	FE96h	4Bh	CAPCOM register 11	0000h
CC12	FE98h	4Ch	CAPCOM register 12	0000h
CC13	FE9Ah	4Dh	CAPCOM register 13	0000h
CC14	FE9Ch	4Eh	CAPCOM register 14	0000h
CC15	FE9Eh	4Fh	CAPCOM register 15	0000h
ADDAT	FEA0h	50h	A/D converter result register	0000h
WDT	FEAEh	57h	Watchdog timer register (read-only)	0000h
S0TBUF	FEB0h	58h	Serial channel 0 transmit buffer register (write-only)	0000h
S0RBUF	FEB2h	59h	Serial channel 0 receive buffer register (read-only)	-- XXh
S0BG	FEB4h	5Ah	Serial channel 0 baud rate generator reload register	0000h
PECC0	FEC0h	60h	PEC channel 0 control register	0000h
PECC1	FEC2h	61h	PEC channel 1 control register	0000h
PECC2	FEC4h	62h	PEC channel 2 control register	0000h
PECC3	FEC6h	63h	PEC channel 3 control register	0000h
PECC4	FEC8h	64h	PEC channel 4 control register	0000h
PECC5	FECAh	65h	PEC channel 5 control register	0000h
PECC6	FECCh	66h	PEC channel 6 control register	0000h
PECC7	FECEh	67h	PEC channel 7 control register	0000h
P0L b	FF00h	80h	Port0 low register (lower half of PORT0)	-- 00h
P0H b	FF02h	81h	Port0 high register (upper half of PORT0)	-- 00h
P1L b	FF04h	82h	Port1 low register (lower half of PORT1)	-- 00h
P1H b	FF06h	83h	Port1 high register (upper half of PORT1)	-- 00h
IDX0 b	FF08h	84h	MAC unit address pointer 0	0000h
IDX1 b	FF0Ah	85h	MAC unit address pointer 1	0000h
BUSCON0 b	FF0Ch	86h	Bus configuration register 0	0xx0h
MDC b	FF0Eh	87h	CPU multiply divide control register	0000h
PSW b	FF10h	88h	CPU program status word	0000h
SYSCON b	FF12h	89h	CPU system configuration register	0xx0h
BUSCON1 b	FF14h	8Ah	Bus configuration register 1	0000h
BUSCON2 b	FF16h	8Bh	Bus configuration register 2	0000h
BUSCON3 b	FF18h	8Ch	Bus configuration register 3	0000h
BUSCON4 b	FF1Ah	8Dh	Bus configuration register 4	0000h



Table 69. Special function registers ordered by address (continued)

Name	Physical address	8-bit address	Description	Reset value
ZEROS <b>b</b>	FF1Ch	8Eh	Constant value 0's register (read-only)	0000h
ONES <b>b</b>	FF1Eh	8Fh	Constant value 1's register (read-only)	FFFFh
T78CON <b>b</b>	FF20h	90h	CAPCOM timer 7 and 8 control register	0000h
CCM4 <b>b</b>	FF22h	91h	CAPCOM mode control register 4	0000h
CCM5 <b>b</b>	FF24h	92h	CAPCOM mode control register 5	0000h
CCM6 <b>b</b>	FF26h	93h	CAPCOM mode control register 6	0000h
CCM7 <b>b</b>	FF28h	94h	CAPCOM mode control register 7	0000h
PWMCON0 <b>b</b>	FF30h	98h	PWM module control register 0	0000h
PWMCON1 <b>b</b>	FF32h	99h	PWM module control register 1	0000h
T2CON <b>b</b>	FF40h	A0h	GPT1 timer 2 control register	0000h
T3CON <b>b</b>	FF42h	A1h	GPT1 timer 3 control register	0000h
T4CON <b>b</b>	FF44h	A2h	GPT1 timer 4 control register	0000h
T5CON <b>b</b>	FF46h	A3h	GPT2 timer 5 control register	0000h
T6CON <b>b</b>	FF48h	A4h	GPT2 timer 6 control register	0000h
T01CON <b>b</b>	FF50h	A8h	CAPCOM timer 0 and timer 1 control register	0000h
CCM0 <b>b</b>	FF52h	A9h	CAPCOM mode control register 0	0000h
CCM1 <b>b</b>	FF54h	AAh	CAPCOM mode control register 1	0000h
CCM2 <b>b</b>	FF56h	ABh	CAPCOM mode control register 2	0000h
CCM3 <b>b</b>	FF58h	ACH	CAPCOM mode control register 3	0000h
T2IC <b>b</b>	FF60h	B0h	GPT1 timer 2 interrupt control register	--00h
T3IC <b>b</b>	FF62h	B1h	GPT1 timer 3 interrupt control register	--00h
T4IC <b>b</b>	FF64h	B2h	GPT1 timer 4 interrupt control register	--00h
T5IC <b>b</b>	FF66h	B3h	GPT2 timer 5 interrupt control register	--00h
T6IC <b>b</b>	FF68h	B4h	GPT2 timer 6 interrupt control register	--00h
CRIC <b>b</b>	FF6Ah	B5h	GPT2 CAPREL interrupt control register	--00h
S0TIC <b>b</b>	FF6Ch	B6h	Serial channel 0 transmit interrupt control register	--00h
S0RIC <b>b</b>	FF6Eh	B7h	Serial channel 0 receive interrupt control register	--00h
S0EIC <b>b</b>	FF70h	B8h	Serial channel 0 error interrupt control register	--00h
SSCTIC <b>b</b>	FF72h	B9h	SSC transmit interrupt control register	--00h
SSCRIC <b>b</b>	FF74h	BAh	SSC receive interrupt control register	--00h
SSCEIC <b>b</b>	FF76h	BBh	SSC error interrupt control register	--00h
CC0IC <b>b</b>	FF78h	BCh	CAPCOM register 0 interrupt control register	--00h
CC1IC <b>b</b>	FF7Ah	BDh	CAPCOM register 1 interrupt control register	--00h
CC2IC <b>b</b>	FF7Ch	BEh	CAPCOM register 2 interrupt control register	--00h

Table 69. Special function registers ordered by address (continued)

Name	Physical address	8-bit address	Description	Reset value
CC3IC <b>b</b>	FF7Eh	BFh	CAPCOM register 3 interrupt control register	--00h
CC4IC <b>b</b>	FF80h	C0h	CAPCOM register 4 interrupt control register	--00h
CC5IC <b>b</b>	FF82h	C1h	CAPCOM register 5 interrupt control register	--00h
CC6IC <b>b</b>	FF84h	C2h	CAPCOM register 6 interrupt control register	--00h
CC7IC <b>b</b>	FF86h	C3h	CAPCOM register 7 interrupt control register	--00h
CC8IC <b>b</b>	FF88h	C4h	CAPCOM register 8 interrupt control register	--00h
CC9IC <b>b</b>	FF8Ah	C5h	CAPCOM register 9 interrupt control register	--00h
CC10IC <b>b</b>	FF8Ch	C6h	CAPCOM register 10 interrupt control register	--00h
CC11IC <b>b</b>	FF8Eh	C7h	CAPCOM register 11 interrupt control register	--00h
CC12IC <b>b</b>	FF90h	C8h	CAPCOM register 12 interrupt control register	--00h
CC13IC <b>b</b>	FF92h	C9h	CAPCOM register 13 interrupt control register	--00h
CC14IC <b>b</b>	FF94h	CAh	CAPCOM register 14 interrupt control register	--00h
CC15IC <b>b</b>	FF96h	CBh	CAPCOM register 15 interrupt control register	--00h
ADCIC <b>b</b>	FF98h	CCh	A/D converter end of conversion interrupt control register	--00h
ADEIC <b>b</b>	FF9Ah	CDh	A/D converter overrun error interrupt control register	--00h
T0IC <b>b</b>	FF9Ch	CEh	CAPCOM timer 0 interrupt control register	--00h
T1IC <b>b</b>	FF9Eh	CFh	CAPCOM timer 1 interrupt control register	--00h
ADCON <b>b</b>	FFA0h	D0h	A/D converter control register	0000h
P5 <b>b</b>	FFA2h	D1h	Port 5 register (read-only)	XXXXh
P5DIDIS <b>b</b>	FFA4h	D2h	Port 5 digital disable register	0000h
TFR <b>b</b>	FFACh	D6h	Trap flag register	0000h
WDTCN <b>b</b>	FFAEh	D7h	Watchdog timer control register	00xxh
S0CON <b>b</b>	FFB0h	D8h	Serial channel 0 control register	0000h
SSCCN <b>b</b>	FFB2h	D9h	SSC control register	0000h
P2 <b>b</b>	FFC0h	E0h	Port 2 register	0000h
DP2 <b>b</b>	FFC2h	E1h	Port 2 direction control register	0000h
P3 <b>b</b>	FFC4h	E2h	Port 3 register	0000h
DP3 <b>b</b>	FFC6h	E3h	Port 3 direction control register	0000h
P4 <b>b</b>	FFC8h	E4h	Port 4 register (8-bit)	--00h
DP4 <b>b</b>	FFCAh	E5h	Port 4 direction control register	--00h
P6 <b>b</b>	FFCCh	E6h	Port 6 register (8-bit)	--00h
DP6 <b>b</b>	FFCEh	E7h	Port 6 direction control register	--00h
P7 <b>b</b>	FFD0h	E8h	Port 7 register (8-bit)	--00h

**Table 69. Special function registers ordered by address (continued)**

Name	Physical address	8-bit address	Description	Reset value
DP7 <b>b</b>	FFD2h	E9h	Port 7 direction control register	--00h
P8 <b>b</b>	FFD4h	EAh	Port 8 register (8-bit)	--00h
DP8 <b>b</b>	FFD6h	EBh	Port 8 direction control register	--00h
MRW <b>b</b>	FFDAh	EDh	MAC unit repeat word	0000h
MCW <b>b</b>	FFDCh	EEh	MAC unit control word	0000h
MSW <b>b</b>	FFDEh	EFh	MAC unit status word	0200h

## 22.5 X-registers sorted by name

The following table lists by order of their names all X-Bus registers which are implemented in the ST10F276Z5. Although also physically mapped on X-Bus memory space, the Flash control registers are listed in a separate section,.

*Note: The X-registers are not bit-addressable.*

**Table 70. X-Registers ordered by name**

Name	Physical address	Description	Reset value
CAN1BRPER	EF0Ch	CAN1: BRP extension register	0000h
CAN1BTR	EF06h	CAN1: Bit timing register	2301h
CAN1CR	EF00h	CAN1: CAN control register	0001h
CAN1EC	EF04h	CAN1: Error counter	0000h
CAN1IF1A1	EF18h	CAN1: IF1 arbitration 1	0000h
CAN1IF1A2	EF1Ah	CAN1: IF1 arbitration 2	0000h
CAN1IF1CM	EF12h	CAN1: IF1 command mask	0000h
CAN1IF1CR	EF10h	CAN1: IF1 command request	0001h
CAN1IF1DA1	EF1Eh	CAN1: IF1 data A 1	0000h
CAN1IF1DA2	EF20h	CAN1: IF1 data A 2	0000h
CAN1IF1DB1	EF22h	CAN1: IF1 data B 1	0000h
CAN1IF1DB2	EF24h	CAN1: IF1 data B 2	0000h
CAN1IF1M1	EF14h	CAN1: IF1 mask 1	FFFFh
CAN1IF1M2	EF16h	CAN1: IF1 mask 2	FFFFh
CAN1IF1MC	EF1Ch	CAN1: IF1 message control	0000h
CAN1IF2A1	EF48h	CAN1: IF2 arbitration 1	0000h
CAN1IF2A2	EF4Ah	CAN1: IF2 arbitration 2	0000h
CAN1IF2CM	EF42h	CAN1: IF2 command mask	0000h
CAN1IF2CR	EF40h	CAN1: IF2 command request	0001h

Table 70. X-Registers ordered by name (continued)

Name	Physical address	Description	Reset value
CAN1IF2DA1	EF4Eh	CAN1: IF2 data A 1	0000h
CAN1IF2DA2	EF50h	CAN1: IF2 data A 2	0000h
CAN1IF2DB1	EF52h	CAN1: IF2 data B 1	0000h
CAN1IF2DB2	EF54h	CAN1: IF2 data B 2	0000h
CAN1IF2M1	EF44h	CAN1: IF2 mask 1	FFFFh
CAN1IF2M2	EF46h	CAN1: IF2 mask 2	FFFFh
CAN1IF2MC	EF4Ch	CAN1: IF2 message control	0000h
CAN1IP1	EFA0h	CAN1: interrupt pending 1	0000h
CAN1IP2	EFA2h	CAN1: interrupt pending 2	0000h
CAN1IR	EF08h	CAN1: interrupt register	0000h
CAN1MV1	EFB0h	CAN1: Message valid 1	0000h
CAN1MV2	EFB2h	CAN1: Message valid 2	0000h
CAN1ND1	EF90h	CAN1: New data 1	0000h
CAN1ND2	EF92h	CAN1: New data 2	0000h
CAN1SR	EF02h	CAN1: Status register	0000h
CAN1TR	EF0Ah	CAN1: Test register	00x0h
CAN1TR1	EF80h	CAN1: Transmission request 1	0000h
CAN1TR2	EF82h	CAN1: Transmission request 2	0000h
CAN2BRPER	EE0Ch	CAN2: BRP extension register	0000h
CAN2BTR	EE06h	CAN2: Bit timing register	2301h
CAN2CR	EE00h	CAN2: CAN control register	0001h
CAN2EC	EE04h	CAN2: Error counter	0000h
CAN2IF1A1	EE18h	CAN2: IF1 arbitration 1	0000h
CAN2IF1A2	EE1Ah	CAN2: IF1 arbitration 2	0000h
CAN2IF1CM	EE12h	CAN2: IF1 command mask	0000h
CAN2IF1CR	EE10h	CAN2: IF1 command request	0001h
CAN2IF1DA1	EE1Eh	CAN2: IF1 data A 1	0000h
CAN2IF1DA2	EE20h	CAN2: IF1 data A 2	0000h
CAN2IF1DB1	EE22h	CAN2: IF1 data B 1	0000h
CAN2IF1DB2	EE24h	CAN2: IF1 data B 2	0000h
CAN2IF1M1	EE14h	CAN2: IF1 mask 1	FFFFh
CAN2IF1M2	EE16h	CAN2: IF1 mask 2	FFFFh
CAN2IF1MC	EE1Ch	CAN2: IF1 message control	0000h
CAN2IF2A1	EE48h	CAN2: IF2 arbitration 1	0000h

Table 70. X-Registers ordered by name (continued)

Name	Physical address	Description	Reset value
CAN2IF2A2	EE4Ah	CAN2: IF2 arbitration 2	0000h
CAN2IF2CM	EE42h	CAN2: IF2 command mask	0000h
CAN2IF2CR	EE40h	CAN2: IF2 command request	0001h
CAN2IF2DA1	EE4Eh	CAN2: IF2 data A 1	0000h
CAN2IF2DA2	EE50h	CAN2: IF2 data A 2	0000h
CAN2IF2DB1	EE52h	CAN2: IF2 data B 1	0000h
CAN2IF2DB2	EE54h	CAN2: IF2 data B 2	0000h
CAN2IF2M1	EE44h	CAN2: IF2 mask 1	FFFFh
CAN2IF2M2	EE46h	CAN2: IF2 mask 2	FFFFh
CAN2IF2MC	EE4Ch	CAN2: IF2 message control	0000h
CAN2IP1	EEA0h	CAN2: Interrupt pending 1	0000h
CAN2IP2	EEA2h	CAN2: Interrupt pending 2	0000h
CAN2IR	EE08h	CAN2: Interrupt register	0000h
CAN2MV1	EEB0h	CAN2: Message valid 1	0000h
CAN2MV2	EEB2h	CAN2: Message valid 2	0000h
CAN2ND1	EE90h	CAN2: New data 1	0000h
CAN2ND2	EE92h	CAN2: New data 2	0000h
CAN2SR	EE02h	CAN2: Status register	0000h
CAN2TR	EE0Ah	CAN2: Test register	00x0h
CAN2TR1	EE80h	CAN2: Transmission request 1	0000h
CAN2TR2	EE82h	CAN2: Transmission request 2	0000h
I2CCCR1	EA06h	I2C Clock control register 1	0000h
I2CCCR2	EA0Eh	I2C Clock control register 2	0000h
I2CCR	EA00h	I2C Control register	0000h
I2CDR	EA0Ch	I2C Data register	0000h
I2COAR1	EA08h	I2C Own address register 1	0000h
I2COAR2	EA0Ah	I2C Own address register 2	0000h
I2CSR1	EA02h	I2C Status register 1	0000h
I2CSR2	EA04h	I2C Status register 2	0000h
RTCAH	ED14h	RTC Alarm register high byte	XXXXh
RTCAL	ED12h	RTC Alarm register low byte	XXXXh
RTCCON	ED00h	RTC Control register	000Xh
RTCDH	ED0Ch	RTC Divider counter high byte	XXXXh
RTCDL	ED0Ah	RTC Divider counter low byte	XXXXh

Table 70. X-Registers ordered by name (continued)

Name	Physical address	Description	Reset value
RTCH	ED10h	RTC Programmable counter high byte	XXXXh
RTCL	ED0Eh	RTC Programmable counter low byte	XXXXh
RTCPH	ED08h	RTC Prescaler register high byte	XXXXh
RTCPL	ED06h	RTC Prescaler register low byte	XXXXh
XCLKOUTDIV	EB02h	CLKOUT Divider control register	- - 00h
XEMU0	EB76h	XBUS Emulation register 0 (write-only)	XXXXh
XEMU1	EB78h	XBUS Emulation register 1 (write-only)	XXXXh
XEMU2	EB7Ah	XBUS Emulation register 2 (write-only)	XXXXh
XEMU3	EB7Ch	XBUS Emulation register 3 (write-only)	XXXXh
XIR0CLR	EB14h	X-Interrupt 0 clear register (write-only)	0000h
XIR0SEL	EB10h	X-Interrupt 0 selection register	0000h
XIR0SET	EB12h	X-Interrupt 0 set register (write-only)	0000h
XIR1CLR	EB24h	X-Interrupt 1 clear register (write-only)	0000h
XIR1SEL	EB20h	X-Interrupt 1 selection register	0000h
XIR1SET	EB22h	X-Interrupt 1 set register (write-only)	0000h
XIR2CLR	EB34h	X-Interrupt 2 clear register (write-only)	0000h
XIR2SEL	EB30h	X-Interrupt 2 selection register	0000h
XIR2SET	EB32h	X-Interrupt 2 set register (write-only)	0000h
XIR3CLR	EB44h	X-Interrupt 3 clear selection register (write-only)	0000h
XIR3SEL	EB40h	X-Interrupt 3 selection register	0000h
XIR3SET	EB42h	X-Interrupt 3 set selection register (write-only)	0000h
XMISC	EB46h	XBUS miscellaneous features register	0000h
XP1DIDIS	EB36h	Port 1 digital disable register	0000h
XPEREMU	EB7Eh	XPERCON copy for emulation (write-only)	XXXXh
XPICON	EB26h	Extended port input threshold control register	- - 00h
XPOLAR	EC04h	XPWM module channel polarity register	0000h
XPP0	EC20h	XPWM module period register 0	0000h
XPP1	EC22h	XPWM module period register 1	0000h
XPP2	EC24h	XPWM module period register 2	0000h
XPP3	EC26h	XPWM module period register 3	0000h
XPT0	EC10h	XPWM module up/down counter 0	0000h
XPT1	EC12h	XPWM module up/down counter 1	0000h

Table 70. X-Registers ordered by name (continued)

Name	Physical address	Description	Reset value
XPT2	EC14h	XPWM module up/down counter 2	0000h
XPT3	EC16h	XPWM module up/down counter 3	0000h
XPW0	EC30h	XPWM module pulse width register 0	0000h
XPW1	EC32h	XPWM module pulse width register 1	0000h
XPW2	EC34h	XPWM module pulse width register 2	0000h
XPW3	EC36h	XPWM module pulse width register 3	0000h
XPWMCON0	EC00h	XPWM module control register 0	0000h
XPWMCON0CLR	EC08h	XPWM module clear control reg. 0 (write-only)	0000h
XPWMCON0SET	EC06h	XPWM module set control register 0 (write-only)	0000h
XPWMCON1	EC02h	XPWM module control register 1	0000h
XPWMCON1CLR	EC0Ch	XPWM module clear control reg. 0 (write-only)	0000h
XPWMCON1SET	EC0Ah	XPWM module set control register 0 (write-only)	0000h
XPWMPORT	EC80h	XPWM module port control register	0000h
XS1BG	E906h	XASC baud rate generator reload register	0000h
XS1CON	E900h	XASC control register	0000h
XS1CONCLR	E904h	XASC clear control register (write-only)	0000h
XS1CONSET	E902h	XASC set control register (write-only)	0000h
XS1PORT	E980h	XASC port control register	0000h
XS1RBUF	E90Ah	XASC receive buffer register	0000h
XS1TBUF	E908h	XASC transmit buffer register	0000h
XSSCBR	E80Ah	XSSC baud rate register	0000h
XSSCCON	E800h	XSSC control register	0000h
XSSCCONCLR	E804h	XSSC clear control register (write-only)	0000h
XSSCCONSET	E802h	XSSC set control register (write-only)	0000h
XSSCPORT	E880h	XSSC port control register	0000h
XSSCRB	E808h	XSSC receive buffer	XXXXh
XSSCTB	E806h	XSSC transmit buffer	0000h

## 22.6 X-registers ordered by address

The following table lists by order of their physical addresses all X-Bus registers which are implemented in the ST10F276Z5. Although also physically mapped on X-Bus memory space, the Flash control registers are listed in a separate section, .

*Note:* The X-registers are not bit-addressable.

**Table 71. X-registers ordered by address**

Name	Physical address	Description	Reset value
XSSCCON	E800h	XSSC control register	0000h
XSSCCONSET	E802h	XSSC set control register (write-only)	0000h
XSSCCONCLR	E804h	XSSC clear control register (write-only)	0000h
XSSCTB	E806h	XSSC transmit buffer	0000h
XSSCRB	E808h	XSSC receive buffer	XXXXh
XSSCBR	E80Ah	XSSC baud rate register	0000h
XSSCPORT	E880h	XSSC port control register	0000h
XS1CON	E900h	XASC control register	0000h
XS1CONSET	E902h	XASC set control register (write-only)	0000h
XS1CONCLR	E904h	XASC clear control register (write-only)	0000h
XS1BG	E906h	XASC baud rate generator reload register	0000h
XS1TBUF	E908h	XASC transmit buffer register	0000h
XS1RBUF	E90Ah	XASC receive buffer register	0000h
XS1PORT	E980h	XASC port control register	0000h
I2CCR	EA00h	I2C control register	0000h
I2CSR1	EA02h	I2C status register 1	0000h
I2CSR2	EA04h	I2C status register 2	0000h
I2CCCR1	EA06h	I2C clock control register 1	0000h
I2COAR1	EA08h	I2C own address register 1	0000h
I2COAR2	EA0Ah	I2C own address register 2	0000h
I2CDR	EA0Ch	I2C data register	0000h
I2CCCR2	EA0Eh	I2C clock control register 2	0000h
XCLKOUTDIV	EB02h	CLKOUT divider control register	- - 00h
XIR0SEL	EB10h	X-Interrupt 0 selection register	0000h
XIR0SET	EB12h	X-Interrupt 0 set register (write-only)	0000h
XIR0CLR	EB14h	X-Interrupt 0 clear register (write-only)	0000h
XIR1SEL	EB20h	X-Interrupt 1 selection register	0000h
XIR1SET	EB22h	X-Interrupt 1 set register (write-only)	0000h
XIR1CLR	EB24h	X-Interrupt 1 clear register (write-only)	0000h



Table 71. X-registers ordered by address (continued)

Name	Physical address	Description	Reset value
XPICON	EB26h	Extended port input threshold control register	--00h
XIR2SEL	EB30h	X-Interrupt 2 selection register	0000h
XIR2SET	EB32h	X-Interrupt 2 set register (write-only)	0000h
XIR2CLR	EB34h	X-Interrupt 2 clear register (write-only)	0000h
XP1DIDIS	EB36h	Port 1 digital disable register	0000h
XIR3SEL	EB40h	X-Interrupt 3 selection register	0000h
XIR3SET	EB42h	X-Interrupt 3 set selection register (write-only)	0000h
XIR3CLR	EB44h	X-Interrupt 3 clear selection register (write-only)	0000h
XMISC	EB46h	XBUS miscellaneous features register	0000h
XEMU0	EB76h	XBUS emulation register 0 (write-only)	XXXXh
XEMU1	EB78h	XBUS emulation register 1 (write-only)	XXXXh
XEMU2	EB7Ah	XBUS emulation register 2 (write-only)	XXXXh
XEMU3	EB7Ch	XBUS emulation register 3 (write-only)	XXXXh
XPEREMU	EB7Eh	XPERCON copy for emulation (write-only)	XXXXh
XPWMCON0	EC00h	XPWM module control register 0	0000h
XPWMCON1	EC02h	XPWM module control register 1	0000h
XPOLAR	EC04h	XPWM module channel polarity register	0000h
XPWMCON0SET	EC06h	XPWM module set control register 0 (write-only)	0000h
XPWMCON0CLR	EC08h	XPWM module clear control reg. 0 (write-only)	0000h
XPWMCON1SET	EC0Ah	XPWM module set control register 0 (write-only)	0000h
XPWMCON1CLR	EC0Ch	XPWM module clear control reg. 0 (write-only)	0000h
XPT0	EC10h	XPWM module up/down counter 0	0000h
XPT1	EC12h	XPWM module up/down counter 1	0000h
XPT2	EC14h	XPWM module up/down Counter 2	0000h
XPT3	EC16h	XPWM module up/down counter 3	0000h
XPP0	EC20h	XPWM module period register 0	0000h
XPP1	EC22h	XPWM module period register 1	0000h
XPP2	EC24h	XPWM module period register 2	0000h
XPP3	EC26h	XPWM module period register 3	0000h
XPW0	EC30h	XPWM module pulse width register 0	0000h

Table 71. X-registers ordered by address (continued)

Name	Physical address	Description	Reset value
XPW1	EC32h	XPWM module pulse width register 1	0000h
XPW2	EC34h	XPWM module pulse width register 2	0000h
XPW3	EC36h	XPWM module pulse width register 3	0000h
XPWMPORT	EC80h	XPWM module port control register	0000h
RTCCON	ED00h	RTC control register	000Xh
RTCPL	ED06h	RTC prescaler register low byte	XXXXh
RTCPH	ED08h	RTC prescaler register high byte	XXXXh
RTCDL	ED0Ah	RTC divider counter low byte	XXXXh
RTCDH	ED0Ch	RTC divider counter high byte	XXXXh
RTCL	ED0Eh	RTC programmable counter low byte	XXXXh
RTCH	ED10h	RTC programmable counter high byte	XXXXh
RTCAL	ED12h	RTC alarm register low byte	XXXXh
RTCAH	ED14h	RTC alarm register high byte	XXXXh
CAN2CR	EE00h	CAN2: CAN control register	0001h
CAN2SR	EE02h	CAN2: status register	0000h
CAN2EC	EE04h	CAN2: error counter	0000h
CAN2BTR	EE06h	CAN2: bit timing register	2301h
CAN2IR	EE08h	CAN2: interrupt register	0000h
CAN2TR	EE0Ah	CAN2: test register	00x0h
CAN2BRPER	EE0Ch	CAN2: BRP extension register	0000h
CAN2IF1CR	EE10h	CAN2: IF1 command request	0001h
CAN2IF1CM	EE12h	CAN2: IF1 command mask	0000h
CAN2IF1M1	EE14h	CAN2: IF1 mask 1	FFFFh
CAN2IF1M2	EE16h	CAN2: IF1 mask 2	FFFFh
CAN2IF1A1	EE18h	CAN2: IF1 arbitration 1	0000h
CAN2IF1A2	EE1Ah	CAN2: IF1 arbitration 2	0000h
CAN2IF1MC	EE1Ch	CAN2: IF1 message control	0000h
CAN2IF1DA1	EE1Eh	CAN2: IF1 data A 1	0000h
CAN2IF1DA2	EE20h	CAN2: IF1 data A 2	0000h
CAN2IF1DB1	EE22h	CAN2: IF1 data B 1	0000h
CAN2IF1DB2	EE24h	CAN2: IF1 data B 2	0000h
CAN2IF2CR	EE40h	CAN2: IF2 command request	0001h
CAN2IF2CM	EE42h	CAN2: IF2 command mask	0000h
CAN2IF2M1	EE44h	CAN2: IF2 mask 1	FFFFh

Table 71. X-registers ordered by address (continued)

Name	Physical address	Description	Reset value
CAN2IF2M2	EE46h	CAN2: IF2 mask 2	FFFFh
CAN2IF2A1	EE48h	CAN2: IF2 arbitration 1	0000h
CAN2IF2A2	EE4Ah	CAN2: IF2 arbitration 2	0000h
CAN2IF2MC	EE4Ch	CAN2: IF2 message control	0000h
CAN2IF2DA1	EE4Eh	CAN2: IF2 data A 1	0000h
CAN2IF2DA2	EE50h	CAN2: IF2 data A 2	0000h
CAN2IF2DB1	EE52h	CAN2: IF2 data B 1	0000h
CAN2IF2DB2	EE54h	CAN2: IF2 data B 2	0000h
CAN2TR1	EE80h	CAN2: transmission request 1	0000h
CAN2TR2	EE82h	CAN2: transmission request 2	0000h
CAN2ND1	EE90h	CAN2: new data 1	0000h
CAN2ND2	EE92h	CAN2: new data 2	0000h
CAN2IP1	EEA0h	CAN2: interrupt pending 1	0000h
CAN2IP2	EEA2h	CAN2: interrupt pending 2	0000h
CAN2MV1	EEB0h	CAN2: message valid 1	0000h
CAN2MV2	EEB2h	CAN2: message valid 2	0000h
CAN1CR	EF00h	CAN1: CAN control register	0001h
CAN1SR	EF02h	CAN1: status register	0000h
CAN1EC	EF04h	CAN1: error counter	0000h
CAN1BTR	EF06h	CAN1: bit timing register	2301h
CAN1IR	EF08h	CAN1: interrupt register	0000h
CAN1TR	EF0Ah	CAN1: test register	00x0h
CAN1BRPER	EF0Ch	CAN1: BRP extension register	0000h
CAN1IF1CR	EF10h	CAN1: IF1 command request	0001h
CAN1IF1CM	EF12h	CAN1: IF1 command mask	0000h
CAN1IF1M1	EF14h	CAN1: IF1 mask 1	FFFFh
CAN1IF1M2	EF16h	CAN1: IF1 mask 2	FFFFh
CAN1IF1A1	EF18h	CAN1: IF1 arbitration 1	0000h
CAN1IF1A2	EF1Ah	CAN1: IF1 arbitration 2	0000h
CAN1IF1MC	EF1Ch	CAN1: IF1 message control	0000h
CAN1IF1DA1	EF1Eh	CAN1: IF1 data A 1	0000h
CAN1IF1DA2	EF20h	CAN1: IF1 data A 2	0000h
CAN1IF1DB1	EF22h	CAN1: IF1 data B 1	0000h
CAN1IF1DB2	EF24h	CAN1: IF1 data B 2	0000h

Table 71. X-registers ordered by address (continued)

Name	Physical address	Description	Reset value
CAN1IF2CR	EF40h	CAN1: IF2 command request	0001h
CAN1IF2CM	EF42h	CAN1: IF2 command mask	0000h
CAN1IF2M1	EF44h	CAN1: IF2 mask 1	FFFFh
CAN1IF2M2	EF46h	CAN1: IF2 mask 2	FFFFh
CAN1IF2A1	EF48h	CAN1: IF2 arbitration 1	0000h
CAN1IF2A2	EF4Ah	CAN1: IF2 arbitration 2	0000h
CAN1IF2MC	EF4Ch	CAN1: IF2 message control	0000h
CAN1IF2DA1	EF4Eh	CAN1: IF2 data A 1	0000h
CAN1IF2DA2	EF50h	CAN1: IF2 data A 2	0000h
CAN1IF2DB1	EF52h	CAN1: IF2 data B 1	0000h
CAN1IF2DB2	EF54h	CAN1: IF2 data B 2	0000h
CAN1TR1	EF80h	CAN1: transmission request 1	0000h
CAN1TR2	EF82h	CAN1: transmission request 2	0000h
CAN1ND1	EF90h	CAN1: new data 1	0000h
CAN1ND2	EF92h	CAN1: new data 2	0000h
CAN1IP1	EFA0h	CAN1: interrupt pending 1	0000h
CAN1IP2	EFA2h	CAN1: interrupt pending 2	0000h
CAN1MV1	EFB0h	CAN1: message valid 1	0000h
CAN1MV2	EFB2h	CAN1: message valid 2	0000h

## 22.7 Flash registers ordered by name

The following table lists by order of their names all FLASH control registers which are implemented in the ST10F276Z5. Note that as they are physically mapped on the X-Bus, these registers are not bit-addressable.

**Table 72. Flash registers ordered by name**

Name	Physical address	Description	Reset value
FARH	0x000E 0012	Flash address register High	0000h
FARL	0x000E 0010	Flash address register Low	0000h
FCR0H	0x000E 0002	Flash control register 0 - High	0000h
FCR0L	0x000E 0000	Flash control register 0 - Low	0000h
FCR1H	0x000E 0006	Flash control register 1 - High	0000h
FCR1L	0x000E 0004	Flash control register 1 - Low	0000h
FDR0H	0x000E 000A	Flash data register 0 - High	FFFFh
FDR0L	0x000E 0008	Flash data register 0 - Low	FFFFh
FDR1H	0x000E 000E	Flash data register 1 - High	FFFFh
FDR1L	0x000E 000C	Flash data register 1 - Low	FFFFh
FER	0x000E 0014	Flash error register	0000h
FNVAPR0	0x000E DFB8	Flash nonvolatile access protection Reg. 0	ACFFh
FNVAPR1H	0x000E DFBE	Flash nonvolatile access protection Reg. 1 - High	FFFFh
FNVAPR1L	0x000E DFBC	Flash nonvolatile access protection Reg. 1 - Low	FFFFh
FNVWPIRH	0x000E DFB6	Flash nonvolatile protection I Reg. High	FFFFh
FNVWPIRL	0x000E DFB4	Flash nonvolatile protection I Reg. Low	FFFFh
FNVWPXRH	0x000E DFB2	Flash nonvolatile protection X Reg. High	FFFFh
FNVWPXRL	0x000E DFB0	Flash nonvolatile protection X Reg. Low	FFFFh
XFICR	0x000E E000	XFlash interface control register	000Fh

## 22.8 Flash registers ordered by address

The following table lists by order of their physical addresses all FLASH control registers which are implemented in the ST10F276Z5. Note that as they are physically mapped on the X-Bus, these registers are not bit-addressable.

**Table 73. FLASH registers ordered by address**

Name	Physical address	Description	Reset value
FCR0L	0x000E 0000	Flash control register 0 - Low	0000h
FCR0H	0x000E 0002	Flash control register 0 - High	0000h
FCR1L	0x000E 0004	Flash control register 1 - Low	0000h
FCR1H	0x000E 0006	Flash control register 1 - High	0000h
FDR0L	0x000E 0008	Flash data register 0 - Low	FFFFh
FDR0H	0x000E 000A	Flash data register 0 - High	FFFFh
FDR1L	0x000E 000C	Flash data register 1 - Low	FFFFh
FDR1H	0x000E 000E	Flash data register 1 - High	FFFFh
FARL	0x000E 0010	Flash address register Low	0000h
FARH	0x000E 0012	Flash address register High	0000h
FER	0x000E 0014	Flash error register	0000h
FNVWPXRL	0x000E DFB0	Flash nonvolatile protection X reg. Low	FFFFh
FNVWPXRH	0x000E DFB2	Flash nonvolatile protection X reg. High	FFFFh
FNVWPIRL	0x000E DFB4	Flash nonvolatile protection I reg. Low	FFFFh
FNVWPIRH	0x000E DFB6	Flash nonvolatile protection I reg. High	FFFFh
FNVAPR0	0x000E DFB8	Flash nonvolatile access protection reg. 0	ACFFh
FNVAPR1L	0x000E DFBC	Flash nonvolatile access protection reg. 1 - Low	FFFFh
FNVAPR1H	0x000E DFBE	Flash nonvolatile access protection reg. 1 - High	FFFFh
XFICR	0x000E E000	XFlash interface control register	000Fh

## 22.9 Identification registers

The ST10F276Z5 has four Identification registers, mapped in ESRF space. These registers contain:

- The manufacturer identifier
- The chip identifier with revision number
- The internal Flash and size identifier
- the programming voltage description

IDMANUF (F07Eh / 3Fh)											ESFR					Reset value:0403h				
15	14	13	12	11	10	9	8	7	6	5	4	3	2	1	0					
MANUF											0	0	0	1	1					
R																				

**Table 74. MANUF description**

Bit	Function
MANUF	Manufacturer identifier 020h: STMicroelectronics manufacturer (JTAG worldwide normalization)

IDCHIP (F07Ch / 3Eh)											ESFR					Reset value:114xh				
15	14	13	12	11	10	9	8	7	6	5	4	3	2	1	0					
IDCHIP											REVID									
R											R									

**Table 75. IDCHIP description**

Bit	Function
IDCHIP	Device identifier 114h: ST10F276Z5 Identifier (276)
REVID	Device revision identifier Xh: According to revision number

IDMEM (F07Ah / 3Dh)											ESFR					Reset value:30D0h				
15	14	13	12	11	10	9	8	7	6	5	4	3	2	1	0					
MEMTYP					MEMSIZE															
R					R															

**Table 76. IDMEM description**

Bit	Function
MEMSIZE	Internal memory size Internal Memory size is 4 x (MEMSIZE) (in Kbyte) 0D0h for ST10F276Z5 (832 Kbytes)
MEMTYP	Internal memory type '0h': ROM-Less '1h': (M) ROM memory '2h': (S) Standard FLASH memory '3h': (H) High Performance FLASH memory (ST10F276Z5) '4h...Fh': reserved

IDPROG (F078h / 3Ch)					ESFR					Reset value:0040h					
15	14	13	12	11	10	9	8	7	6	5	4	3	2	1	0
PROGVPP					PROGVDD										
R					R										

**Table 77. IDPROG description**

Bit	Function
PROGVDD	Programming VDD voltage VDD voltage when programming EPROM or FLASH devices is calculated using the following formula: $VDD = 20 \times [PROGVDD] / 256$ (volts) - 40h for ST10F276Z5 (5 V).
PROGVPP	Programming VPP voltage (no need of external VPP) - 00h

*Note:* All identification words are read-only registers.

The values written inside different Identification Register bits are valid only after the Flash initialization phase is completed. When code execution is started from internal memory (pin  $\overline{EA}$  held high during reset), the Flash has completed its initialization, so the bits of Identification Registers are immediately ready to be read out. On the contrary, when code execution is started from external memory (pin  $\overline{EA}$  held low during reset), the Flash initialization is not yet completed, so the bits of Identification Registers are not ready. The user can poll bits 15 and 14 of IDMEM register: When both bits are read low, the Flash initialization is complete, so all Identification Register bits are correct.

Before Flash initialization completion, the default setting of the different identification registers are the following:

**Table 78. Identification register settings**

Register name	Value
IDMANUF	0403h
IDCHIP	114xh (x = silicon revision)
IDMEM	F0D0h
IDPROG	0040h



## 22.10 System configuration registers

The ST10F276Z5 registers are used for a different configuration of the overall system. These registers are described below.

SYSCON (FF12h / 89h)					SFR					Reset value: 0xx0h					
15	14	13	12	11	10	9	8	7	6	5	4	3	2	1	0
STKSZ	ROM S1	SGT DIS	ROM EN	BYT DIS	CLK EN	WR CFG	CS CFG	PWD CFG	OWD DIS	BDR STEN	XPEN	VISI BLE	XPER-SHARE		
RW	RW	RW	RW	RW	RW	RW	RW	RW	RW	RW	RW	RW	RW	RW	RW

Note: SYSCON Reset Value is: 0000 0xx0 0x00 0000b

**Table 79. SYSCON description**

Bit	Function
XPER-SHARE	XBUS peripheral share mode control '0': External accesses to XBUS peripherals are disabled. '1': XRAM1 and XRAM2 are accessible via the external bus during hold mode. External accesses to the other XBUS peripherals are not guaranteed in terms of AC timings.
VISIBLE	Visible mode control '0': Accesses to XBUS peripherals are done internally. '1': XBUS peripheral accesses are made visible on the external pins.
XPEN	XBUS peripheral enable bit '0': Accesses to the on-chip X-peripherals and XRAM are disabled. '1': The on-chip X-peripherals are enabled.
BDRSTEN	Bidirectional reset enable '0': $\overline{\text{RSTIN}}$ pin is an input pin only. SW Reset or WDT Reset have no effect on this pin. '1': $\overline{\text{RSTIN}}$ pin is a bidirectional pin. This pin is pulled low during internal reset sequence.
OWDDIS	Oscillator watchdog disable control '0': Oscillator Watchdog (OWD) is enabled. If PLL is bypassed, the OWD monitors XTAL1 activity. If there is no activity on XTAL1 for at least 1 $\mu\text{s}$ , the CPU clock is switched automatically to PLL's base frequency (from 750 kHz to 3 MHz). '1': OWD is disabled. If the PLL is bypassed, the CPU clock is always driven by XTAL1 signal. The PLL is turned off to reduce power supply current.
PWDCFG	Power-down mode configuration control '0': Power-down mode can only be entered during PWRDN instruction execution if NMI pin is low, otherwise the instruction has no effect. To exit Power-down mode, an external reset must occur by asserting the $\overline{\text{RSTIN}}$ pin. '1': Power-down mode can only be entered during PWRDN instruction execution if all enabled fast external interrupt EXxIN pins are in their inactive level. Exiting this mode can be done by asserting one enabled EXxIN pin or with external reset.
CSCFG	Chip select configuration control '0': Latched Chip Select lines, CSx changes 1 TCL after rising edge of ALE. '1': Unlatched Chip Select lines, CSx changes with rising edge of ALE.

**Table 79. SYSCON description (continued)**

Bit	Function
WRCFG	Write configuration control (inverted copy of WRC bit of RP0H) '0': Pins WR and BHE retain their normal function. '1': Pin WR acts as WRL, pin BHE acts as WRH.
CLKEN	System clock output enable (CLKOUT) '0': CLKOUT disabled, pin may be used for general purpose I/O. '1': CLKOUT enabled, pin outputs the system clock signal or a prescaled value of system clock according to XCLKOUTDIV register setting.
BYTDIS	Disable/enable control for pin BHE (set according to data bus width) '0': Pin BHE enabled. '1': Pin BHE disabled, pin may be used for general purpose I/O.
ROMEN	Internal memory enable (set according to pin EA during reset) '0': Internal memory disabled: Accesses to the IFlash Memory area use the external bus. '1': Internal memory enabled.
SGTDIS	Segmentation disable/enable control '0': Segmentation enabled (CSP is saved/restored during interrupt entry/exit). '1': Segmentation disabled (Only IP is saved/restored).
ROMS1	Internal memory mapping '0': Internal memory area mapped to segment 0 (00'0000h...00'7FFFh). '1': Internal memory area mapped to segment 1 (01'0000h...01'7FFFh).
STKSZ	System stack size Selects the size of the system stack (in the internal I-RAM) from 32 to 1024 words.

BUSCON0 (FF0Ch / 86h) SFR Reset value: 0xx0h

15	14	13	12	11	10	9	8	7	6	5	4	3	2	1	0
CSWEN0	CSREN0	RDYPOLO	RDYEN0	-	BUSACT0	ALECTL0	-	BTYP	MTTC0	RWDC0	MCTC				
RW	RW		RW		RW	RW		RW	RW	RW	RW				

BUSCON1 (FF14h / 8Ah) SFR Reset value: 0000h

15	14	13	12	11	10	9	8	7	6	5	4	3	2	1	0
CSWEN1	CSREN1	RDYPOL1	RDYEN1	-	BUSACT1	ALECTL1	-	BTYP	MTTC1	RWDC1	MCTC				
RW	RW	RW	RW		RW	RW		RW	RW	RW	RW				

BUSCON2 (FF16h / 8Bh) SFR Reset value: 0000h

15	14	13	12	11	10	9	8	7	6	5	4	3	2	1	0
CSWEN2	CSREN2	RDYPOL2	RDYEN2	-	BUSACT2	ALECTL2	-	BTYP	MTTC2	RWDC2	MCTC				
RW	RW		RW		RW	RW		RW	RW	RW	RW				

BUSCON3 (FF18h / 8Ch) SFR Reset value: 0000h

15	14	13	12	11	10	9	8	7	6	5	4	3	2	1	0
CSWEN3	CSREN3	RDYPOL3	RDYEN3	-	BUSACT3	ALECTL3	-	BTYP	MTTC3	RWDC3	MCTC				
RW	RW		RW		RW	RW		RW	RW	RW	RW				

BUSCON4 (FF1Ah / 8Dh)										SFR			Reset value: 0000h		
15	14	13	12	11	10	9	8	7	6	5	4	3	2	1	0
CSWEN4	CSREN4	RDYPOL4	RDYEN4	-	BUSACT4	ALECTL4	-	BTYP	MTC4	RWDC4	MCTC				
RW	RW		RW		RW	RW		RW	RW	RW	RW				

**Table 80. BUSCON4 description**

Bit	Function
MCTC	Memory cycle time control (number of memory cycle time wait-states) '0000': 15 wait-states (Number of wait-states = 15 - [MCTC]). ... '1111': No wait-states.
RWDCx	Read/Write delay control for BUSCONx '0': With read/write delay, the CPU inserts 1 TCL after falling edge of ALE. '1': No read/write delay, RW is activated after falling edge of ALE.
MTCx	Memory tri-state time control '0': 1 wait-state. '1': No wait-state.
BTYP <sup>(1)</sup>	External bus configuration '00': 8-bit Demultiplexed Bus '01': 8-bit Multiplexed Bus '10': 16-bit Demultiplexed Bus '11': 16-bit Multiplexed Bus Note: For BUSCON0 BTYP is defined via PORT0 during reset.
ALECTLx	ALE lengthening control '0': Normal ALE signal. '1': Lengthened ALE signal.
BUSACTx	Bus active control '0': External bus disabled. '1': External bus enabled (within the respective address window, see ADDRSEL).
RDYENx	Ready input enable '0': External bus cycle is controlled by bit field MCTC only. '1': External bus cycle is controlled by the $\overline{\text{READY}}$ input signal.
RDYPOLx	Ready active level control '0': Active level on the READY pin is low, bus cycle terminates with a '0' on READY pin. '1': Active level on the READY pin is high, bus cycle terminates with a '1' on READY pin.
CSRENx	Read chip select enable '0': The $\overline{\text{CS}}$ signal is independent of the read command ( $\overline{\text{RD}}$ ). '1': The $\overline{\text{CS}}$ signal is generated for the duration of the read command.
CSWENx	Write chip select enable '0': The $\overline{\text{CS}}$ signal is independent of the write command ( $\overline{\text{WR}}$ , $\overline{\text{WRL}}$ , $\overline{\text{WRH}}$ ). '1': The $\overline{\text{CS}}$ signal is generated for the duration of the write command.

1. BTYP (bit 6 and 7) is set according to the configuration of the bit I6 and I7 of PORT0 latched at the end of the reset sequence.

Note: *BUSCON0* is initialized with 0000h, if  $\overline{EA}$  pin is high during reset. If  $\overline{EA}$  pin is low during reset, bit *BUSACT0* and *ALECTRLO* are set to '1' and bit field *BTYP* is loaded with the bus configuration selected via *PORT0*.

RPOH (F108h / 84h)						ESFR				Reset value: --XXh					
15	14	13	12	11	10	9	8	7	6	5	4	3	2	1	0
-						CLKSEL				SALSEL		CSSEL		WRC	
						R				R		R		R	

**Table 81. RPOH description<sup>(1)</sup>**

Bit	Function
WRC <sup>(2)</sup>	Write configuration control '0': Pin $\overline{WR}$ acts as $\overline{WRL}$ , pin $\overline{BHE}$ acts as $\overline{WRH}$ '1': Pins $\overline{WR}$ and $\overline{BHE}$ retain their normal function
CSSEL <sup>(2)</sup>	Chip select line selection (number of active $\overline{CS}$ outputs) 0 0: 3 $\overline{CS}$ lines: $\overline{CS2} \dots \overline{CS0}$ 0 1: 2 $\overline{CS}$ lines: $\overline{CS1} \dots \overline{CS0}$ 1 0: No $\overline{CS}$ line at all 1 1: 5 $\overline{CS}$ lines: $\overline{CS4} \dots \overline{CS0}$ (Default without pull-downs)
SALSEL <sup>(2)</sup>	Segment address line selection (number of active segment address outputs) '00': 4-bit segment address: A19...A16 '01': No segment address lines at all '10': 8-bit segment address: A23...A16 '11': 2-bit segment address: A17...A16 (Default without pull-downs)
CLKSEL <sup>(2) (3)</sup>	System clock selection '000': $f_{CPU} = 16 \times f_{OSC}$ '001': $f_{CPU} = 0.5 \times f_{OSC}$ '010': $f_{CPU} = 10 \times f_{OSC}$ '011': $f_{CPU} = f_{OSC}$ '100': $f_{CPU} = 5 \times f_{OSC}$ '101': $f_{CPU} = 8 \times f_{OSC}$ '110': $f_{CPU} = 3 \times f_{OSC}$ '111': $f_{CPU} = 4 \times f_{OSC}$

1. RPOH is a read-only register.
2. These bits are set according to Port 0 configuration during any reset sequence.
3. RPOH.7 to RPOH.5 bits are loaded only during a long hardware reset. As pull-up resistors are active on each Port P0H pins during reset, RPOH default value is "FFh".

EXICON (F1C0h / E0h)								ESFR				Reset value: 0000h			
15	14	13	12	11	10	9	8	7	6	5	4	3	2	1	0
EXI7ES	EXI6ES	EXI5ES	EXI4ES	EXI3ES	EXI2ES	EXI1ES	EXI0ES								
RW	RW	RW	RW	RW	RW	RW	RW								

**Table 82. EXIxES bit description**

Bit	Function
EXIxES (x=7...0)	00 = Fast external interrupts disabled: Standard mode. EXxIN pin not taken in account for entering/exiting Power-down mode. 01 = Interrupt on positive edge (rising). Enter Power-down mode if EXiIN = '0', exit if EXxIN = '1' (referred as "high" active level) 10 = Interrupt on negative edge (falling). Enter Power-down mode if EXiIN = '1', exit if EXxIN = '0' (referred as "low" active level) 11 = Interrupt on any edge (rising or falling). Always enter Power-down mode, exit if EXxIN level changed.

EXISEL (F1DAh / EDh)				ESFR				Reset value: 0000h							
15	14	13	12	11	10	9	8	7	6	5	4	3	2	1	0
EXI7SS	EXI6SS	EXI5SS	EXI4SS	EXI3SS	EXI2SS	EXI1SS	EXI0SS								
RW	RW	RW	RW	RW	RW	RW	RW								

**Table 83. EXIxSS**

Bit	Function
EXIxSS	External Interrupt x Source Selection (x = 7...0) 00 = Input from associated Port 2 pin. 01 = Input from "alternate source". 10 = Input from Port 2 pin ORed with "alternate source". 11 = Input from Port 2 pin ANDed with "alternate source".

**Table 84. EXIxSS and port 2 pin configurations**

EXIxSS	Port 2 pin	Alternate source
0	P2.8	CAN1_RxD
1	P2.9	CAN2_RxD / SCL
2	P2.10	RTCSI (Second)
3	P2.11	RTCAI (Alarm)
4...7	P2.12...15	Not used (zero)

XP3IC (F19Eh / CFh)				ESFR				Reset value: --00h							
15	14	13	12	11	10	9	8	7	6	5	4	3	2	1	0
-	-	-	-	-	-	-	-	XP3IR	XP3IE		XP3ILVL			GLVL	
								RW	RW		RW			RW	

Note: 1. XP3IC register has the same bit field as xxIC interrupt registers

xxIC (yyyyh / zzh)				SFR area				Reset value: --00h							
15	14	13	12	11	10	9	8	7	6	5	4	3	2	1	0
-	-	-	-	-	-	-	-	xxIR	xxIE		ILVL			GLVL	
								RW	RW		RW			RW	



**Table 85. SFR area description**

Bit	Function
GLVL	Group level Defines the internal order for simultaneous requests of the same priority. '3': Highest group priority '0': Lowest group priority
ILVL	Interrupt priority level Defines the priority level for the arbitration of requests. 'Fh': Highest priority level '0h': Lowest priority level
xxIE	Interrupt enable control bit (individually enables/disables a specific source) '0': Interrupt request is disabled '1': Interrupt request is enabled
xxIR	Interrupt request flag '0': No request pending '1': This source has raised an interrupt request

XPERCON (F024h / 12h)					ESFR							Reset value:- 005h				
15	14	13	12	11	10	9	8	7	6	5	4	3	2	1	0	
-	-	-	-	-	XMISC EN	XI2C EN	XSSC EN	XASC EN	XPWM EN	XFLAS HEN	XRTC EN	XRAM2 EN	XRAM1 EN	CAN2 EN	CAN1 EN	
-	-	-	-	-	RW	RW	RW	RW	RW	RW	RW	RW	RW	RW	RW	

**Table 86. ESFR description**

Bit	Function
CAN1EN	CAN1 enable bit '0': Accesses to the on-chip CAN1 XPeripheral and its functions are disabled (P4.5 and P4.6 pins can be used as general purpose I/Os, but address range 00'EC00h-00'EFFFh is directed to external memory only if CAN2EN, XRTCEN, XASCEN, XSSCEN, XI2CEN, XPWMEN and XMISCEN are '0' also). '1': The on-chip CAN1 XPeripheral is enabled and can be accessed.
CAN2EN	CAN2 enable bit '0': Accesses to the on-chip CAN2 XPeripheral and its functions are disabled (P4.4 and P4.7 pins can be used as general purpose I/Os, but address range 00'EC00h-00'EFFFh is directed to external memory only if CAN1EN, XRTCEN, XASCEN, XSSCEN, XI2CEN, XPWMEN and XMISCEN are '0' also). '1': The on-chip CAN2 XPeripheral is enabled and can be accessed.
XRAM1EN	XRAM1 enable bit '0': Accesses to the on-chip 2 Kbyte XRAM are disabled. Address range 00'E000h-00'E7FFh is directed to external memory. '1': The on-chip 2 Kbyte XRAM is enabled and can be accessed.
XRAM2EN	XRAM2 enable bit '0': Accesses to the on-chip 64 Kbyte XRAM are disabled, external access performed. Address range 0F'0000h-0F'FFFFh is directed to external memory only if XFLASHEN is '0' also. '1': The on-chip 64 Kbyte XRAM is enabled and can be accessed.

Table 86. ESRF description (continued)

Bit	Function
XRTCEN	<p>RTC enable</p> <p>'0': Accesses to the on-chip RTC module are disabled, external access performed. Address range 00'ED00h-00'EDFF is directed to external memory only if CAN1EN, CAN2EN, XASCEN, XSSCEN, XI2CEN, XPWMEN and XMISCEN are '0' also.</p> <p>'1': The on-chip RTC module is enabled and can be accessed.</p>
XPWMEN	<p>XPWM enable</p> <p>'0': Accesses to the on-chip XPWM module are disabled, external access performed. Address range 00'EC00h-00'ECFF is directed to external memory only if CAN1EN, CAN2EN, XASCEN, XSSCEN, XI2CEN, XRTCEN and XMISCEN are '0' also.</p> <p>'1': The on-chip XPWM module is enabled and can be accessed.</p>
XFLASHEN	<p>XFlash enable bit</p> <p>'0': Accesses to the on-chip XFlash and Flash registers are disabled, external access performed. Address range 09'0000h-0E'FFFFh is directed to external memory only if XRAM2EN is '0' also.</p> <p>'1': The on-chip XFlash is enabled and can be accessed.</p>
XASCEN	<p>XASC enable bit</p> <p>'0': Accesses to the on-chip XASC are disabled, external access performed. Address range 00'E900h-00'E9FFh is directed to external memory only if CAN1EN, CAN2EN, XRTCEN, XASCEN, XI2CEN, XPWMEN and XMISCEN are '0' also.</p> <p>'1': The on-chip XASC is enabled and can be accessed.</p>
XSSCEN	<p>XSSC enable bit</p> <p>'0': Accesses to the on-chip XSSC are disabled, external access performed. Address range 00'E800h-00'E8FFh is directed to external memory only if CAN1EN, CAN2EN, XRTCEN, XASCEN, XI2CEN, XPWMEN and XMISCEN are '0' also.</p> <p>'1': The on-chip XSSC is enabled and can be accessed.</p>
XI2CEN	<p>I<sup>2</sup>C enable bit</p> <p>'0': Accesses to the on-chip I<sup>2</sup>C are disabled, external access performed. Address range 00'EA00h-00'EAFFh is directed to external memory only if CAN1EN, CAN2EN, XRTCEN, XASCEN, XSSCEN, XPWMEN and XMISCEN are '0' also.</p> <p>'1': The on-chip I<sup>2</sup>C is enabled and can be accessed.</p>
XMISCEN	<p>XBUS additional features enable bit</p> <p>'0': Accesses to the Additional Miscellaneous Features is disabled. Address range 00'EB00h-00'EBFFh is directed to external memory only if CAN1EN, CAN2EN, XRTCEN, XASCEN, XSSCEN, XPWMEN and XI2CEN are '0' also.</p> <p>'1': The Additional Features are enabled and can be accessed.</p>

When CAN1, CAN2, RTC, XASC, XSSC, I<sup>2</sup>C, XPWM and the XBUS Additional Features are all disabled via XPERCON setting, then any access in the address range 00'E800h - 00'EFFFh is directed to external memory interface, using the BUSCONx register corresponding to the address matching ADDRSELx register. All pins used for X-Peripherals can be used as General Purpose I/O whenever the related module is not enabled.

The default XPER selection after Reset is such that CAN1 is enabled, CAN2 is disabled, XRAM1 (2 Kbyte XRAM) is enabled and XRAM2 (64 Kbyte XRAM) is disabled; all the other X-Peripherals are disabled after Reset.

Register XPERCON cannot be changed after the global enabling of X-Peripherals, that is, after setting of bit XPEN in SYSCON register.

In Emulation mode, all the X-Peripherals are enabled (XPERCON bits are all set). The bondout chip determines whether or not to redirect an access to external memory or to XBUS.

Reserved bits of XPERCON register are always written to '0'.

Table 87 below summarizes the Segment 8 mapping that depends upon the  $\overline{EA}$  pin status during reset as well as the SYSCON (bit XPEN) and XPERCON (bits XRAM2EN and XFLASHEN) registers user programmed values.

**Table 87. Segment 8 address range mapping**

EA	XPEN	XRAM2EN	XFLASHEN	Segment 8
0	0	x	x	External memory
0	1	0	0	External memory
0	1	1	x	Reserved
0	1	x	1	Reserved
1	x	x	x	IFlash (B1F1)

Note: The symbol "x" in the table above stands for "do not care".

### 22.10.1 XPERCON and XPEREMU registers

As already mentioned, the XPERCON register must be programmed to enable the single XBUS modules separately. The XPERCON is a read/write ESFR register; the XPEREMU register is a write-only register mapped on XBUS memory space (address EB7Eh).

Once the XPEN bit of SYSCON register is set and at least one of the X-peripherals (except memories) is activated, the register XPEREMU must be written with the same content of XPERCON: This is mandatory in order to allow a correct emulation of the new set of features introduced on XBUS for the new ST10 generation. The following instructions must be added inside the initialization routine:

```
if (SYSCON.XPEN && (XPERCON & 0x07D3))
then { XPEREMU = XPERCON }
```

Of course, XPEREMU must be programmed after XPERCON and after SYSCON; in this way the final configuration for X-Peripherals is stored in XPEREMU and used for the emulation hardware setup.

XPEREMU (EB7Eh)					XBUS								Reset value xxxh:			
15	14	13	12	11	10	9	8	7	6	5	4	3	2	1	0	
-	-	-	-	-	XMISC EN	XI2C EN	XSSC EN	XASC EN	XPWM EN	XFLASHEN	XRTC EN	XRAM2 EN	XRAM1 EN	CAN2 EN	CAN1 EN	
-	-	-	-	-	RW	RW	RW	RW	RW	RW	RW	RW	RW	RW	RW	

Note: The bit meaning is exactly the same as in XPERCON.



## 22.11 Emulation dedicated registers

Four additional registers are implemented for emulation purposes only. Similarly to XPEREMU, they are write-only registers.

XEMU0 (EB76h)															XBUS		Reset value: xxxh		
15	14	13	12	11	10	9	8	7	6	5	4	3	2	1	0				
XEMU0(15:0)																			
W																			

XEMU1 (EB78h)															XBUS		Reset value: xxxh		
15	14	13	12	11	10	9	8	7	6	5	4	3	2	1	0				
XEMU1(15:0)																			
W																			

XEMU2 (EB7Ah)															XBUS		Reset value: xxxh:		
15	14	13	12	11	10	9	8	7	6	5	4	3	2	1	0				
XEMU2(15:0)																			
W																			

XEMU3 (EB7Ch)															XBUS		Reset value: xxxh		
15	14	13	12	11	10	9	8	7	6	5	4	3	2	1	0				
XEMU3(15:0)																			
W																			

## 23 Electrical characteristics

### 23.1 Absolute maximum ratings

Stresses above those listed under “Absolute Maximum Ratings” may cause permanent damage to the device. This is a stress rating only and functional operation of the device at these or any other conditions above those indicated in the operational sections of this specification is not implied. Exposure to absolute maximum rating conditions for extended periods may affect device reliability. During overload conditions ( $V_{IN} > V_{DD}$  or  $V_{IN} < V_{SS}$ ) the voltage on pins with respect to ground ( $V_{SS}$ ) must not exceed the values defined by the absolute maximum ratings.

During Power-on and Power-off transients (including Standby entering/exiting phases), the relationships between voltages applied to the device and the main  $V_{DD}$  must always be respected. In particular, power-on and power-off of  $V_{AREF}$  must be coherent with the  $V_{DD}$  transient, in order to avoid undesired current injection through the on-chip protection diodes.

**Table 88. Absolute maximum ratings**

Symbol	Parameter	Value	Unit
$V_{DD}$	Voltage on $V_{DD}$ pins with respect to ground ( $V_{SS}$ )	- 0.3 to +6.5	V
$V_{STBY}$	Voltage on $V_{STBY}$ pin with respect to ground ( $V_{SS}$ )		
$V_{AREF}$	Voltage on $V_{AREF}$ pin with respect to ground ( $V_{SS}$ )	- 0.3 to $V_{DD} + 0.3$	
$V_{AGND}$	Voltage on $V_{AGND}$ pin with respect to ground ( $V_{SS}$ )	$V_{SS}$	
$V_{IO}$	Voltage on any pin with respect to ground ( $V_{SS}$ )	- 0.5 to $V_{DD} + 0.5$	
$I_{OV}$	Input current on any pin during overload condition	$\pm 10$	mA
$I_{TOV}$	Absolute sum of all input currents during overload condition	75	
$T_{ST}$	Storage temperature	- 65 to +150	°C
ESD	ESD susceptibility (human body model)	2000	V

### 23.2 Recommended operating conditions

**Table 89. Recommended operating conditions**

Symbol	Parameter	Min.	Max.	Unit
$V_{DD}$	Operating supply voltage	4.5	5.5	V
$V_{STBY}$	Operating standby supply voltage <sup>(1)</sup>			
$V_{AREF}$	Operating analog reference voltage <sup>(2)</sup>	0	$V_{DD}$	
$T_A$	Ambient temperature under bias	-40	+125	°C
$T_J$	Junction temperature under bias		+150	

1. The value of the  $V_{STBY}$  voltage is specified in the range 4.5 - 5.5 V. Nevertheless, it is acceptable to exceed the upper limit (up to 6.0 V) for a maximum of 100 hrs over the global 300000 hrs, representing the lifetime of the device (about 30 years). On the other hand, it is possible to exceed the lower limit (down to 4.0 V) whenever RTC and 32 kHz on-chip oscillator amplifier are turned off (only Standby RAM powered through  $V_{STBY}$  pin in Standby mode). When  $V_{STBY}$  voltage is lower than main  $V_{DD}$ , the input section of  $V_{STBY}/EA$  pin can generate a spurious static consumption on  $V_{DD}$  power supply (in the range of tenth of 1 mA).
2. For details on operating conditions concerning the usage of A/D converter, refer to [Section 23.7](#).

### 23.3 Power considerations

The average chip-junction temperature,  $T_J$ , in degrees Celsius, is calculated using the following equation:

$$T_J = T_A + (P_D \times \Theta_{JA}) \quad (1)$$

Where:

$T_A$  is the Ambient Temperature in °C,

$\Theta_{JA}$  is the Package Junction-to-Ambient Thermal Resistance, in °C/W,

$P_D$  is the sum of  $P_{INT}$  and  $P_{I/O}$  ( $P_D = P_{INT} + P_{I/O}$ ),

$P_{INT}$  is the product of  $I_{DD}$  and  $V_{DD}$ , expressed in Watt. This is the Chip Internal Power,

$P_{I/O}$  represents the Power Dissipation on Input and Output Pins; user determined.

Most often in applications,  $P_{I/O} < P_{INT}$ , which may be ignored. On the other hand,  $P_{I/O}$  may be significant if the device is configured to continuously drive external modules and/or memories.

An approximate relationship between  $P_D$  and  $T_J$  (if  $P_{I/O}$  is neglected) is given by:

$$P_D = K / (T_J + 273 \text{ °C}) \quad (2)$$

Therefore (solving equations 1 and 2):

$$K = P_D \times (T_A + 273 \text{ °C}) + \Theta_{JA} \times P_D^2 \quad (3)$$

Where:

$K$  is a constant for the particular part, which may be determined from equation (3) by measuring  $P_D$  (at equilibrium) for a known  $T_A$ . Using this value of  $K$ , the values of  $P_D$  and  $T_J$  are obtained by solving equations (1) and (2) iteratively for any value of  $T_A$ .

**Table 90. Thermal characteristics**

Symbol	Description	Value (typical)	Unit
$\Theta_{JA}$	Thermal resistance junction-ambient		
	PQFP 144 - 28 x 28 x 3.4 mm / 0.65 mm pitch	30	°C/W
	LQFP 144 - 20 x 20 mm / 0.5 mm pitch	40	
	LQFP 144 - 20 x 20 mm / 0.5 mm pitch on four layer FR4 board (2 layers signals / 2 layers power)	35	

Based on thermal characteristics of the package and with reference to the power consumption figures provided in the next tables and diagrams, the following product classification can be proposed. In any case, the exact power consumption of the device inside the application must be computed according to different working conditions, thermal profiles, real thermal resistance of the system (including printed circuit board or other substrata) and I/O activity.

**Table 91. Package characteristics**

Package	Operating temperature	CPU frequency range
Die	- 40 / +125 °C	1 – 64 MHz
PQFP 144		
LQFP 144		1 – 40 MHz
LQFP 144	-40/+105 °C	1 – 48 MHz

### 23.4 Parameter interpretation

The parameters listed in the following tables represent the characteristics of the ST10F276Z5 and its demands on the system.

Where the ST10F276Z5 logic provides signals with their respective timing characteristics, the symbol “CC” (Controller Characteristics) is included in the “Symbol” column. Where the external system must provide signals with their respective timing characteristics to the device, the symbol “SR” (System Requirement) is included in the “Symbol” column.

### 23.5 DC characteristics

$V_{DD} = 5\text{ V} \pm 10\%$ ,  $V_{SS} = 0\text{ V}$ ,  $T_A = -40\text{ to }+125\text{ °C}$ .

**Table 92. DC characteristics**

Symbol	Parameter	Test Condition	Limit values		Unit
			Min.	Max.	
$V_{IL}$ SR	Input low voltage (TTL mode) (except $\overline{RSTIN}$ , $\overline{EA}$ , $\overline{NMI}$ , RPD, XTAL1, READY)	–	– 0.3	0.8	V
$V_{ILS}$ SR	Input low voltage (CMOS mode) (except $\overline{RSTIN}$ , $\overline{EA}$ , $\overline{NMI}$ , RPD, XTAL1, READY)	–	– 0.3	$0.3 V_{DD}$	
$V_{IL1}$ SR	Input low voltage $\overline{RSTIN}$ , $\overline{EA}$ , $\overline{NMI}$ , RPD	–	– 0.3	$0.3 V_{DD}$	
$V_{IL2}$ SR	Input low voltage XTAL1 (CMOS only)	Direct drive mode	– 0.3	$0.3 V_{DD}$	
$V_{IL3}$ SR	Input low voltage READY (TTL only)	–	– 0.3	0.8	

Table 92. DC characteristics (continued)

Symbol	Parameter	Test Condition	Limit values		Unit
			Min.	Max.	
$V_{IH}$ SR	Input high voltage (TTL mode) (except $\overline{RSTIN}$ , $\overline{EA}$ , $\overline{NMI}$ , RPD, XTAL1)	–	2.0	$V_{DD} + 0.3$	V
$V_{IHS}$ SR	Input high voltage (CMOS mode) (except $\overline{RSTIN}$ , $\overline{EA}$ , $\overline{NMI}$ , RPD, XTAL1)	–	$0.7 V_{DD}$	$V_{DD} + 0.3$	
$V_{IH1}$ SR	Input high voltage $\overline{RSTIN}$ , $\overline{EA}$ , $\overline{NMI}$ , RPD	–	$0.7 V_{DD}$	$V_{DD} + 0.3$	
$V_{IH2}$ SR	Input high voltage XTAL1 (CMOS only)	Direct Drive mode	$0.7 V_{DD}$	$V_{DD} + 0.3$	
$V_{IH3}$ SR	Input high voltage READY (TTL only)	–	2.0	$V_{DD} + 0.3$	
VHYS CC	Input hysteresis (TTL mode) (except $\overline{RSTIN}$ , $\overline{EA}$ , $\overline{NMI}$ , XTAL1, RPD)	(3)	400	700	mV
VHYS $\overline{CC}$	Input Hysteresis (CMOS mode) (except $\overline{RSTIN}$ , $\overline{EA}$ , $\overline{NMI}$ , XTAL1, RPD)	(3)	750	1400	
VHYS1 $\overline{CC}$	Input hysteresis $\overline{RSTIN}$ , $\overline{EA}$ , $\overline{NMI}$	(3)	750	1400	
VHYS2 $\overline{CC}$	Input hysteresis XTAL1	(3)	0	50	
VHYS3 $\overline{CC}$	Input hysteresis READY (TTL only)	(3)	400	700	
VHYS4 $\overline{CC}$	Input hysteresis RPD	(3)	500	1500	
$V_{OL}$ CC	Output low voltage (P6[7:0], ALE, RD, $\overline{WR/WRL}$ , $\overline{BHE/WRH}$ , CLKOUT, $\overline{RSTIN}$ , $\overline{RSTOUT}$ )	$I_{OL} = 8 \text{ mA}$ $I_{OL} = 1 \text{ mA}$	–	0.4 0.05	V
$V_{OL1}$ CC	Output low voltage (P0[15:0], P1[15:0], P2[15:0], P3[15,13:0], P4[7:0], P7[7:0], P8[7:0])	$I_{OL1} = 4 \text{ mA}$ $I_{OL1} = 0.5 \text{ mA}$	–	0.4 0.05	
$V_{OL2}$ CC	Output low voltage RPD	$I_{OL2} = 85 \mu\text{A}$ $I_{OL2} = 80 \mu\text{A}$ $I_{OL2} = 60 \mu\text{A}$	–	$V_{DD}$ $0.5 V_{DD}$ $0.3 V_{DD}$	
$V_{OH}$ CC	Output high voltage (P6[7:0], ALE, RD, $\overline{WR/WRL}$ , $\overline{BHE/WRH}$ , CLKOUT, $\overline{RSTOUT}$ )	$I_{OH} = -8 \text{ mA}$ $I_{OH} = -1 \text{ mA}$	$V_{DD} - 0.8$ $V_{DD} - 0.08$	–	
$V_{OH1}$ CC	Output high voltage <sup>(1)</sup> (P0[15:0], P1[15:0], P2[15:0], P3[15,13:0], P4[7:0], P7[7:0], P8[7:0])	$I_{OH1} = -4 \text{ mA}$ $I_{OH1} = -0.5 \text{ mA}$	$V_{DD} - 0.8$ $V_{DD} - 0.08$	–	
$V_{OH2}$ CC	Output high voltage RPD	$I_{OH2} = -2 \text{ mA}$ $I_{OH2} = -750 \mu\text{A}$ $I_{OH2} = -150 \mu\text{A}$	0 $0.3 V_{DD}$ $0.5 V_{DD}$	–	

Table 92. DC characteristics (continued)

Symbol	Parameter	Test Condition	Limit values		Unit
			Min.	Max.	
$ I_{OZ1} $ <b>CC</b>	Input leakage current (P5[15:0]) <sup>(2)</sup>	–	–	±0.2	μA
$ I_{OZ2} $ <b>CC</b>	Input leakage current (all except P5[15:0], P2.0, RPD)	–	–	±0.5	
$ I_{OZ3} $ <b>CC</b>	Input leakage current (P2.0) <sup>(3)</sup>	–	–	+1.0 –0.5	
$ I_{OZ4} $ <b>CC</b>	Input leakage current (RPD)	–	–	±3.0	
$ I_{OV1} $ <b>SR</b>	Overload current (all except P2.0)	<sup>(4)</sup> <sup>(5)</sup>	–	±5	mA
$ I_{OV2} $ <b>SR</b>	Overload current (P2.0) <sup>(3)</sup>	<sup>(4)</sup> <sup>(5)</sup>	–	+5 –1	mA
$R_{RST}$ <b>CC</b>	$\overline{RSTIN}$ pull-up resistor	100 kΩ nominal	50	250	kΩ
$I_{RWH}$	Read/Write inactive current <sup>(6)</sup> <sup>(7)</sup>	$V_{OUT} = 2.4\text{ V}$	–	–40	μA
$I_{RWL}$	Read/Write active current <sup>(6)</sup> <sup>(8)</sup>	$V_{OUT} = 0.4\text{ V}$	–500	–	
$I_{ALEL}$	ALE inactive current <sup>(6)</sup> <sup>(7)</sup>	$V_{OUT} = 0.4\text{ V}$	20	–	
$I_{ALEH}$	ALE active current <sup>(6)</sup> <sup>(8)</sup>	$V_{OUT} = 2.4\text{ V}$	–	300	
$I_{P6H}$	Port 6 inactive current (P6[4:0]) <sup>(6)</sup> <sup>(7)</sup>	$V_{OUT} = 2.4\text{ V}$	–	–40	
$I_{P6L}$	Port 6 active current (P6[4:0]) <sup>(6)</sup> <sup>(8)</sup>	$V_{OUT} = 0.4\text{ V}$	–500	–	
$I_{P0H}$ <sup>(6)</sup>	PORT0 configuration current <sup>(6)</sup>	$V_{IN} = 2.0\text{ V}$	–	–10	
$I_{P0L}$ <sup>(7)</sup>		$V_{IN} = 0.8\text{ V}$	–100	–	
$C_{IO}$ <b>CC</b>	Pin capacitance (digital inputs / outputs)	<sup>(4)</sup> <sup>(6)</sup>	–	10	pF
$I_{CC1}$	Run mode power supply current <sup>(9)</sup> (execution from internal RAM)	–	–	$20 + 2 f_{CPU}$	mA
$I_{CC2}$	Run mode power supply current <sup>(4)</sup> <sup>(9)</sup> (execution from internal Flash)	–	–	$20 + 1.8 f_{CPU}$	mA
$I_{ID}$	Idle mode supply current <sup>(10)</sup>	–	–	$20 + 0.6 f_{CPU}$	mA
$I_{PD1}$	Power-down supply current <sup>(11)</sup> (RTC off, oscillators off, main voltage regulator off)	$T_A = 25\text{ °C}$	–	1	mA
$I_{PD2}$	Power-down supply current <sup>(11)</sup> (RTC on, main oscillator on, main voltage regulator off)	$T_A = 25\text{ °C}$	–	8	mA
$I_{PD3}$	Power-down supply current <sup>(11)</sup> (RTC on, 32 kHz oscillator on, main voltage regulator off)	$T_A = 25\text{ °C}$	–	1.1	mA
$I_{SB1}$	Standby supply current <sup>(11)</sup> (RTC off, Oscillators off, VDD off, VSTBY on)	$V_{STBY} = 5.5\text{ V}$ $T_A = T_J = 25\text{ °C}$	–	250	μA
		$V_{STBY} = 5.5\text{ V}$ $T_A = T_J = 125\text{ °C}$	–	500	μA

Table 92. DC characteristics (continued)

Symbol	Parameter	Test Condition	Limit values		Unit
			Min.	Max.	
I <sub>SB2</sub>	Standby supply current <sup>(11)</sup> (RTC on, 32 kHz Oscillator on, main VDD off, VSTBY on)	V <sub>STBY</sub> = 5.5 V T <sub>A</sub> = 25 °C	–	250	μA
		V <sub>STBY</sub> = 5.5 V T <sub>A</sub> = 125 °C	–	500	μA
I <sub>SB3</sub>	Standby supply current <sup>(4) (11)</sup> (VDD transient condition)	–	–	2.5	mA

- This specification is not valid for outputs which are switched to open drain mode. In this case the respective output floats and the voltage is imposed by the external circuitry.
- Port 5 leakage values are granted for not selected A/D converter channel. One channels is always selected (by default, after reset, P5.0 is selected). For the selected channel the leakage value is similar to that of other port pins.
- The leakage of P2.0 is higher than other pins due to the additional logic (pass gates active only in specific test modes) implemented on input path. Pay attention to not stress P2.0 input pin with negative overload beyond the specified limits: Failures in Flash reading may occur (sense amplifier perturbation). Refer to next [Figure 44](#) for a scheme of the input circuitry.
- Not 100% tested, guaranteed by design characterization.
- Overload conditions occur if the standard operating conditions are exceeded, that is, the voltage on any pin exceeds the specified range (that is, V<sub>OV</sub> > V<sub>DD</sub> + 0.3 V or V<sub>OV</sub> < –0.3 V). The absolute sum of input overload currents on all port pins may not exceed 50 mA. The supply voltage must remain within the specified limits.
- This specification is only valid during Reset, or during Hold- or Adapt-mode. Port 6 pins are only affected if they are used for CS output and the open drain function is not enabled.
- The maximum current may be drawn while the respective signal line remains inactive.
- The minimum current must be drawn in order to drive the respective signal line active.
- The power supply currents, I<sub>CC1</sub> and I<sub>CC2</sub>, are function of the operating frequency (f<sub>CPU</sub> is expressed in MHz). This dependency is illustrated in the [Figure 45](#) below. These parameters are tested at V<sub>DDmax</sub> and at maximum CPU clock frequency with all outputs disconnected and all inputs at V<sub>IL</sub> or V<sub>IH</sub>, RSTIN pin at V<sub>IH1min</sub>: **This implies I/O current is not considered.** The device performs the following actions:
  - Fetching code from IRAM and XRAM1 (for I<sub>CC1</sub>) or from all sectors of both IFlash and XFlash (for I<sub>CC2</sub>), accessing in read and write to both XRAM modules
  - Watchdog Timer is enabled and regularly serviced
  - RTC is running with main oscillator clock as reference, generating a tick interrupts every 192 clock cycles
  - Four channels of XPWM are running (waves period: 2, 2.5, 3 and 4 CPU clock cycles): No output toggling
  - Five General Purpose Timers are running in timer mode with prescaler equal to 8 (T2, T3, T4, T5, T6)
  - ADC is in Auto Scan Continuous Conversion mode on all 16 channels of Port5
  - All interrupts generated by XPWM, RTC, Timers and ADC are not serviced
- The Idle mode supply current is a function of the operating frequency (f<sub>CPU</sub> is expressed in MHz). This dependency is illustrated in the [Figure 44](#) below. These parameters are tested and at maximum CPU clock with all outputs disconnected and all inputs at V<sub>IL</sub> or V<sub>IH</sub>, RSTIN pin at V<sub>IH1min</sub>.
- This parameter is tested including leakage currents. All inputs (including pins configured as inputs) at 0 to 0.1 V or at V<sub>DD</sub> – 0.1 V to V<sub>DD</sub>, V<sub>AREF</sub> = 0 V, all outputs (including pins configured as outputs) disconnected. Furthermore, the Main Voltage Regulator is assumed off: In case it is not, additional 1mA shall be assumed.

Figure 44. Port2 test mode structure

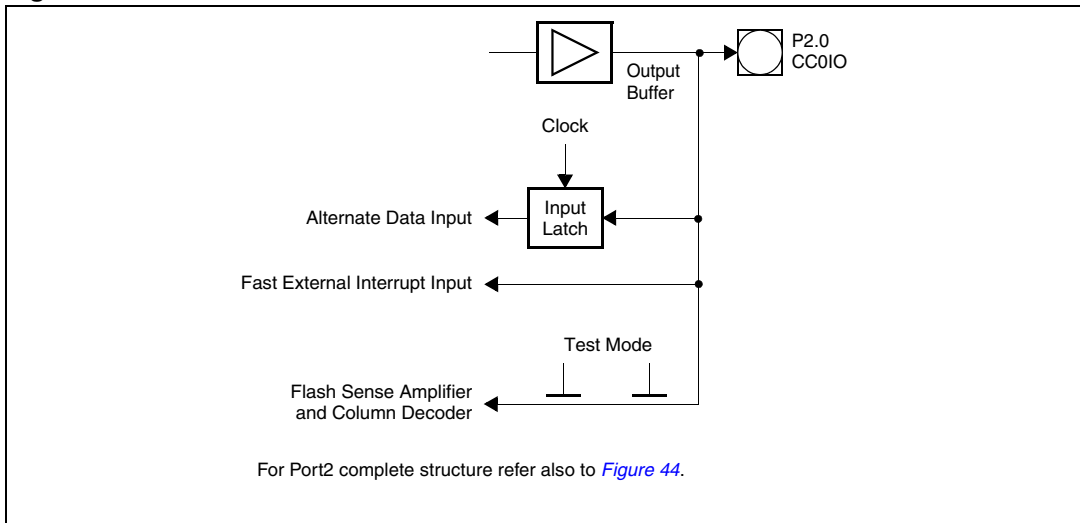
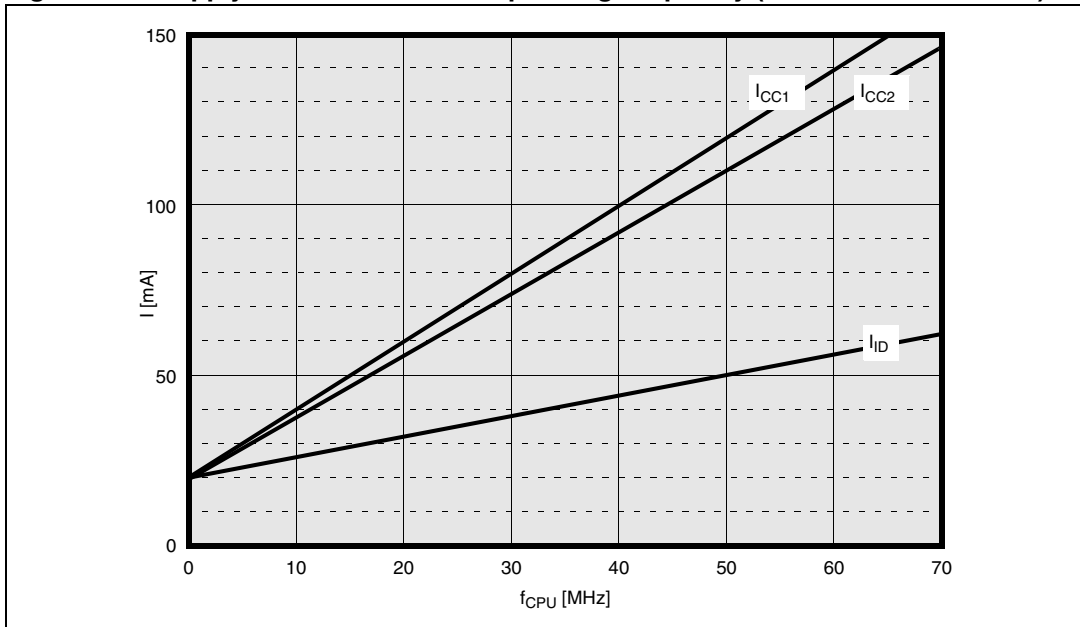


Figure 45. Supply current versus the operating frequency (RUN and IDLE modes)





## 23.6 Flash characteristics

$V_{DD} = 5\text{ V} \pm 10\%$ ,  $V_{SS} = 0\text{ V}$

**Table 93. Flash characteristics**

Parameter	Typical $T_A = 25\text{ °C}$	Maximum $T_A = 125\text{ °C}$		Unit	Notes
	0 cycles <sup>(1)</sup>	0 cycles <sup>(1)</sup>	100k cycles		
Word program (32-bit) <sup>(2)</sup>	35	80	290	μs	–
Double word program (64-bit) <sup>(2)</sup>	60	150	570	μs	–
Bank 0 program (384K) (double word program)	2.9	7.4	28.0	s	–
Bank 1 program (128K) (double word program)	1.0	2.5	9.3	s	–
Bank 2 program (192K) (double word program)	1.5	3.7	14.0	s	–
Bank 3 program (128K) (double word program)	1.0	2.5	9.3	s	–
Sector erase (8K)	0.6 0.5	0.9 0.8	1.0 0.9	s	not preprogrammed preprogrammed
Sector erase (32K)	1.1 0.8	2.0 1.8	2.7 2.5	s	not preprogrammed preprogrammed
Sector erase (64K)	1.7 1.3	3.7 3.3	5.1 4.7	s	not preprogrammed preprogrammed
Bank 0 erase (384K) <sup>(3)</sup>	8.2 5.8	20.2 17.7	28.6 26.1	s	not preprogrammed preprogrammed
Bank 1 erase (128K) <sup>(3)</sup>	3.0 2.2	7.0 6.2	9.8 9.0	s	not preprogrammed preprogrammed
Bank 2 erase (192K) <sup>(3)</sup>	4.3 3.1	10.3 9.1	14.5 13.3	s	not preprogrammed preprogrammed
Bank 3 erase (128K) <sup>(3)</sup>	3.0 2.2	7.0 6.2	9.8 9.0	s	not preprogrammed preprogrammed
I-Module erase (512K) <sup>(4)</sup>	11.2 7.6	27.2 23.5	38.4 34.7	s	not preprogrammed preprogrammed
X-Module erase (320K) <sup>(4)</sup>	7.3 4.9	17.3 14.8	24.3 21.8	s	not preprogrammed preprogrammed
Chip erase (832K) <sup>(5)</sup>	18.5 12.0	44.4 37.9	62.6 56.1	s	not preprogrammed preprogrammed
Recovery from Power-down ( $t_{PD}$ )	–	40	40	μs	<sup>(6)</sup>
Program suspend latency <sup>(6)</sup>	–	10	10	μs	

**Table 93. Flash characteristics (continued)**

Parameter	Typical T <sub>A</sub> = 25 °C	Maximum T <sub>A</sub> = 125 °C		Unit	Notes
	0 cycles <sup>(1)</sup>	0 cycles <sup>(1)</sup>	100k cycles		
Erase suspend latency <sup>(6)</sup>	–	30	30	µs	
Erase suspend request Rate <sup>(6)</sup>	20	20	20	ms	Min delay between two requests
Set protection <sup>(6)</sup>	40	170	170	µs	

1. The figures are given after about 100 cycles due to testing routines (0 cycles at the final customer).
2. Word and Double Word Programming times are provided as average value derived from a full sector programming time: Absolute value of a Word or Double Word Programming time could be longer than the provided average value.
3. Bank Erase is obtained through a multiple Sector Erase operation (setting bits related to all sectors of the Bank).
4. Module Erase is obtained through a sequence of two Bank Erase operations (since each module is composed by two Banks).
5. Chip Erase is obtained through a sequence of two Module Erase operations on I- and X-Module.
6. Not 100% tested, guaranteed by design characterization

**Table 94. Data retention characteristics**

Number of program / erase cycles (-40 °C ≤ T <sub>A</sub> ≤ 125 °C)	Data retention time (average ambient temperature 60 °C)	
	832 Kbyte (code store)	64 Kbyte (EEPROM emulation) <sup>(1)</sup>
0 - 100	> 20 years	> 20 years
1000	-	> 20 years
10000	-	10 years
100000	-	1 year

1. Two 64 Kbyte Flash Sectors may be typically used to emulate up to 4, 8 or 16 Kbytes of EEPROM. Therefore, in case of an emulation of a 16 Kbyte EEPROM, 100000 Flash Program / Erase cycles are equivalent to 800000 EEPROM Program/Eraser cycles. For an efficient use of the Read While Write feature and/or EEPROM Emulation please refer to dedicated Application Note document (AN2061 - EEPROM Emulation with ST10F2xx). Contact your local field service, local sales person or STMicroelectronics representative to obtain a copy of such a guideline document.

## 23.7 A/D converter characteristics

$V_{DD} = 5\text{ V} \pm 10\%$ ,  $V_{SS} = 0\text{ V}$ ,  $T_A = -40\text{ to }+125\text{ }^\circ\text{C}$ ,  $4.5\text{ V} \leq V_{AREF} \leq V_{DD}$ ,  
 $V_{SS} \leq V_{AGND} \leq V_{SS} + 0.2\text{ V}$

**Table 95. A/D converter characteristics**

Symbol	Parameter	Test condition	Limit values		Unit
			Min.	Max.	
$V_{AREF}$ SR	Analog reference voltage <sup>(1)</sup>		4.5	$V_{DD}$	V
$V_{AGND}$ SR	Analog ground voltage		$V_{SS}$	$V_{SS} + 0.2$	V
$V_{AIN}$ SR	Analog Input voltage <sup>(2)</sup>		$V_{AGND}$	$V_{AREF}$	V
$I_{AREF}$ CC	Reference supply current	Running mode (3)Power-down mode	–	5 1	mA $\mu$ A
$t_S$ CC	Sample time	(4)	1	–	$\mu$ s
$t_C$ CC	Conversion time	(5)	3	–	$\mu$ s
DNL CC	Differential nonlinearity <sup>(6)</sup>	No overload	–1	+1	LSB
INL CC	Integral nonlinearity <sup>(6)</sup>	No overload	–1.5	+1.5	LSB
OFS CC	Offset error <sup>(6)</sup>	No overload	–1.5	+1.5	LSB
TUE CC	Total unadjusted error <sup>(6)</sup>	Port5 Port1 - No overload <sup>(3)</sup> Port1 - Overload <sup>(3)</sup>	–2.0 –5.0 –7.0	+2.0 +5.0 +7.0	LSB LSB LSB
K CC	Coupling factor between inputs <sup>(3) (7)</sup>	On both Port5 and Port1	–	$10^{-6}$	–
$C_{P1}$ CC	Input pin capacitance <sup>(3) (8)</sup>		–	3	pF
$C_{P2}$ CC		Port5 Port1	–	4 6	pF pF
$C_S$ CC	Sampling capacitance <sup>(3)(8)</sup>		–	3.5	pF
$R_{SW}$ CC	Analog switch resistance <sup>(3) (8)</sup>	Port5	–	600	W
$R_{AD}$ CC		Port1	–	1600	W
			–	1300	W

- $V_{AREF}$  can be tied to ground when A/D converter is not in use: An extra consumption (around  $200\mu\text{A}$ ) on main  $V_{DD}$  is added due to internal analog circuitry not completely turned off. Therefore, it is suggested to maintain the  $V_{AREF}$  at  $V_{DD}$  level even when not in use, and eventually switch off the A/D converter circuitry setting bit ADOFF in ADCON register.
- $V_{AIN}$  may exceed  $V_{AGND}$  or  $V_{AREF}$  up to the absolute maximum ratings. However, the conversion result in these cases will be  $0x000_H$  or  $0x3FF_H$ , respectively.
- Not 100% tested, guaranteed by design characterization.
- During the sample time, the input capacitance  $C_{AIN}$  can be charged/discharged by the external source. The internal resistance of the analog source must allow the capacitance to reach its final voltage level within  $t_S$ . After the end of the sample time  $t_S$ , changes of the analog input voltage have no effect on the conversion result.  
Values for the sample clock  $t_S$  depend on programming and can be taken from [Table 96](#).
- This parameter includes the sample time  $t_S$ , the time for determining the digital result and the time to load the result register with the conversion result. Values for the conversion clock  $t_C$  depend on programming and can be taken from next [Table 96](#).

6. DNL, INL, OFS and TUE are tested at  $V_{AREF} = 5.0\text{ V}$ ,  $V_{AGND} = 0\text{ V}$ ,  $V_{DD} = 5.0\text{ V}$ . It is guaranteed by design characterization for all other voltages within the defined voltage range.  
 "LSB" has a value of  $V_{AREF}/1024$ .  
 For Port5 channels, the specified TUE ( $\pm 2\text{LSB}$ ) is also guaranteed with an overload condition (see  $I_{OV}$  specification) occurring on a maximum of 2 not selected analog input pins of Port5 and the absolute sum of input overload currents on all Port5 analog input pins does not exceed 10 mA.  
 For Port1 channels, the specified TUE is guaranteed when no overload condition is applied to Port1 pins: When an overload condition occurs on a maximum of 2 not selected analog input pins of Port1 and the input positive overload current on all analog input pins does not exceed 10 mA (either dynamic or static injection), the specified TUE is degraded ( $\pm 7\text{LSB}$ ). To obtain the same accuracy, the negative injection current on Port1 pins shall not exceed -1mA in case of both dynamic and static injection.
7. The coupling factor is measured on a channel while an overload condition occurs on the adjacent not selected channels with the overload current within the different specified ranges (for both positive and negative injection current).
8. Refer to scheme shown in [Figure 47](#).

### 23.7.1 Conversion timing control

When a conversion starts, first the capacitances of the converter are loaded via the respective analog input pin to the current analog input voltage. The time to load the capacitances is referred to as sample time. Next, the sampled voltage is converted in several successive steps into a digital value, which corresponds to the 10-bit resolution of the ADC. During these steps the internal capacitances are repeatedly charged and discharged via the  $V_{AREF}$  pin.

The current that must be drawn from the sources for sampling and changing charges depends on the duration of each step because the capacitors must reach their final voltage level within the given time, at least with a certain approximation. However, the maximum current that a source can deliver depends on its internal resistance.

The time that the two different actions take during conversion (sampling and converting) can be programmed within a certain range in the device relative to the CPU clock. The absolute time consumed by the different conversion steps is therefore independent from the general speed of the controller. This allows adjusting the device A/D converter to the properties of the system:

**Fast conversion** can be achieved by programming the respective times to their absolute possible minimum. This is preferable for scanning high frequency signals. However, the internal resistance of analog source and analog supply must be sufficiently low.

**High internal resistance** can be achieved by programming the respective times to a higher value or to the possible maximum. This is preferable when using analog sources and supply with a high internal resistance in order to keep the current as low as possible. However, the conversion rate in this case may be considerably lower.

The conversion times are programmed via the upper 4 bits of register ADCON. Bit fields ADCTC and ADSTC define the basic conversion time and in particular the partition between the sample phase and comparison phases. The table below lists the possible combinations. The timings refer to the unit TCL, where  $f_{CPU} = 1/2TCL$ . A complete conversion time includes the conversion itself, the sample time and the time required to transfer the digital value to the result register.

**Table 96. A/D Converter programming**

ADCTC	ADSTC	Sample	Comparison	Extra	Total conversion
00	00	TCL * 120	TCL * 240	TCL * 28	TCL * 388
00	01	TCL * 140	TCL * 280	TCL * 16	TCL * 436

**Table 96. A/D Converter programming (continued)**

ADCTC	ADSTC	Sample	Comparison	Extra	Total conversion
00	10	TCL * 200	TCL * 280	TCL * 52	TCL * 532
00	11	TCL * 400	TCL * 280	TCL * 44	TCL * 724
11	00	TCL * 240	TCL * 480	TCL * 52	TCL * 772
11	01	TCL * 280	TCL * 560	TCL * 28	TCL * 868
11	10	TCL * 400	TCL * 560	TCL * 100	TCL * 1060
11	11	TCL * 800	TCL * 560	TCL * 52	TCL * 1444
10	00	TCL * 480	TCL * 960	TCL * 100	TCL * 1540
10	01	TCL * 560	TCL * 1120	TCL * 52	TCL * 1732
10	10	TCL * 800	TCL * 1120	TCL * 196	TCL * 2116
10	11	TCL * 1600	TCL * 1120	TCL * 164	TCL * 2884

*Note:* The total conversion time is compatible with the formula valid for ST10F269, while the meaning of the bit fields ADCTC and ADSTC is no longer compatible: The minimum conversion time is 388 TCL, which at 40 MHz CPU frequency corresponds to 4.85µs (see ST10F269).

### 23.7.2 A/D conversion accuracy

The A/D converter compares the analog voltage sampled on the selected analog input channel to its analog reference voltage ( $V_{AREF}$ ) and converts it into 10-bit digital data. The absolute accuracy of the A/D conversion is the deviation between the input analog value and the output digital value. It includes the following errors:

- Offset error (OFS)
- Gain error (GE)
- Quantization error
- Nonlinearity error (differential and integral)

These four error quantities are explained below using [Figure 46](#).

#### Offset error

Offset error is the deviation between actual and ideal A/D conversion characteristics when the digital output value changes from the minimum (zero voltage) 00 to 01 ([Figure 46](#), see OFS).

#### Gain error

Gain error is the deviation between the actual and ideal A/D conversion characteristics when the digital output value changes from the 3FE to the maximum 3FF, once offset error is subtracted. Gain error combined with offset error represents the so-called full-scale error ([Figure 46](#), OFS + GE).

#### Quantization error

Quantization error is the intrinsic error of the A/D converter and is expressed as 1/2 LSB.

### Nonlinearity error

Nonlinearity error is the deviation between actual and the best-fitting A/D conversion characteristics (see [Figure 46](#)):

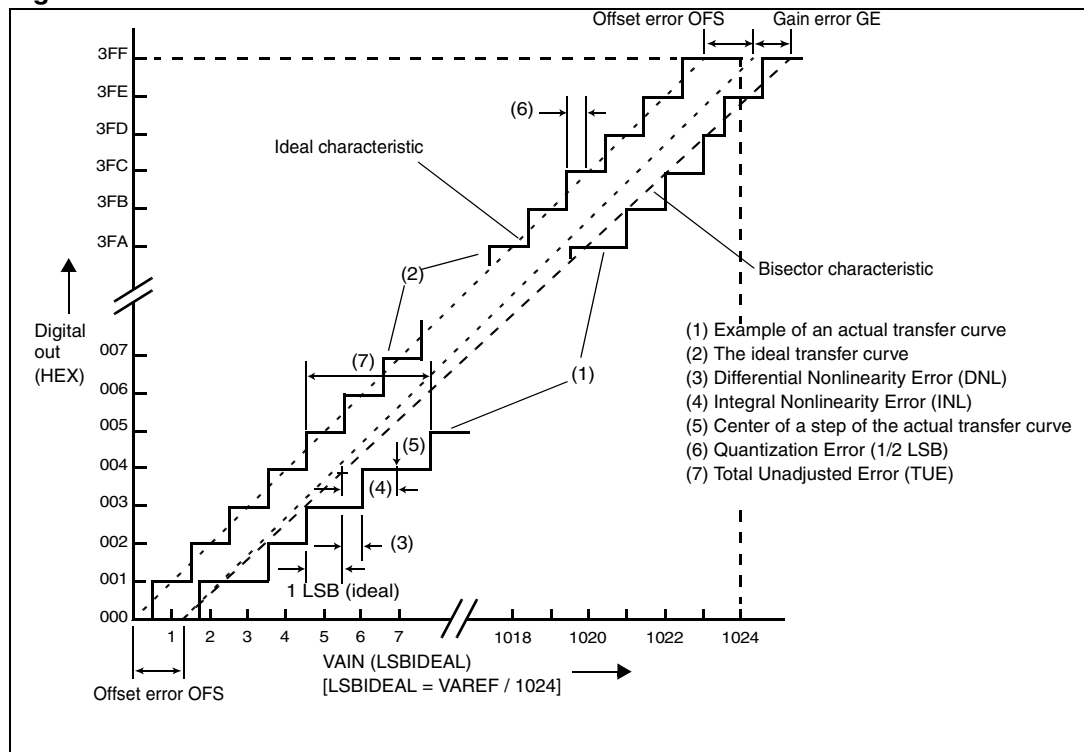
- Differential nonlinearity error is the actual step dimension versus the ideal one ( $1 \text{ LSB}_{\text{IDEAL}}$ ).
- Integral nonlinearity error is the distance between the center of the actual step and the center of the bisector line, in the actual characteristics. Note that for integral nonlinearity error, the effect of offset, gain and quantization errors is not included.

*Note:* Bisector characteristic is obtained drawing a line from 1/2 LSB before the first step of the real characteristic, and 1/2 LSB after the last step again of the real characteristic.

### 23.7.3 Total unadjusted error

The total unadjusted error (TUE) specifies the maximum deviation from the ideal characteristic: The number provided in the datasheet represents the maximum error with respect to the entire characteristic. It is a combination of the offset, gain and integral linearity errors. The different errors may compensate each other depending on the relative sign of the offset and gain errors. Refer to [Figure 46](#), see TUE.

**Figure 46. A/D conversion characteristic**



### 23.7.4 Analog reference pins

The accuracy of the A/D converter depends on the accuracy of its analog reference: A noise in the reference results in proportionate error in a conversion. A low pass filter on the A/D converter reference source (supplied through pins  $V_{AREF}$  and  $V_{AGND}$ ), is recommended in order to clean the signal, minimizing the noise. A simple capacitive bypassing may be sufficient in most cases; in presence of high RF noise energy, inductors or ferrite beads may be necessary.

In this architecture,  $V_{AREF}$  and  $V_{AGND}$  pins also represent the power supply of the analog circuitry of the A/D converter: There is an effective DC current requirement from the reference voltage by the internal resistor string in the R-C DAC array and by the rest of the analog circuitry.

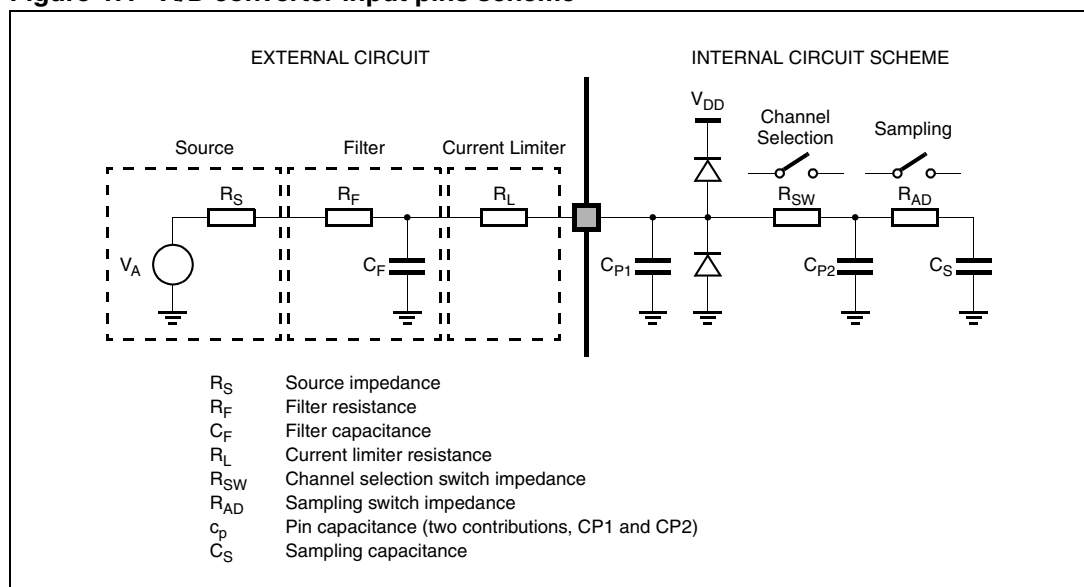
An external resistance on  $V_{AREF}$  could introduce error under certain conditions: For this reasons, series resistance is not advisable and more generally, any series devices in the filter network should be designed to minimize the DC resistance.

### 23.7.5 Analog input pins

To improve the accuracy of the A/D converter, analog input pins must have low AC impedance. Placing a capacitor with good high frequency characteristics at the input pin of the device can be effective: The capacitor should be as large as possible, ideally infinite. This capacitor contributes to attenuating the noise present on the input pin; moreover, its source charges during the sampling phase, when the analog signal source is a high-impedance source.

A real filter is typically obtained by using a series resistance with a capacitor on the input pin (simple RC Filter). The RC filtering may be limited according to the value of source impedance of the transducer or circuit supplying the analog signal to be measured. The filter at the input pins must be designed taking into account the dynamic characteristics of the input signal (bandwidth).

Figure 47. A/D converter input pins scheme



### Input leakage and external circuit

The series resistor utilized to limit the current to a pin (see  $R_L$  in [Figure 47](#)), in combination with a large source impedance, can lead to a degradation of A/D converter accuracy when input leakage is present.

Data about maximum input leakage current at each pin is provided in the datasheet (Electrical Characteristics section). Input leakage is greatest at high operating temperatures and in general decreases by one half for each 10°C decrease in temperature.

Considering that, for a 10-bit A/D converter one count is about 5mV (assuming  $V_{AREF} = 5\text{ V}$ ), an input leakage of 100nA acting through an  $R_L = 50\text{k}\Omega$  of external resistance leads to an error of exactly one count (5mV); if the resistance were 100kΩ, the error would become two counts.

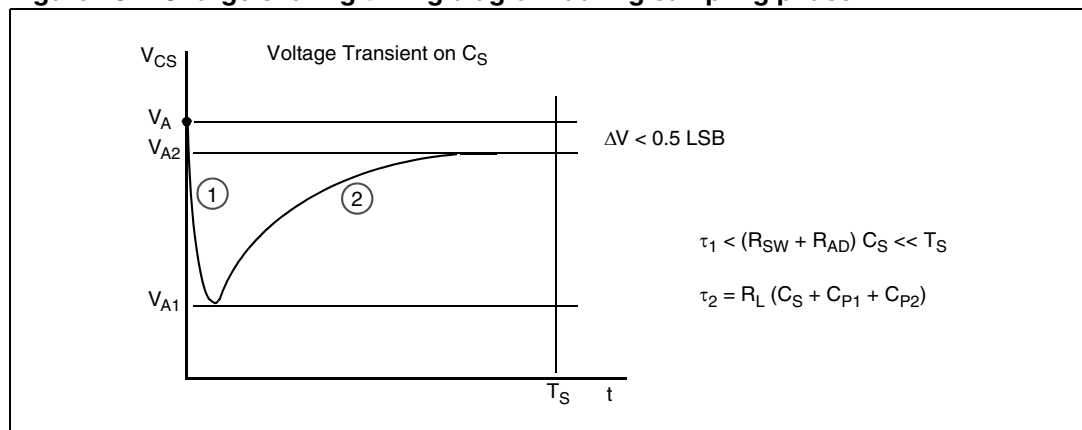
Eventual additional leakage due to external clamping diodes must also be taken into account in computing the total leakage affecting the A/D converter measurements. Another contribution to the total leakage is represented by the charge sharing effects with the sampling capacitance:  $C_S$  being substantially a switched capacitance, with a frequency equal to the conversion rate of a single channel (maximum when fixed channel continuous conversion mode is selected), it can be seen as a resistive path to ground. For instance, assuming a conversion rate of 250 kHz, with  $C_S$  equal to 4 pF, a resistance of 1MΩ is obtained ( $R_{EQ} = 1 / f_C C_S$ , where  $f_C$  represents the conversion rate at the considered channel). To minimize the error induced by the voltage partitioning between this resistance (sampled voltage on  $C_S$ ) and the sum of  $R_S + R_F + R_L + R_{SW} + R_{AD}$ , the external circuit must be designed to respect the following relation:

$$V_A \cdot \frac{R_S + R_F + R_L + R_{SW} + R_{AD}}{R_{EQ}} < \frac{1}{2} \text{LSB}$$

The formula above places constraints on external network design, in particular on resistive path.

A second aspect involving the capacitance network must be considered. Assuming the three capacitances  $C_F$ ,  $C_{P1}$  and  $C_{P2}$  are initially charged at the source voltage  $V_A$  (refer to the equivalent circuit shown in [Figure 47](#)), when the sampling phase is started (A/D switch close), a charge sharing phenomena is installed.

**Figure 48. Charge sharing timing diagram during sampling phase**





In particular two different transient periods can be distinguished (see [Figure 48](#)):

1. A first and quick charge transfer from the internal capacitances  $C_{P1}$  and  $C_{P2}$  to the sampling capacitance  $C_S$  occurs ( $C_S$  is supposed initially completely discharged): Considering a worst case (since the time constant in reality would be faster) in which  $C_{P2}$  is reported in parallel to  $C_{P1}$  (call  $C_P = C_{P1} + C_{P2}$ ), the two capacitances  $C_P$  and  $C_S$  are in series and the time constant is:

$$\tau_1 = (R_{SW} + R_{AD}) \cdot \frac{C_P \cdot C_S}{C_P + C_S}$$

This relation can again be simplified considering only  $C_S$  as an additional worst condition. In reality, the transient is faster, but the A/D converter circuitry has been designed to also be robust in the very worst case: The sampling time  $T_S$  is always much longer than the internal time constant:

$$\tau_1 < (R_{SW} + R_{AD}) \cdot C_S \ll T_S$$

The charge of  $C_{P1}$  and  $C_{P2}$  is also redistributed on  $C_S$ , determining a new value of the voltage  $V_{A1}$  on the capacitance according to the following equation:

$$V_{A1} \cdot (C_S + C_{P1} + C_{P2}) = V_A \cdot (C_{P1} + C_{P2})$$

2. A second charge transfer also involves  $C_F$  (that is typically bigger than the on-chip capacitance) through the resistance  $R_L$ : Again considering the worst case in which  $C_{P2}$  and  $C_S$  were in parallel to  $C_{P1}$  (since the time constant in reality would be faster), the time constant is:

$$\tau_2 < R_L \cdot (C_S + C_{P1} + C_{P2})$$

In this case, the time constant depends on the external circuit: In particular, imposing that the transient is completed well before the end of sampling time  $T_S$ , a constraint on  $R_L$  sizing is obtained:

$$\tau_2 = 10 \cdot R_L \cdot (C_S + C_{P1} + C_{P2}) \leq T_S$$

Of course,  $R_L$  must also be sized according to the current limitation constraints, in combination with  $R_S$  (source impedance) and  $R_F$  (filter resistance). Being that  $C_F$  is definitely bigger than  $C_{P1}$ ,  $C_{P2}$  and  $C_S$ , then the final voltage  $V_{A2}$  (at the end of the charge transfer transient) will be much higher than  $V_{A1}$ . The following equation must be respected (charge balance assuming now  $C_S$  already charged at  $V_{A1}$ ):

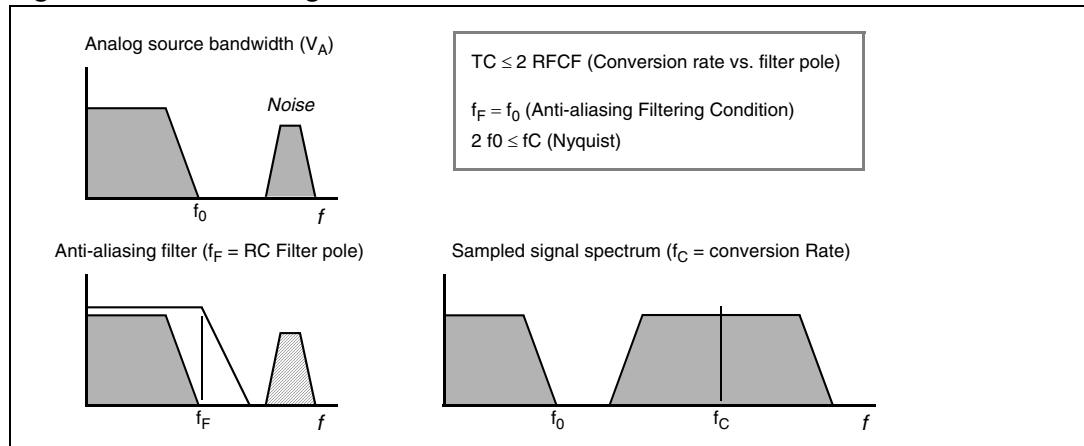
$$V_{A2} (C_S + C_{P1} + C_{P2} + C_F) = V_A \cdot C_F + V_{A1} (C_{P1} + C_{P2} + C_S)$$

The two transients above are not influenced by the voltage source that, due to the presence of the  $R_F C_F$  filter, cannot provide the extra charge to compensate for the voltage drop on  $C_S$  with respect to the ideal source  $V_A$ ; the time constant  $R_F C_F$  of the filter is very high with respect to the sampling time ( $T_S$ ). The filter is typically designed to act as anti-aliasing (see [Figure 49](#)).

Calling  $f_0$  the bandwidth of the source signal (and as a consequence the cut-off frequency of the anti-aliasing filter,  $f_F$ ), according to Nyquist theorem the conversion rate  $f_C$  must be at least  $2f_0$ , meaning that the constant time of the filter is greater than or at least equal to twice the conversion period ( $T_C$ ). Again the conversion period  $T_C$  is longer than the sampling time  $T_S$ , which is just a portion of it, even when fixed channel continuous conversion mode is

selected (fastest conversion rate at a specific channel): In conclusion, it is evident that the time constant of the filter  $R_F C_F$  is definitely much higher than the sampling time  $T_S$ , so the charge level on  $C_S$  cannot be modified by the analog signal source during the time in which the sampling switch is closed.

**Figure 49. Anti-aliasing filter and conversion rate**



The considerations above lead to impose new constraints to the external circuit, to reduce the accuracy error due to the voltage drop on  $C_S$ ; from the two charge balance equations above, it is simple to derive the following relation between the ideal and real sampled voltage on  $C_S$ :

$$\frac{V_A}{V_{A2}} = \frac{C_{P1} + C_{P2} + C_F}{C_{P1} + C_{P2} + C_F + C_S}$$

From this formula, in the worst case (when  $V_A$  is maximum, that is for instance 5 V), assuming to accept a maximum error of half a count ( $\sim 2.44\text{mV}$ ), it is immediately evident that a constraint is on  $C_F$  value:

$$C_F > 2048 C_S$$

The next section provides an example of how to design the external network, based on some reasonable values for the internal parameters and on a hypothesis on the characteristics of the analog signal to be sampled.

### 23.7.6 Example of external network sizing

The following hypothesis is formulated in order to proceed with designing the external network on A/D converter input pins:

- Analog signal source bandwidth ( $f_0$ ): 10 kHz
  - Conversion rate ( $f_C$ ): 25 kHz
  - Sampling time ( $T_S$ ): 1  $\mu$ s
  - Pin input capacitance ( $C_{P1}$ ): 5 pF
  - Pin input routing capacitance ( $C_{P2}$ ): 1 pF
  - Sampling capacitance ( $C_S$ ): 4 pF
  - Maximum input current injection ( $I_{INJ}$ ): 3 mA
  - Maximum analog source voltage ( $V_{AM}$ ): 12 V
  - Analog source impedance ( $R_S$ ): 100  $\Omega$
  - Channel switch resistance ( $R_{SW}$ ): 500  $\Omega$
  - Sampling switch resistance ( $R_{AD}$ ): 200  $\Omega$
1. Supposing to design the filter with the pole exactly at the maximum frequency of the signal, the time constant of the filter is:

$$R_C C_F = \frac{1}{2\pi f_0} = 15.9 \mu\text{s}$$

2. Using the relation between  $C_F$  and  $C_S$  and taking some margin (4000 instead of 2048), it is possible to define  $C_F$ :

$$C_F = 4000 C_S = 16 \text{ nF}$$

3. As a consequence of Step 1 and 2, RC can be chosen:

$$R_F = \frac{1}{2\pi f_0 C_F} = 995 \Omega \cong 1 \text{ k}\Omega$$

4. Considering the current injection limitation and supposing that the source can go up to 12V, the total series resistance can be defined as:

$$R_S + R_F + R_L = \frac{V_{AM}}{I_{INJ}} = 4 \text{ k}\Omega$$

from which is now simple to define the value of  $R_L$ :

$$R_L = \frac{V_{AM}}{I_{INJ}} - R_F - R_S = 2.9 \text{ k}\Omega$$

Now, the three elements of the external circuit  $R_F$ ,  $C_F$  and  $R_L$  are defined. Some conditions discussed in the previous paragraphs have been used to size the component; the others must now be verified. The relation which allows to minimize the accuracy error introduced by the switched capacitance equivalent resistance is in this case:

$$R_{EQ} = \frac{1}{f_C C_S} = 10 \text{ M}\Omega$$

So the error due to the voltage partitioning between the real resistive path and  $C_S$  is less

then half a count (considering the worst case when  $V_A = 5\text{ V}$ ):

$$V_A \cdot \frac{R_S + R_F + R_L + R_{SW} + R_{AD}}{R_{EQ}} = 2.35\text{ mV} < \frac{1}{2}\text{ LSB}$$

The other conditions to verify are if the time constants of the transients are really and significantly shorter than the sampling period duration  $T_S$ :

$$\tau_1 = (R_{SW} + R_{AD}) \cdot C_S = 2.8\text{ ns} \ll T_S = 1\text{ }\mu\text{s}$$

$$10\tau_2 = 10R_L(C_S + C_{P1} + C_{P2}) = 290\text{ ns} < T_S = 1\text{ }\mu\text{s}$$

For a complete set of parameters characterizing the ST10F276Z5 A/D converter equivalent circuit, refer to A/D Converter Characteristics table at page 187.

## 23.8 AC characteristics

### 23.8.1 Test waveforms

Figure 50. Input/output waveforms

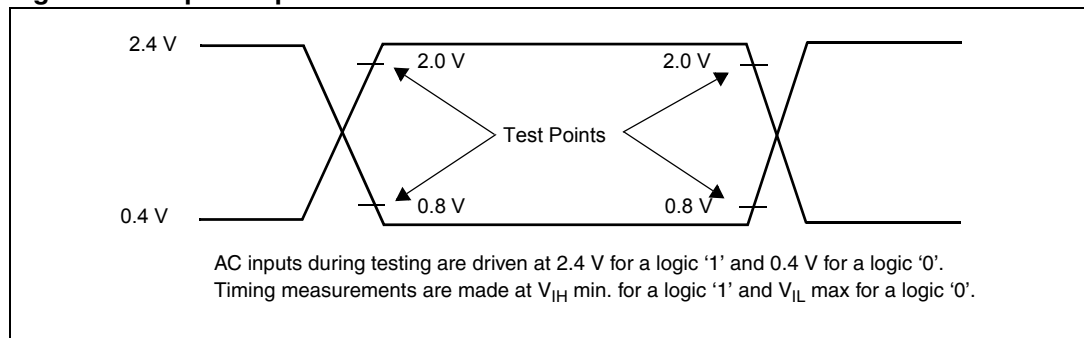
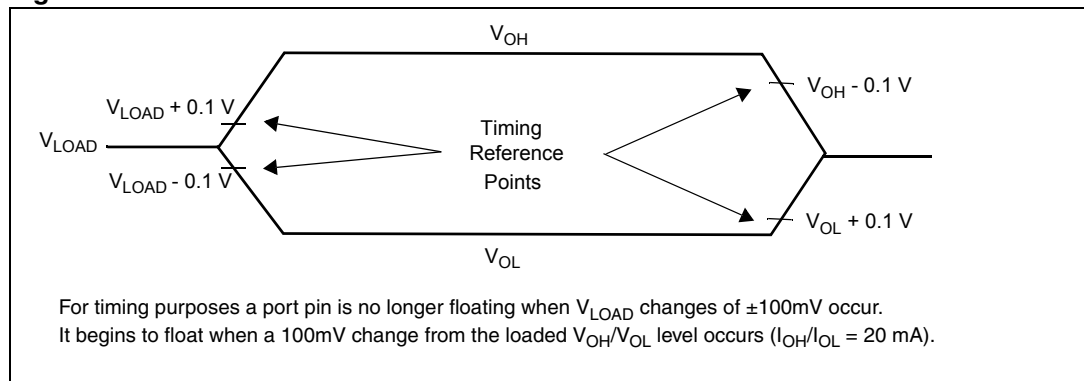


Figure 51. Float waveforms



### 23.8.2 Definition of internal timing

The internal operation of the ST10F276Z5 is controlled by the internal CPU clock  $f_{\text{CPU}}$ . Both edges of the CPU clock can trigger internal (for example pipeline) or external (for example bus cycles) operations.

The specification of the external timing (AC Characteristics) therefore depends on the time between two consecutive edges of the CPU clock, called "TCL".

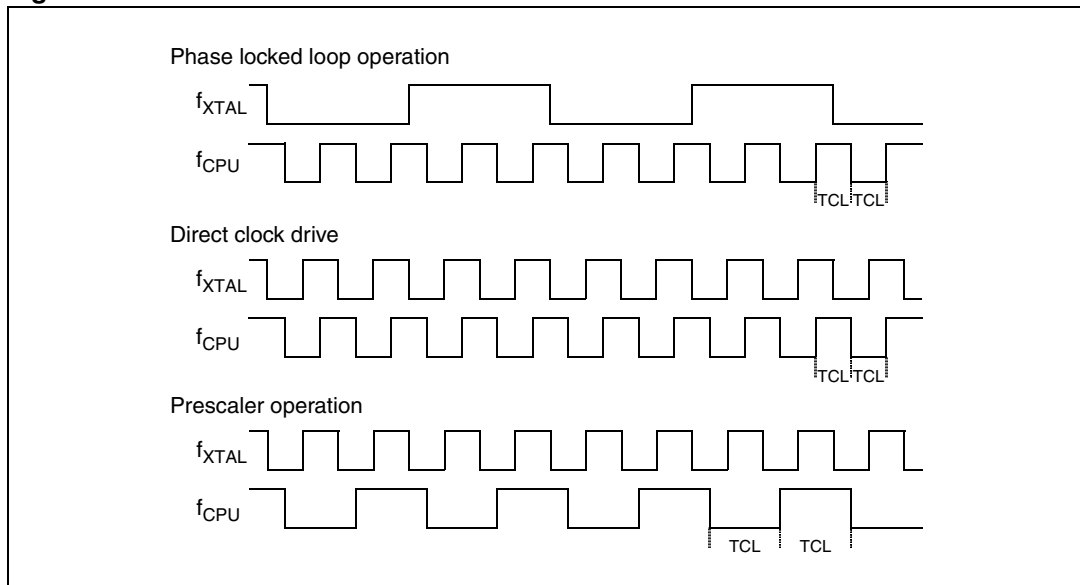
The CPU clock signal can be generated by different mechanisms. The duration of TCL and its variation (and also the derived external timing) depends on the mechanism used to generate  $f_{\text{CPU}}$ .

This influence must be regarded when calculating the timings for the ST10F276Z5.

The example for PLL operation shown in [Figure 52](#) refers to a PLL factor of 4.

The mechanism used to generate the CPU clock is selected during reset by the logic levels on pins P0.15-13 (P0H.7-5).

**Figure 52. Generation mechanisms for the CPU clock**



### 23.8.3 Clock generation modes

The following table associates the combinations of these 3 bits with the respective clock generation mode.

**Table 97. On-chip clock generator selections**

P0.15-13 (P0H.7-5)	CPU frequency $f_{CPU} = f_{XTAL} \times F$	External clock input range <sup>(1)(2)</sup>	Notes
1 1 1	$F_{XTAL} \times 4$	4 to 8 MHz	Default configuration
1 1 0	$F_{XTAL} \times 3$	5.3 to 10.6 MHz	
1 0 1	$F_{XTAL} \times 8$	4 to 8 MHz	
1 0 0	$F_{XTAL} \times 5$	6.4 to 12 MHz	
0 1 1	$F_{XTAL} \times 1$	1 to 64 MHz	Direct Drive (oscillator bypassed) <sup>(3)</sup>
0 1 0	$F_{XTAL} \times 10$	4 to 6.4 MHz	
0 0 1	$F_{XTAL} / 2$	4 to 12 MHz	CPU clock via prescaler <sup>(3)</sup>
0 0 0	$F_{XTAL} \times 16$	4 MHz	

1. The external clock input range refers to a CPU clock range of 1...64 MHz. Moreover, the PLL usage is limited to 4-12 MHz input frequency range. All configurations need a crystal (or ceramic resonator) to generate the CPU clock through the internal oscillator amplifier (apart from Direct Drive); on the contrary, the clock can be forced through an external clock source only in Direct Drive mode (on-chip oscillator amplifier disabled, so no crystal or resonator can be used).
2. The limits on input frequency are 4-12 MHz since the usage of the internal oscillator amplifier is required. Also, when the PLL is not used and the CPU clock corresponds to  $F_{XTAL}/2$ , an external crystal or resonator must be used: It is not possible to force any clock through an external clock source.
3. The maximum depends on the duty cycle of the external clock signal: When 64 MHz is used, 50% duty cycle shall be granted (low phase = high phase = 7.8 ns); when 32 MHz is selected, a 25% duty cycle can be accepted (minimum phase, high or low, again equal to 7.8ns).

### 23.8.4 Prescaler operation

When pins P0.15-13 (P0H.7-5) equal '001' during reset, the CPU clock is derived from the internal oscillator (input clock signal) by a 2:1 prescaler.

The frequency of  $f_{CPU}$  is half the frequency of  $f_{XTAL}$  and the high and low time of  $f_{CPU}$  (that is, the duration of an individual TCL) is defined by the period of the input clock  $f_{XTAL}$ .

The timings listed in the AC Characteristics that refer to TCL can therefore be calculated using the period of  $f_{XTAL}$  for any TCL.

Note that if the bit OWDDIS in SYSCON register is cleared, the PLL runs on its free-running frequency and delivers the clock signal for the Oscillator Watchdog. If bit OWDDIS is set, then the PLL is switched off.

### 23.8.5 Direct drive

When pins P0.15-13 (P0H.7-5) equal '011' during reset, the on-chip phase locked loop is disabled, the on-chip oscillator amplifier is bypassed and the CPU clock is directly driven by the input clock signal on XTAL1 pin.

The frequency of the CPU clock ( $f_{CPU}$ ) directly follows the frequency of  $f_{XTAL}$  so the high and low time of  $f_{CPU}$  (that is, the duration of an individual TCL) is defined by the duty cycle of the input clock  $f_{XTAL}$ .

Therefore, the timings given in this chapter refer to the minimum TCL. This minimum value can be calculated by the following formula:

$$TCL_{\min} = 1/f_{XTAL} \times DC_{\min}$$

DC = duty cycle

For two consecutive TCLs, the deviation caused by the duty cycle of  $f_{XTAL}$  is compensated, so the duration of  $2TCL$  is always  $1/f_{XTAL}$ .

The minimum value  $TCL_{\min}$  is used only once for timings that require an odd number of TCLs (1, 3, ...). Timings that require an even number of TCLs (2, 4, ...) may use the formula:

$$2TCL = 1/f_{XTAL}$$

The address float timings in multiplexed bus mode ( $t_{11}$  and  $t_{45}$ ) use the maximum duration of TCL ( $TCL_{\max} = 1/f_{XTAL} \times DC_{\max}$ ) instead of  $TCL_{\min}$ .

Similarly to what happens for Prescaler Operation, if the bit OWDDIS in SYSCON register is cleared, the PLL runs on its free-running frequency and delivers the clock signal for the Oscillator Watchdog. If bit OWDDIS is set, then the PLL is switched off.

### 23.8.6 Oscillator watchdog (OWD)

An on-chip watchdog oscillator is implemented in the ST10F276Z5. This feature is used for safety operation with an external crystal oscillator (available only when using direct drive mode with or without prescaler, so the PLL is not used to generate the CPU clock multiplying the frequency of the external crystal oscillator). This watchdog oscillator operates as following.

The reset default configuration enables the watchdog oscillator. It can be disabled by setting the OWDDIS (bit 4) of SYSCON register.

When the OWD is enabled, the PLL runs at its free-running frequency and it increments the watchdog counter. On each transition of external clock, the watchdog counter is cleared. If an external clock failure occurs, then the watchdog counter overflows (after 16 PLL clock cycles).

The CPU clock signal is switched to the PLL free-running clock signal and the oscillator watchdog Interrupt Request is flagged. The CPU clock will not switch back to the external clock even if a valid external clock exists on XTAL1 pin. Only a hardware reset (or bidirectional Software / Watchdog reset) can switch the CPU clock source back to direct clock input.

When the OWD is disabled, the CPU clock is always the external oscillator clock (in Direct Drive or Prescaler Operation) and the PLL is switched off to decrease consumption supply current.

### 23.8.7 Phase locked loop (PLL)

For all other combinations of pins P0.15-13 (P0H.7-5) during reset the on-chip phase locked loop is enabled and it provides the CPU clock (see [Table 97](#)). The PLL multiplies the input frequency by the factor F which is selected via the combination of pins P0.15-13 ( $f_{CPU} = f_{XTAL} \times F$ ). With every F'th transition of  $f_{XTAL}$  the PLL circuit synchronizes the CPU clock to the input clock. This synchronization is done smoothly, so the CPU clock frequency does not change abruptly.

Due to this adaptation to the input clock, the frequency of  $f_{CPU}$  is constantly adjusted so it is locked to  $f_{XTAL}$ . The slight variation causes a jitter of  $f_{CPU}$  which also effects the duration of individual TCLs.

The timings listed in the AC Characteristics that refer to TCLs therefore must be calculated using the minimum TCL that is possible under the respective circumstances.

The real minimum value for TCL depends on the jitter of the PLL. The PLL tunes  $f_{CPU}$  to keep it locked on  $f_{XTAL}$ . The relative deviation of TCL is the maximum when it is referred to one TCL period.

This is especially important for bus cycles using wait states and e.g. for the operation of timers, serial interfaces, etc. For all slower operations and longer periods (such as, for example, pulse train generation or measurement, lower baud rates) the deviation caused by the PLL jitter is negligible. Refer to next [Section 23.8.9: PLL Jitter](#) for more details.

### 23.8.8 Voltage controlled oscillator

The ST10F276Z5 implements a PLL which combines different levels of frequency dividers with a Voltage Controlled Oscillator (VCO) working as frequency multiplier. The following table presents a detailed summary of the internal settings and VCO frequency.

**Table 98. Internal PLL divider mechanism**

P0.15-13 (P0H.7-5)	XTAL frequency	Input prescaler	PLL		Output prescaler	CPU frequency $f_{CPU} = f_{XTAL} \times F$
			Multiply by	Divide by		
1 1 1	4 to 8 MHz	$F_{XTAL} / 4$	64	4	–	$F_{XTAL} \times 4$
1 1 0	5.3 to 10.6 MHz	$F_{XTAL} / 4$	48	4	–	$F_{XTAL} \times 3$
1 0 1	4 to 8 MHz	$F_{XTAL} / 4$	64	2	–	$F_{XTAL} \times 8$
1 0 0	6.4 to 12 MHz	$F_{XTAL} / 4$	40	2	–	$F_{XTAL} \times 5$
0 1 1	1 to 64 MHz	–	PLL bypassed		–	$F_{XTAL} \times 1$
0 1 0	4 to 6.4 MHz	$F_{XTAL} / 2$	40	2	–	$F_{XTAL} \times 10$
0 0 1	4 to 12 MHz	–	PLL bypassed		$F_{PLL} / 2$	$F_{XTAL} / 2$
0 0 0	4 MHz	$F_{XTAL} / 2$	64	2	–	$F_{XTAL} \times 16$

The PLL input frequency range is limited to 1 to 3.5 MHz, while the VCO oscillation range is 64 to 128 MHz. The CPU clock frequency range when PLL is used is 16 to 64 MHz.

#### Example 1

- $F_{XTAL} = 10$  MHz
- P0(15:13) = '110' (multiplication by 3)
- PLL input frequency = 2.5 MHz
- VCO frequency = 120 MHz
- PLL output frequency = 30 MHz  
(VCO frequency divided by 4)
- $F_{CPU} = 30$  MHz (no effect of output prescaler)



**Example 2**

- $F_{\text{XTAL}} = 8 \text{ MHz}$
- $P0(15:13) = '100'$  (multiplication by 5)
- PLL input frequency = 2 MHz
- VCO frequency = 80 MHz
- PLL output frequency = 40 MHz (VCO frequency divided by 2)
- $F_{\text{CPU}} = 40 \text{ MHz}$  (no effect of output prescaler)

**23.8.9 PLL Jitter**

Two kinds of PLL jitter are defined:

- **Self referred single period jitter**  
Also called "Period Jitter", it can be defined as the difference of the  $T_{\text{max}}$  and  $T_{\text{min}}$ , where  $T_{\text{max}}$  is the maximum time period of the PLL output clock and  $T_{\text{min}}$  is the minimum time period of the PLL output clock.
- **Self referred long term jitter**  
Also called "N period jitter", it can be defined as the difference of  $T_{\text{max}}$  and  $T_{\text{min}}$ , where  $T_{\text{max}}$  is the maximum time difference between  $N + 1$  clock rising edges and  $T_{\text{min}}$  is the minimum time difference between  $N + 1$  clock rising edges. Here  $N$  should be kept sufficiently large to have the long term jitter. For  $N = 1$ , this becomes the single period jitter.

Jitter at the PLL output is caused by:

- Jitter in the input clock
- Noise in the PLL loop

**23.8.10 Jitter in the input clock**

PLL acts like a low pass filter for any jitter in the input clock. Input Clock jitter with the frequencies within the PLL loop bandwidth is passed to the PLL output and higher frequency jitter (frequency > PLL bandwidth) is attenuated at 20dB/decade.

**23.8.11 Noise in the PLL loop**

This condition again is attributed to the following sources:

- Device noise of the circuit in the PLL
- Noise in supply and substrate

**Device noise of the circuit in the PLL**

Long term jitter is inversely proportional to the bandwidth of the PLL: The wider the loop bandwidth, the lower the jitter due to noise in the loop. Moreover, long term jitter is practically independent of the multiplication factor.

The most noise sensitive circuit in the PLL circuit is definitely the VCO (Voltage Controlled Oscillator). There are two main sources of noise: Thermal (random noise, frequency independent thus practically white noise) and flicker (low frequency noise,  $1/f$ ). For the frequency characteristics of the VCO circuitry, the effect of the thermal noise results in a  $1/f^2$  region in the output noise spectrum, while the flicker noise in a  $1/f^3$ . Assuming a noiseless PLL input and supposing that the VCO is dominated by its  $1/f^2$  noise, the R.M.S. value of the accumulated jitter is *proportional to the square root of N*, where  $N$  is the number of clock

periods within the considered time interval.

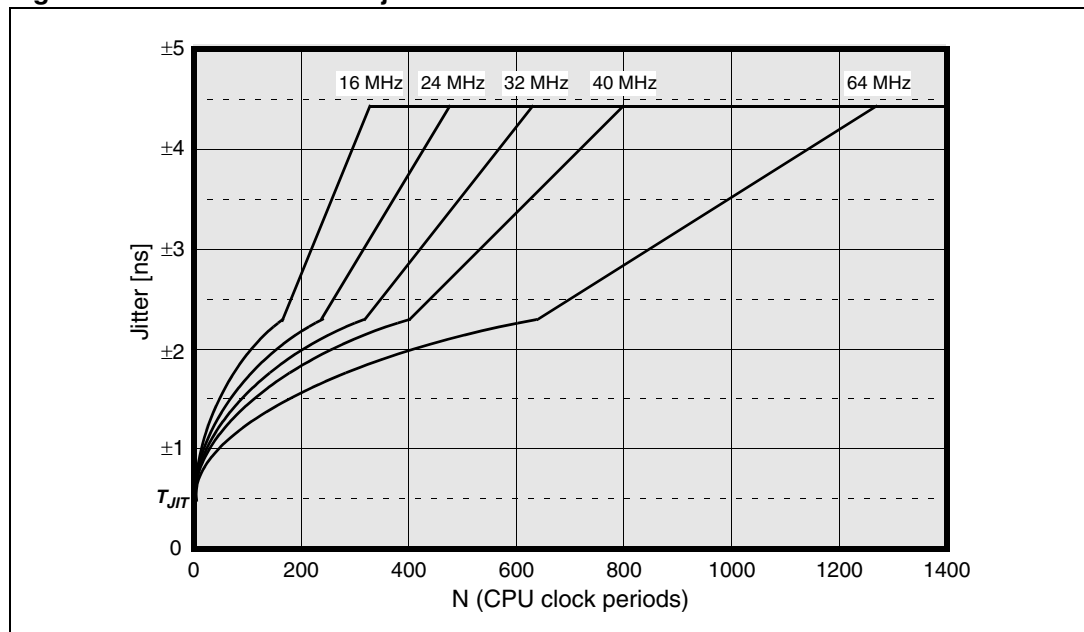
On the contrary, assuming again a noiseless PLL input and supposing that the VCO is dominated by its  $1/f^3$  noise, the R.M.S. value of the accumulated jitter is *proportional to N*, where N is the number of clock periods within the considered time interval.

The jitter in the PLL loop can be modeled as dominated by the  $1/f^2$  noise for N smaller than a certain value depending on the PLL output frequency and on the bandwidth characteristics of loop. Above this first value, the jitter becomes dominated by the  $1/f^3$  noise component. Lastly, for N greater than a second value of N, a saturation effect is evident, so the jitter does not grow anymore when considering a longer time interval (jitter stable increasing the number of clock periods N). The PLL loop acts as a high pass filter for any noise in the loop, with cutoff frequency equal to the bandwidth of the PLL. The saturation value corresponds to what has been called self referred long term jitter of the PLL. In [Figure 56](#) the maximum jitter trend versus the number of clock periods N (for some typical CPU frequencies) is shown: The curves represent the very worst case, computed taking into account all corners of temperature, power supply and process variations; the real jitter is always measured well below the given worst case values.

**Noise in supply and substrate**

Digital supply noise adds determining elements to PLL output jitter, independent of the multiplication factor. Its effect is strongly reduced thanks to particular care used in the physical implementation and integration of the PLL module inside the device. In any case, the contribution of digital noise to global jitter is widely taken into account in the curves provided in [Figure 56](#).

**Figure 53. ST10F276Z5 PLL jitter**



### 23.8.12 PLL lock/unlock

During normal operation, if the PLL is unlocked for any reason, an interrupt request to the CPU is generated and the reference clock (oscillator) is automatically disconnected from the PLL input: In this way, the PLL goes into free-running mode, providing the system with a backup clock signal (free running frequency  $F_{free}$ ). This feature allows to recover from a crystal failure occurrence without risking to go into an undefined configuration: The system is provided with a clock allowing the execution of the PLL unlock interrupt routine in a safe mode.

The path between the reference clock and PLL input can be restored only by a hardware reset, or by a bidirectional software or watchdog reset event that forces the  $\overline{RSTIN}$  pin low.

*Note: The external RC circuit on  $\overline{RSTIN}$  pin must be the right size in order to extend the duration of the low pulse to grant the PLL to be locked before the level at  $\overline{RSTIN}$  pin is recognized high: Bidirectional reset internally drives  $\overline{RSTIN}$  pin low for just 1024 TCL (definitely not sufficient to get the PLL locked starting from free-running mode).*

Conditions:  $V_{DD} = 5\text{ V} \pm 10\%$ ,  $T_A = -40 / +125\text{ }^\circ\text{C}$

**Table 99. PLL lock/unlock timing**

Symbol	Parameter	Conditions	Value		Unit
			Min.	Max.	
$T_{PSUP}$	PLL Start-up time <sup>(1)</sup>	Stable $V_{DD}$ and reference clock	–	300	$\mu\text{s}$
$T_{LOCK}$	PLL Lock-in time	Stable $V_{DD}$ and reference clock, starting from free-running mode	–	250	
$T_{JIT}$	Single Period Jitter <sup>(1)</sup> (cycle to cycle = 2 TCL)	6 sigma time period variation (peak to peak)	–500	+500	ps
$F_{free}$	PLL free running frequency	Multiplication factors: 3, 4 Multiplication factors: 5, 8, 10, 16	250 500	2000 4000	kHz

1. Not 100% tested, guaranteed by design characterization.

### 23.8.13 Main oscillator specifications

Conditions:  $V_{DD} = 5\text{ V} \pm 10\%$ ,  $T_A = -40 / +125\text{ }^\circ\text{C}$

**Table 100. Main oscillator specifications**

Symbol	Parameter	Conditions	Value			Unit
			Min.	Typ.	Max.	
$g_m$	Oscillator transconductance		8	17	35	mA/V
$V_{OSC}$	Oscillation amplitude <sup>(1)</sup>	Peak to peak	–	$V_{DD} - 0.4$	–	V
$V_{AV}$	Oscillation voltage level <sup>(1)</sup>	Sine wave middle	–	$V_{DD} / 2 - 0.25$	–	
$t_{STUP}$	Oscillator start-up time <sup>(1)</sup>	Stable $V_{DD}$ - crystal	–	3	4	ms
		Stable $V_{DD}$ , resonator	–	2	3	

1. Not 100% tested, guaranteed by design characterization

Figure 54. Crystal oscillator and resonator connection diagram

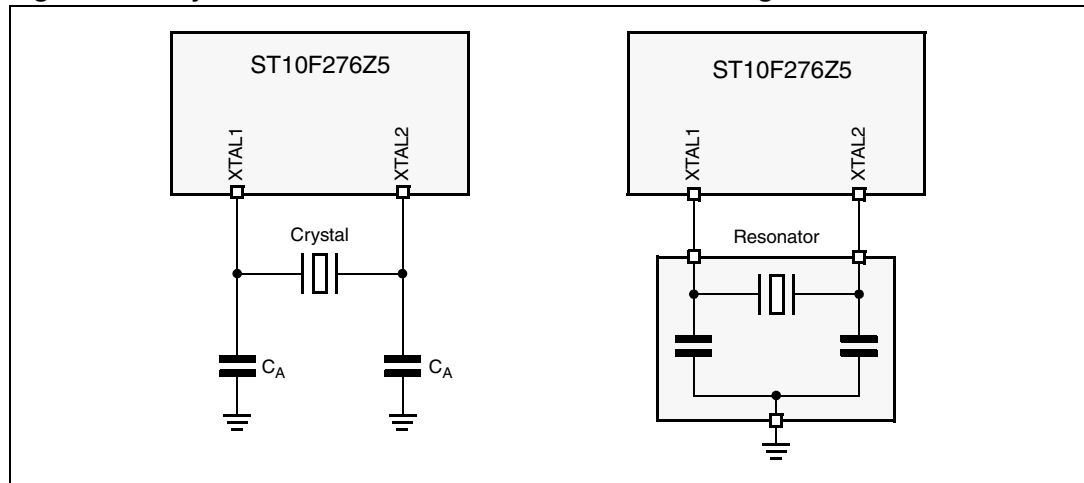


Table 101. Negative resistance (absolute min. value @125°C / V<sub>DD</sub> = 4.5 V)

C <sub>A</sub> (pF)	12	15	18	22	27	33	39	47
4 MHz	460 Ω	550 Ω	675 Ω	800 Ω	840 Ω	1000 Ω	1180 Ω	1200 Ω
8 MHz	380 Ω	460 Ω	540 Ω	640 Ω	580 Ω	-	-	-
12 MHz	370 Ω	420 Ω	360 Ω	-	-	-	-	-

The given values of C<sub>A</sub> do not include the stray capacitance of the package and of the printed circuit board: The negative resistance values are calculated assuming additional 5 pF to the values in the table. The crystal shunt capacitance (C<sub>0</sub>), the package and the stray capacitance between XTAL1 and XTAL2 pins is globally assumed equal to 4 pF.

The external resistance between XTAL1 and XTAL2 is not necessary, since already present on the silicon.

### 23.8.14 32 kHz Oscillator specifications

Conditions: V<sub>DD</sub> = 5 V ±10%, T<sub>A</sub> = -40 / +125 °C

Table 102. 32 kHz Oscillator specifications

Symbol	Parameter	Conditions	Value			Unit
			Min.	Typ.	Max.	
g <sub>m32</sub>	Oscillator <sup>(1)</sup>	Start-up	20	31	50	μA/V
		Normal run	8	17	30	
V <sub>OSC32</sub>	Oscillation amplitude <sup>(2)</sup>	Peak to peak	0.5	1.0	2.4	V
V <sub>AV32</sub>	Oscillation voltage level <sup>(2)</sup>	Sine wave middle	0.7	0.9	1.2	
t <sub>STUP32</sub>	Oscillator start-up time <sup>(2)</sup>	Stable V <sub>DD</sub>	-	1	5	s

1. At power-on a high current biasing is applied for faster oscillation start-up. Once the oscillation is started, the current biasing is reduced to lower the power consumption of the system.

2. Not 100% tested, guaranteed by design characterization.

Figure 55. 32 kHz crystal oscillator connection diagram

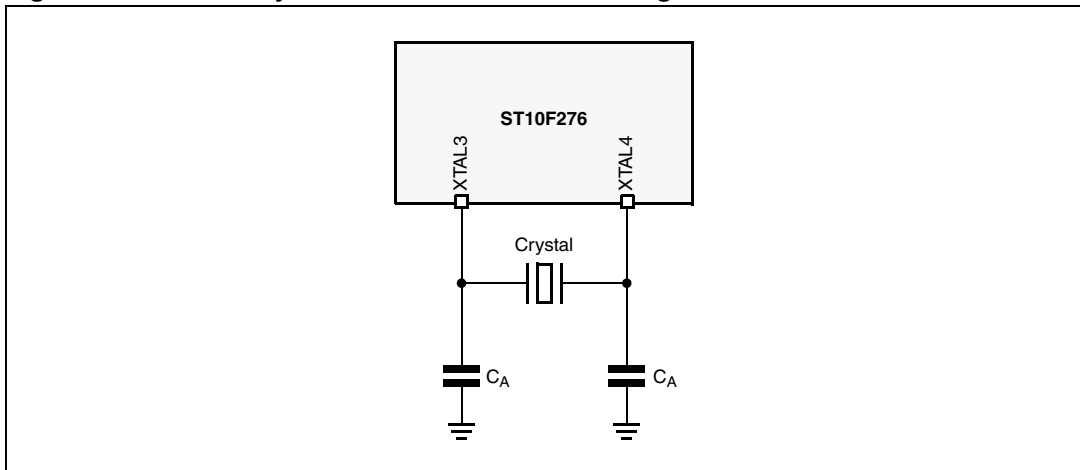


Table 103. Minimum values of negative resistance (module)

	$C_A = 6 \text{ pF}$	$C_A = 12 \text{ pF}$	$C_A = 15 \text{ pF}$	$C_A = 18 \text{ pF}$	$C_A = 22 \text{ pF}$	$C_A = 27 \text{ pF}$	$C_A = 33 \text{ pF}$
32 kHz	-	-	-	-	150 kΩ	120 kΩ	90 kW

The given values of  $C_A$  do not include the stray capacitance of the package and of the printed circuit board: The negative resistance values are calculated assuming additional 5 pF to the values in the table. The crystal shunt capacitance ( $C_0$ ), the package and the stray capacitance between XTAL3 and XTAL4 pins is globally assumed equal to 4 pF. The external resistance between XTAL3 and XTAL4 is not necessary, since already present on the silicon.

**Warning:** Direct driving on XTAL3 pin is not supported. Always use a 32 kHz crystal oscillator.

### 23.8.15 External clock drive XTAL1

When Direct Drive configuration is selected during reset, it is possible to drive the CPU clock directly from the XTAL1 pin, without particular restrictions on the maximum frequency, since the on-chip oscillator amplifier is bypassed. The speed limit is imposed by internal logic that targets a maximum CPU frequency of 64 MHz.

In all other clock configurations (Direct Drive with Prescaler or PLL usage) the on-chip oscillator amplifier is not bypassed, so it determines the input clock speed limit. Then an external clock source can be used but limited in the range of frequencies defined for the usage of crystal and resonator (refer also to [Table 97 on page 198](#)).

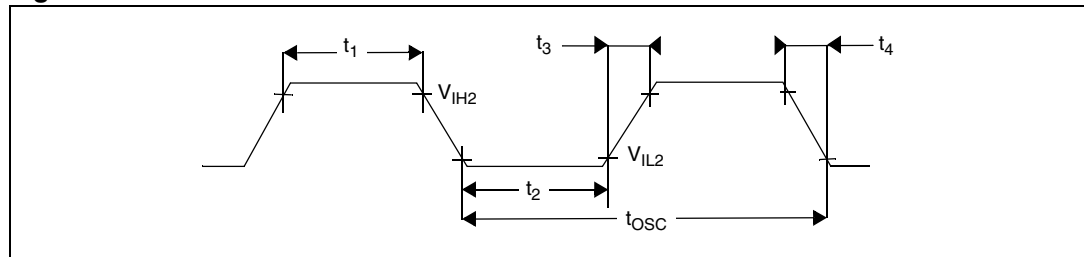
External clock drive timing conditions:  $V_{DD} = 5 \text{ V} \pm 10\%$ ,  $V_{SS} = 0 \text{ V}$ ,  $T_A = -40 \text{ to } +125 \text{ }^\circ\text{C}$

**Table 104. External clock drive timing**

Symbol	Parameter	Direct drive $f_{CPU} = f_{XTAL}$		Direct drive with prescaler $f_{CPU} = f_{XTAL} / 2$		PLL usage $f_{CPU} = f_{XTAL} \times F$		Unit
		Min.	Max.	Min.	Max.	Min.	Max.	
$t_{OSC}$ SR	XTAL1 period <sup>(1) (2)</sup>	15.625	–	83.3	250	83.3	250	ns
$t_1$ SR	High time <sup>(3)</sup>	6	–	3	–	6	–	
$t_2$ SR	Low time <sup>(3)</sup>							
$t_3$ SR	Rise time <sup>(3)</sup>	–	2	–	2	–	2	
$t_4$ SR	Fall time <sup>(3)</sup>							

1. The minimum value for the XTAL1 signal period is considered as the theoretical minimum. The real minimum value depends on the duty cycle of the input clock signal.
2. 4-12 MHz is the input frequency range when using an external clock source. 64 MHz can be applied with an external clock source only when Direct Drive mode is selected: In this case, the oscillator amplifier is bypassed so it does not limit the input frequency.
3. The input clock signal must reach the defined levels  $V_{IL2}$  and  $V_{IH2}$ .

**Figure 56. External clock drive XTAL1**



*Note:* When Direct Drive is selected, an external clock source can be used to drive XTAL1. The maximum frequency of the external clock source depends on the duty cycle: When 64 MHz is used, 50% duty cycle is granted (low phase = high phase = 7.8 ns); when for instance 32 MHz is used, a 25% duty cycle can be accepted (minimum phase, high or low, again equal to 7.8 ns).

### 23.8.16 Memory cycle variables

The tables below use three variables which are derived from the BUSCONx registers and represent the special characteristics of the programmed memory cycle. The following table describes how these variables are computed.

**Table 105. Memory cycle variables**

Symbol	Description	Values
$t_A$	ALE extension	TCL x [ALECTL]
$t_C$	Memory cycle time wait states	2TCL x (15 - [MCTC])
$t_F$	Memory tri-state time	2TCL x (1 - [MTTC])

### 23.8.17 External memory bus timing

In the next sections the External Memory Bus timings are described. The given values are computed for a maximum CPU clock of 40 MHz.

It is evident that when higher CPU clock frequency is used (up to 64 MHz), some numbers in the timing formulas become zero or negative, which in most cases is not acceptable or meaningful. In these cases, the speed of the bus settings  $t_A$ ,  $t_C$  and  $t_F$  must be correctly adjusted.

*Note: All External Memory Bus Timings and SSC Timings presented in the following tables are given by design characterization and not fully tested in production.*

**23.8.18 Multiplexed bus**

$V_{DD} = 5\text{ V} \pm 10\%$ ,  $V_{SS} = 0\text{ V}$ ,  $T_A = -40\text{ to }+125\text{ }^\circ\text{C}$ ,  $C_L = 50\text{ pF}$ ,  
 ALE cycle time =  $6\text{ TCL} + 2t_A + t_C + t_F$  (75 ns at 40 MHz CPU clock without wait states).

**Table 106. Multiplexed bus**

Symbol	Parameter	$F_{CPU} = 40\text{ MHz}$ $TCL = 12.5\text{ ns}$		Variable CPU clock $1/2\text{ TCL} = 1\text{ to }64\text{ MHz}$		Unit
		Min.	Max.	Min.	Max.	
$t_5$ CC	ALE high time	$4 + t_A$	-	$TCL - 8.5 + t_A$	-	ns
$t_6$ CC	Address setup to ALE	$1.5 + t_A$		$TCL - 11 + t_A$		
$t_7$ CC	Address hold after ALE	$4 + t_A$		$TCL - 8.5 + t_A$		
$t_8$ CC	ALE falling edge to $\overline{RD}$ , $\overline{WR}$ (with RW-delay)	$4 + t_A$		$TCL - 8.5 + t_A$		
$t_9$ CC	ALE falling edge to $\overline{RD}$ , $\overline{WR}$ (no RW-delay)	$-8.5 + t_A$		$-8.5 + t_A$		
$t_{10}$ CC	Address float after $\overline{RD}$ , $\overline{WR}$ (with RW-delay) <sup>(1)</sup>	-	6	-	6	
$t_{11}$ CC	Address float after $\overline{RD}$ , $\overline{WR}$ (no RW-delay) <sup>1</sup>	-	18.5	-	$TCL + 6$	
$t_{12}$ CC	$\overline{RD}$ , $\overline{WR}$ low time (with RW-delay)	$15.5 + t_C$	-	$2TCL - 9.5 + t_C$	-	
$t_{13}$ CC	$\overline{RD}$ , $\overline{WR}$ low time (no RW-delay)	$28 + t_C$	-	$3TCL - 9.5 + t_C$	-	
$t_{14}$ SR	$\overline{RD}$ to valid data in (with RW-delay)	-	$6 + t_C$	-	$2TCL - 19 + t_C$	
$t_{15}$ SR	$\overline{RD}$ to valid data in (no RW-delay)		$18.5 + t_C$		$3TCL - 19 + t_C$	
$t_{16}$ SR	ALE low to valid data in		$17.5 + t_A + t_C$		$3TCL - 20 + t_A + t_C$	
$t_{17}$ SR	Address/Unlatched $\overline{CS}$ to valid data in		$20 + 2t_A + t_C$		$4TCL - 30 + 2t_A + t_C$	
$t_{18}$ SR	Data hold after $\overline{RD}$ rising edge	0	-	0	-	
$t_{19}$ SR	Data float after $\overline{RD}$ <sup>1</sup>	-	$16.5 + t_F$	-	$2TCL - 8.5 + t_F$	
$t_{22}$ CC	Data valid to $\overline{WR}$	$10 + t_C$	-	$2TCL - 15 + t_C$	-	
$t_{23}$ CC	Data hold after $\overline{WR}$	$4 + t_F$		$2TCL - 8.5 + t_F$		
$t_{25}$ CC	ALE rising edge after $\overline{RD}$ , $\overline{WR}$	$15 + t_F$		$2TCL - 10 + t_F$		
$t_{27}$ CC	Address/Unlatched $\overline{CS}$ hold after $\overline{RD}$ , $\overline{WR}$	$10 + t_F$		$2TCL - 15 + t_F$		



Table 106. Multiplexed bus (continued)

Symbol	Parameter	$F_{CPU} = 40 \text{ MHz}$ $TCL = 12.5 \text{ ns}$		Variable CPU clock $1/2 \text{ TCL} = 1 \text{ to } 64 \text{ MHz}$		Unit
		Min.	Max.	Min.	Max.	
$t_{38}$ CC	ALE falling edge to Latched CS	$-4 - t_A$	$10 - t_A$	$-4 - t_A$	$10 - t_A$	ns
$t_{39}$ SR	Latched CS low to valid data In	–	$16.5 + t_C + 2t_A$	–	$3TCL - 21 + t_C + 2t_A$	
$t_{40}$ CC	Latched CS hold after $\overline{RD}$ , $\overline{WR}$	$27 + t_F$	–	$3TCL - 10.5 + t_F$	–	
$t_{42}$ CC	ALE fall. edge to $\overline{RdCS}$ , $\overline{WrCS}$ (with RW delay)	$7 + t_A$		$TCL - 5.5 + t_A$		
$t_{43}$ CC	ALE fall. edge to $\overline{RdCS}$ , $\overline{WrCS}$ (no RW delay)	$-5.5 + t_A$		$-5.5 + t_A$		
$t_{44}$ CC	Address float after $\overline{RdCS}$ , $\overline{WrCS}$ (with RW delay) <sup>1</sup>	–	1.5	–	1.5	
$t_{45}$ CC	Address float after $\overline{RdCS}$ , $\overline{WrCS}$ (no RW delay)		14		$TCL + 1.5$	
$t_{46}$ SR	$\overline{RdCS}$ to valid data In (with RW delay)		$4 + t_C$		$2TCL - 21 + t_C$	
$t_{47}$ SR	$\overline{RdCS}$ to valid data In (no RW delay)		$16.5 + t_C$		$3TCL - 21 + t_C$	
$t_{48}$ CC	$\overline{RdCS}$ , $\overline{WrCS}$ low time (with RW delay)	$15.5 + t_C$	–	$2TCL - 9.5 + t_C$	–	
$t_{49}$ CC	$\overline{RdCS}$ , $\overline{WrCS}$ low time (no RW delay)	$28 + t_C$		$3TCL - 9.5 + t_C$		
$t_{50}$ CC	Data valid to $\overline{WrCS}$	$10 + t_C$		$2TCL - 15 + t_C$		
$t_{51}$ SR	Data hold after $\overline{RdCS}$	0		0		
$t_{52}$ SR	Data float after $\overline{RdCS}$ <sup>(1)</sup>	–	$16.5 + t_F$	–	$2TCL - 8.5 + t_F$	
$t_{54}$ CC	Address hold after $\overline{RdCS}$ , $\overline{WrCS}$	$6 + t_F$	–	$2TCL - 19 + t_F$	–	
$t_{56}$ CC	Data hold after $\overline{WrCS}$					

1. Partially tested, guaranteed by design characterization.

Figure 57. Multiplexed bus with/without R/W delay and normal ALE

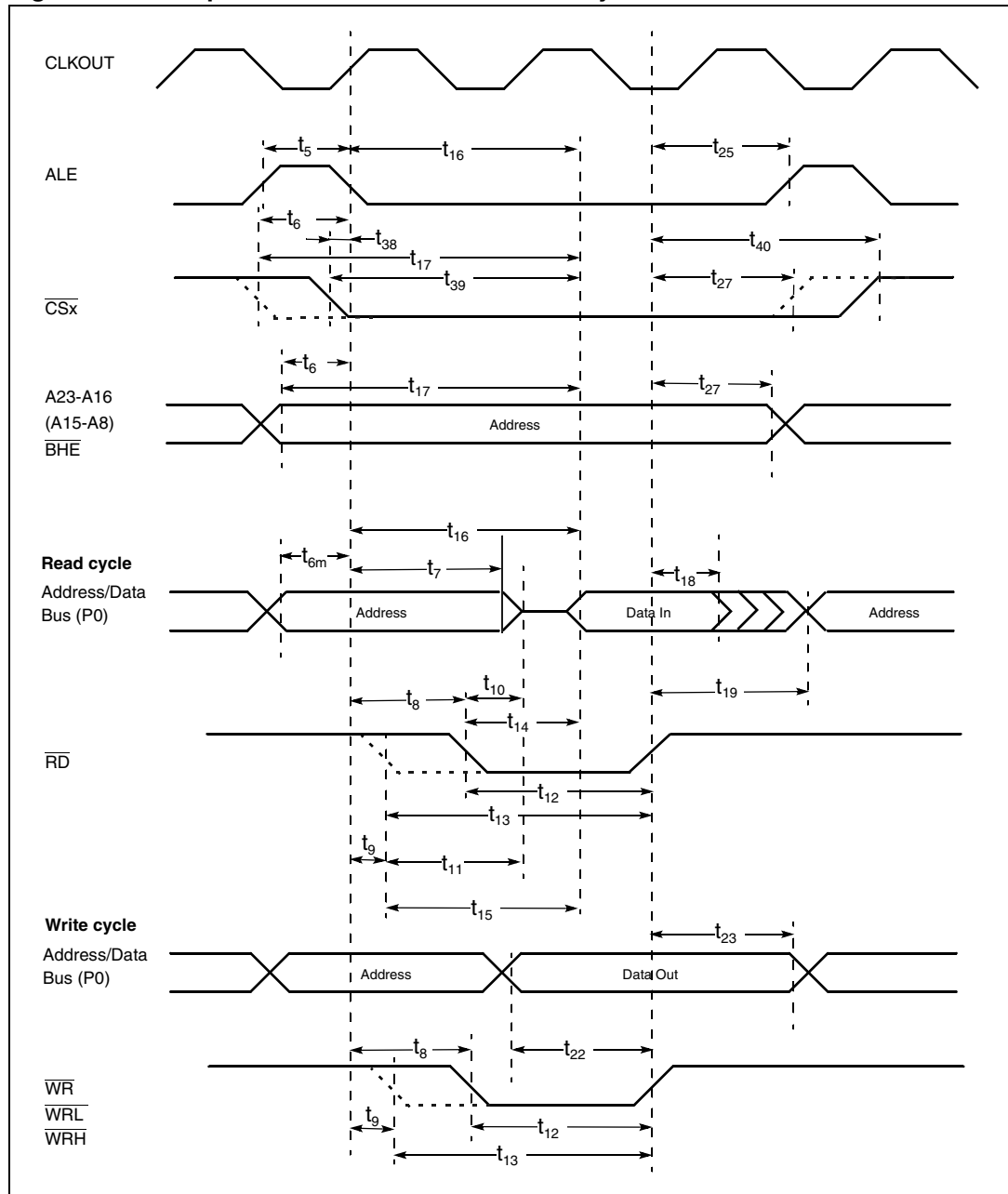


Figure 58. Multiplexed bus with/without R/W delay and extended ALE

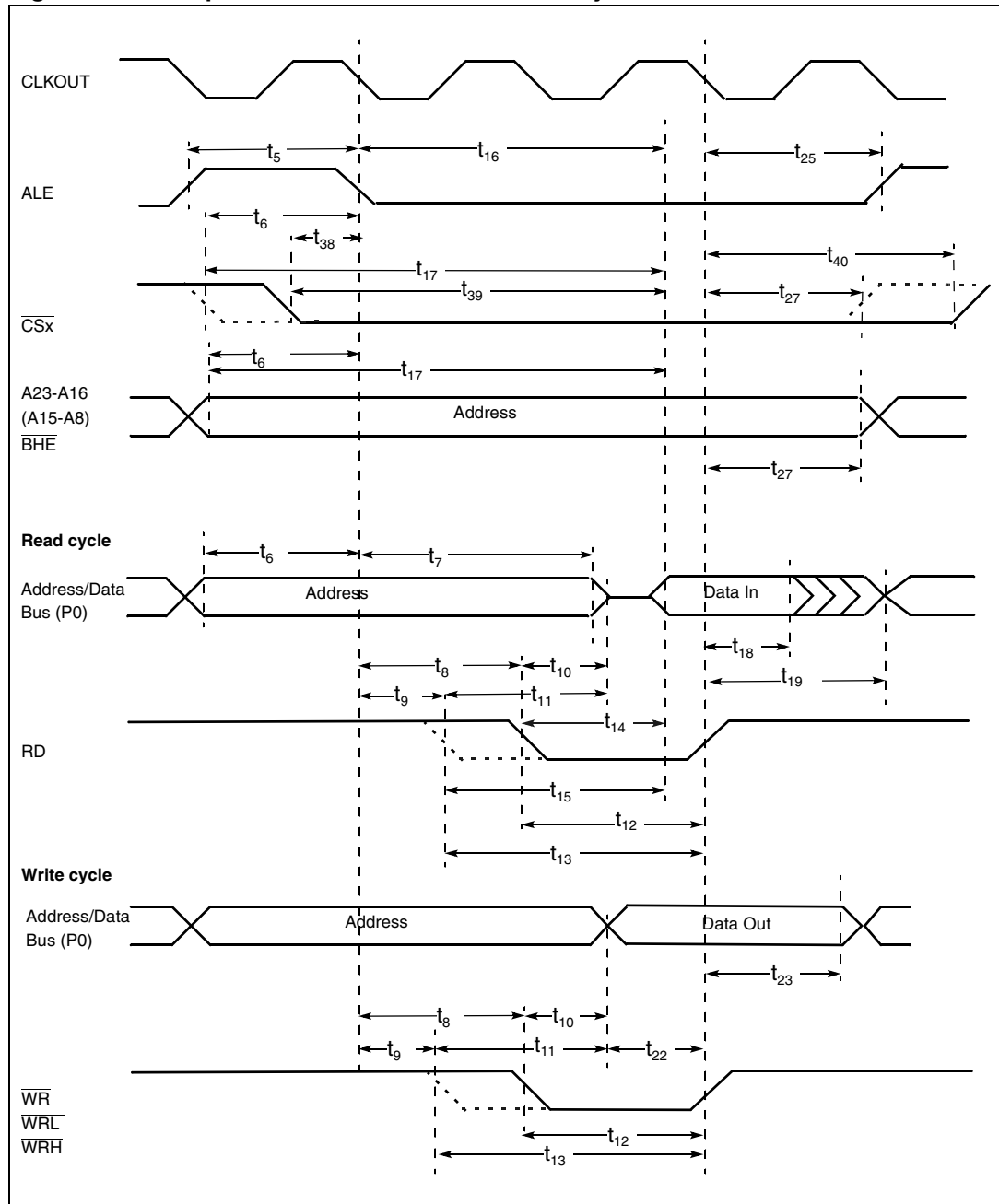


Figure 59. Multiplexed bus, with/without R/W delay, normal ALE, R/W CS

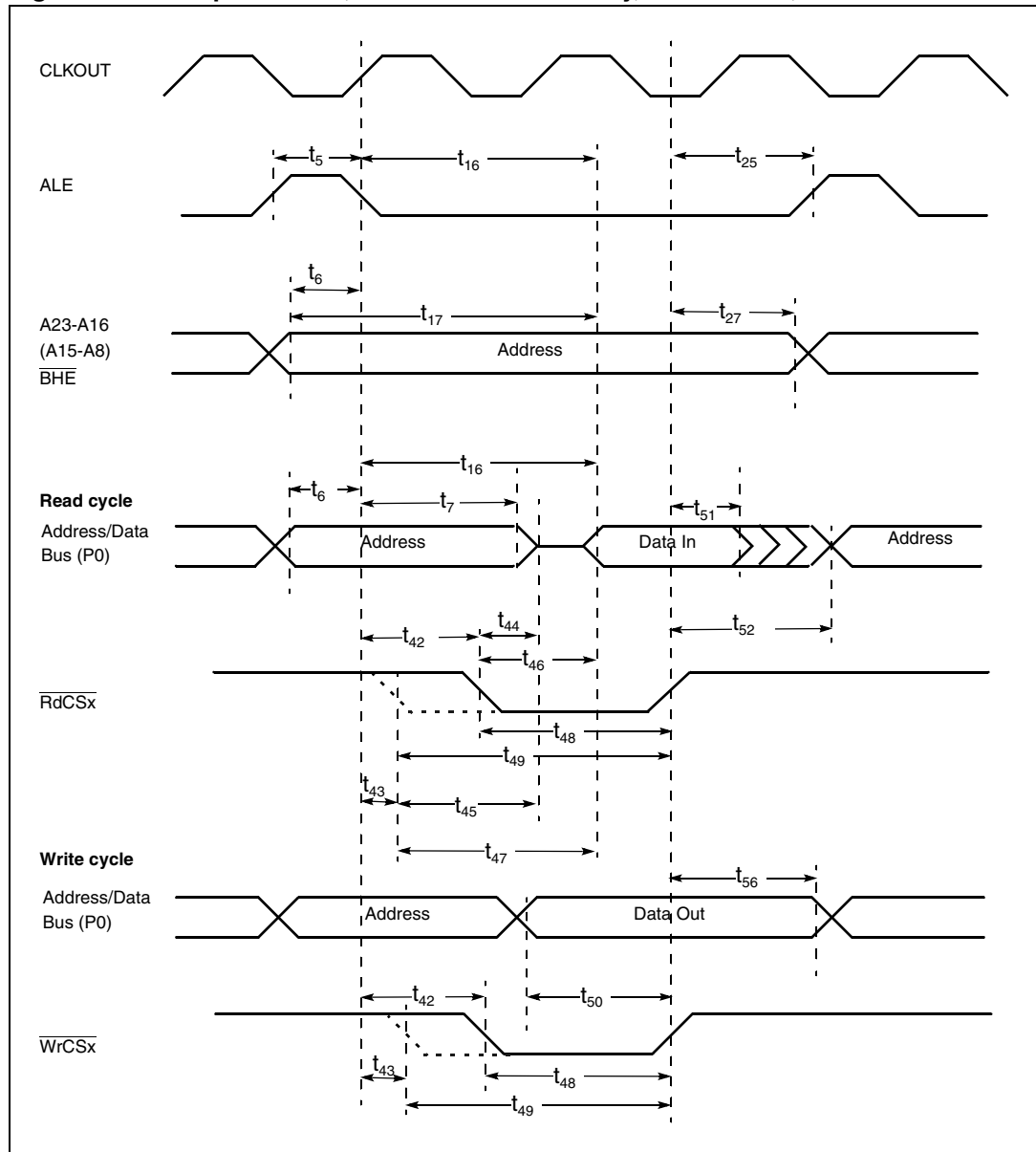
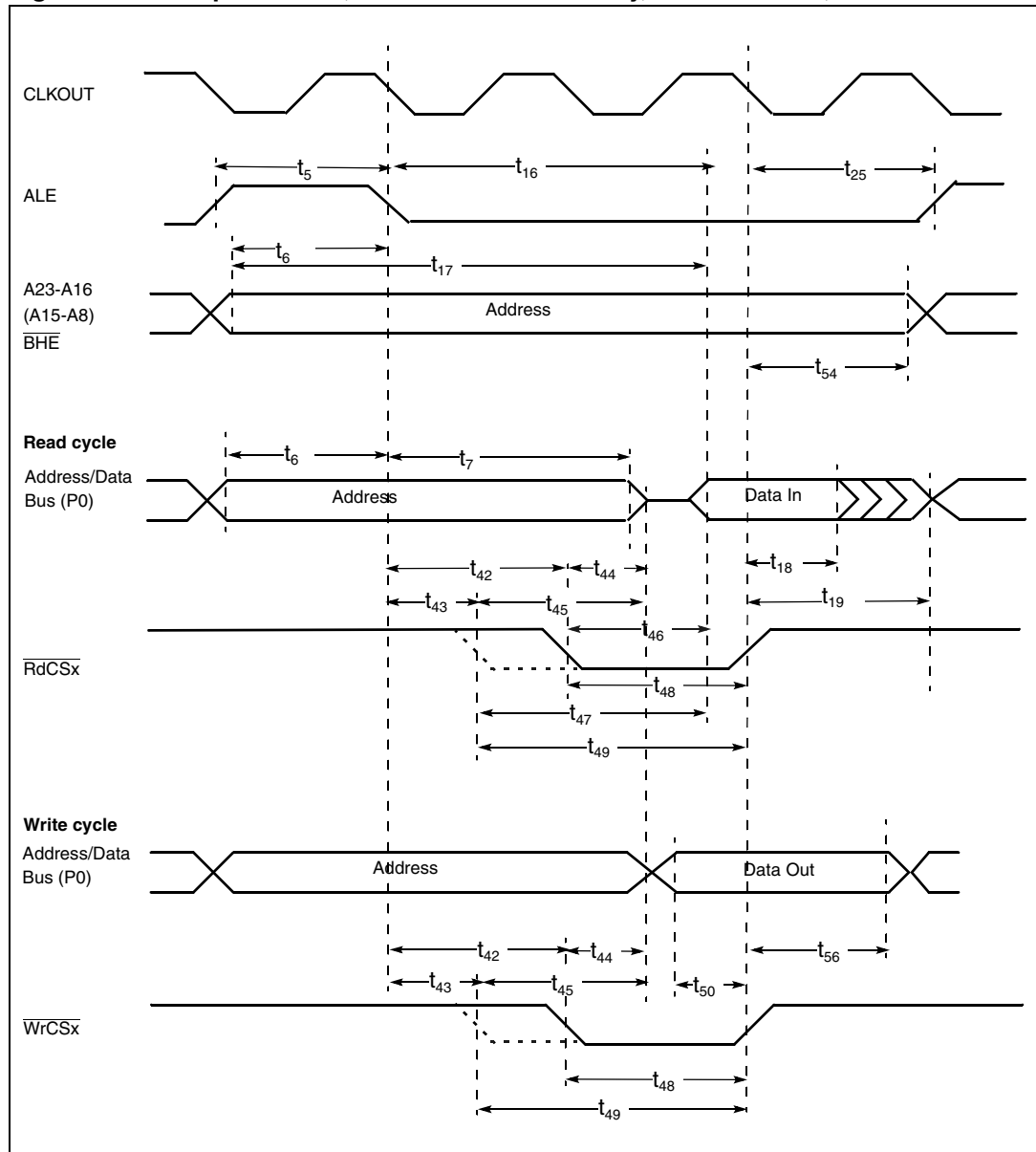


Figure 60. Multiplexed bus, with/without R/ W delay, extended ALE, R/W CS



### 23.8.19 Demultiplexed bus

$V_{DD} = 5\text{ V} \pm 10\%$ ,  $V_{SS} = 0\text{ V}$ ,  $T_A = -40\text{ to }+125\text{ }^\circ\text{C}$ ,  $C_L = 50\text{ pF}$ ,  
 ALE cycle time =  $4\text{ TCL} + 2t_A + t_C + t_F$  (50 ns at 40 MHz CPU clock without wait states).

**Table 107. Demultiplexed bus**

Symbol	Parameter	$F_{CPU} = 40\text{ MHz}$ $TCL = 12.5\text{ ns}$		Variable CPU clock $1/2\text{ TCL} = 1\text{ to }64\text{ MHz}$		Unit
		Min.	Max.	Min.	Max.	
$t_5$	CC ALE high time	$4 + t_A$	–	$TCL - 8.5 + t_A$	–	ns
$t_6$	CC Address setup to ALE	$1.5 + t_A$	–	$TCL - 11 + t_A$	–	ns
$t_{80}$	CC Address/Unlatched $\overline{CS}$ setup to $\overline{RD}$ , $\overline{WR}$ (with RW-delay)	$12.5 + 2t_A$	–	$2TCL - 12.5 + 2t_A$	–	ns
$t_{81}$	CC Address/Unlatched $\overline{CS}$ setup to $\overline{RD}$ , $\overline{WR}$ (no RW-delay)	$0.5 + 2t_A$	–	$TCL - 12 + 2t_A$	–	ns
$t_{12}$	CC $\overline{RD}$ , $\overline{WR}$ low time (with RW-delay)	$15.5 + t_C$	–	$2TCL - 9.5 + t_C$	–	ns
$t_{13}$	CC $\overline{RD}$ , $\overline{WR}$ low time (no RW-delay)	$28 + t_C$	–	$3TCL - 9.5 + t_C$	–	ns
$t_{14}$	SR $\overline{RD}$ to valid data in (with RW-delay)	–	$6 + t_C$	–	$2TCL - 19 + t_C$	ns
$t_{15}$	SR $\overline{RD}$ to valid data in (no RW-delay)	–	$18.5 + t_C$	–	$3TCL - 19 + t_C$	ns
$t_{16}$	SR ALE low to valid data in	–	$17.5 + t_A + t_C$	–	$3TCL - 20 + t_A + t_C$	ns
$t_{17}$	SR Address/Unlatched $\overline{CS}$ to valid data in	–	$20 + 2t_A + t_C$	–	$4TCL - 30 + 2t_A + t_C$	ns
$t_{18}$	SR Data hold after $\overline{RD}$ rising edge	0	–	0	–	ns
$t_{20}$	SR Data float after $\overline{RD}$ rising edge (with RW-delay) <sup>(1)</sup>	–	$16.5 + t_F$	–	$2TCL - 8.5 + t_F + 2t_A$	ns
$t_{21}$	SR Data float after $\overline{RD}$ rising edge (no RW-delay) <sup>1</sup>	–	$4 + t_F$	–	$TCL - 8.5 + t_F + 2t_A$	ns
$t_{22}$	CC Data valid to $\overline{WR}$	$10 + t_C$	–	$2TCL - 15 + t_C$	–	ns
$t_{24}$	CC Data hold after $\overline{WR}$	$4 + t_F$	–	$TCL - 8.5 + t_F$	–	ns
$t_{26}$	CC ALE rising edge after $\overline{RD}$ , $\overline{WR}$	$-10 + t_F$	–	$-10 + t_F$	–	ns
$t_{28}$	CC Address/Unlatched $\overline{CS}$ hold after $\overline{RD}$ , $\overline{WR}$ <sup>(2)</sup>	$0 + t_F$	–	$0 + t_F$	–	ns
$t_{28h}$	CC Address/Unlatched $\overline{CS}$ hold after $\overline{WRH}$	$-5 + t_F$	–	$-5 + t_F$	–	ns

Table 107. Demultiplexed bus (continued)

Symbol	Parameter	$F_{\text{CPU}} = 40 \text{ MHz}$ $\text{TCL} = 12.5 \text{ ns}$		Variable CPU clock $1/2 \text{ TCL} = 1 \text{ to } 64 \text{ MHz}$		Unit
		Min.	Max.	Min.	Max.	
$t_{38}$ CC	ALE falling edge to Latched $\overline{\text{CS}}$	$-4 - t_A$	$6 - t_A$	$-4 - t_A$	$6 - t_A$	ns
$t_{39}$ SR	Latched $\overline{\text{CS}}$ low to Valid Data In	–	$16.5 + t_C + 2t_A$	–	$3\text{TCL} - 21 + t_C + 2t_A$	ns
$t_{41}$ CC	Latched $\overline{\text{CS}}$ hold after $\overline{\text{RD}}, \overline{\text{WR}}$	$2 + t_F$	–	$\text{TCL} - 10.5 + t_F$	–	ns
$t_{82}$ CC	Address setup to $\overline{\text{RdCS}}, \overline{\text{WrCS}}$ (with RW-delay)	$14 + 2t_A$	–	$2\text{TCL} - 11 + 2t_A$	–	ns
$t_{83}$ CC	Address setup to $\overline{\text{RdCS}}, \overline{\text{WrCS}}$ (no RW-delay)	$2 + 2t_A$	–	$\text{TCL} - 10.5 + 2t_A$	–	ns
$t_{46}$ SR	$\overline{\text{RdCS}}$ to Valid Data In (with RW-delay)	–	$4 + t_C$	–	$2\text{TCL} - 21 + t_C$	ns
$t_{47}$ SR	$\overline{\text{RdCS}}$ to Valid Data In (no RW-delay)	–	$16.5 + t_C$	–	$3\text{TCL} - 21 + t_C$	ns
$t_{48}$ CC	$\overline{\text{RdCS}}, \overline{\text{WrCS}}$ low time (with RW-delay)	$15.5 + t_C$	–	$2\text{TCL} - 9.5 + t_C$	–	ns
$t_{49}$ CC	$\overline{\text{RdCS}}, \overline{\text{WrCS}}$ low time (no RW-delay)	$28 + t_C$	–	$3\text{TCL} - 9.5 + t_C$	–	ns
$t_{50}$ CC	Data valid to $\overline{\text{WrCS}}$	$10 + t_C$	–	$2\text{TCL} - 15 + t_C$	–	ns
$t_{51}$ SR	Data hold after $\overline{\text{RdCS}}$	0	–	0	–	ns
$t_{53}$ SR	Data float after $\overline{\text{RdCS}}$ (with RW-delay)	–	$16.5 + t_F$	–	$2\text{TCL} - 8.5 + t_F$	ns
$t_{68}$ SR	Data float after $\overline{\text{RdCS}}$ (no RW-delay)	–	$4 + t_F$	–	$\text{TCL} - 8.5 + t_F$	ns
$t_{55}$ CC	Address hold after $\overline{\text{RdCS}}, \overline{\text{WrCS}}$	$-8.5 + t_F$	–	$-8.5 + t_F$	–	ns
$t_{57}$ CC	Data hold after $\overline{\text{WrCS}}$	$2 + t_F$	–	$\text{TCL} - 10.5 + t_F$	–	ns

1. RW-delay and  $t_A$  refer to the next following bus cycle.
2. Read data is latched with the same clock edge that triggers the address change and the rising  $\overline{\text{RD}}$  edge. Therefore address changes which occur before the end of  $\overline{\text{RD}}$  have no impact on read cycles.

The following figures ([Figure 57](#) to [Figure 64](#)) present the different configurations of external memory cycle.

Figure 61. Demultiplexed bus, with/without read/write delay and normal ALE

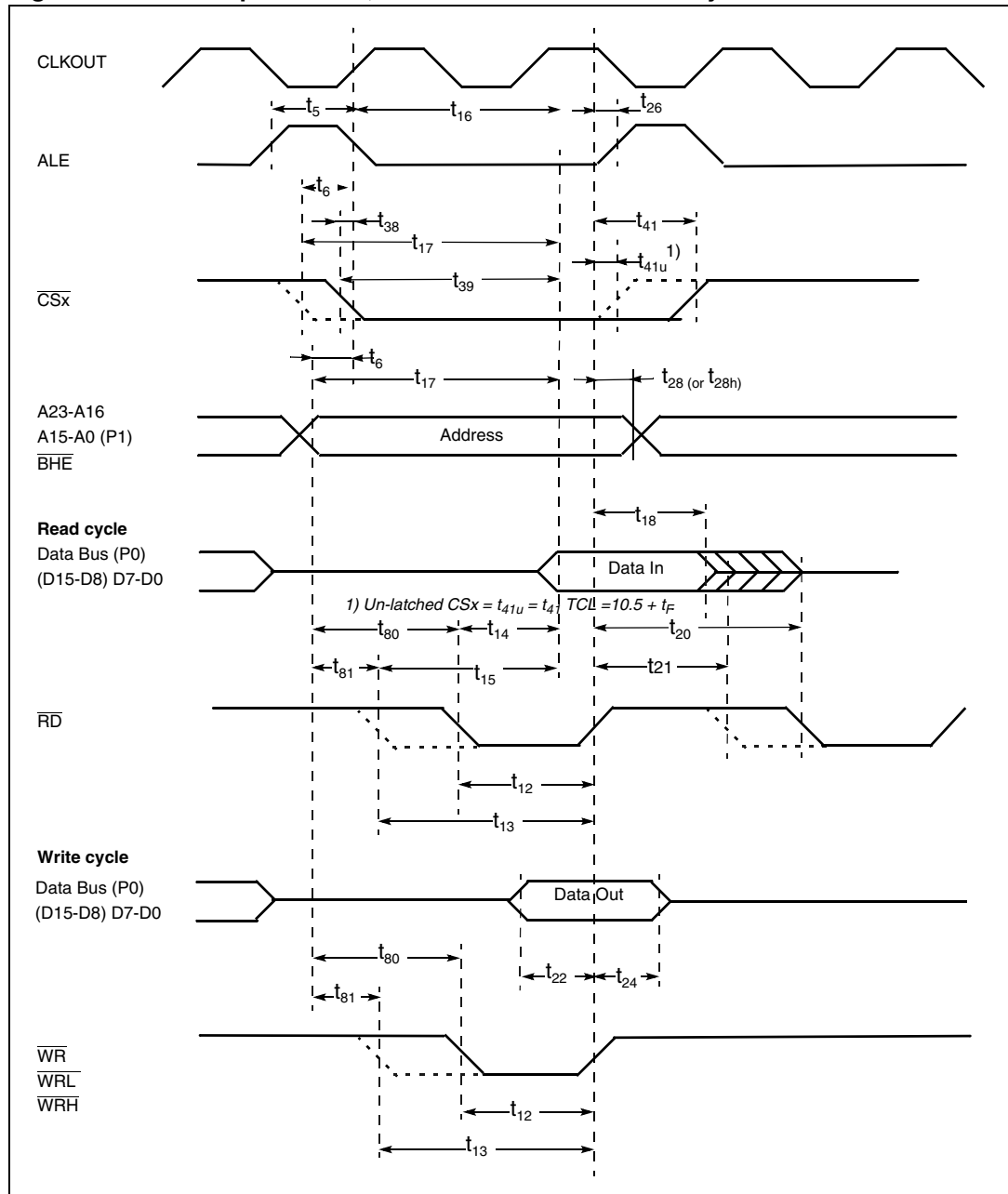




Figure 62. Demultiplexed bus with/without R/W delay and extended ALE

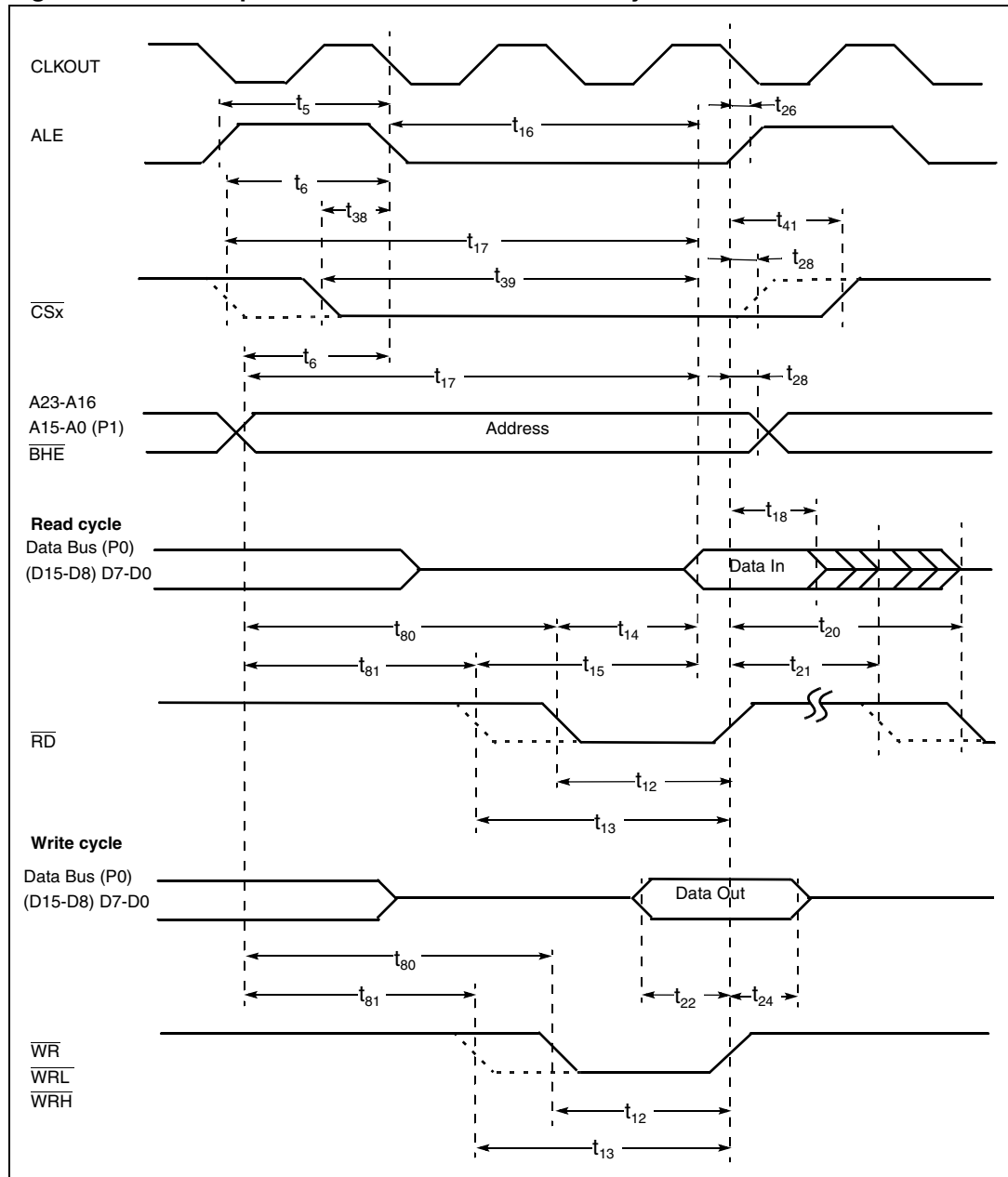


Figure 63. Demultiplexed bus with ALE and R/W CS

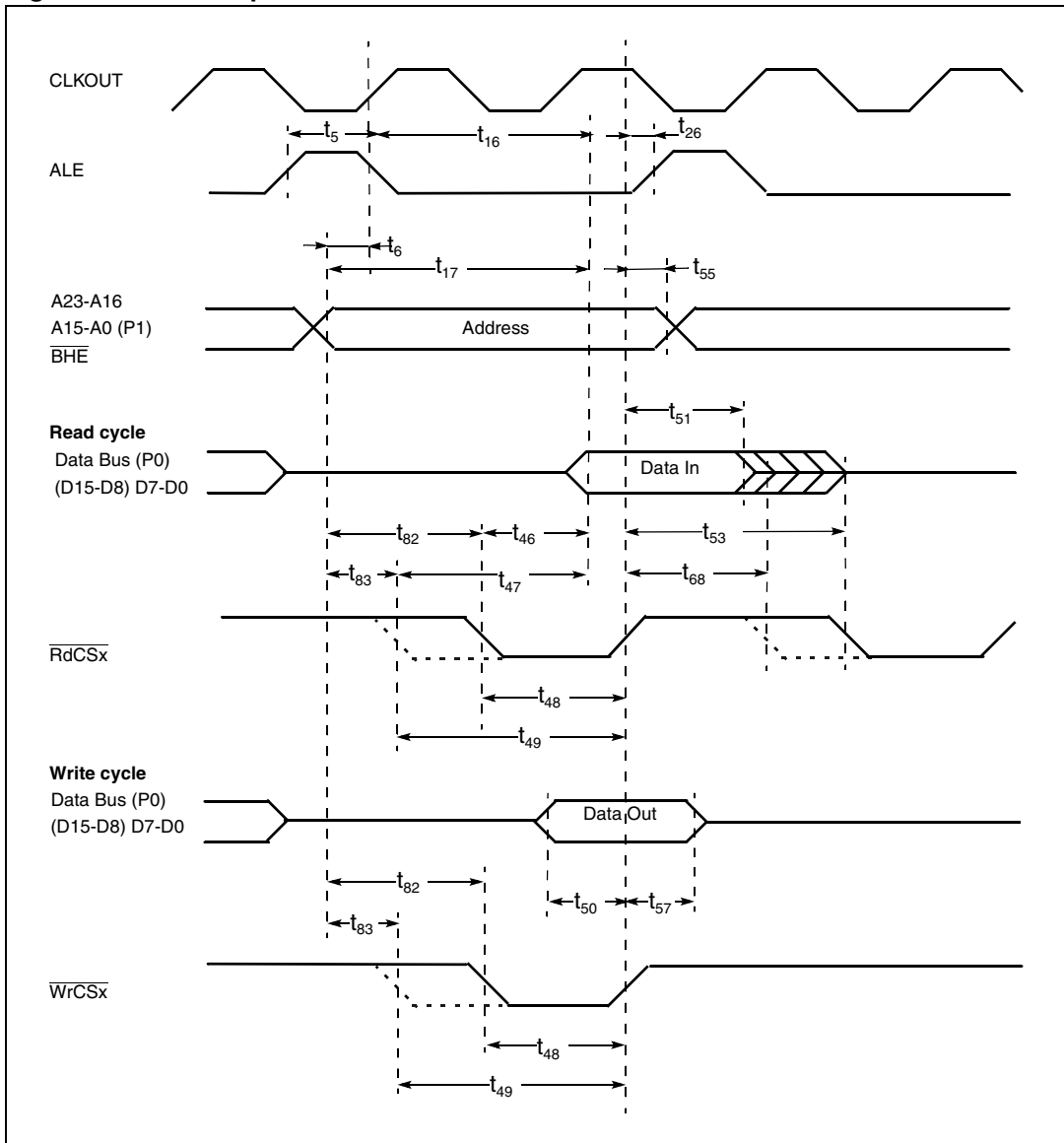
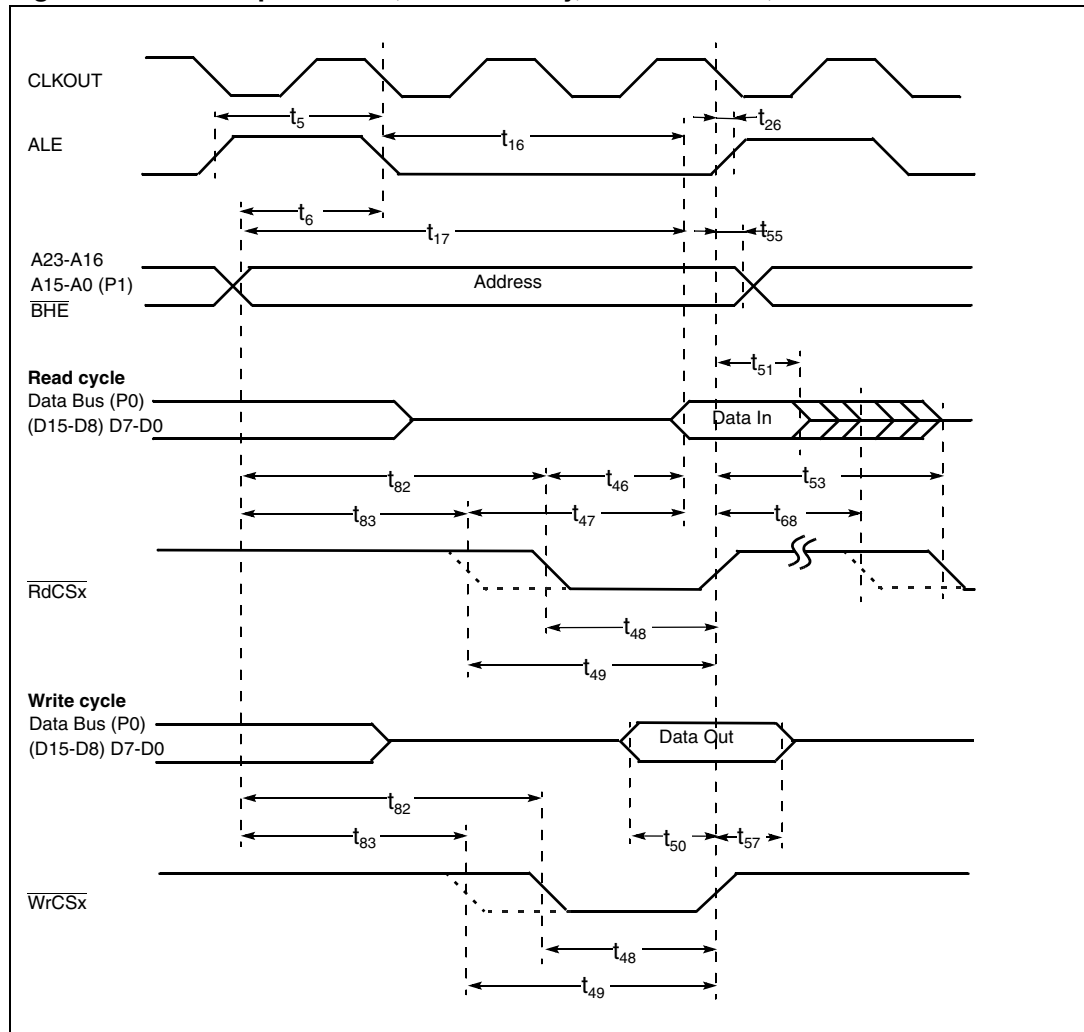


Figure 64. Demultiplexed bus, no R/W delay, extended ALE, R/W CS



**23.8.20 CLKOUT and  $\overline{\text{READY}}$**

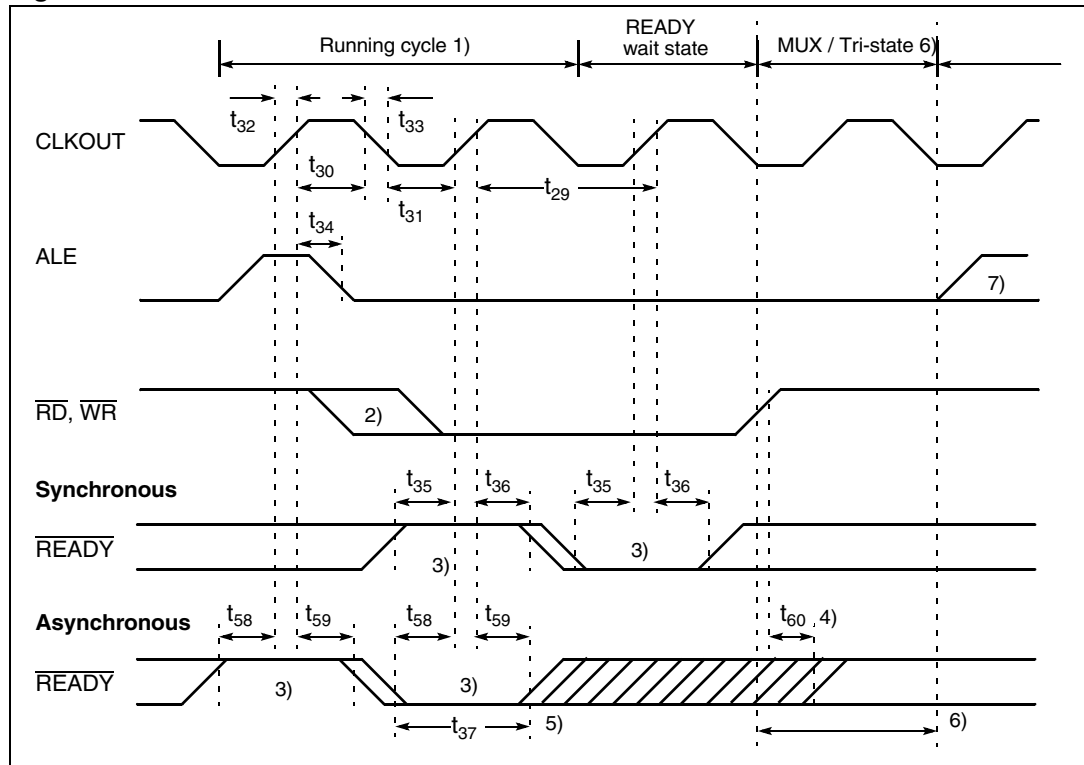
$V_{DD} = 5\text{ V} \pm 10\%$ ,  $V_{SS} = 0\text{ V}$ ,  $T_A = -40\text{ to } +125\text{ }^\circ\text{C}$ ,  $C_L = 50\text{ pF}$

**Table 108. CLKOUT and  $\overline{\text{READY}}$**

Symbol	Parameter	$F_{\text{CPU}} = 40\text{ MHz}$ $\text{TCL} = 12.5\text{ ns}$		Variable CPU clock $1/2\text{ TCL} = 1\text{ to }64\text{ MHz}$		Unit
		Min.	Max.	Min.	Max.	
$t_{29}$ <b>CC</b>	CLKOUT cycle time	25	25	2TCL	2TCL	ns
$t_{30}$ <b>CC</b>	CLKOUT high time	9	-	TCL - 3.5	-	
$t_{31}$ <b>CC</b>	CLKOUT low time	10		TCL - 2.5		
$t_{32}$ <b>CC</b>	CLKOUT rise time	-	4	-	4	
$t_{33}$ <b>CC</b>	CLKOUT fall time					
$t_{34}$ <b>CC</b>	CLKOUT rising edge to ALE falling edge	$-2 + t_A$	$8 + t_A$	$-2 + t_A$	$8 + t_A$	
$t_{35}$ <b>SR</b>	Synchronous $\overline{\text{READY}}$ setup time to CLKOUT	17	-	17	-	
$t_{36}$ <b>SR</b>	Synchronous $\overline{\text{READY}}$ hold time after CLKOUT	2		2		
$t_{37}$ <b>SR</b>	Asynchronous $\overline{\text{READY}}$ low time	35		2TCL + 10		
$t_{58}$ <b>SR</b>	Asynchronous $\overline{\text{READY}}$ setup time <sup>(1)</sup>	17		17		
$t_{59}$ <b>SR</b>	Asynchronous $\overline{\text{READY}}$ hold time <sup>(1)</sup>	2		2		
$t_{60}$ <b>SR</b>	Async. $\overline{\text{READY}}$ hold time after RD, WR high (Demultiplexed Bus) <sup>(2)</sup>	0		$2t_A + t_C + t_F$		

1. These timings are given for characterization purposes only, in order to assure recognition at a specific clock edge.
2. Demultiplexed bus is the worst case. For multiplexed bus 2TCLs must be added to the maximum values. This adds even more time for deactivating  $\overline{\text{READY}}$ .  $2t_A$  and  $t_C$  refer to the next following bus cycle and  $t_F$  refers to the current bus cycle.

Figure 65. CLKOUT and  $\overline{\text{READY}}$



1. Cycle as programmed, including MCTC wait states (Example shows 0 MCTC WS).
2. The leading edge of the respective command depends on RW-delay.
3.  $\overline{\text{READY}}$  sampled HIGH at this sampling point generates a  $\overline{\text{READY}}$  controlled wait state,  $\overline{\text{READY}}$  sampled LOW at this sampling point terminates the currently running bus cycle.
4.  $\overline{\text{READY}}$  may be deactivated in response to the trailing (rising) edge of the corresponding command ( $\overline{\text{RD}}$  or  $\overline{\text{WR}}$ ).
5. If the Asynchronous  $\overline{\text{READY}}$  signal does not fulfill the indicated setup and hold times with respect to CLKOUT (for example, because CLKOUT is not enabled), it must fulfill  $t_{37}$  in order to be safely synchronized. This is guaranteed if  $\overline{\text{READY}}$  is removed in response to the command (see Note 4).
6. Multiplexed bus modes have a MUX wait state added after a bus cycle, and an additional MTTC wait state may be inserted here.  
For a multiplexed bus with MTTC wait state this delay is 2 CLKOUT cycles; for a demultiplexed bus without MTTC wait state this delay is zero.
7. The next external bus cycle may start here.

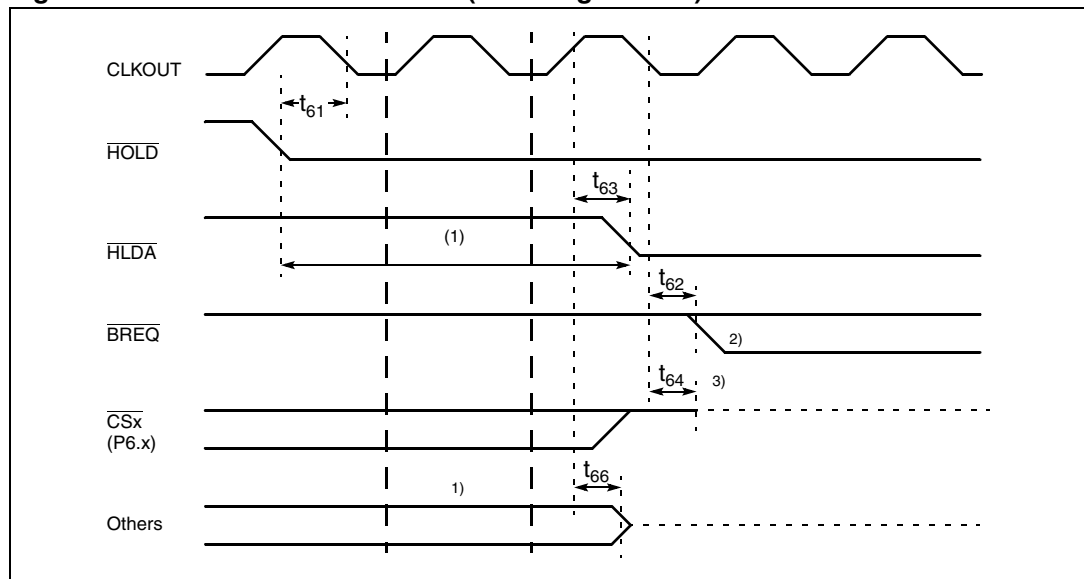
### 23.8.21 External bus arbitration

$V_{DD} = 5\text{ V} \pm 10\%$ ,  $V_{SS} = 0\text{ V}$ ,  $T_A = -40\text{ to }+125\text{ }^\circ\text{C}$ ,  $C_L = 50\text{ pF}$

**Table 109. External bus arbitration**

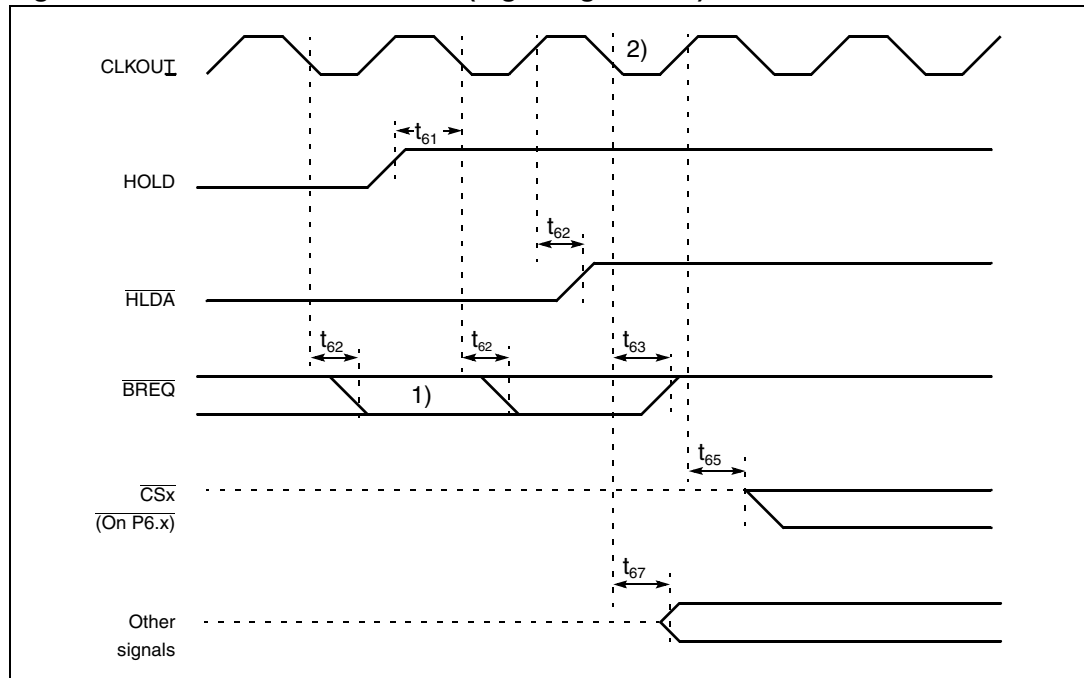
Symbol	Parameter	$F_{CPU} = 40\text{ MHz}$ $TCL = 12.5\text{ ns}$		Variable CPU Clock $1/2\text{ TCL} = 1\text{ to }64\text{ MHz}$		Unit
		Min.	Max.	Min.	Max.	
$t_{61}$ SR	$\overline{HOLD}$ input setup time to CLKOUT	18.5	–	18.5	–	ns
$t_{62}$ CC	CLKOUT to $\overline{HLDA}$ high or $\overline{BREQ}$ low delay	–	12.5	–	12.5	
$t_{63}$ CC	CLKOUT to $\overline{HLDA}$ low or $\overline{BREQ}$ high delay					
$t_{64}$ CC	$\overline{CSx}$ release					
$t_{65}$ CC	$\overline{CSx}$ drive	– 4	15	– 4	15	
$t_{66}$ CC	Other signals release	–	20	–	20	
$t_{67}$ CC	Other signals drive	– 4	15	– 4	15	

**Figure 66. External bus arbitration (releasing the bus)**



1. The device completes the currently running bus cycle before granting bus access.
2. This is the first possibility for  $\overline{BREQ}$  to become active.
3. The  $\overline{CS}$  outputs will be resistive high (pull-up) after  $t_{64}$ .

Figure 67. External bus arbitration (regaining the bus)



1. This is the last chance for  $\overline{BREQ}$  to trigger the indicated regain-sequence. Even if  $\overline{BREQ}$  is activated earlier, the regain-sequence is initiated by  $\overline{HOLD}$  going high. Please note that  $\overline{HOLD}$  may also be deactivated without the device requesting the bus.
2. The next driven bus cycle may start here.

### 23.8.22 High-speed synchronous serial interface (SSC) timing modes

#### Master mode

V<sub>DD</sub> = 5 V ±10%, V<sub>SS</sub> = 0 V, T<sub>A</sub> = -40 to +125 °C, C<sub>L</sub> = 50 pF

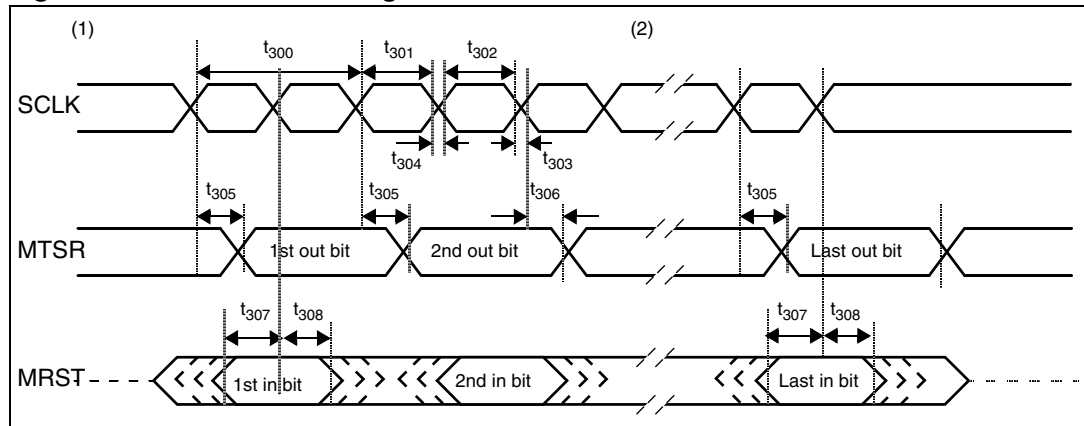
Table 110. Master mode

Symbol	Parameter	Max. baud rate 6.6MBd <sup>(1)</sup> @ F <sub>CPU</sub> = 40 MHz (<SSCBR> = 0002h)		Variable baud rate (<SSCBR> = 0001h - FFFFh)		Unit	
		Min.	Max.	Min.	Max.		
t <sub>300</sub> CC	SSC clock cycle time <sup>(2)</sup>	150	150	8TCL	262144 TCL	ns	
t <sub>301</sub> CC	SSC clock high time	63	-	t <sub>300</sub> / 2 - 12	-		
t <sub>302</sub> CC	SSC clock low time						
t <sub>303</sub> CC	SSC clock rise time	-	10	-	10		
t <sub>304</sub> CC	SSC clock fall time						
t <sub>305</sub> CC	Write data valid after shift edge						
t <sub>306</sub> CC	Write data hold after shift edge	- 2	-	-	-		
t <sub>307p</sub> SR	Read data setup time before latch edge, phase error detection on (SSCPEN = 1)	37.5					2TCL + 12.5
t <sub>308p</sub> SR	Read data hold time after latch edge, phase error detection on (SSCPEN = 1)	50					4TCL
t <sub>307</sub> SR	Read data setup time before latch edge, phase error detection off (SSCPEN = 0)	25					2TCL
t <sub>308</sub> SR	Read data hold time after latch edge, phase error detection off (SSCPEN = 0)	0					0

- Maximum baud rate is in reality 8Mbaud, that can be reached with 64 MHz CPU clock and <SSCBR> set to '3h', or with 48 MHz CPU clock and <SSCBR> set to '2h'. When 40 MHz CPU clock is used the maximum baud rate cannot be higher than 6.6Mbaud (<SSCBR> = '2h') due to the limited granularity of <SSCBR>. Value '1h' for <SSCBR> may be used only with CPU clock equal to (or lower than) 32 MHz (after checking that timings are in line with the target slave).
- Formula for SSC Clock Cycle time:  
 $t_{300} = 4 \text{ TCL} \times (<SSCBR> + 1)$   
 Where <SSCBR> represents the content of the SSC baud rate register, taken as unsigned 16-bit integer.  
 Minimum limit allowed for t<sub>300</sub> is 125 ns (corresponding to 8Mbaud)



Figure 68. SSC master timing



1. The phase and polarity of shift and latch edge of SCLK is programmable. This figure uses the leading clock edge as shift edge (drawn in bold), with latch on trailing edge (SSCPH = 0b), idle clock line is low, leading clock edge is low-to-high transition (SSCPO = 0b).
2. The bit timing is repeated for all bits to be transmitted or received.

**Slave mode**

$V_{DD} = 5\text{ V} \pm 10\%$ ,  $V_{SS} = 0\text{ V}$ ,  $T_A = -40\text{ to } +125\text{ }^\circ\text{C}$ ,  $C_L = 50\text{ pF}$

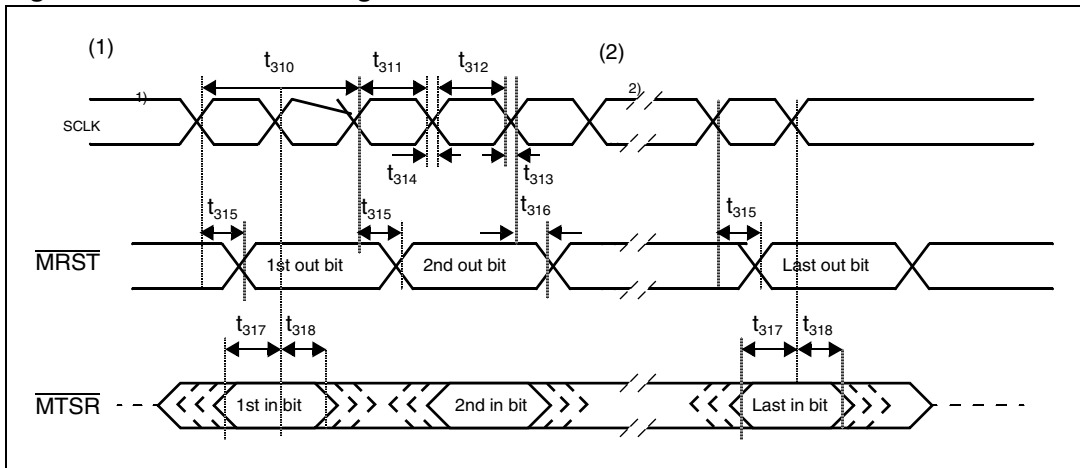
**Table 111. Slave mode**

Symbol	Parameter	Max. baud rate 6.6 MBd <sup>(1)</sup> @F <sub>CPU</sub> = 40 MHz (<SSCBR> = 0002h)		Variable baud rate (<SSCBR> = 0001h - FFFFh)		Unit
		Min.	Max.	Min.	Max.	
t <sub>310</sub> SR	SSC clock cycle time <sup>(2)</sup>	150	150	8TCL	262144 TCL	ns
t <sub>311</sub> SR	SSC clock high time	63	-	t <sub>310</sub> / 2 - 12	-	
t <sub>312</sub> SR	SSC clock low time					
t <sub>313</sub> SR	SSC clock rise time	-	10	-	10	
t <sub>314</sub> SR	SSC clock fall time					
t <sub>315</sub> CC	Write data valid after shift edge					
t <sub>316</sub> CC	Write data hold after shift edge	0	0	0	-	
t <sub>317p</sub> SR	Read data setup time before latch edge, phase error detection on (SSCPEN = 1)	62	-	4TCL + 12	-	
t <sub>318p</sub> SR	Read data hold time after latch edge, phase error detection on (SSCPEN = 1)	87	-	6TCL + 12	-	
t <sub>317</sub> SR	Read data setup time before latch edge, phase error detection off (SSCPEN = 0)	6	-	6	-	
t <sub>318</sub> SR	Read data hold time after latch edge, phase error detection off (SSCPEN = 0)	31	-	2TCL + 6	-	

1. Maximum baud rate is in reality 8Mbaud, that can be reached with 64 MHz CPU clock and <SSCBR> set to '3h', or with 48 MHz CPU clock and <SSCBR> set to '2h'. When 40 MHz CPU clock is used the maximum baud rate cannot be higher than 6.6Mbaud (<SSCBR> = '2h') due to the limited granularity of <SSCBR>. Value '1h' for <SSCBR> may be used only with CPU clock lower than 32 MHz (after checking that timings are in line with the target master).

2. Formula for SSC Clock Cycle time:  
 $t_{310} = 4\text{ TCL} * (<SSCBR> + 1)$   
 Where <SSCBR> represents the content of the SSC baud rate register, taken as unsigned 16-bit integer. Minimum limit allowed for t<sub>310</sub> is 125ns (corresponding to 8Mbaud).

Figure 69. SSC slave timing



1. The phase and polarity of shift and latch edge of SCLK is programmable. This figure uses the leading clock edge as shift edge (drawn in bold), with latch on trailing edge (SSCPH = 0b), idle clock line is low, leading clock edge is low-to-high transition (SSCPO = 0b).
2. The bit timing is repeated for all bits to be transmitted or received.

## 24 Known limitations

This section describes the functional and electrical limitations identified on the CEG silicon revision of the ST10F276Z5.

The major revision of the device is contained in the device identification register, IDCHIP, located at address F07Ch. For Cxx versions, IDCHIP is set to 1143h.

### 24.1 Functional limitations

The function limitations identified on the ST10F276Z5 are the following:

- Injected conversion stalling the A/D converter (see [Section 24.1.1: Injected conversion stalling the A/D converter](#))
- Concurrent transmission requests in DAR mode (C-CAN module) (see [Section 24.1.2: Concurrent transmission requests in DAR-mode \(C-CAN module\)](#))
- Disabling transmission requests (see [Section 24.1.3: Disabling the transmission requests \(C-CAN module\)](#))
- Spurious  $\overline{\text{BREQ}}$  pulse in slave mode during external bus arbitration phase (see [Section 24.1.4: Spurious BREQ pulse in slave mode during external bus arbitration phase](#))
- Executing PWRDN instructions (see [Section 24.1.5: Executing PWRDN instructions](#))
- Behavior of capture/compare (CAPCOM) outputs in COMPARE mode 3 (see [Section 24.1.6: Behavior of CAPCOM outputs in COMPARE mode 3](#))

#### 24.1.1 Injected conversion stalling the A/D converter

##### Description

The A/D converter is stalled and no further conversions are performed when a new injection request is issued before the CPU reads the ADDAT2 register (that is when the CPU has not read the result of the previous injection request).

##### Workarounds and recovery actions

The following actions allow to unlock the A/D converter:

1. Read the ADDAT2 register twice at the end of every injected conversion. This action also prevents the ADC from being stalled.
2. Disable and then enable again the wait for read mode.

##### Application conditions

This problem occurs if all the following conditions are fulfilled:

- Injection requests are hardware triggered (via CapCom CC31).
- The results of injected conversions are read by performing a PEC transfer. This prevents from reading twice the ADDAT2 register by software.
- A high level task is disabling the PEC transfer for a long time (time needed for 2 analog conversions plus time between 2 injection requests).

Therefore, to prevent the locking situation from occurring, it is important to make sure that no task can disable interrupts for a period of time during which 2 injection requests can occur before a read operation is performed.

### Detailed analysis

Channel Injection mode allows to convert a specific analog channel without changing the current operating mode. It can also be used when the A/D converter is running in continuous or auto scan mode.

The following main points need to be highlighted:

- The A/D converter must be in Wait for ADDAT read mode in order for the Channel Injection mode to operate properly.
- At the end of the injected conversion the data is available in the alternate result register, ADDAT2, and a Channel Injection Complete Interrupt request is generated (ADEIR Flag).
- If the temporary data register used for ADDAT2 read mode is full, the next conversion (standard or injected) is suspended. The temporary register then stores the content of ADDAT (standard conversion) or ADDAT2 (injected conversion).

If the temporary data register used for ADDAT2 read mode is full and a new injection request occurs, then the new converted value is stored into a temporary data register until the previous one is read from ADDAT2 register.

To ensure correct operation as soon as ADDAT2 register is read, the last converted value should be moved from temporary register to ADDAT2 and the ADEINT interrupt should be generated. This allows the CPU to read the last converted value (see [Figure 70](#)).

In real circumstances, as soon as the ADDAT2 register is read, the last converted value is correctly moved from the temporary register to the ADDAT2, but no ADEINT interrupt request is sent to the Interrupt controller (see [Figure 71](#)). As a consequence the CPU/PEC does not know that a new converted value is available in the ADDAT2 register. When the next injection request is issued, the A/D converter fills the temporary register again without generating any ADEINT interrupt request and the converter is stalled. The A/D converter stays in the “wait for read ADDAT2 register” condition forever.

Figure 70. ADC injection theoretical operation

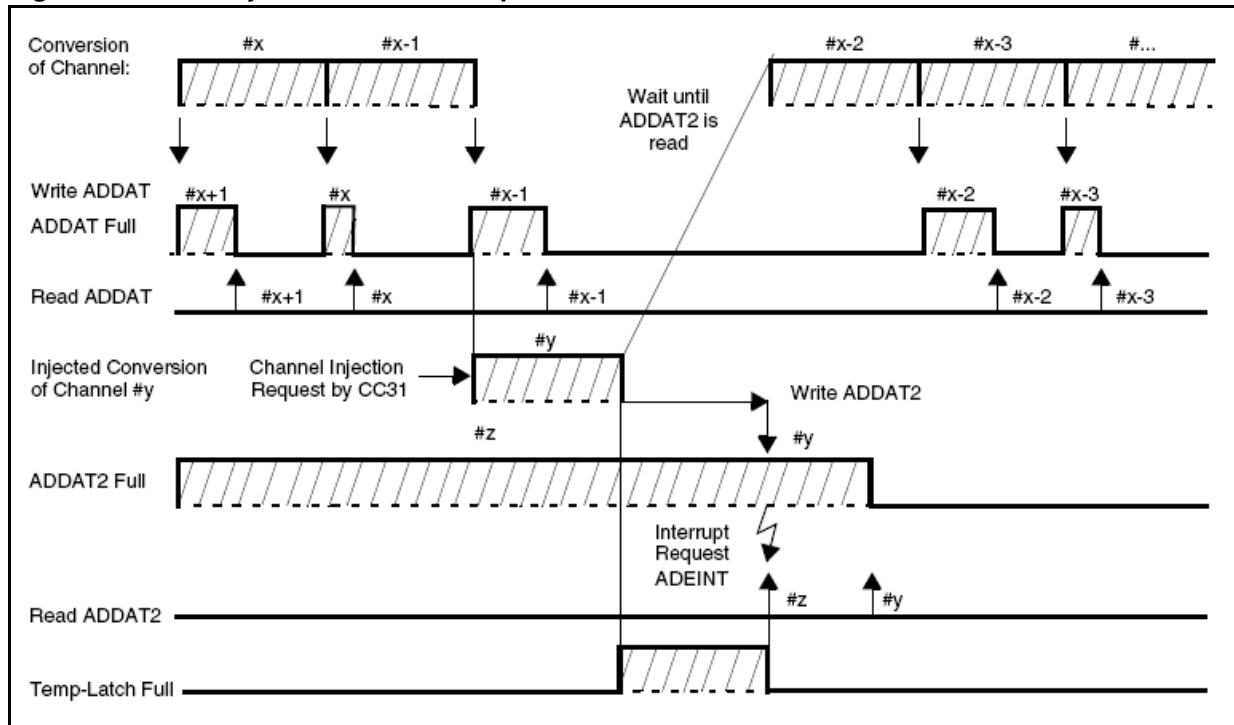
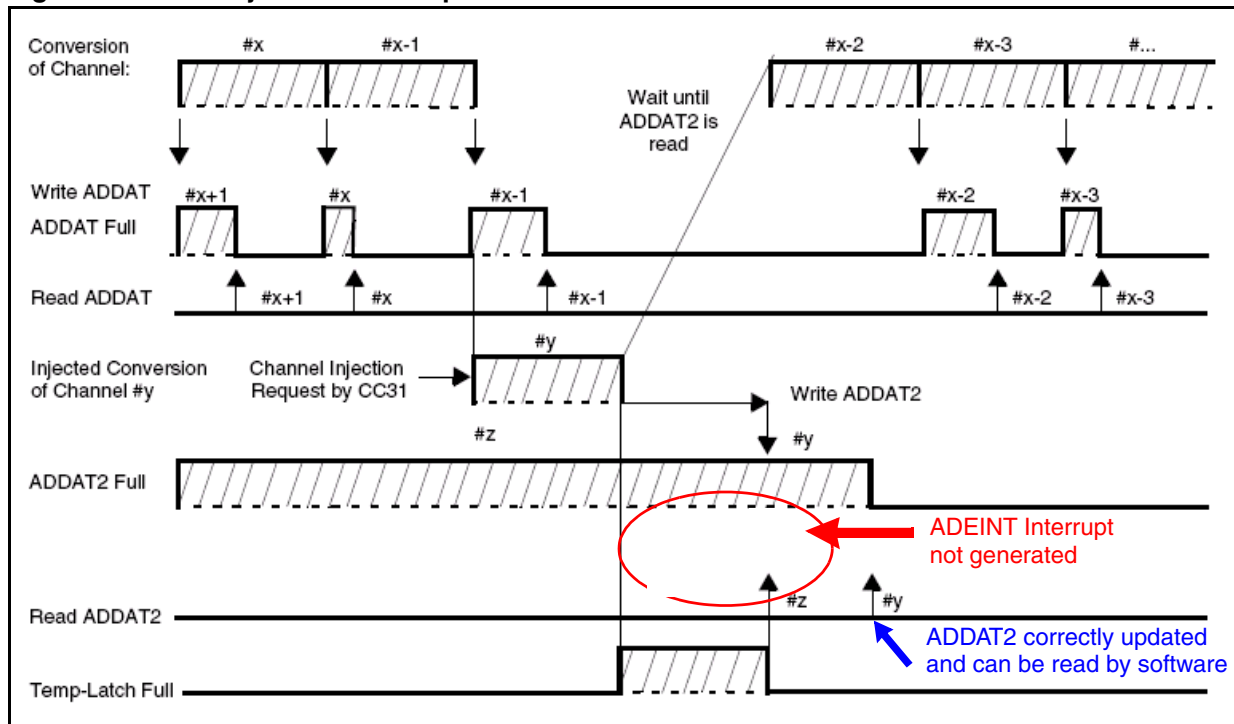


Figure 71. ADC injection actual operation



## 24.1.2 Concurrent transmission requests in DAR-mode (C-CAN module)

### Description

When the C-CAN module is configured to operate in DAR mode (Disable Automatic Retransmission) and the host requests the transmission of several messages at the same time, only two of these messages are transmitted. For all other message transmission requests the TxRqst bits are reset, no transmission is started, and NewDat and IntPnd are kept unchanged. For the two messages which are transmitted, the TxRqst and NewDat bits are reset and IntPnd is set if it has been enabled by TxIE. TxRqst, NewDat and IntPnd are bits of the message interface control registers.

The normal operation mode (DAR = 0) is not affected by this phenomenon.

### Workaround

The DAR mode is intended to support time-triggered operation (TTCAN level 1) supporting the transmission of a message only in its dedicated time window. It is an error to request the transmission of several messages at the same time, and no workarounds should consequently be necessary for TTCAN applications.

The progress of a requested transmission can be monitored by checking the message object TxRqst and NewDat [optionally IntPnd] bits. In DAR mode, when a message transmission has failed either because the transmission was disturbed or because it has not started, it is necessary to request the message transmission again.

For details on DAR mode and message control registers, refer to user manual UM0409.

## 24.1.3 Disabling the transmission requests (C-CAN module)

### Description

If the host disables the pending transmission request of the lowest-priority message (number 32 by default) in the short time window during which the message handler state machine prepares the transmission, but before the transmission has actually started, then this transmission request may remain disabled. It remains in this state even if the host immediately re-enables it.

The status of the message object transmission request bit does not show that the transmission is disabled. This only happens when the message object is the only one with a pending transmission request.

If the transmission request is blocked in the disabled state, it will be re-enabled by the first activity detected on the CAN bus or by setting the transmission request of any other message object.

The other message objects are not affected by this phenomenon.

### Workaround

It is usually not necessary to disable the transmission request of a message object. If the message object is to be used for another message, it is sufficient to prepare the new content corresponding to this message in the CPU interface register (Identifier, DLC, Data, with TxRqst and NewDat [optionally TxIE] bits) and to transfer it into the message object. The new content is then transmitted at the next opportunity, and is not altered by a possibly ongoing transmission of the previous content of the same message object.

### 24.1.4 Spurious $\overline{\text{BREQ}}$ pulse in slave mode during external bus arbitration phase

#### Description

Sporadic bus errors may occur when the device operates as a slave and the  $\overline{\text{HOLD}}$  signal is used for external bus arbitration.

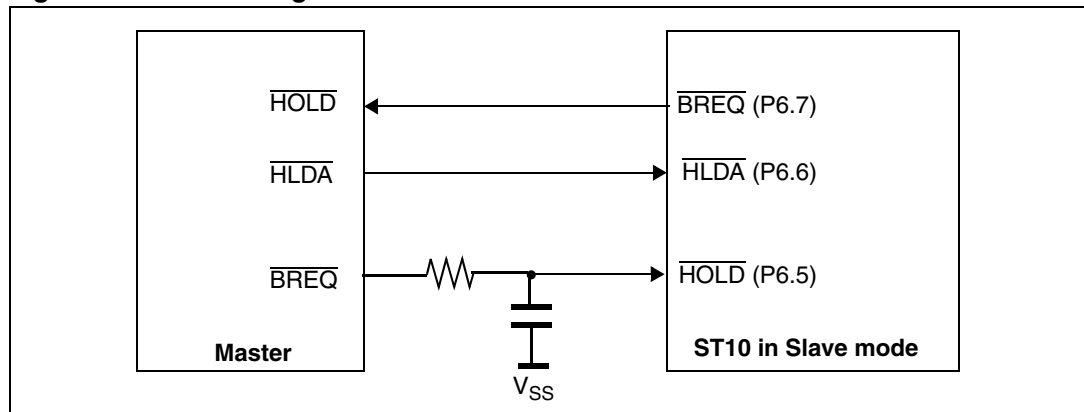
After the slave has been granted the bus, it deactivates sporadically  $\overline{\text{BREQ}}$  signal for a short time, even though its access to the bus has not been completed. The master then starts accessing the bus, thus causing a bus conflict between master and slave.

#### Workaround

To avoid producing any spurious  $\overline{\text{BREQ}}$  pulse during slave external bus arbitrations, it is necessary to ensure that the time between the  $\overline{\text{HLDA}}$  assertion (Bus Acknowledge from Master device) and the following  $\overline{\text{HOLD}}$  falling edge (Bus Request from Master) is longer than three clock cycles.

This can be achieved by delaying the  $\overline{\text{HOLD}}$  signal with an RC circuit (see [Figure 72](#)).

**Figure 72. Connecting an ST10 in slave mode**



### 24.1.5 Executing PWRDN instructions

#### Description

The Power-down mode is not entered and the PWRDN instruction is ignored in the following cases:

- The PWRDN instruction is executed while  $\overline{\text{NMI}}$  is high (PWDCFG bit of the SYSCON register cleared)
- The PWRDN instruction is executed while at least one of the Port 2 pins used to exit from Power-down mode (PWDCFG bit of the SYSCON register is set) is at the active level.



However, in certain cases, the PWRDN instruction is not ignored, no further instructions are fetched from external memory, and the CPU is in a quasi-idle state. This problem only occurs in the following situations:

1. The instructions following the PWRDN instruction are located in an external memory and a multiplexed bus configuration with memory tri-state waitstate (bit MTTCx = 0) is used.
2. The instruction preceding the PWRDN instruction writes to the external memory or to an XPeripheral (such as XRAM or CAN) and the instructions following the PWRDN instruction are located in external memory area. In this case, the problem occurs for all bus configurations.

*Note: The on-chip peripherals, such as the watchdog timer, still operate properly. If the watchdog timer is not disabled, it resets the device upon an overflow event. However, interrupts and PEC transfers cannot be processed. Power-down mode is entered if the NMI signal is asserted low while the device is in this quasi-idle state.*

No problem occurs and the device normally enters Power-down mode if the  $\overline{\text{NMI}}$  pin is held low (PWDCFG = 0) or if all Port 2 pins used to exit from Power-down mode are at inactive level (PWDCFG = 1).

### Workaround

To prevent this problem from occurring, the PWRDN instruction must be preceded by instructions performing write operations to external memory area or to an XPeripheral. Otherwise, it is recommended to insert a NOP instruction before PWRDN.

When using a multiplexed bus with memory tri-state wait state, the PWRDN instruction must be executed from internal RAM or XRAM.

## 24.1.6 Behavior of CAPCOM outputs in COMPARE mode 3

### Description

When a CAPCOM channel is configured in compare mode 3, then the related output level switches to high when the allocated timer, Tx, matches the related CAPCOM register, CCy. When an overflow occurs on the CAPCOM timer Tx, it is reloaded with TxREL content and the output pin is cleared. The output pin level does not change if TxREL and CCy have the same value.

The related CAPCOM output stays low when the CAPCOM channel is configured in compare mode 3 and TxREL and Tx related timer registers are loaded with the same value as CCy. This is obtained by executing the following instructions:

```
MOV TxREL, #CCy value x =0,1,7,8
MOV Tx, #CCy value x = 0,1,7,8
MOV TxxCON, #data or bfl dl/bfl dh TxxCON , #mask, #data i.e. an
access is made to the T01CON or T78CON register.
```

### Workarounds

The following workarounds make the CAPCOM output toggle as expected:

1) Invert the TxREL and Tx configuration as follow:

```
MOV Tx, #CCy value
MOV TxREL, #CCy value
bflldl/bfldh TxxCON , #mask, #data or MOV TxxCON, #data
```

2) Insert a NOP instruction before the T01CON or T78CON configuration:

```
MOV Tx, #value
MOV TxREL, #value
NOP
bflldl/bfldh TxxCON , #mask, #data or MOV TxxCON, #data
```

3) Load the Tx timer with the CCy register minus 1:

```
MOV TxREL, #value
MOV Tx, #( value-1)
bflldl/bfldh TxxCON , #mask, #data or MOV TxxCON, #data
```

## 24.2 Electrical limitations

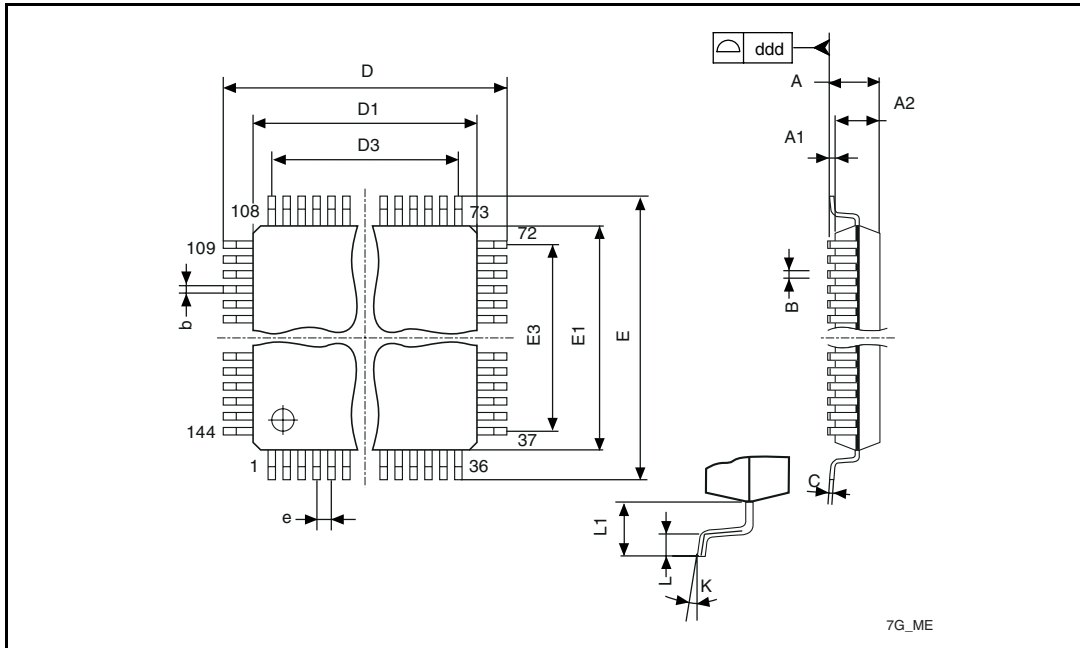
The PLL lock-time,  $T_{LOCK}$ , for x10 multiplication factor is 300  $\mu$ s instead of 250  $\mu$ s (see [Table 99](#)).

## 25 Package information

In order to meet environmental requirements, ST offers these devices in ECOPACK® packages. These packages have a Lead-free second level interconnect. The category of second Level Interconnect is marked on the package and on the inner box label, in compliance with JEDEC standard JESD97. The maximum ratings related to soldering conditions are also marked on the inner box label.

ECOPACK is an ST trademark. ECOPACK specifications are available at: [www.st.com](http://www.st.com).

**Figure 73. PQFP144 - 144-pin plastic Quad Flatpack 28 x 28 mm, 0.65 mm pitch, package outline**



**Table 112. PQFP144 - 144-pin Plastic Quad Flatpack 28 x 28 mm, 0.65 mm pitch, package mechanical data**

Symbol	millimeters			inches <sup>(1)</sup>		
	Typ	Min	Max	Typ	Min	Max
A			4.070			0.1602
A1		0.250			0.0098	
A2	3.420	3.170	3.670	0.1346	0.1248	0.1445
b		0.220	0.380		0.0087	0.0150
C		0.130	0.230		0.0051	0.0091
D	31.200	30.950	31.450	1.2283	1.2185	1.2382
D1	28.000	27.900	28.100	1.1024	1.0984	1.1063
D3	22.750			0.8957		
e	0.650			0.0256		
E	31.200	30.950	31.450	1.2283	1.2185	1.2382
E1	28.000	27.900	28.100	1.1024	1.0984	1.1063
E3	22.750			0.8957		
L	0.800	0.650	0.950	0.0315	0.0256	0.0374
L1	1.600			0.0630		
K		0°	7°		0°	7°
ddd	0.101	0.0040				

1. Values in inches are converted from mm and rounded up to 4 decimal places.

Figure 74. LQFP144 - 144 pin low profile quad flat package 20x20 mm, 0.5 mm pitch, package outline

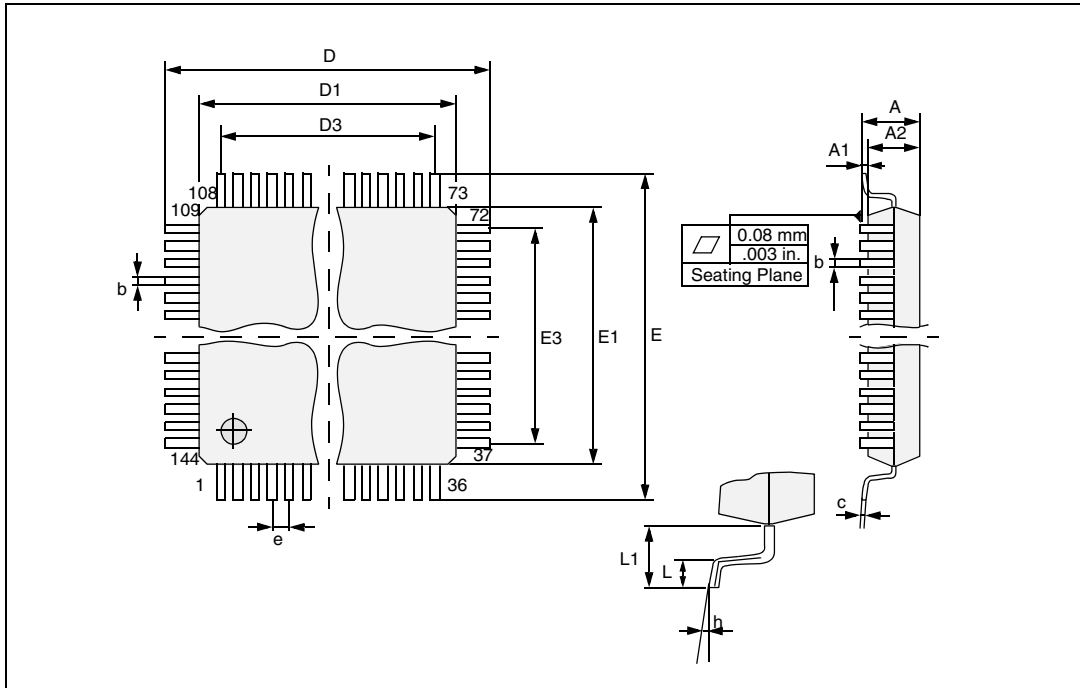


Table 113. LQFP144 - 144 pin low profile quad flat package 20x20mm, 0.5 mm pitch, package mechanical data

Dim.	mm			inches <sup>(1)</sup>		
	Min	Typ	Max	Min	Typ	Max
A			1.60			0.063
A1	0.05		0.15	0.002		0.006
A2	1.35	1.40	1.45	0.053		0.057
b	0.17	0.22	0.27	0.007		0.011
c	0.09		0.20	0.004		0.008
D	21.80	22.00	22.20	0.858	0.867	0.874
D1	19.80	20.00	20.20	0.780	0.787	0.795
D3		17.50			0.689	
E	21.80	22.00	22.20	0.858	0.867	0.874
E1	19.80	20.00	20.20	0.780	0.787	0.795
E3		17.50			0.689	
e		0.50			0.020	
K	0°	3.5°	7°	0°	3.5°	7°
L	0.45	0.60	0.75	0.018	0.024	0.030
L1		1.00			0.039	

1. Values in inches are converted from mm and rounded up to 4 decimal places.

## 26 Revision history

Table 114. Document revision history

Date	Revision	Changes
02-June-2006	1	Initial release.
03-Dec-2007	2	Replaced ST10F276 by root part number ST10F276Z5 in datasheet header, <a href="#">Table 1: Device summary</a> and <a href="#">Section 1: Description</a> . Added $F_B$ deviation equation in <a href="#">Section 5.3.5: Choosing the baud rate for the BSL via UART</a> . Replaced ST10F273E by ST10F276Z5 in <a href="#">Section 13: A/D converter</a> and <a href="#">Section 20.3: Standby mode</a> . Updated first example in <a href="#">Section 23.8.8: Voltage controlled oscillator</a> . Added <a href="#">Section 24: Known limitations</a> . Added ECOPACK text in <a href="#">Section 25: Package information</a> .

**Please Read Carefully:**

Information in this document is provided solely in connection with ST products. STMicroelectronics NV and its subsidiaries ("ST") reserve the right to make changes, corrections, modifications or improvements, to this document, and the products and services described herein at any time, without notice.

All ST products are sold pursuant to ST's terms and conditions of sale.

Purchasers are solely responsible for the choice, selection and use of the ST products and services described herein, and ST assumes no liability whatsoever relating to the choice, selection or use of the ST products and services described herein.

No license, express or implied, by estoppel or otherwise, to any intellectual property rights is granted under this document. If any part of this document refers to any third party products or services it shall not be deemed a license grant by ST for the use of such third party products or services, or any intellectual property contained therein or considered as a warranty covering the use in any manner whatsoever of such third party products or services or any intellectual property contained therein.

**UNLESS OTHERWISE SET FORTH IN ST'S TERMS AND CONDITIONS OF SALE ST DISCLAIMS ANY EXPRESS OR IMPLIED WARRANTY WITH RESPECT TO THE USE AND/OR SALE OF ST PRODUCTS INCLUDING WITHOUT LIMITATION IMPLIED WARRANTIES OF MERCHANTABILITY, FITNESS FOR A PARTICULAR PURPOSE (AND THEIR EQUIVALENTS UNDER THE LAWS OF ANY JURISDICTION), OR INFRINGEMENT OF ANY PATENT, COPYRIGHT OR OTHER INTELLECTUAL PROPERTY RIGHT.**

**UNLESS EXPRESSLY APPROVED IN WRITING BY AN AUTHORIZED ST REPRESENTATIVE, ST PRODUCTS ARE NOT RECOMMENDED, AUTHORIZED OR WARRANTED FOR USE IN MILITARY, AIR CRAFT, SPACE, LIFE SAVING, OR LIFE SUSTAINING APPLICATIONS, NOR IN PRODUCTS OR SYSTEMS WHERE FAILURE OR MALFUNCTION MAY RESULT IN PERSONAL INJURY, DEATH, OR SEVERE PROPERTY OR ENVIRONMENTAL DAMAGE. ST PRODUCTS WHICH ARE NOT SPECIFIED AS "AUTOMOTIVE GRADE" MAY ONLY BE USED IN AUTOMOTIVE APPLICATIONS AT USER'S OWN RISK.**

Resale of ST products with provisions different from the statements and/or technical features set forth in this document shall immediately void any warranty granted by ST for the ST product or service described herein and shall not create or extend in any manner whatsoever, any liability of ST.

ST and the ST logo are trademarks or registered trademarks of ST in various countries.

Information in this document supersedes and replaces all information previously supplied.

The ST logo is a registered trademark of STMicroelectronics. All other names are the property of their respective owners.

© 2007 STMicroelectronics - All rights reserved

STMicroelectronics group of companies

Australia - Belgium - Brazil - Canada - China - Czech Republic - Finland - France - Germany - Hong Kong - India - Israel - Italy - Japan - Malaysia - Malta - Morocco - Singapore - Spain - Sweden - Switzerland - United Kingdom - United States of America

[www.st.com](http://www.st.com)