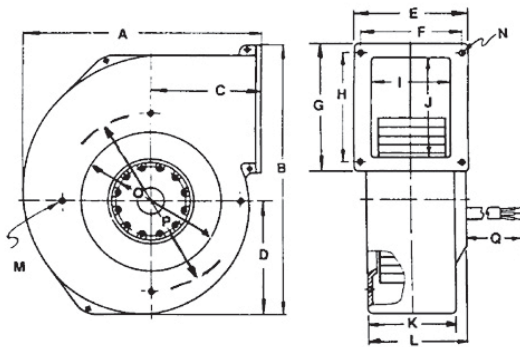


# RG22P Series Centrifugal Blower

Ø 220mm

- AC single inlet, forward curved centrifugal blower in standard housing. The integrated external-rotor motor is mounted inside the housing.
- Housing and impeller made of galvanized sheet-steel. Forward curved impellers are directly press-fitted onto the rotor of the external-rotor motor.
- Direction of rotation is CW as seen from inlet side. Insulation class "F".
- Maintenance-free ball bearings.
- UL, CSA, VDE approvals on some models, please contact application engineering.

Part Number	Curve	CFM @ 0	VAC	Hertz	Power (W)	dBA	Max Amb. Temp. C	Bearing Type	Features	Capacitor (µF)	Wgt. (lbs)
RG22P-4/106480	2	820	115	60	490	86	40	Ball	Leads	25	30.0
RG22P-4/121191	2	820	230	60	490	86	40	Ball	Leads	6	30.0



DIMENSIONS - inches (mm)

PART NUMBER	A	B	C	D	E	F	G	H
RG22P	14.96 (380)	18.62 (473)	7.09 (180)	7.76 (197)	7.87 (200)	6.93 (176)	13.70 (348)	12.44 (316)
	I	J	K	L	M	N	Q	
	5.67 (144)	11.14 (283)	5.67 (144)	9.49 (241)	M12	.39 (10)	17.72 (450)	

