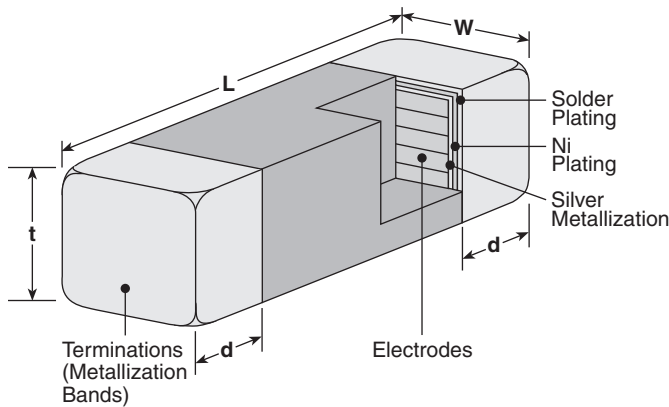


features

- Designed to reduce noise at high frequencies
- Standard EIA packages: 1J, 2A, 2B
- Nickel barrier with solder overcoat for excellent solderability
- Magnetically shielded
- Marking: Black body color with no marking
- Products with lead-free terminations meet EU RoHS requirements

dimensions and construction



Type (Inch Size Code)	Dimensions inches (mm)			
	L	W	t	d
1J (0603)	.063±.006 (1.6±0.15)	.031±.006 (0.8±0.15)	.031±.006 (0.8±0.15)	.014±.006 (0.36±0.15)
2A (0805)	.079±.008 (2.0±0.2)	.047±.008 (1.20±0.2)	.035±.008 (0.9±0.2)	.02±.012 (0.51±0.30)
2B (1206)	.126±.008 (3.2±0.2)	.063±.008 (1.6±0.2)	.043±.008 (1.1±0.2)	.02±.012 (0.51±0.30)

ordering information

New Part #	CZP	2A	F	T	TD	500	P
	Type	Size	Permeability Code	Termination Material	Packaging	Impedance	Tolerance
		1J 2A 2B	F P	T: Sn	TD: 7" paper tape (1J, 2A - 4,000 pieces/reel) TE: 7" embossed plastic (2B - 3,000 pieces/reel)	2 significant figures + 1 multiplier	P: ±25%

For further information on packaging, please refer to Appendix A.

applications and ratings

Part Designation	Impedance @ 100MHz (Ω)	DC Resistance Maximum (Ω)	Allowable DC Current Maximum (mA)	Operating Temperature Range	
CZP1JFTTD300P	30	0.03	3000	-55°C to +125°C	
CZP1JFTTD400P	40	0.04			
CZP1JFTTD600P	60				
CZP1JFTTD800P	80				
CZP1JFTTD121P	120	0.10	2000		
CZP1JFTTD181P	180				
CZP1JFTTD221P	220	0.10	2000		
CZP1JFTTD301P	300				
CZP1JFTTD501P	500				
CZP1JFTTD601P	600				
CZP2AFTTD300P	30	0.015	3000		-55°C to +125°C
CZP2AFTTD400P	40	0.03	2000		
CZP2AFTTD450P	45				
CZP2AFTTD500P	50	0.04	3000		
CZP2AFTTD600P	60	0.025	2000		
CZP2AFTTD800P	80	0.04			
CZP2AFTTD121P	120	0.05	3000		
CZP2AFTTD151P	150				
CZP2AFTTD221P	220	0.15	2000		
CZP2AFTTD301P	300				
CZP2AFTTD601P	600	0.20	1000		
CZP2AFTTD102P	1000				
CZP2BFTTE190P	19	0.02	3000	-55°C to +125°C	
CZP2BFTTE300P	30				
CZP2BFTTE500P	50	0.025	2000		
CZP2BFTTE800P	80	0.03			
CZP2BFTTE900P	90	0.10	1000		
CZP2BFTTE101P	100				
CZP2BFTTE121P	120	0.08	2000		
CZP2BFTTE221P	220				
CZP2BPTTE700P	70	0.20	3000		
CZP2BFTTE601P	600				
CZP2BPTTE101P	100	0.03	3000		
CZP2BPTTE121P	120	0.04			
CZP2BPTTE601P	600	0.10	1500		

For complete environmental specifications, please refer to pages 256-257.