

**PLEASE CHECK WWW.MOLEX.COM FOR LATEST PART INFORMATION**

**Part Number:** **0684261100**  
**Status:** **Active**  
**Description:** 2.50mm (.098") Pitch Wire-to-Board Housing, Positive Lock, with TPA™, 11 Circuits

**Documents:**

[Drawing \(PDF\)](#) [RoHS Certificate of Compliance \(PDF\)](#)  
[Product Specification PS-68426-001 \(PDF\)](#)

**General**

Product Family	Crimp Housings
Series	<u>68426</u>
Product Name	N/A

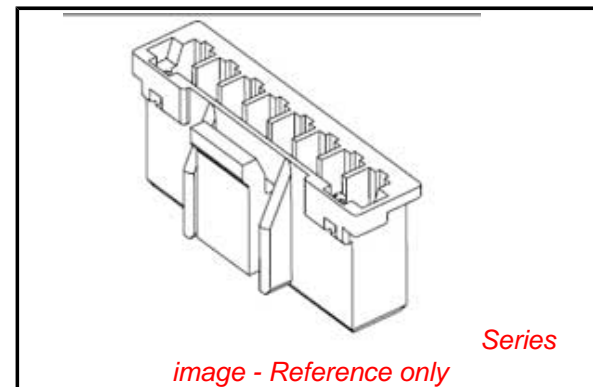
**Physical**

Circuits (maximum)	11
Gender	Female
Glow-Wire Compliant	No
Lock to Mating Part	Yes
Number of Rows	1
Packaging Type	Bag
Panel Mount	No
Pitch - Mating Interface (in)	0.098 In
Pitch - Mating Interface (mm)	2.50 mm
Polarized to Mating Part	Yes
Stackable	No
Temperature Range - Operating	-40°C to +105°C

**Material Info**

**Reference - Drawing Numbers**

Product Specification	PS-68426-001
Sales Drawing	SD-68426-001



**EU RoHS**

**ELV and RoHS  
Compliant**  
**REACH SVHC**  
 Not Reviewed  
**Halogen-Free  
Status**  
 Not Reviewed

**China RoHS**



**Need more information on product  
environmental compliance?**

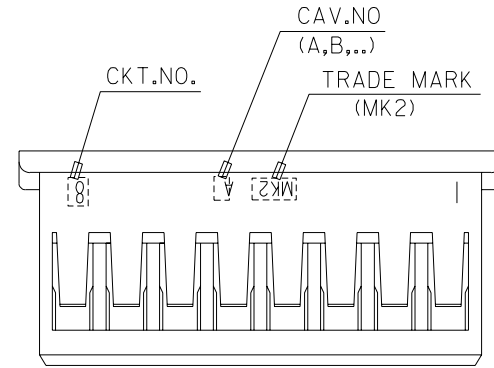
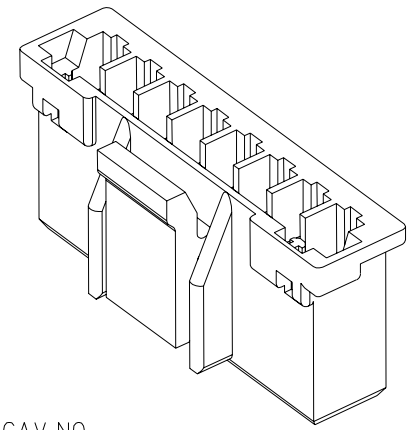
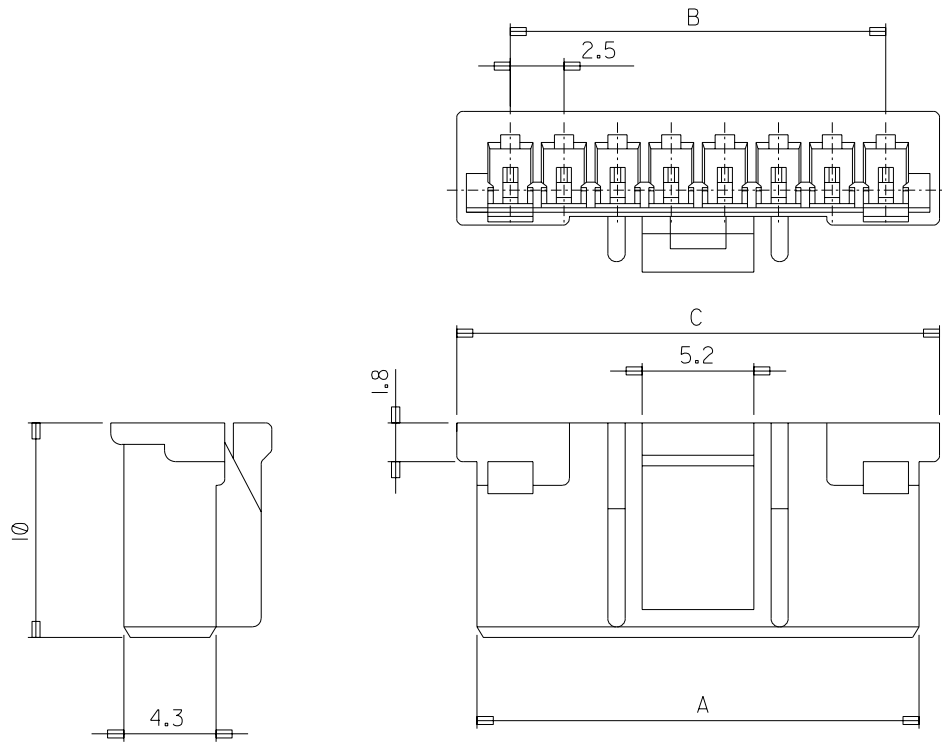
Email [productcompliance@molex.com](mailto:productcompliance@molex.com)  
 For a multiple part number RoHS Certificate of  
 Compliance, [click here](#)

Please visit the [Contact Us](#) section for any  
 non-product compliance questions.

**Search Parts in this Series**  
[68426Series](#)

**Mates With**  
[35312](#) , [68143](#)

**Use With**  
[57915-8001](#) , [68427](#)



NOTES

1. MATERIAL : POLYESTER, UL94V-0, WHITE(NATURAL) COLOR
2. APPLICABLE TERMINAL: 57915-8001
3. APPLICABLE TPA: 68427
4. MATED WITH 35312, 68143 HEADER ASS'Y

40.0	35.0	38.1	68426-1500
35.0	30.0	33.1	1300
32.5	27.5	30.6	1200
30.0	25.0	28.1	1100
27.5	22.5	25.6	1000
22.5	17.5	20.6	0800
12.5	7.5	10.6	68426-0400
C	B	A	ENG. NO.

NEW RELEASED  
 KOR2003-0232  
 W.Y.YANG 03/03/20  
 W.Y.YANG  
 C.W.LEE

0

0

25  
 25

4:1 ×

W.Y.YANG 03/01/20

W.Y.YANG 03/01/20

C.W.LEE 03/01/20

2.5 W/B CONN.(TPA) HOUSING