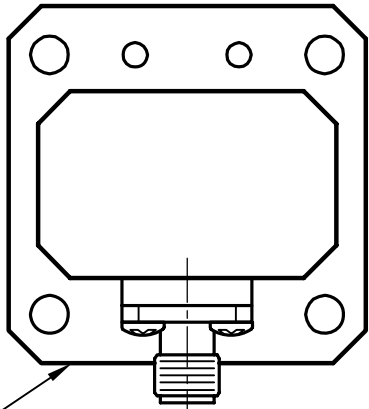


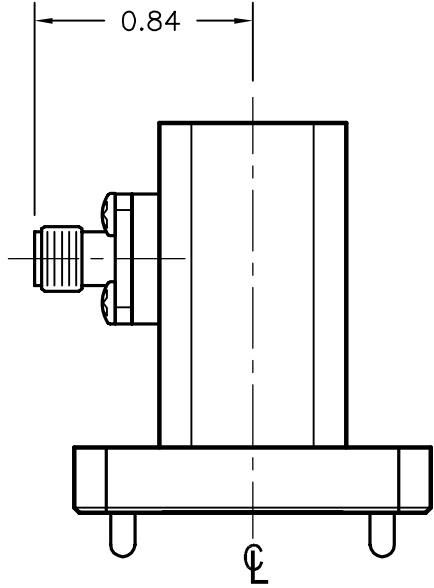
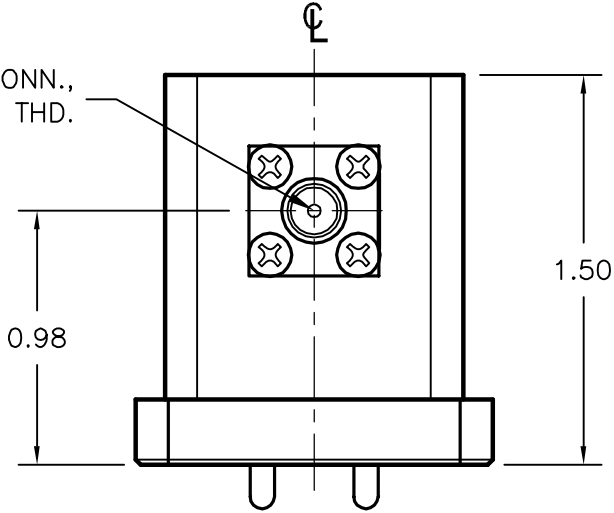
REV -	AUTH RL	DATE 06/24/04	INITIAL RELEASE
REV A	AUTH DRH	DATE 07/01/05	FORMAT UPDATE
REV B	AUTH RL	DATE 09/13/06	FORMAT UPDATE, NOTES REVISED.



FLANGE PER ORDER,
SEE TABLE

*FLANGE TYPES		
C1	COVER	ALT. THRU/TAPPED
C2	COVER	ALL TAPPED
C3	COVER	ALL THROUGH
G1	GROOVE	ALT. THRU/TAPPED
G2	GROOVE	ALL TAPPED
G3	GROOVE	ALL THROUGH

SMA-F CONN.,
1/4-36 UNS-2A THD.



PERFORMANCE SPECIFICATIONS

MODEL NUMBER: 580-251-FLANGE TYPE*
 WG SIZE: WRD580
 FREQ: 5.8 - 16.0 GHz
 MAX. VSWR: 1.25
 FLANGE TYPE: SEE TABLE
 FINISH: UNIQUE CORROSION RESISTANT
 316 STAINLESS STEEL EPOXY

THIRD ANGLE PROJECTION:		APPROVALS	DATE	ADVANCED TECHNICAL MATERIALS, INC. TEL: (631) 289-0363 FAX: (631) 289-0358 www.atmmicrowave.com	<small>THE INFORMATION IN THIS DRAWING IS PROPRIETARY AND SHALL NOT BE USED OR DISCLOSED WITHOUT THE PRIOR WRITTEN CONSENT OF ATM, INC. DO NOT SCALE DWG.</small>
UNLESS OTHERWISE NOTED, DIMENSIONS ARE IN INCHES, TOLERANCES ARE: FRACTIONS: ±1/64 ANGLES: ±1/2°		DRAWN RL	09/13/06		
BASIC DIMENSION	DECIMALS 2 PLACE 3 PLACE	CHKD.	APRVD.	OUTLINE, WRD580 SMA - WAVEGUIDE ADAPTER	
UNDER 6"	±.02 ±.005	MATERIAL ALUM.			
6" - 12"	±.03 ±.010	TREATMENT IRIDITE			
OVER 12"	±.06 ±.015	FINISH SEE NOTES		SIZE A CAGE CODE 0R8N4 ATM DWG # 2163W REVISION B SCALE NONE MODEL # 580-251-XX SHEET 1/1	