

**PLEASE CHECK WWW.MOLEX.COM FOR LATEST PART INFORMATION**

**Part Number:** [0366170002](#)  
**Status:** **Active**  
**Overview:** [din\\_41612](#)  
**Description:** 2.54mm (.100") Pitch DIN 41612 Receptacle, Right Angle, Press Fit, 128 Circuits, Lead Free

**Documents:**

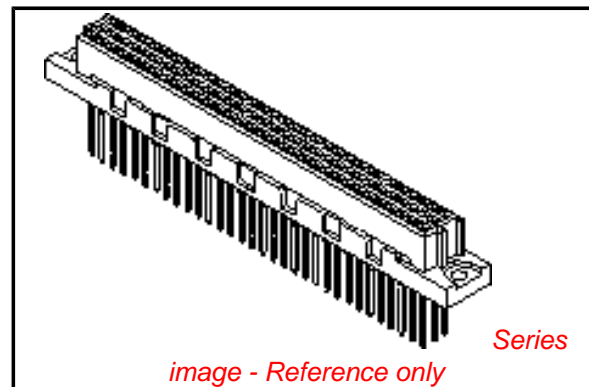
[Drawing \(PDF\)](#) [RoHS Certificate of Compliance \(PDF\)](#)  
[Product Specification PS-36582-001 \(PDF\)](#)

**General**

Product Family	Backplane Connectors
Series	<a href="#">36617</a>
Application	Backplane
Comments	"R" at style represents Right Angle Female DIN Connector
Component Type	PCB Receptacle
Overview	<a href="#">din_41612</a>
Product Name	IEC 603-2/DIN 41612
Style	R

**Physical**

Circuits (Loaded)	128
Circuits (maximum)	128
Circuits Detail	Rows A,B,C & D
Durability (mating cycles max)	400
First Mate / Last Break	No
Guide to Mating Part	No
Keying to Mating Part	Yes
Material - Metal	Phosphor Bronze
Material - Plating Mating	Gold
Material - Plating Termination	Tin
Number of Columns	32
Number of Pairs	Open Pin Field
Number of Rows	4
Orientation	Right Angle
PC Tail Length (in)	0.118 In
PC Tail Length (mm)	3.00 mm
PCB Locator	No
PCB Retention	Yes
PCB Thickness Recommended (in)	0.062 In
PCB Thickness Recommended (mm)	1.60 mm
Packaging Type	Bag
Pitch - Mating Interface (in)	0.100 In
Pitch - Mating Interface (mm)	2.54 mm
Pitch - Term. Interface (in)	0.100 In
Pitch - Term. Interface (mm)	2.54 mm
Plating min: Mating (µin)	30
Plating min: Mating (µm)	0.75
Plating min: Termination (µin)	100
Plating min: Termination (µm)	2.5
Polarized to PCB	No
Stackable	Yes
Temperature Range - Operating	-55°C to +125°C
Termination Interface: Style	Through Hole - Compliant Pin



*image - Reference only*

**EU RoHS**

**ELV and RoHS Compliant**  
**REACH SVHC**  
 Not Reviewed  
**Halogen-Free Status**  
**Not Reviewed**

**China RoHS**



**Need more information on product environmental compliance?**

Email [productcompliance@molex.com](mailto:productcompliance@molex.com)  
 For a multiple part number RoHS Certificate of Compliance, [click here](#)

Please visit the [Contact Us](#) section for any non-product compliance questions.

**Search Parts in this Series**

[36617Series](#)

**Mates With**

[85015 DIN 41612 Header](#)

**Electrical**

Current - Maximum per Contact	1A
Data Rate	622.0 Mbps
Voltage - Maximum	250V AC (RMS)

**Solder Process Data**

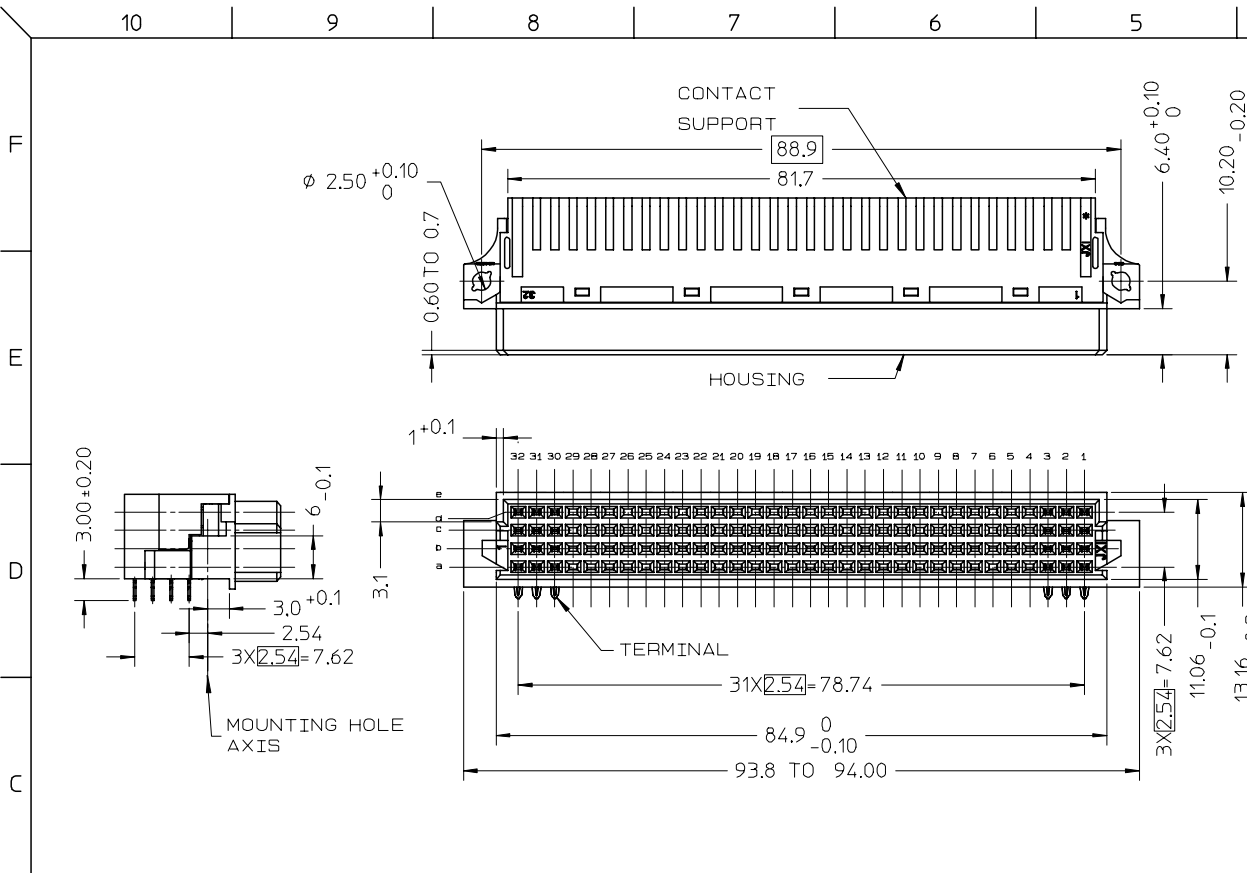
Lead-free Process Capability	Wave Capable (TH only)
------------------------------	------------------------

**Material Info****Reference - Drawing Numbers**

Packaging Specification	PK-36617-001
Product Specification	PS-36582-001
Sales Drawing	SD-36617-001

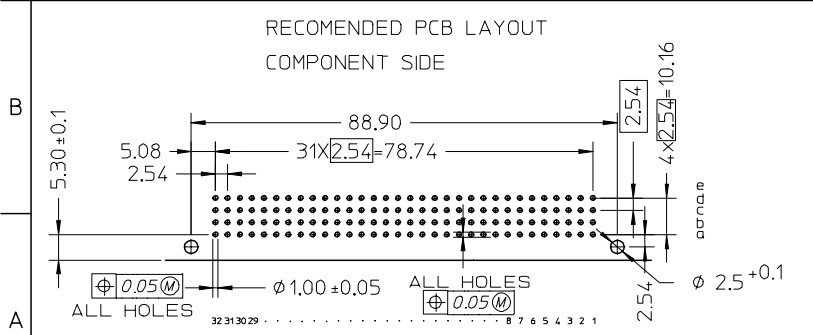
This document was generated on 05/13/2010

**PLEASE CHECK [WWW.MOLEX.COM](http://WWW.MOLEX.COM) FOR LATEST PART INFORMATION**



NOTES :

- MATERIALS:  
HOUSING AND CONTACT SUPPORT- THERMOPLASTIC POLYESTER, GLASS FILLED, UL94V-0.  
COLOUR: BLACK.  
TERMINAL - PHOSPHOR BRONZE.
- FINISH: TERMINAL:-  
CONTACT AREA  
2.1 PERFORMANCE LEVEL 1: SELECTIVE GOLD (Au), THICKNESS = 1.25 MICROMETER  
OVER NICKEL, THICKNESS = 1.25 MICROMETER  
2.2 PERFORMANCE LEVEL 2: SELECTIVE GOLD (Au), THICKNESS = 0.75 MICROMETER  
OVER NICKEL, THICKNESS = 1.25 MICROMETER  
2.3. PERFORMANCE LEVEL 3: SELECTIVE GOLD (Au), THICKNESS = 0.38 MICROMETER  
OVER NICKEL, THICKNESS = 1.25 MICROMETER
- TERMINATION AREA(PRESS IN AREA) : SELECTIVE MATTE TIN, THICKNESS = 2.5 MICROMETER OVER NICKEL, THICKNESS = 1.25 MICROMETER OVERALL
- CONNECTOR TO BE SECURED WITH RIVETS : 2 TUBULATR RIVETS 2.5X0.3... DIN 7340  
SCREWS : 2 CHEESE HEADED SCREWS M2.5X... DIN 84 AND 2 HEX NUTS
- CUT FACES OF TIP WITHOUT PLATING PERMITTED
- "MOLEX", MATERIAL NUMBER, BATCH CODE. SHALL BE PRINTED ON THE CONNECTOR.
- PRODUCT SPECIFICATION : PS-36582-001
- THE CONNECTOR INSTALLATION DOES NOT REQUIRE CUSTOM TOOLING. INDUSTRY STANDARD "FLATROCK" PRESS TOOLING MAY BE USED



366170003	36617-0003	3
366170002	36617-0002	2
366170001	36617-0001	1
MATERIAL NUMBER	ENGINEERING NUMBER	PERFORMANCE LEVEL

EC NO: 12005-0447 DRWN:SSUDHIR 2005/03/01 CHKD:KPRASAD 2005/04/13 APPR:KPRASAD 2005/06/07	QUALITY SYMBOLS ▽ = 0 ▽ = 0	GENERAL TOLERANCES (UNLESS SPECIFIED) mm INCH 4 PLACES ± --- ± --- 3 PLACES ± --- ± --- 2 PLACES ± 0.1 ± --- 1 PLACE ± 0.15 ± --- ANGULAR ± 1 °	SCALE 1:1	DESIGN UNITS METRIC	THIRD ANGLE PROJECTION	REVISE ON CAD ONLY
			DIMENSION STYLE MM ONLY	TITLE BTB;CIRCUIT=128;P=0.1 THRU;R/A;DIN41612;FML		
A1	DESCRIPTION	DRAFT WHERE APPLICABLE MUST REMAIN WITHIN DIMENSIONS	DRAWN BY DATHA	DATE 2004/02/12	MATERIAL NO. SEE TABLE	DOCUMENT NO. SD-36617-001
			CHECKED BY GJLOWE	DATE 2004/02/12		
			APPROVED BY GJLOWE DATE 2004/02/12			
THIS DRAWING CONTAINS INFORMATION THAT IS PROPRIETARY TO MOLEX INCORPORATED AND SHOULD NOT BE USED WITHOUT WRITTEN PERMISSION						