

**PLEASE CHECK WWW.MOLEX.COM FOR LATEST PART INFORMATION**

**Part Number:** [0533531871](#)  
**Status:** **Active**  
**Description:** 0.80mm (.031") Pitch Header, Surface Mount, Dual Row, Vertical Stacking, 7.00 and 8.00mm (.276 and .315") Stacking Heights, Lead-free, 18 Circuits

**Documents:**

[3D Model](#) [Product Specification PS-52588-032 \(PDF\)](#)  
[Drawing \(PDF\)](#) [RoHS Certificate of Compliance \(PDF\)](#)  
[Product Specification PS-52465-010 \(PDF\)](#)

**General**

Product Family PCB Headers  
 Series [53353](#)  
 Application Board-to-Board  
 Product Name N/A

**Physical**

Breakaway No  
 Circuits (Loaded) 18  
 Circuits (maximum) 18  
 Durability (mating cycles max) 30  
 Glow-Wire Compliant No  
 Lock to Mating Part None  
 Mated Height (in) 0.276 In, 0.315 In  
 Mated Height (mm) 7.00 mm, 8.00 mm  
 Material - Metal Phosphor Bronze  
 Material - Plating Mating Tin  
 Material - Plating Termination Tin  
 Number of Rows 2  
 Orientation Vertical  
 PCB Locator No  
 PCB Retention None  
 Packaging Type Embossed Tape on Reel  
 Pitch - Mating Interface (in) 0.031 In  
 Pitch - Mating Interface (mm) 0.80 mm  
 Polarized to PCB No  
 Stackable No  
 Temperature Range - Operating -20°C to +105°C  
 Termination Interface: Style Surface Mount

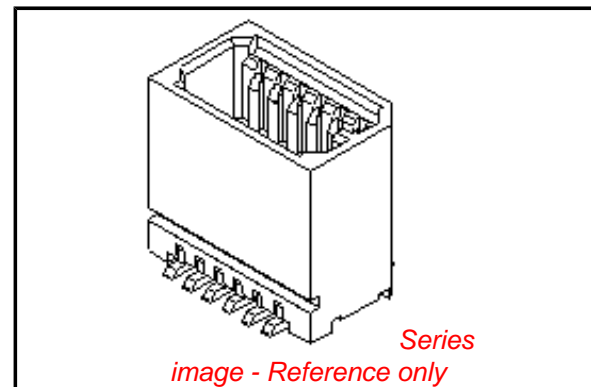
**Electrical**

Current - Maximum per Contact 0.5A  
 Voltage - Maximum 50V

**Material Info**

**Reference - Drawing Numbers**

Product Specification PS-52465-010, PS-52588-032, RPS-52465-042, RPS-52465-044  
 Sales Drawing SD-53353-003, SD-53353-004



**EU RoHS**

**ELV and RoHS  
Compliant**  
**REACH SVHC**  
 Not Reviewed  
**Halogen-Free  
Status**  
 Not Reviewed

**China RoHS**



**Need more information on product  
environmental compliance?**

Email [productcompliance@molex.com](mailto:productcompliance@molex.com)  
 For a multiple part number RoHS Certificate of Compliance, [click here](#)

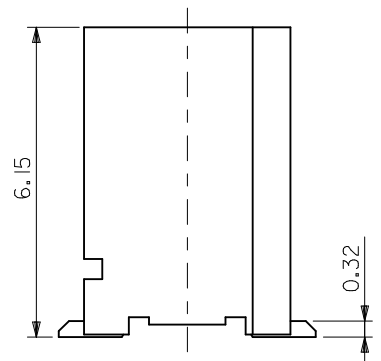
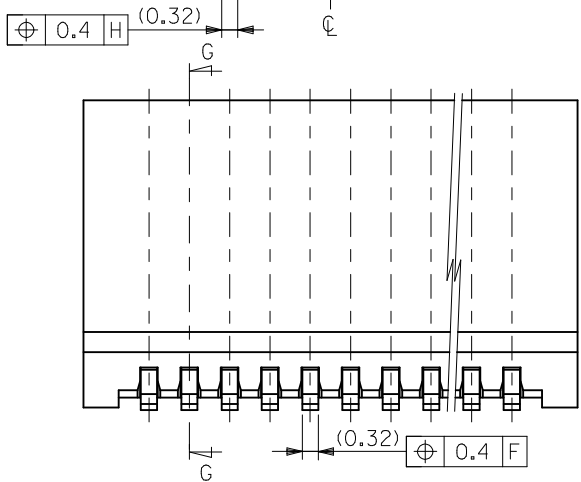
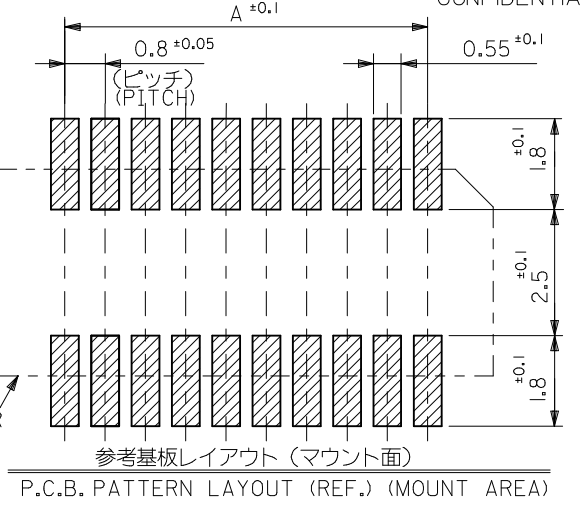
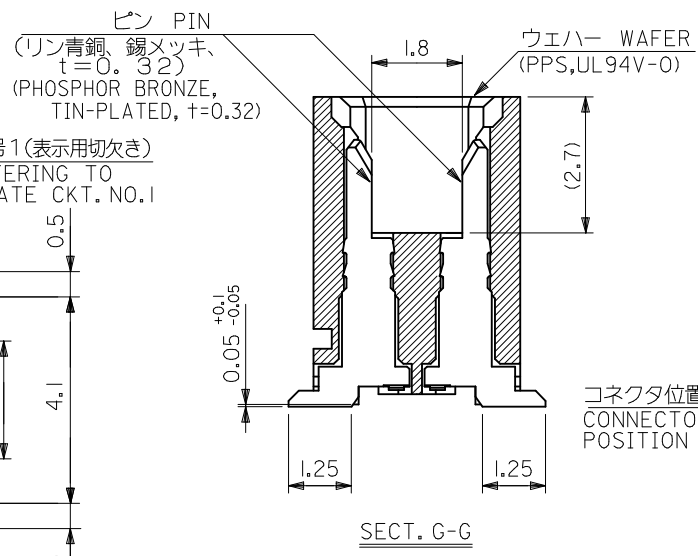
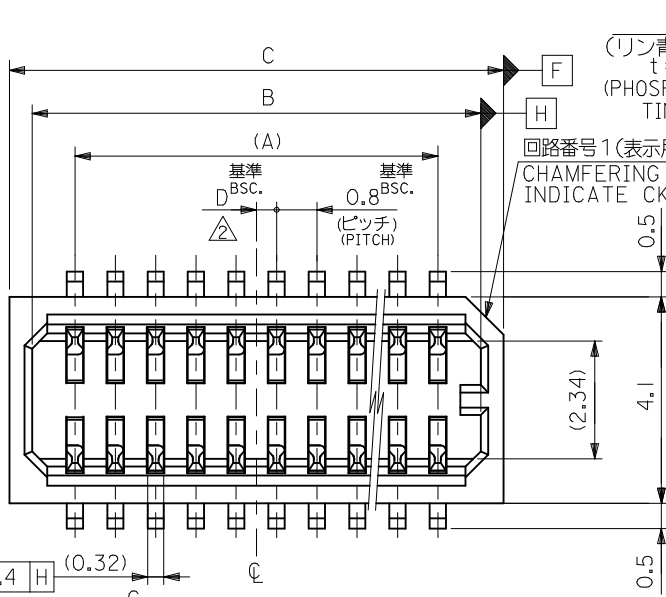
Please visit the [Contact Us](#) section for any non-product compliance questions.

**Search Parts in this Series**

[53353Series](#)

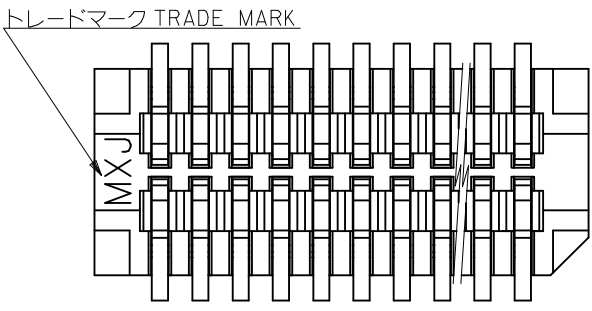
**Mates With**

[52465 PCB Receptacle](#), [52588 PCB Receptacle](#)



- 注記 NOTES
1. 嵌合相手: 52465, 52588 シリーズ  
 MATES WITH : 52465, 52588 SERIES
  2. ウエハーの  $\phi$  から隣接するピンの  $\phi$  迄の位置を示す。  
 SHOW POSITION FROM  $\phi$  OF WAFER TO  $\phi$  OF ADJACENT PINS.
  3. ELV 及び RoHS 適合品。  
 ELV AND ROHS COMPLIANT.
  4. テール平坦度: 0.1MAX.  
 COPLANARITY : 0.1MAXIMUM

0.4	17.8	16.9	15.2	---	53353-4071	40
0.4	16.2	15.3	13.6	---	53353-3671	36
0.8	13.8	12.9	11.2	53353-3029	53353-3071	30
0.4	13.0	12.1	10.4	---	53353-2871	28
0.8	10.6	9.7	8.0	---	53353-2271	22
0.4	9.8	8.9	7.2	---	53353-2071	20
0.8	9.0	8.1	6.4	---	53353-1871	18
0.4	8.2	7.3	5.6	---	53353-1671	16
0.8	7.4	6.5	4.8	---	53353-1471	14
0.4	6.6	5.7	4.0	---	53353-1271	12
0.8	5.8	4.9	3.2	---	53353-1071	10
D	C	B	A	TRAY PACKAGE	EMBOSSED PACKAGE	極数
				オーダー番号	ORDER NO.	CIRCUIT
				CONNECTOR SERIES No. : 53353-**29		

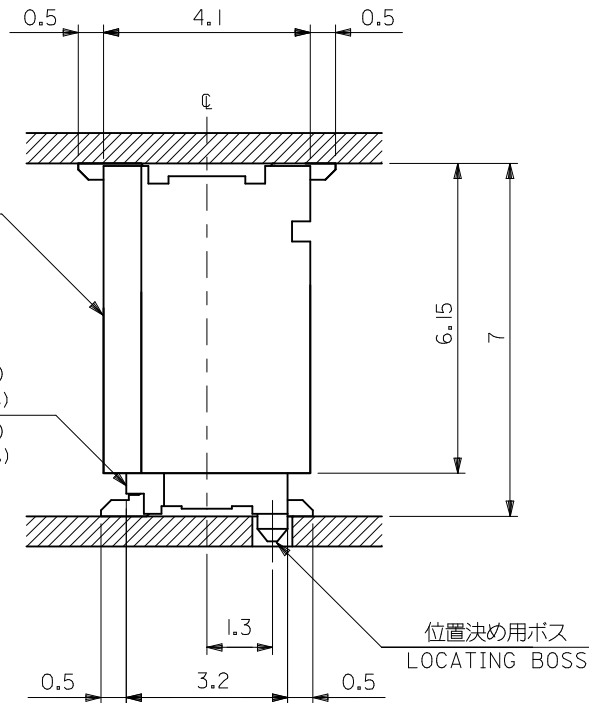


REVISED EC NO: J2010-0376 DRWN:TKAIHO 2009/09/25 CHKD:SMARUYAMA 2009/09/25 APPR:MSASAO 2009/09/25	DESCRIPTION REV	GENERAL TOLERANCES (UNLESS SPECIFIED)		DIMENSION STYLE MM ONLY		SCALE METRIC		DESIGN UNITS THIRD ANGLE PROJECTION	
		10 UNDER	± ---	DRAWN BY Y. WADA	DATE 2004/3/4	TITLE 0.8 B/B CONN. WAFER ASSY ST. SMT(WITHOUT BOSS)			
		10 OVER 30 UNDER	± ---	CHECKED BY M. SASAO	DATE 2004/3/4	MOLEX INCORPORATED			
		30 OVER	± ---	APPROVED BY M. SASAO	DATE 2004/3/4	DOCUMENT NO. SD-53353-003			
ANGULAR ± --- °		DRAFT WHERE APPLICABLE MUST REMAIN WITHIN DIMENSIONS		MATERIAL NO. SEE CHART		SHEET NO. 1 OF 2			
SIZE A3		THIS DRAWING CONTAINS INFORMATION THAT IS PROPRIETARY TO MOLEX INCORPORATED AND SHOULD NOT BE USED WITHOUT WRITTEN PERMISSION							

53353-\*\*\*29 (位置決め用ボス無)  
(WITHOUT LOCATING BOSS)

嵌合相手 MATES WITH  
52465-\*\*\*19 (位置決め用ボス付)  
(WITH LOCATING BOSS)

52465-\*\*\*29 (位置決め用ボス無)  
(WITHOUT LOCATING BOSS)

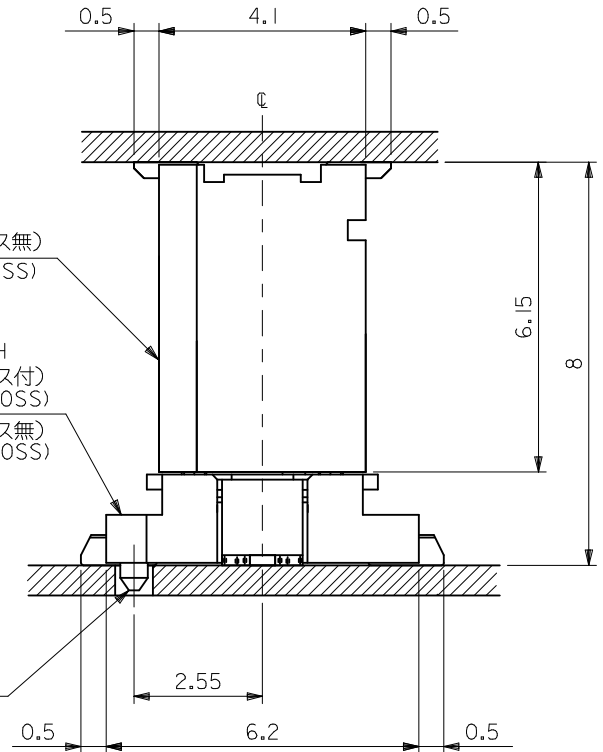


53353-\*\*\*29 (位置決め用ボス無)  
(WITHOUT LOCATING BOSS)

嵌合相手 MATES WITH  
52588-\*\*\*\* (位置決め用ボス付)  
(WITH LOCATING BOSS)

52588-\*\*\*\* (位置決め用ボス無)  
(WITHOUT LOCATING BOSS)

位置決め用ボス  
LOCATING BOSS



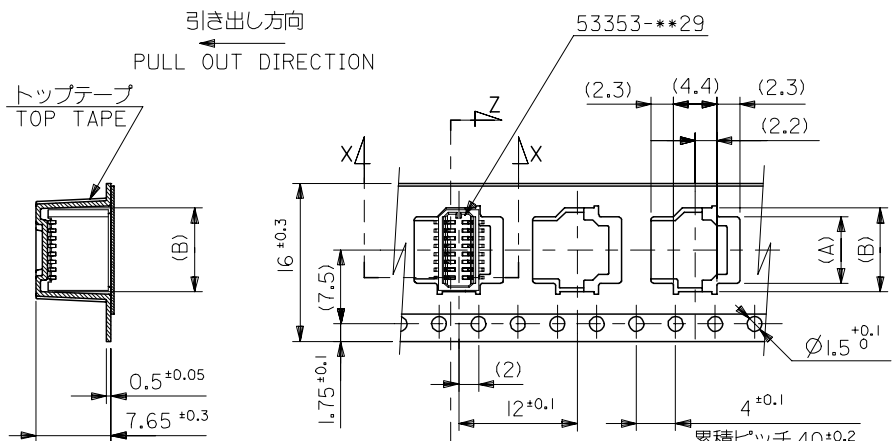
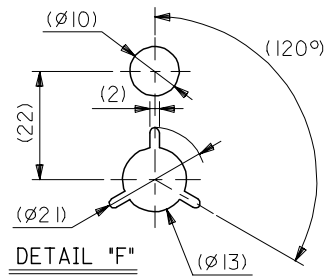
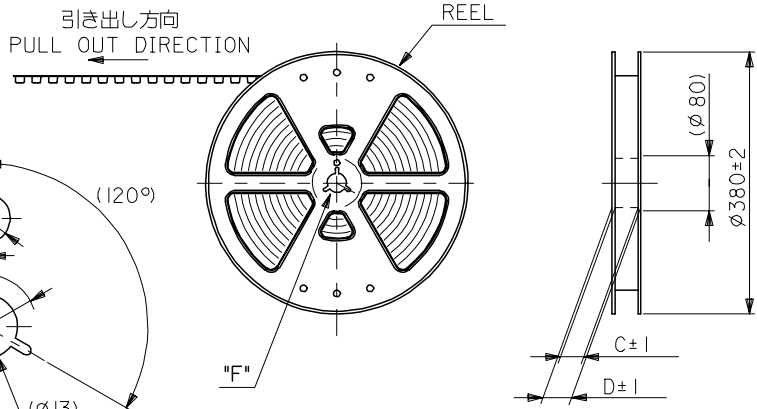
嵌合状態図 (参考)  
MATED DRAWING (REF.)

REVISED	EC NO: J2010-0376	2009/09/25
	DRWN:TKAIHO	2009/09/25
	CHKD:SMARUYAMA	2009/09/25
	APPR:MSASAO	2009/09/25
REV	DESCRIPTION	
A		

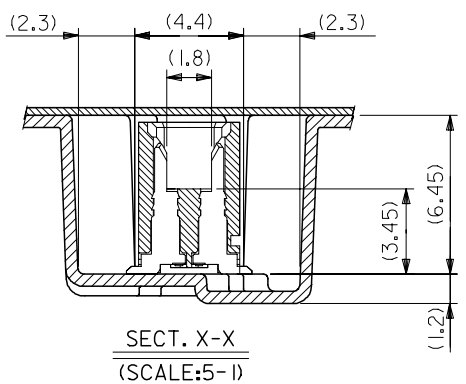
GENERAL TOLERANCES (UNLESS SPECIFIED)	
10 UNDER	± ---
10 OVER 30 UNDER	± ---
30 OVER	± ---
ANGULAR	± --- °
DRAFT WHERE APPLICABLE MUST REMAIN WITHIN DIMENSIONS	

DIMENSION STYLE MM ONLY	
DRAWN BY	DATE
Y. WADA	2004/3/4
CHECKED BY	DATE
M. SASAO	2004/3/4
APPROVED BY	DATE
M. SASAO	2004/3/4
MATERIAL NO.	
SEE CHART	
SIZE	
A3	

CONNECTOR SERIES No. : 53353-***29		
SCALE ---	DESIGN UNITS METRIC	THIRD ANGLE PROJECTION
TITLE 0.8 B/B CONN. WAFER ASSY ST. SMT(WITHOUT BOSS)		
molex MOLEX INCORPORATED		
DOCUMENT NO. SD-53353-003	SHEET NO. 2 OF 2	
THIS DRAWING CONTAINS INFORMATION THAT IS PROPRIETARY TO MOLEX INCORPORATED AND SHOULD NOT BE USED WITHOUT WRITTEN PERMISSION		



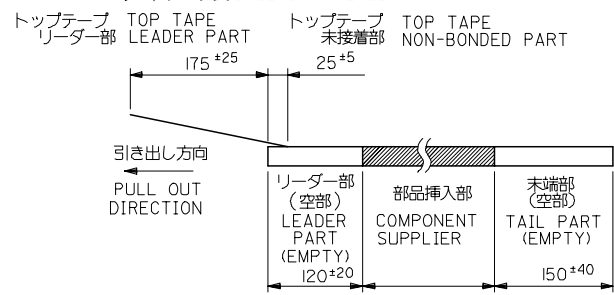
SECT. Z-Z



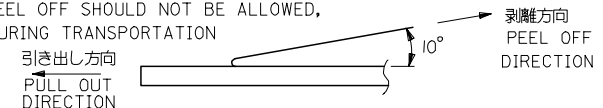
SECT. X-X  
(SCALE:5-1)

注記 NOTES

1. 梱包数量：1000個/リール NUMBER OF CONNECTORS:1000PCS/REEL
2. リードテープ長さ LEAD TAPE LENGTH



3. トップテープの剥離強度：(剥離方向は下図参照)  
0. 1~1. 3N {10~130gf} 尚、本規格値は、出荷時に適用。  
(但し、輸送時に剥離が発生しない事。)  
PEELING OFF FORCE OF TOP TAPE  
0. 1~1. 3N {10~130gf} (PEELING DIRECTION AS SHOWN IN FOLLOWING FIG.)  
THIS REQUIREMENT SHOULD BE APPLIED AT SHIPMENT  
PEEL OFF SHOULD NOT BE ALLOWED,  
DURING TRANSPORTATION

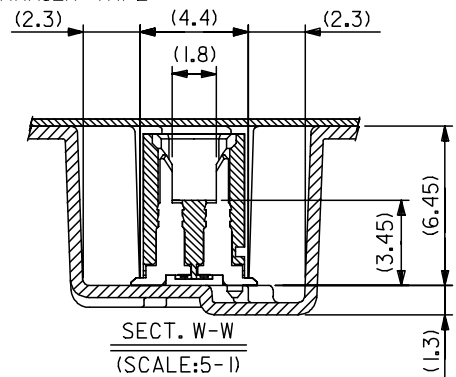
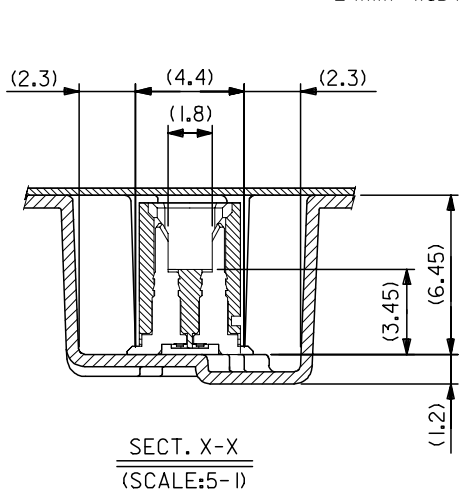
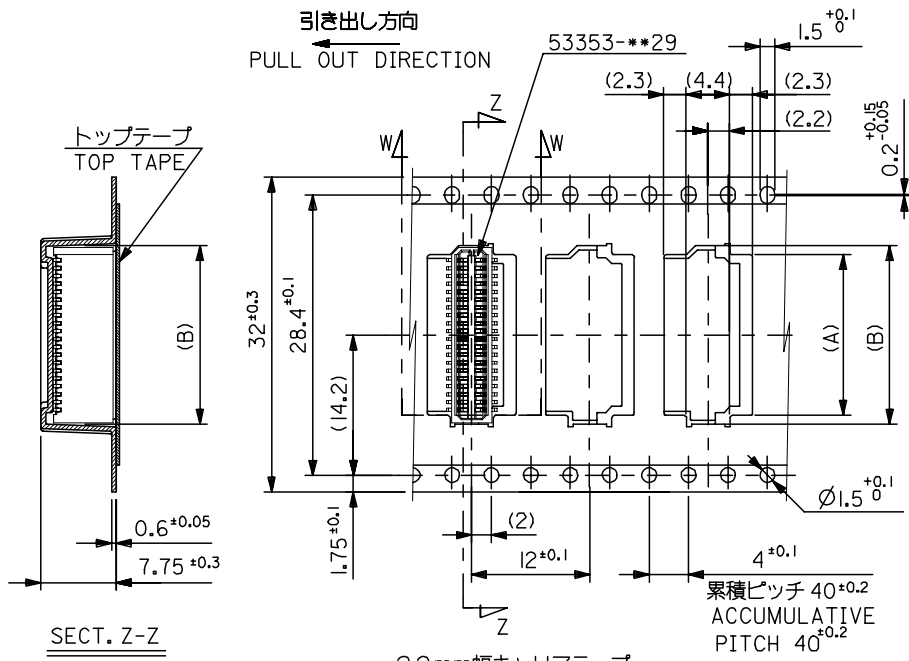
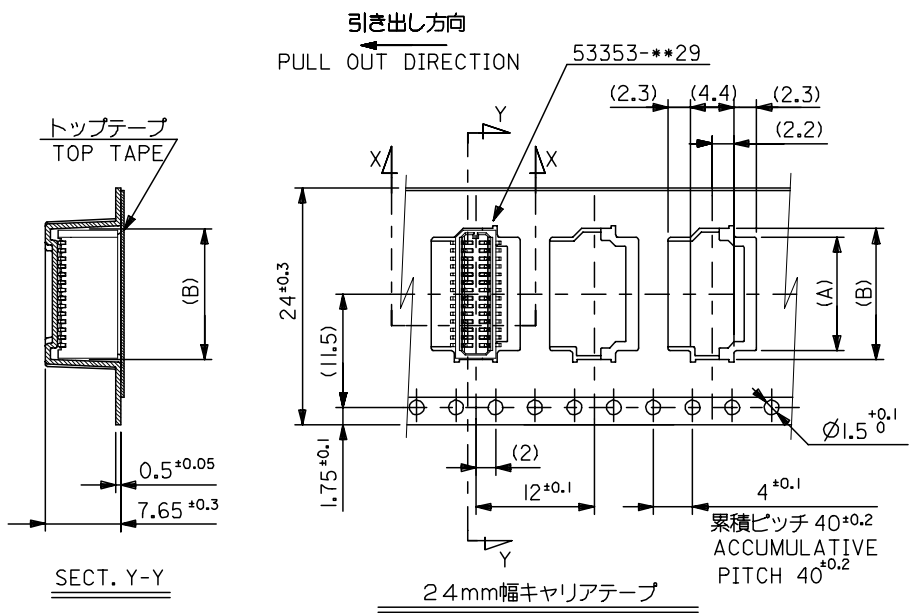


4. 材料 MATERIAL  
キャリアテープ：ポリプロピレン (PP) CARRIER TAPE:POLYPROPYLENE  
トップテープ：PET, PE, PEF TOP TAPE:PET,PE,PEF  
リール：ポリスチレン (PS) REEL:POLYSTYRENE(PS)  
<リサイクル材を含む> <RECYCLE MATERIAL CONTAIND>
5. 本製品は53353-\*\*\*91の鉛フリー品である。  
THIS PRODUCT IS LEAD FREE OF 53353-\*\*\*91.

16	21.4	17.4	8.5	6.7	53353-1671	16
			7.7	5.9	53353-1471	14
			6.9	5.1	53353-1271	12
			6.1	4.3	53353-1071	10
キャリアテープ幅 CARRIER TAPE WIDTH	D	C	(B)	(A)	MATERIAL NO.	極数 CIRCUIT

MODEL NO. 53353-\*\*\*71

REVISED EC NO: J2005-2159 DRAWN:KENSUZUKI 2005/01/26 CHKD:NUKITA 2005/01/26 APPR:NUKITA 2005/02/02 REV A	GENERAL TOLERANCES (UNLESS SPECIFIED)		DIMENSION STYLE MM ONLY		SCALE ---	DESIGN UNITS METRIC	THIRD ANGLE PROJECTION
	10 UNDER	±0.2	DRAWN BY YWADA	DATE 2004/03/04	TITLE 0.8 BTB CONN WAFER ASSY ST SMT WITHOUT BOSS EMBTP PKG -LEAD FREE-		
	10 OVER 30 UNDER	±0.25	CHECKED BY MSASAO	DATE 2004/03/04	APPROVED BY MSASAO		
	30 OVER	±0.3	DATE 2004/03/04	MATERIAL NO. SEE CHART			
	ANGULAR	±3 °	MATERIAL NO. SEE CHART		DOCUMENT NO. SD-53353-004	SHEET NO. 1 OF 2	
DRAFT WHERE APPLICABLE MUST REMAIN WITHIN DIMENSIONS		THIS DRAWING CONTAINS INFORMATION THAT IS PROPRIETARY TO MOLEX INCORPORATED AND SHOULD NOT BE USED WITHOUT WRITTEN PERMISSION					



キャリアテープ幅 CARRIER TAPE WIDTH		32mm幅キャリアテープ 32mm WIDTH CARRIER TAPE		MODEL NO.		53353-***71
D	C	(B)	(A)	MATERIAL NO.	極数 CIRCUIT	
32	37.4	33.4	18.1	16.3	53353-4071	40
			16.5	14.7	53353-3671	36
24	29.4	25.4	14.1	12.3	53353-3071	30
			13.3	11.5	53353-2871	28
			10.9	9.1	53353-2271	22
			10.1	8.3	53353-2071	20
			9.3	7.5	53353-1871	18

REVISED EC NO: J2005-2159 DRAWN: KENSUJUKI 2005/01/26 CHKD: NUKITA 2005/01/26 APPR: NUKITA 2005/02/02	GENERAL TOLERANCES (UNLESS SPECIFIED)		DIMENSION STYLE MM ONLY		SCALE ---		DESIGN UNITS METRIC		THIRD ANGLE PROJECTION	
	10 UNDER	±0.2	DRAWN BY	DATE	TITLE					
	10 OVER 30 UNDER	±0.25	YWADA	2004/03/04	0.8 BTB CONN WAFER ASSY					
	30 OVER	±0.3	CHECKED BY	DATE	ST SMT WITHOUT BOSS					
ANGULAR	±3°	MSASAO	2004/03/04	EMBTP PKG -LEAD FREE-						
DRAFT WHERE APPLICABLE MUST REMAIN WITHIN DIMENSIONS		APPROVED BY	DATE	MOLEX INCORPORATED		DOCUMENT NO.		SHEET NO.		
		MSASAO	2004/03/04	SEE CHART		SD-53353-004		2 OF 2		
THIS DRAWING CONTAINS INFORMATION THAT IS PROPRIETARY TO MOLEX INCORPORATED AND SHOULD NOT BE USED WITHOUT WRITTEN PERMISSION										