

PLEASE CHECK WWW.MOLEX.COM FOR LATEST PART INFORMATION

Part Number: [0521170242](#)
Status: **Active**
Overview: [splash_proof](#)
Description: 2.50mm (.098") Pitch Splash Proof Wire-to-Wire Receptacle Housing, 2 Circuits

Documents:

| | |
|--|--|
| 3D Model | Product Specification PS-52117-002 (PDF) |
| Drawing (PDF) | RoHS Certificate of Compliance (PDF) |
| Product Specification PS-52117-001 (PDF) | |

General

| | |
|----------------|------------------------------|
| Product Family | Crimp Housings |
| Series | 52117 |
| Overview | splash_proof |
| Product Name | Splash Proof |

Physical

| | |
|-------------------------------|-----------------|
| Circuits (maximum) | 2 |
| Color - Resin | Red |
| Gender | Receptacle |
| Glow-Wire Compliant | No |
| Lock to Mating Part | Yes |
| Material - Resin | Polyester |
| Number of Rows | 1 |
| Packaging Type | Tray |
| Panel Mount | No |
| Pitch - Mating Interface (in) | 0.197 In |
| Pitch - Mating Interface (mm) | 5.00 mm |
| Stackable | No |
| Temperature Range - Operating | -40°C to +105°C |

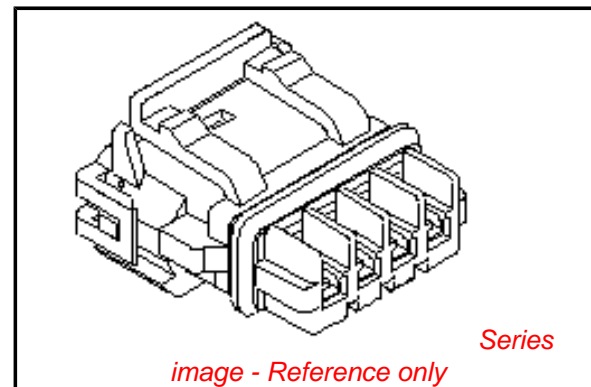
Electrical

| | |
|-------------------------------|----|
| Current - Maximum per Contact | 3A |
|-------------------------------|----|

Material Info

Reference - Drawing Numbers

| | |
|-------------------------|----------------------------|
| Packaging Specification | SPK-52117-001 |
| Product Specification | PS-52117-001, PS-52117-002 |
| Sales Drawing | SD-52117-02** |



EU RoHS

**ELV and RoHS
Compliant**
REACH SVHC
 Not Reviewed
**Halogen-Free
Status**

China RoHS



**Need more information on product
environmental compliance?**

Email productcompliance@molex.com
 For a multiple part number RoHS Certificate of
 Compliance, [click here](#)

Please visit the [Contact Us](#) section for any
 non-product compliance questions.

Search Parts in this Series

[52117Series](#)

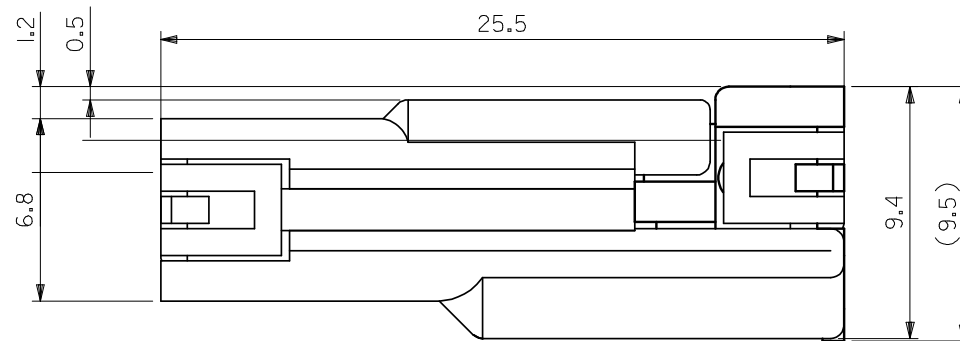
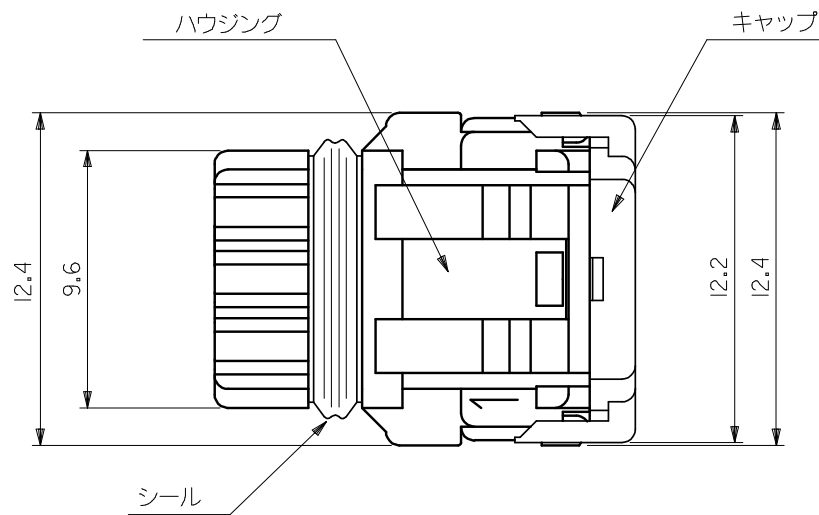
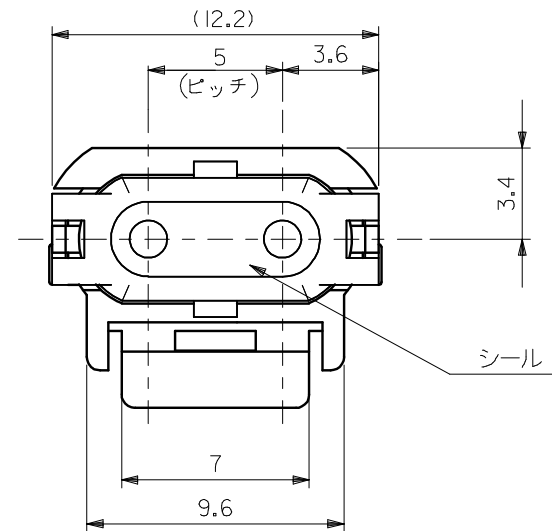
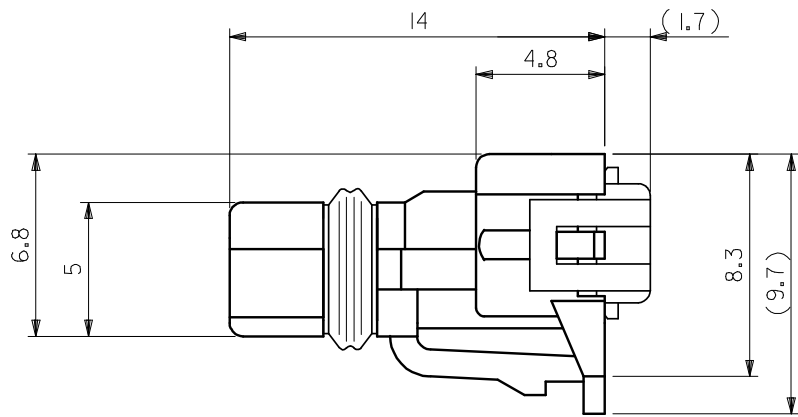
Mates With

[52116](#)

Use With

[50039](#)

PLEASE CHECK WWW.MOLEX.COM FOR LATEST PART INFORMATION



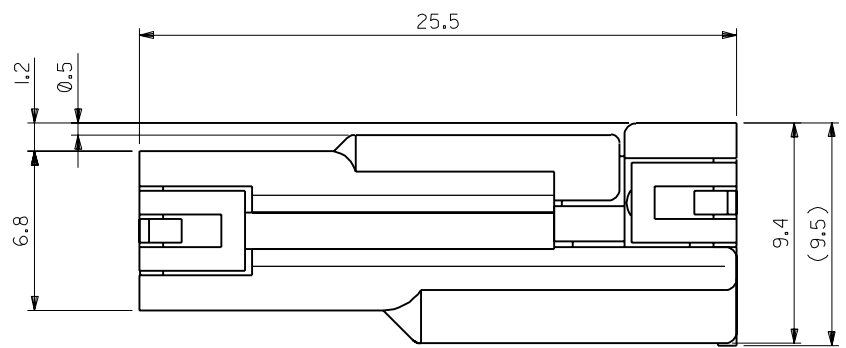
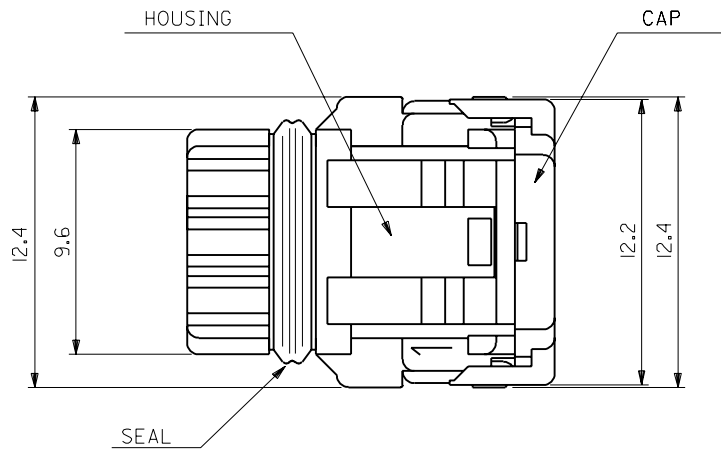
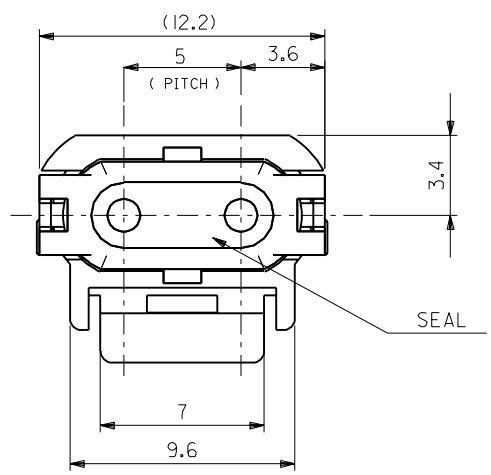
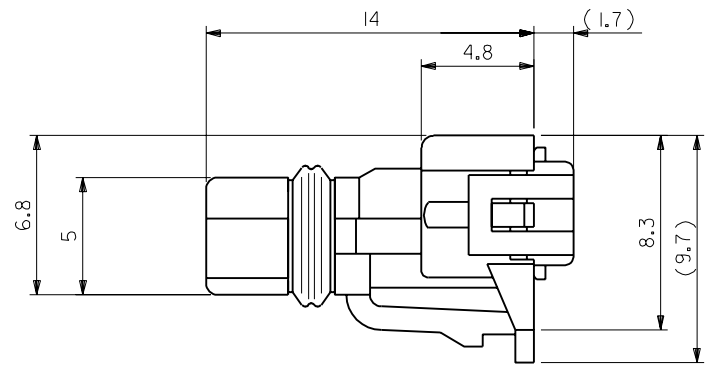
嵌合状態図
FULLY MATED CONDITION

NOTE

- 適合ターミナル: 50039-8*00
APPLICABLE TERMINAL : 50039-8*00
- 材料
MATERIAL
キャップ: ポリエステル (ガラス15%含有)
CAP: POLYESTER(15% GF)
ハウジング: ポリエステル (ガラス15%含有)
HOUSING: POLYESTER(15% GF)
シール: シリコンゴム
SEAL: SILICONE RUBBER
- 嵌合相手: 52116-02**
MATE WITH: 52116-02**
- 表の色はハウジング色を表す。
HOUSING COLOR IS SHOWN IN CHART
- ELV及びRoHS適合品
ELV AND RoHS COMPLIANT

| | | |
|---------------------------------|---------|------------|
| AVSS0.3, AWG#20-22 | 白 WHITE | 52117-0243 |
| AVS0.3, AWG#20-22 | 赤 RED | 52117-0242 |
| AVS0.3, AWG#20-22 | 黒 BLACK | 52117-0241 |
| AVS0.3, AWG#20-22 | 白 WHITE | 52117-0240 |
| 適用電線範囲 APPLICABLE WIRE RANGE | 色 COLOR | ENG. NO. |

| | | | | | | |
|---|--|-------|----------------------------|---|---|------------------------|
| REVISED & REDRAWN EC NO: JTR2009-0017 DRWN: T. IIDA01 2008/07/23 CHKD: TAITO 2008/07/23 APPR: AKAMESHIGE 2008/07/23 | GENERAL TOLERANCES (UNLESS SPECIFIED) | | DIMENSION STYLE MM ONLY | SCALE 5:1 | DESIGN UNITS METRIC | THIRD ANGLE PROJECTION |
| | 10 UNDER | ±0.2 | DRAWN BY Y. ASHIZAWA | DATE 1988/7/8 | TITLE 2.5 SPLASH PROOF CONN. REC. HSG ASSY W/POSITIVE LOCK | |
| | 10 OVER 30 UNDER | ±0.25 | CHECKED BY M. SAKANO | DATE 1988/7/8 | MOLEX INCORPORATED | |
| | 30 OVER | ±0.3 | APPROVED BY M. ENOMOTO | DATE 1988/7/8 | DOCUMENT NO. SD-52117-02** | SHEET NO. 1 OF 1 |
| | ANGULAR ±3° | | MATERIAL NO. SEE CHART | THIS DRAWING CONTAINS INFORMATION THAT IS PROPRIETARY TO MOLEX INCORPORATED AND SHOULD NOT BE USED WITHOUT WRITTEN PERMISSION | | |
| REV | DRAFT WHERE APPLICABLE MUST REMAIN WITHIN DIMENSIONS | | SIZE A3 | | | |



FULLY MATED CONDITION

| | | |
|-------------------|-------|------------|
| AVS0.3, AWG#20-22 | RED | 52117-0242 |
| AVS0.3, AWG#20-22 | BLACK | 52117-0241 |
| AVS0.3, AWG#20-22 | WHITE | 52117-0240 |
| WIRE RANGE | COLOR | ENG. NO. |

- NOTES**
- ACCEPTS CRIMP TERMINAL:50039-8*00
 - MATE'L:
 - CAP ;POLYESTER(I5%G.F.)
 - HOUSING;POLYESTER(I5%G.F.)
 - SEAL ;SILICONE
 - MATES WITH:52116-02**
 - COLOR IN THE CHART INDICATES HOUSING COLOR

| | | | | | |
|-------------------------|-------|---------------------------|----------------------|----------|---------|
| 角度 ANGLE | ±3° | | | | |
| 30以上 OVER | +0.3 | A | REVISED (J90218) | 1.0 | 3/17/89 |
| 10以上 30未滿 UNDER | +0.25 | 0 | RELEASED (J80600) | 1.0 | 7/8/88 |
| 10未滿 UNDER | +0.2 | 記号 LTR | 変更内容 REVISION RECORD | DR. CHK. | 日付 DATE |
| 一般公差 GENERAL TOLERANCES | | REVISE ONLY ON CAD SYSTEM | | | |

| | | | |
|----------------------------|-------------------|---|---------------|
| 材料 MATERIAL | SEE NOTES | molex MOLEX-JAPAN CO.,LTD. 日本モレックス株式会社 | |
| 仕上げ FINISH | // | EDP. NO. | // |
| 適用電線範囲 WIRE RANGE | SEE CHART | ENG. NO. | SD-52117-02** |
| 被覆外径 INS. RANGE | φ 1.8-1.9 | REV | A |
| DRAWN BY 7/8/88 Y.ASHIZAWA | CHK'D BY M.SAKANO | TITLE 名称 2.5 SPLASH PROOF CONN. REC. HS'G ASS'Y W/POSITIVE LOCK | |
| APP'D BY M.ENOMOTO | 尺 度 SCALE 5-1 | | |

THIS DRAWING CONTAINS INFORMATION THAT IS PROPRIETARY TO MOLEX(JAPAN) AND SHOULD NOT BE USED WITHOUT WRITTEN PERMISSION
 本図面は日本モレックス(株)の所有する情報を含むもので 当社の許可なく複製を禁止する。