

PLEASE CHECK WWW.MOLEX.COM FOR LATEST PART INFORMATION

Part Number: [0521170240](#)
Status: **Active**
Overview: [splash_proof](#)
Description: 2.50mm (.098") Pitch Splash Proof Wire-to-Wire Receptacle Housing, 2 Circuits

Documents:

[3D Model](#) [Product Specification PS-52117-002 \(PDF\)](#)
[Drawing \(PDF\)](#) [RoHS Certificate of Compliance \(PDF\)](#)
[Product Specification PS-52117-001 \(PDF\)](#)

General

Product Family Crimp Housings
 Series [52117](#)
 Overview [splash_proof](#)
 Product Name Splash Proof

Physical

Circuits (maximum) 2
 Color - Resin White
 Gender Receptacle
 Glow-Wire Compliant No
 Lock to Mating Part Yes
 Material - Resin Polyester
 Number of Rows 1
 Packaging Type Tray
 Panel Mount No
 Pitch - Mating Interface (in) 0.197 In
 Pitch - Mating Interface (mm) 5.00 mm
 Stackable No
 Temperature Range - Operating -40°C to +105°C

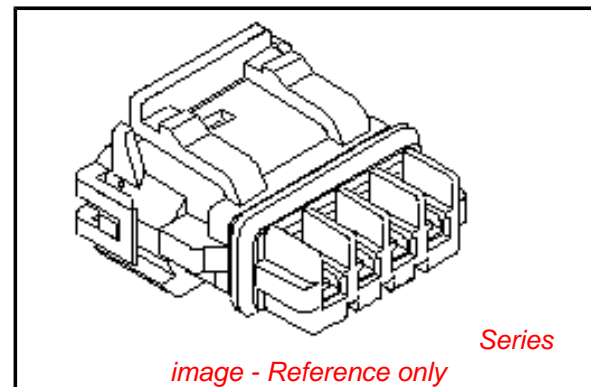
Electrical

Current - Maximum per Contact 3A

Material Info

Reference - Drawing Numbers

Packaging Specification SPK-52117-001
 Product Specification PS-52117-001, PS-52117-002
 Sales Drawing SD-52117-02**



EU RoHS

**ELV and RoHS
 Compliant**
REACH SVHC
 Not Reviewed
**Halogen-Free
 Status**

China RoHS



**Need more information on product
 environmental compliance?**

Email productcompliance@molex.com
 For a multiple part number RoHS Certificate of
 Compliance, [click here](#)

Please visit the [Contact Us](#) section for any
 non-product compliance questions.

Search Parts in this Series

[52117Series](#)

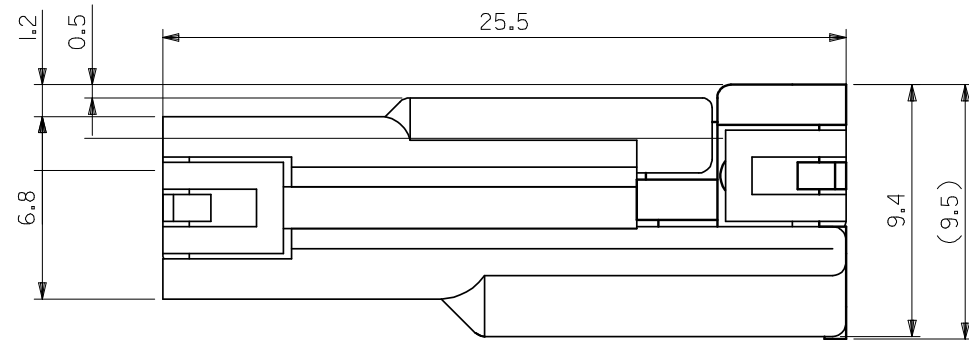
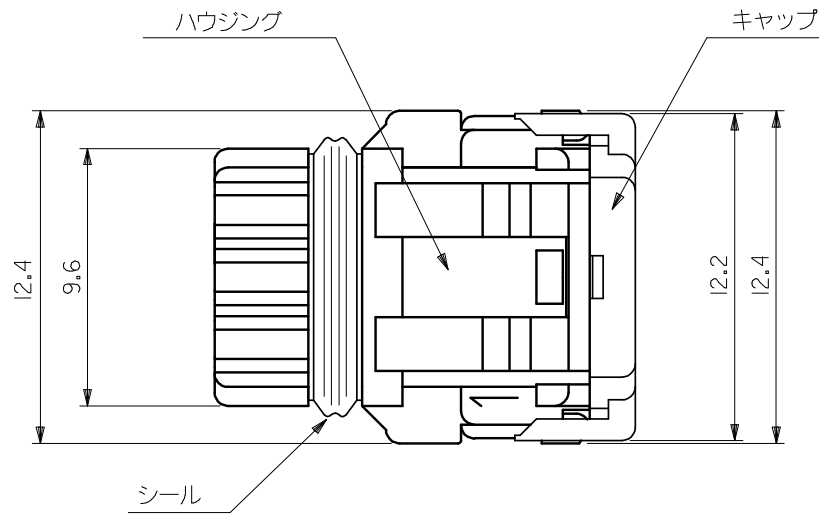
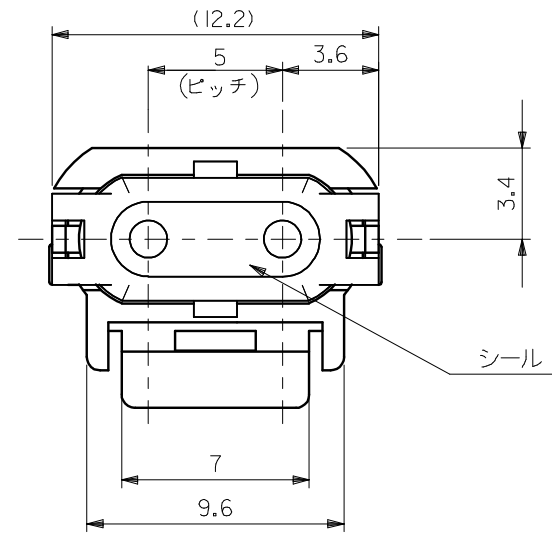
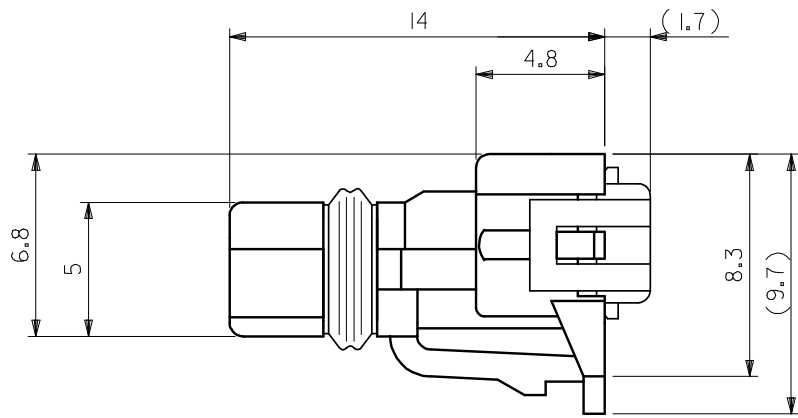
Mates With

[52116](#)

Use With

[50039](#)

PLEASE CHECK WWW.MOLEX.COM FOR LATEST PART INFORMATION



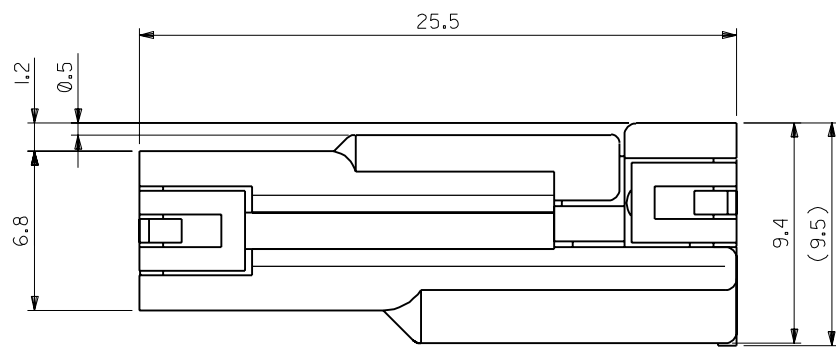
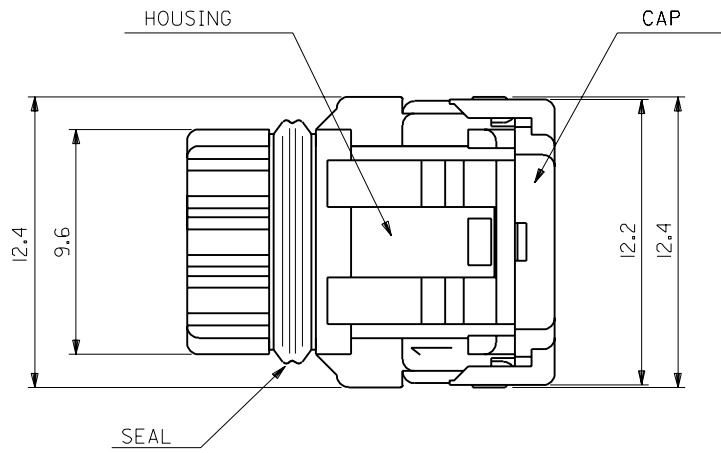
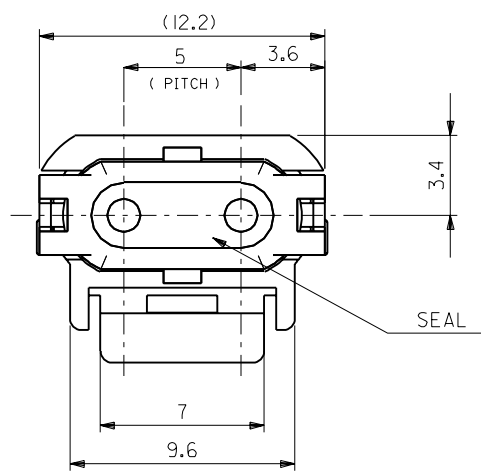
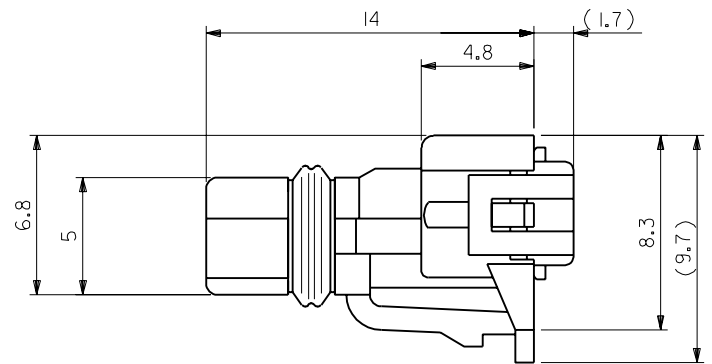
嵌合状態図
FULLY MATED CONDITION

NOTE

- 適合ターミナル: 50039-8*00
APPLICABLE TERMINAL : 50039-8*00
- 材料
MATERIAL
キャップ: ポリエステル (ガラス15%含有)
CAP: POLYESTER(15% GF)
ハウジング: ポリエステル (ガラス15%含有)
HOUSING: POLYESTER(15% GF)
シール: シリコンゴム
SEAL: SILICONE RUBBER
- 嵌合相手: 52116-02**
MATE WITH: 52116-02**
- 表の色はハウジング色を表す。
HOUSING COLOR IS SHOWN IN CHART
- ELV及びRoHS適合品
ELV AND RoHS COMPLIANT

AVSS0.3, AWG#20-22	白 WHITE	52117-0243
AVS0.3, AWG#20-22	赤 RED	52117-0242
AVS0.3, AWG#20-22	黒 BLACK	52117-0241
AVS0.3, AWG#20-22	白 WHITE	52117-0240
適用電線範囲 APPLICABLE WIRE RANGE	色 COLOR	ENG. NO.

REVISED & REDRAWN EC NO: JTR2009-0017 DRWN: T. IIDA01 2008/07/23 CHKD: TAITO 2008/07/23 APPR: AKAMESHIGE 2008/07/23	GENERAL TOLERANCES (UNLESS SPECIFIED)		DIMENSION STYLE MM ONLY		SCALE 5:1	DESIGN UNITS METRIC	THIRD ANGLE PROJECTION	
	10 UNDER	±0.2	DRAWN BY Y. ASHIZAWA	DATE 1988/7/8	TITLE 2.5 SPLASH PROOF CONN. REC. HSG ASSY W/POSITIVE LOCK			
	10 OVER 30 UNDER	±0.25	CHECKED BY M. SAKANO	DATE 1988/7/8				
	30 OVER	±0.3	APPROVED BY M. ENOMOTO	DATE 1988/7/8	MOLEX INCORPORATED			
	ANGULAR ±3 °		MATERIAL NO.	DOCUMENT NO.				
DRAFT WHERE APPLICABLE MUST REMAIN WITHIN DIMENSIONS		SEE CHART		SD-52117-02**				
THIS DRAWING CONTAINS INFORMATION THAT IS PROPRIETARY TO MOLEX INCORPORATED AND SHOULD NOT BE USED WITHOUT WRITTEN PERMISSION								



FULLY MATED CONDITION

AVS0.3, AWG#20-22	RED	52117-0242
AVS0.3, AWG#20-22	BLACK	52117-0241
AVS0.3, AWG#20-22	WHITE	52117-0240
WIRE RANGE	COLOR	ENG. NO.

- NOTES**
- ACCEPTS CRIMP TERMINAL:50039-8*00
 - MATE'L :
 CAP ;POLYESTER(I5%G.F.)
 HOUSING;POLYESTER(I5%G.F.)
 SEAL ;SILICONE
 - MATES WITH:52116-02**
 - COLOR IN THE CHART INDICATES HOUSING COLOR

材料 MATERIAL				SEE NOTES	molex MOLEX-JAPAN CO.,LTD. 日本モレックス株式会社	
仕上げ FINISH				//	EDP. NO. //	
適用電線範囲 WIRE RANGE				SEE CHART	ENG. NO. SD-52117-02**	
被覆外径 INS. RANGE				Ø 1.8-1.9	REV A	
DRAWN BY 7/8/88				CHK'D BY M.SAKANO	TITLE 名称	
Y.ASHIZAWA				DATE 7/8/88	2.5 SPLASH PROOF CONN. REC. HS'G	
APP'D BY M.ENOMOTO				SCALE 5-1	ASS'Y W/POSITIVE LOCK	
REVISION RECORD				REVISION RECORD		
角 度 ANGLE				角 度 ANGLE		
30以上 OVER				+0.3		
10以上 30未 満 UNDER				±0.25		
10未 満 UNDER				±0.2		
一般公差 GENERAL TOLERANCES				REVISION RECORD		