

PLEASE CHECK WWW.MOLEX.COM FOR LATEST PART INFORMATION

Part Number: [0190690028](#)
Status: **Active**
Description: Krimptite™ Ring Tongue Terminal for 18-22 AWG Wire

Documents:

[Drawing \(PDF\)](#) [RoHS Certificate of Compliance \(PDF\)](#)

Agency Certification

CSA LR18689
 UL E32244

General

Product Family Ring and Spade Terminals
 Series [19069](#)
 Crimp Quality Equipment Yes
 Mil-Spec N/A
 Product Name Krimptite™
 Type Ring

Physical

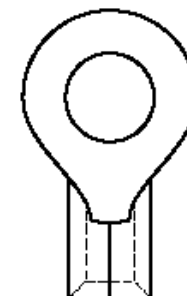
Barrel Type Closed
 Insulation None
 Material - Plating Mating Tin
 Packaging Type Adhesive Tape on Reel
 Stud Size 1-2 (M2)
 Termination Interface: Style Crimp or Compression
 Wire Size AWG 18, 20, 22
 Wire Size mm² 0.35 - 0.80

Material Info

Old Part Number AA-120-02T

Reference - Drawing Numbers

Sales Drawing SD-19069-004



*Series
image - Reference only*

EU RoHS

**ELV and RoHS
Compliant**
**REACH SVHC
Contains SVHC: No**
**Halogen-Free
Status**

China RoHS



Halogen-Free

**Need more information on product
environmental compliance?**

Email productcompliance@molex.com
 For a multiple part number RoHS Certificate of
 Compliance, [click here](#)

Please visit the [Contact Us](#) section for any
 non-product compliance questions.

Search Parts in this Series

[19069Series](#)

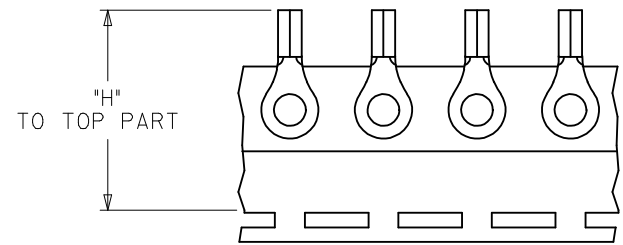
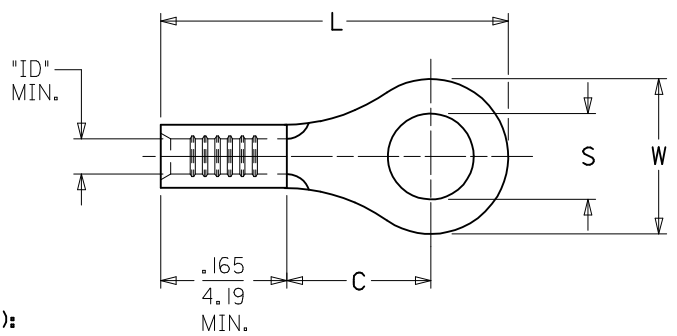
Application Tooling | [FAQ](#)

*Tooling specifications and manuals are
 found by selecting the products below.
 Crimp Height Specifications are then
 contained in the Application Tooling
 Specification document.*

Global

Description	Product #
ATP Tooling Kit for ATP-100 and ATP-300 Series Air Crimping Press for Mylar Tape Mounted Terminals	0190270034
Mini-Mac™ Applicator	0638853800

10	9	8	7	6	5	4	3	2	1		
MATERIAL NO. LOOSE PIECE	ENG. NO.	MATERIAL NO. TAPE MOUNTED	ENG. NO.	STUD SIZE	"S" ±.003/(0.08)	"W" MAX.	"C" MIN.	"L" MAX.	"ID" MIN.	STOCK THICKNESS	"H" ±.020/0.51
190690027	AA-120-02	190690028	AA-120-02T	2	.094/(2.39)	.235/(6.00)	.157/(3.99)	.484/(12.29)	.062/(1.57)	.028/(0.71)	1.155/(29.34)
190690029	AA-120-04	190690030	AA-120-04T	4	.119/(3.02)						
190690031	AA-120-06	190690032	AA-120-06T	6	.146/(3.71)						
190690033	AA-121-06	190690034	AA-121-06T	6	.146/(3.71)	.322/(8.18)	.270/(6.86)	.641/(16.28)	.062/(1.57)	.028/(0.71)	1.155/(29.34)
190690035	AA-121-08	190690036	AA-121-08T	8	.173/(4.39)						
190690037	AA-121-10	190690038	AA-121-10T	10	.198/(5.03)						
190690039	AA-121-209	190690475	AA-121-209T	209	.209/(5.18)	.477/(12.11)	.386/(9.80)	.835/(21.21)	.062/(1.57)	.028/(0.71)	1.155/(29.34)
190690040	AA-122-10	190690041	AA-122-10T	10	.198/(5.03)						
190690042	AA-122-14	190690044	AA-122-14T	14	.265/(6.71)						
190690045	AA-122-56	190690046	AA-122-56T	56	.328/(8.33)	.544/(13.82)	.552/(14.02)	1.034/(26.26)	.055/(1.40)	.031/(0.79)	1.342/(34.09)
190690047	AA-126-10	-----	-----	10	.198/(5.03)						
190690048	AA-126-14	190690128	AA-126-14T	14	.265/(6.71)						
190690051	AA-126-56	-----	-----	56	.328/(8.33)	.264/(6.70)	.240/(6.10)	.582/(14.78)	.062/(1.57)	.028/(0.71)	1.155/(29.34)
190690049	AA-126-38	190690050	AA-126-38T	38	.390/(9.91)						
190690052	AA-132-04	190690053	AA-132-04T	4	.119/(3.02)						
190690054	AA-132-06	190690055	AA-132-06T	6	.146/(3.71)	.283/(7.20)	.240/(6.10)	.591/(15.00)	.062/(1.57)	.028/(0.71)	1.155/(29.34)
190690056	AA-132-08	190690057	AA-132-08T	8	.173/(4.39) (C1)						
190690061	AA-133-10	190690062	AA-133-10T	10	.198/(5.03)						
190690024	AA-1111-02	190690191	AA-1111-02T	2	.094/(2.39)	.197/(5.00)	.173/(4.40)	.490/(12.40)	.055/(1.40)	.031/(0.79)	1.155/(29.34)
190690025	AA-1111-04	190690026	AA-1111-04T	4	.119/(3.02)						



SALES DRAWING

NOTE(S):
 1. MATERIAL: COPPER.
 2. PLATING: ELECTRO-TIN.
 3. ALL DIMENSIONS IN INCHES/(MM).

WIRE SIZE:
 22-18 AWG
 0.25-1.5 MM²

(C1) 4. PARTS ARE ROHS COMPLIANT.

FIX TYPO ON .173 DIM EC NO: WNA2009-0432 DRAWN: THRODAHL 2009/01/15 CHKD: JMACNEIL 2009/01/16 APPR: JMACNEIL 2009/01/16 REV: C1	QUALITY SYMBOLS	GENERAL TOLERANCES (UNLESS SPECIFIED)	DIMENSION STYLE	SCALE	DESIGN UNITS	THIRD ANGLE PROJECTION
	▽=0	mm INCH	IN/MM	1:1	INCH	
	▽=0	4 PLACES ± --- ± ---	DRAWN BY DATE	RING TONGUE TERMINAL KRIMPTITE, 100 SERIES 22-18 AWG		
		3 PLACES ± --- ± ---	BDEROSS 2000/6/13			
	2 PLACES ± --- ± ---	CHECKED BY DATE	MOLEX INCORPORATED DOCUMENT NO. SD-19069-004 SHEET NO. 1 OF 1			
	1 PLACE ± --- ± ---	JHACKNEY 2000/6/13				
	ANGULAR ± ---°	APPROVED BY DATE	THIS DRAWING CONTAINS INFORMATION THAT IS PROPRIETARY TO MOLEX INCORPORATED AND SHOULD NOT BE USED WITHOUT WRITTEN PERMISSION			
		RDEROSS 2000/6/13				
		MATERIAL NO.				
		SIZE				