

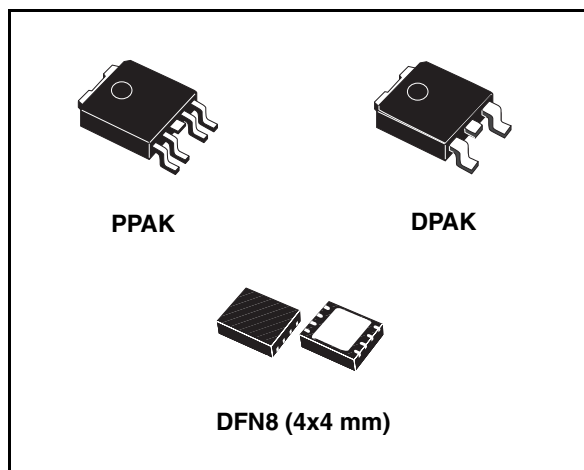
Ultra low drop BICMOS voltage regulator

Feature summary

- 0.8A Guaranteed output current
- Ultra low dropout voltage (150mV typ. @ 0.8A load, 20mV typ. @ 150mA load)
- Very low quiescent current (1mA typ. @ 0.8A load, 1µA max @ 25°C in off mode)
- Logic-controlled electronic shutdown
- Current and thermal internal limit
- $\pm 1.5\%$ Output voltage tolerance @ 25°C
- Fixed and ADJ output voltages: 1.22V, 1.8V, 2.5V, 3.3V, ADJ. (*see order code)
- Temperature range: -40 to 125°C
- Fast dynamic response to line and load changes
- Stable with ceramic capacitor (see paragraph 7.1, 7.2, 7.3)
- Available in PPAK, DPAK and DFN8 (4x4mm)

Typical application

- Microprocessor power supply
- DSPs power supply
- Post regulators for switching suppliers
- High efficiency linear regulator



Description

The LD39080 is a fast ultra low drop linear regulator which operates from 2.5V to 6V input supply.

A wide range of output options are available. The low drop voltage, low noise, and ultra low quiescent current make it suitable for low voltage microprocessor and memory applications. The device is developed on a BiCMOS process which allows low quiescent current operation independently of output load current.

Order codes

Part numbers			Output voltage
DPAK (T&R)	PPAK (T&R)	DFN ⁽¹⁾	
LD39080DT12-R		LD39080PU12R	1.22V
LD39080DT18-R	LD39080PT18-R	LD39080PU18R	1.8V
LD39080DT25-R	LD39080PT25-R	LD39080PU25R	2.5V
LD39080DT33-R	LD39080PT33-R	LD39080PU33R	3.3V
	LD39080PT-R	LD39080PU-R	ADJ From 1.22 to 5.0V

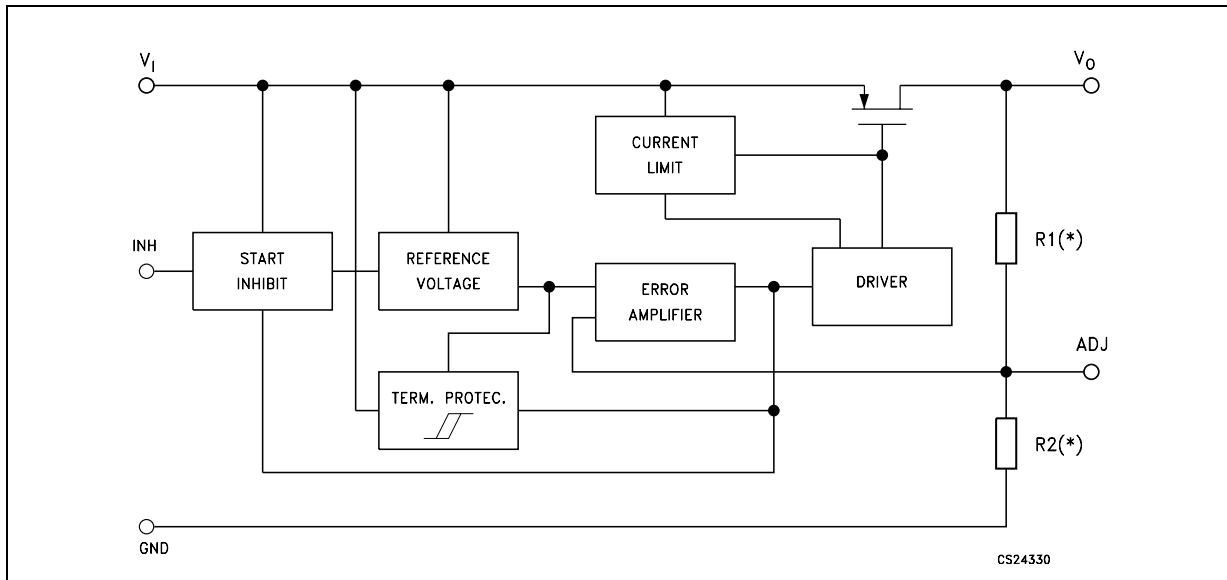
1. Available on request

Contents

1	Diagram	3
2	Pin configuration	4
3	Typical application circuits	5
4	Maximum ratings	7
5	Electrical characteristics	8
6	Typical performance characteristics	9
7	Application notes	12
	7.1 External capacitors	12
	7.2 Input capacitor	12
	7.3 Output capacitor	12
	7.4 Thermal note	12
	7.5 Inhibit input operation	12
8	Package mechanical data	13
9	Revision history	19

1 Diagram

Figure 1. Block diagram



(*) Not present on ADJ Versions

2 Pin configuration

Figure 2. Pin connections (top view for DPAK and PPAK, bottom view for DFN8)

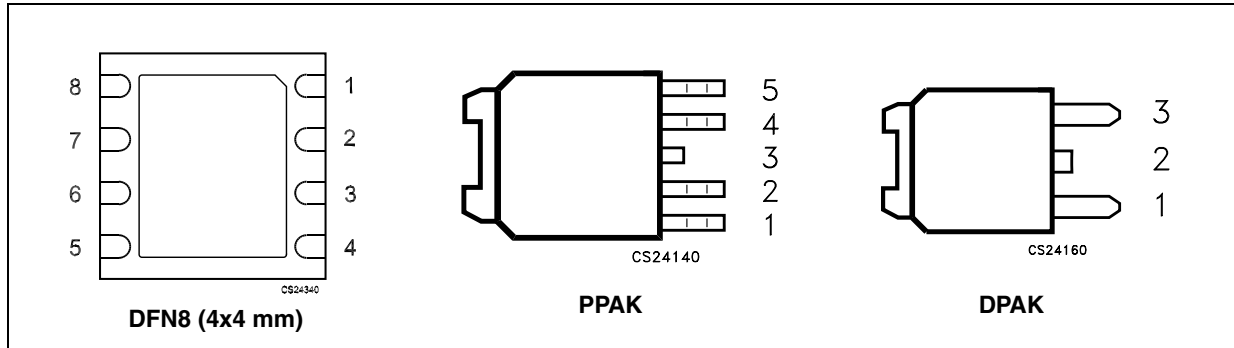


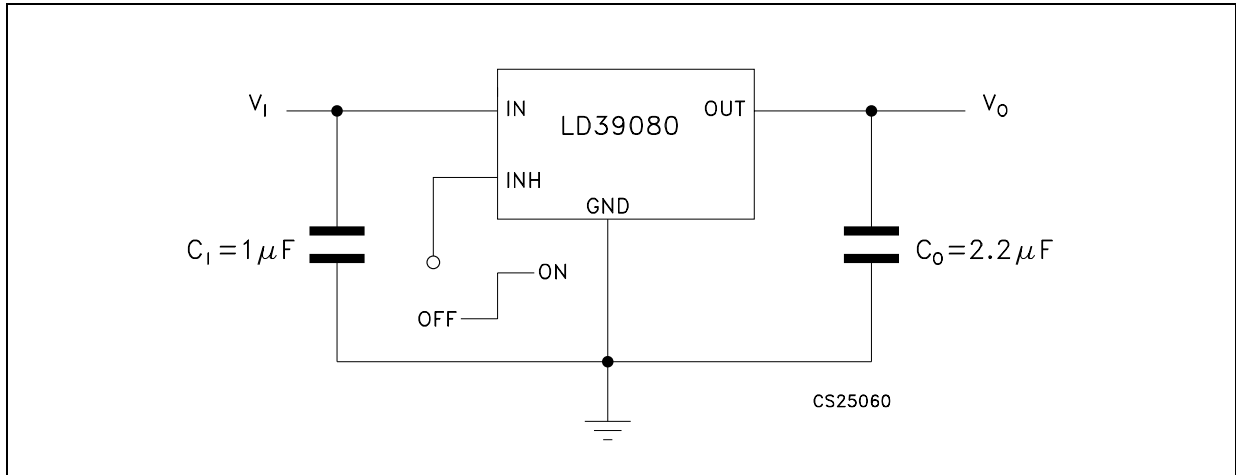
Table 1. Pin description

Pin N°			Symbol	Note
DFN	PPAK	DPAK		
8	5		$V_{SENSE}/N.C.$	For fixed versions: to be connected with LDO Output Voltage pins for DFN package and Not Connected on PPAK
			ADJ	For adjustable version: Error Amplifier Input pin for V_O from 1.22 to 5.0V
3, 4	2	1	V_I	LDO Input Voltage; V_I from 2.5V to 6V, $C_I=1\mu F$ must be located at a distance of not more than 0.5" from input pin.
6, 7	4	3	V_O	LDO Output Voltage pins, with minimum $C_O=2.2\mu F$ needed for stability (also refer to C_O vs. ESR stability chart)
2	1		V_{INH}	Inhibit Input Voltage: ON MODE when $V_{INH} \geq 2V$, OFF MODE when $V_{INH} \leq 0.3V$ (Do not leave floating, not internally pulled down/up)
1	3	2	GND	Common ground
5			N.C.	Not Connected

3 Typical application circuits

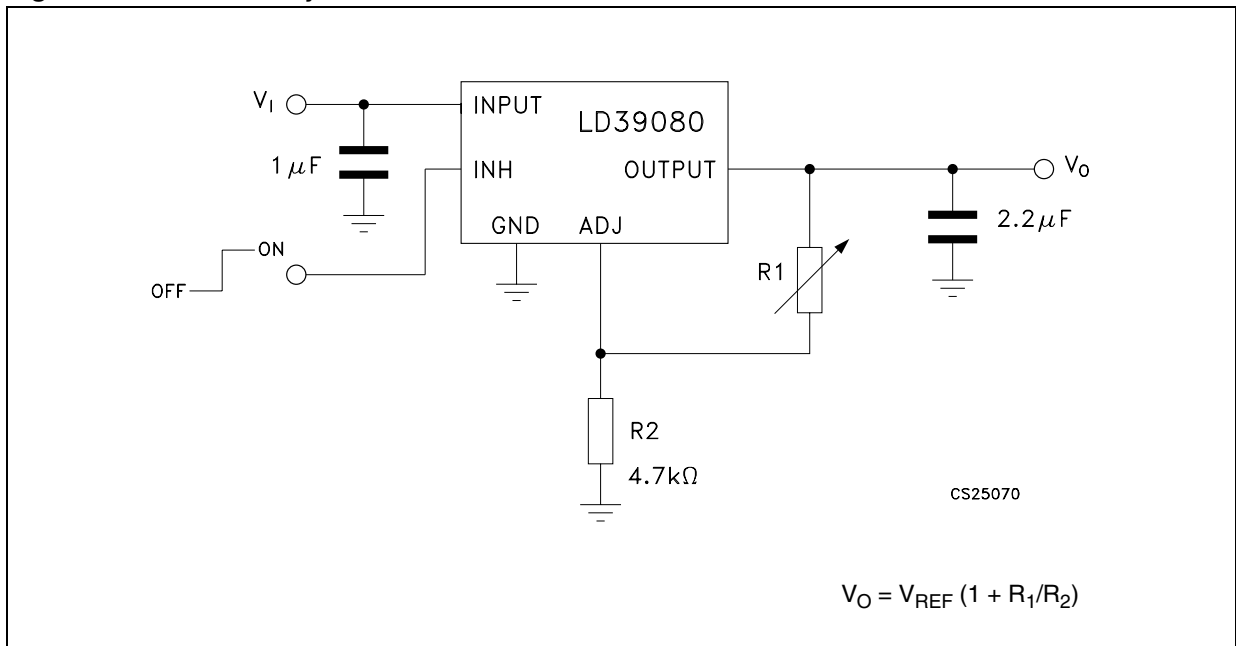
(C_1 and C_0 Capacitors must be placed as close as possible to the IC pins)

Figure 3. LD39080 fixed version with inhibit



- 1 *Inhibit Pin is not internally pulled down/up then it must not be left floating. Disable the device when connected to GND or to a positive voltage less than 0.3V*

Figure 4. LD39080 adjustable version



- 2 *Set R_2 as close as possible to 4.7KΩ*

Figure 5. LD39080 DPAK

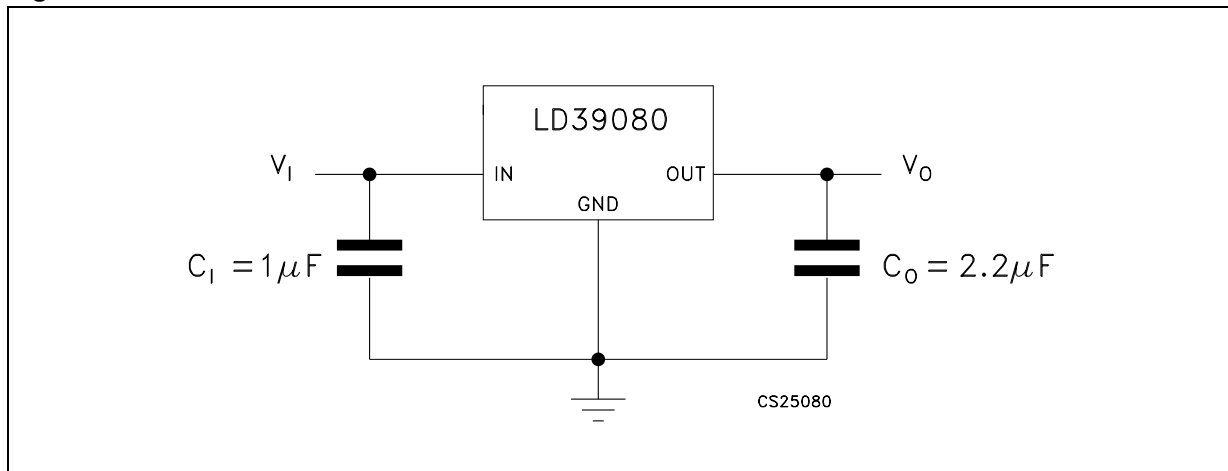
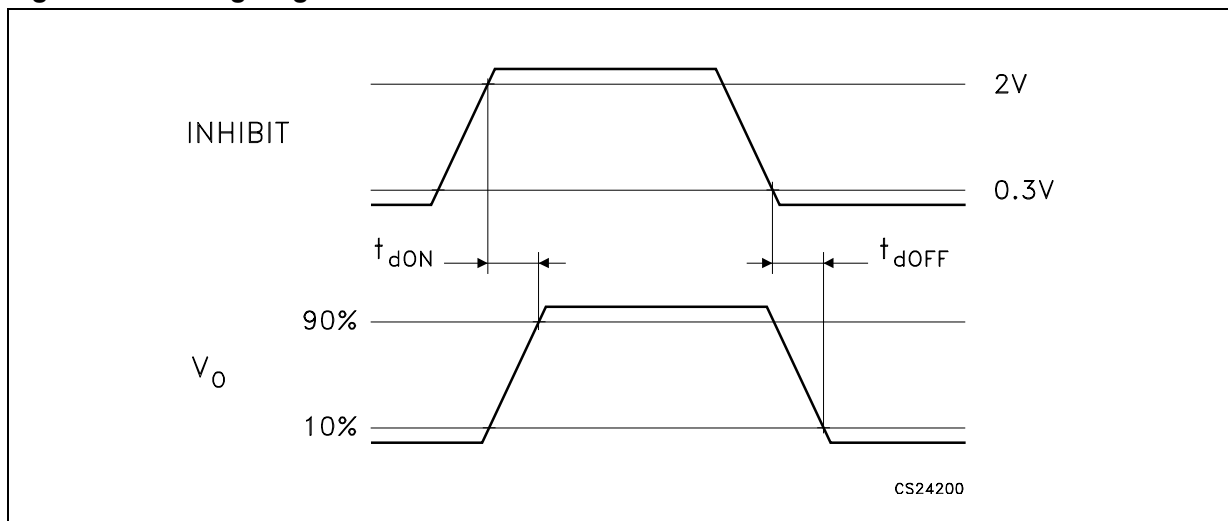


Figure 6. Timing diagram



4 Maximum ratings

Table 2. Absolute maximum ratings

Symbol	Parameter	Value	Unit
V_I	DC Input voltage	-0.3 to 6.5	V
V_{INH}	INHIBIT Input voltage	-0.3 to $V_I + 0.3$ (6.5V Max)	V
V_O	DC Output voltage	-0.3 to $V_I + 0.3$ (6.5V Max)	V
V_{ADJ}	ADJ Pin voltage	-0.3 to $V_I + 0.3$ (6.5V Max)	V
I_O	Output current	Internally Limited	mA
P_D	Power dissipation	Internally Limited	mW
T_{STG}	Storage temperature range	-50 to 150	°C
T_{OP}	Operating junction temperature range	-40 to 125	°C

Note: Absolute Maximum Ratings are those values beyond which damage to the device may occur. Functional operation under these conditions is not implied. All values are referred to GND.

Table 3. Thermal Data

Symbol	Parameter	PPAK	DPAK	DFN ⁽¹⁾	Unit
R_{thJA}	Thermal resistance junction-ambient	100	100	40	°C/W
R_{thJC}	Thermal resistance junction-case	8	8	10	°C/W

1. With PCB ground plane heatsink.

5 Electrical characteristics

Table 4. Electrical characteristics

($T_J = 25^\circ\text{C}$, $V_I = V_O + 1\text{V}$, $C_I = 1\mu\text{F}$, $C_O = 2.2\mu\text{F}$, $I_{\text{LOAD}} = 10\text{mA}$, $V_{\text{INH}} = 2\text{V}$, unless otherwise specified)

Symbol	Parameter	Parameter	Min.	Typ.	Max.	Unit
V_I	Operating input voltage		2.5		6	V
V_O	Output voltage tolerance	$V_I = V_O + 1\text{V}$, $I_{\text{LOAD}} = 10\text{mA}$ to 0.8A	-1.5		1.5	% of $V_{O(\text{NOM})}$
		$V_I = V_O + 1\text{V}$ to 6V , $I_{\text{LOAD}} = 10\text{mA}$ to 0.8A $T_J = -40$ to 125°C	-3		3	
V_{REF}	Reference voltage			1.22		V
ΔV_O	Output voltage LINE regulation	$V_I = V_O + 1\text{V}$ to 6V		0.04		%
		$V_I = V_O + 1\text{V}$ to 6V , $T_J = -40$ to 125°C		0.1	0.2	%
$\Delta V_O / \Delta I_{\text{LOAD}}$	Output voltage LOAD regulation	$I_{\text{LOAD}} = 10\text{mA}$ to 0.8A		0.06		% / A
		$I_{\text{LOAD}} = 10\text{mA}$ to 0.8A , $T_J = -40$ to 125°C		0.2	0.4	
V_{DROP}	Dropout voltage ($V_I - V_O$)	$I_{\text{LOAD}} = 150\text{mA}$, $T_J = -40$ to 125°C		20	40	mV
		$I_{\text{LOAD}} = 0.8\text{A}$, $T_J = -40$ to 125°C		150	300	
I_Q	Quiescent current: ON MODE	$I_{\text{LOAD}} = 10\text{mA}$ to 0.8A , $V_{\text{INH}} = 2\text{V}$ $T_J = -40$ to 125°C		1	2.5	mA
	Quiescent current: OFF MODE	$V_{\text{INH}} = 0.3\text{V}$			1	μA
		$V_{\text{INH}} = 0.3\text{V}$, $T_J = -40$ to 125°C			5	
Short Circuit Protection						
I_{SC}	Short circuit protection	$R_L = 0$		1.6		A
Inhibit Input						
V_{INH}	Inhibit threshold LOW	$V_I = 2.5$ to 6V OFF $T_J = -40$ to 125°C			0.3	V
	Inhibit threshold HIGH		2			
$T_{\text{D-OFF}}$	Current limit	$I_{\text{LOAD}} = 0.8\text{A}$, $V_O = 3.3\text{V}$		15		μs
$T_{\text{D-ON}}$	Current limit	$I_{\text{LOAD}} = 0.8\text{A}$, $V_O = 3.3\text{V}$		15		
I_{INH}	Inhibit input current ⁽¹⁾	$V_I = 6\text{V}$, $V_{\text{INH}} = 0$ to 6V		± 0.1	± 1	μA
AC Parameters						
SVR	Supply voltage rejection	$V_I = 4.5 \pm 1\text{V}$, $V_O = 3.3\text{V}$, $I_{\text{LOAD}} = 10\text{mA}$,	$f = 120\text{Hz}$		65	dB
			$f = 1\text{kHz}$		55	
e_N	Output noise voltage	$B_W = 10\text{Hz}$ to 100kHz , $C_O = 2.2\mu\text{F}$, $V_O = 2.5\text{V}$		100		μV_{RMS}
T_{SHDN}	Thermal shutdown OFF			170		$^\circ\text{C}$
	Hysteresis			10		

1. Guaranteed by design

6 Typical performance characteristics

($T_J = 25^\circ\text{C}$, $V_I = V_O + 1\text{V}$, $C_I = 1\mu\text{F}$, $C_O = 2.2\mu\text{F}$, $I_{\text{LOAD}} = 10\text{mA}$, $V_{\text{INH}} = V_I$, unless otherwise specified)

Figure 7. Output voltage vs temperature

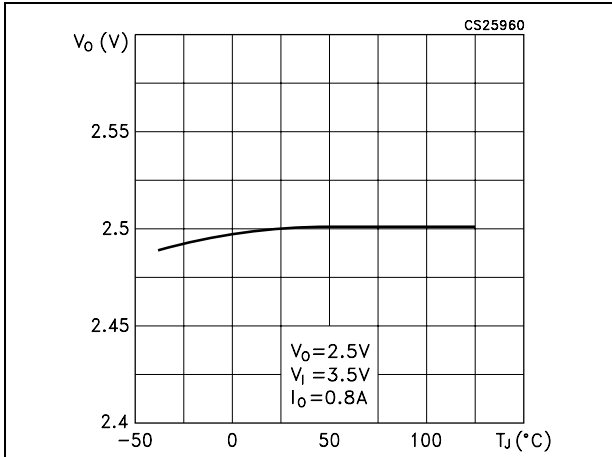


Figure 8. Dropout voltage vs temperature

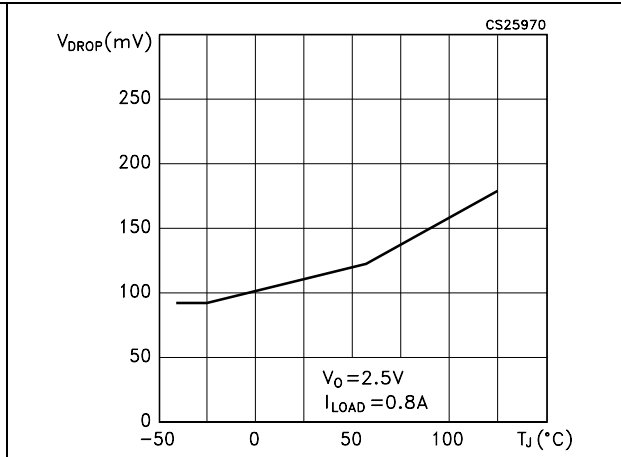


Figure 9. Dropout voltage vs output current

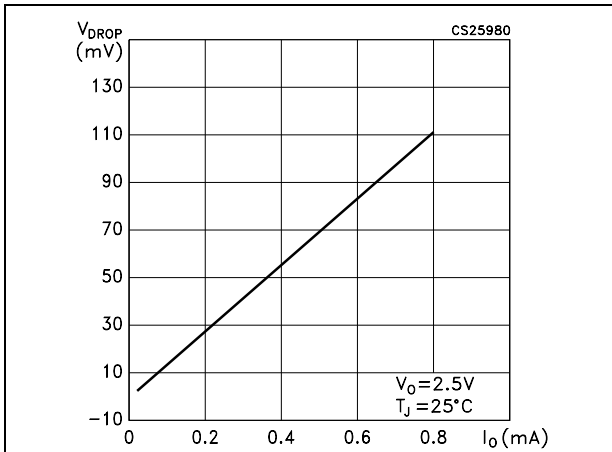


Figure 10. Quiescent current vs output current

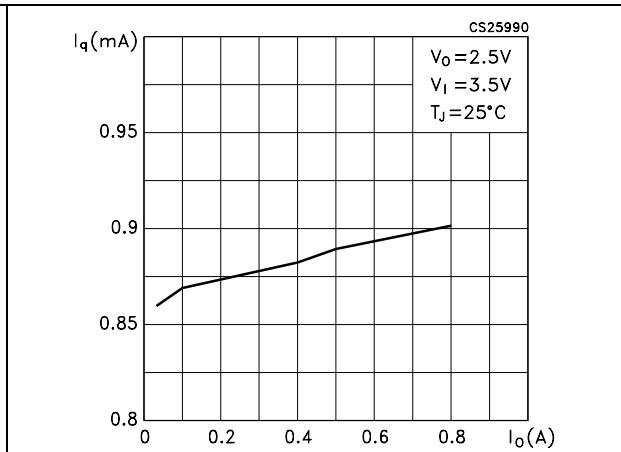


Figure 11. Quiescent current vs supply voltage

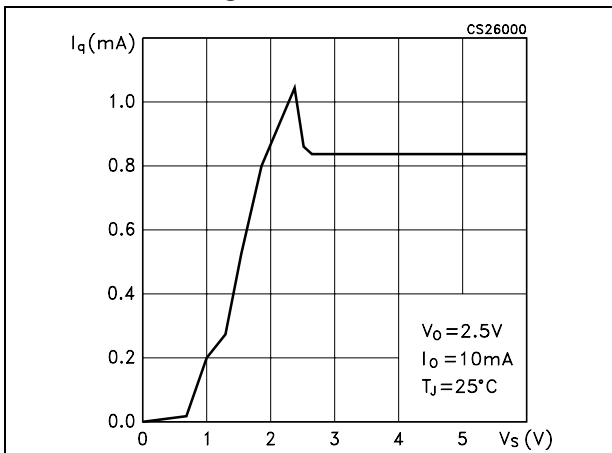


Figure 12. Quiescent current vs temperature

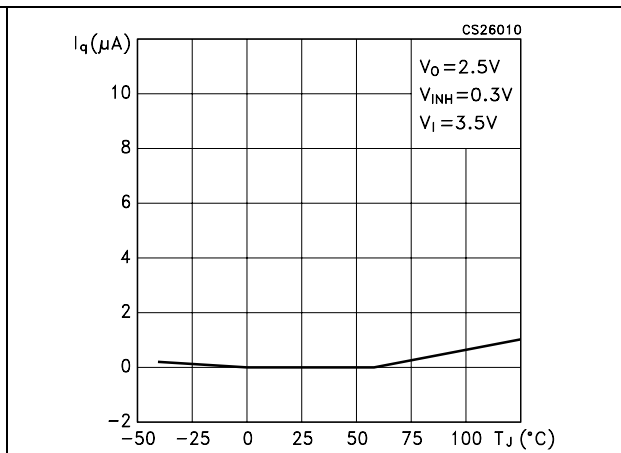


Figure 13. Quiescent current vs temperature

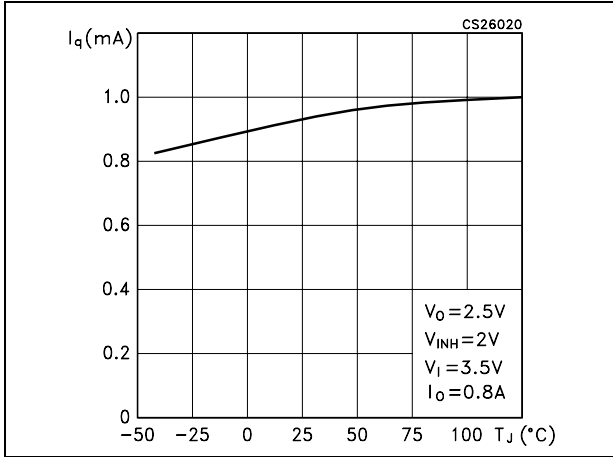


Figure 14. Short circuit current vs temperature

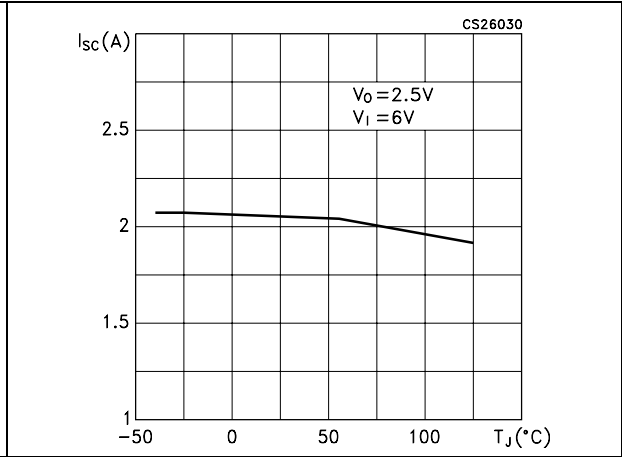


Figure 15. Output voltage vs input voltage

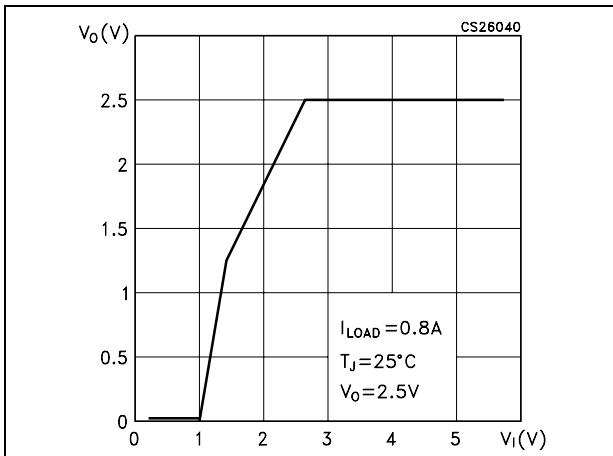


Figure 16. Supply voltage rejection vs temperature

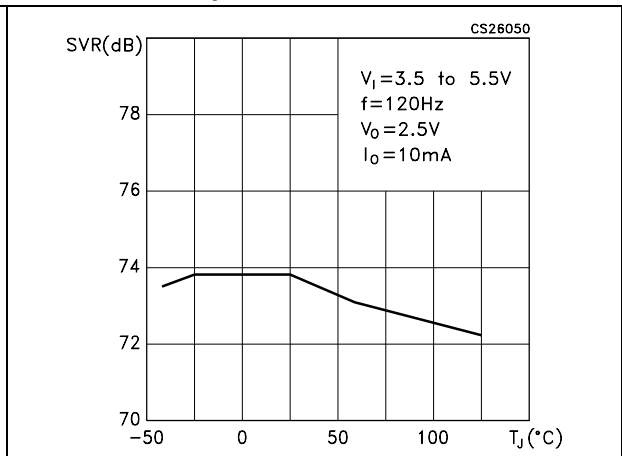


Figure 17. Stability region vs Co & ESR (at 100kHz)

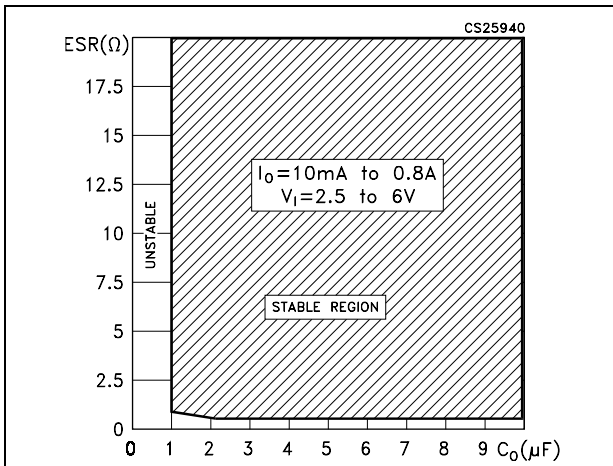


Figure 18. Stability region vs Co & Low ESR (at 100kHz)

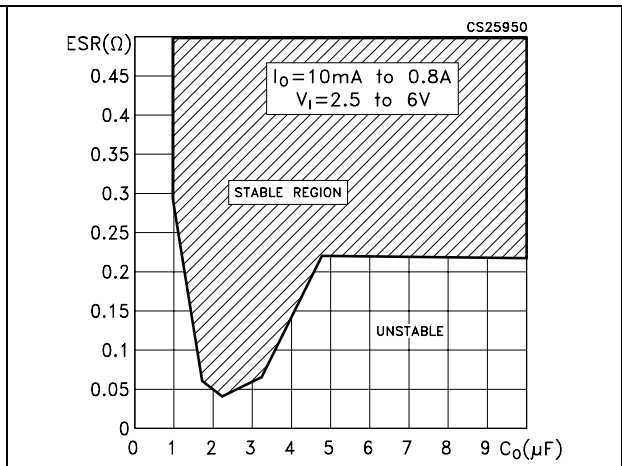


Figure 19. Load transient

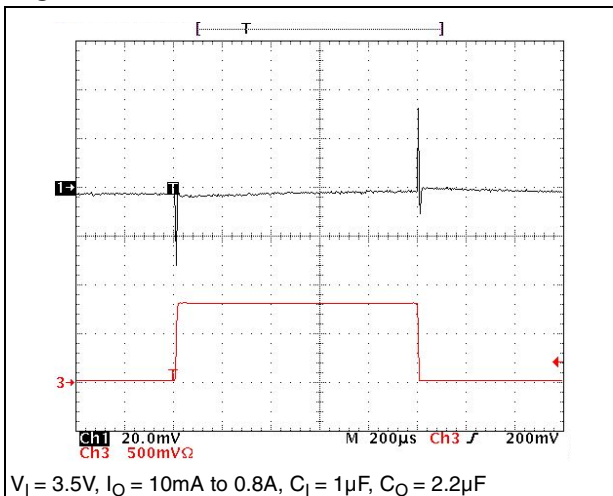
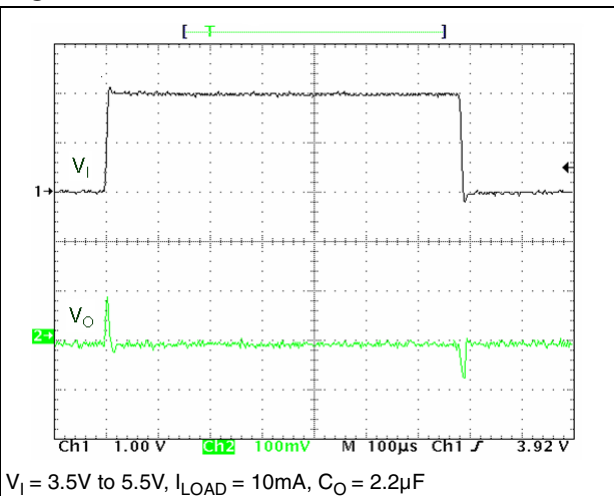


Figure 20. Line transient



7 Application notes

7.1 External capacitors

The LD39080 requires external capacitors for regulator stability. These capacitors must be selected to meet the requirements of minimum capacitance and equivalent series resistance (see [Figure 17](#), [Figure 18](#)). The input/output capacitors must be located less than 1cm from the relative pins and connected directly to the input/output ground pins using traces which have no other currents flowing through them. Any good quality of Ceramic or Electrolytic capacitors can be used.

7.2 Input capacitor

An input capacitor whose minimum value is 1 μ F is required with the LD39080 (amount of capacitance can be increased without limit). This capacitor must be located a distance of not more than 1cm from the input pin of the device and returned to a clean analog ground. Any good quality ceramic, tantalum or film capacitors can be used for this capacitor.

7.3 Output capacitor

It is possible to use Ceramic or Tantalum capacitors but the output capacitor must meet the requirement for minimum amount of capacitance and E.S.R. (equivalent series resistance) value. A minimum capacitance of 2.2 μ F is a good choice to guarantee the stability of the regulator. Anyway, other C_O values can be used according to the ([Figure 17](#), [Figure 18](#)) showing the allowable ESR range as a function of the output capacitance. This curve represents the stability region over the full temperature and I_O range.

7.4 Thermal note

The output capacitor must maintain its ESR in the stable region over the full operating temperature range to assure stability. Also, capacitors tolerance and variation with temperature must be kept in consideration in order to assure the minimum amount of capacitance at all times.

7.5 Inhibit input operation

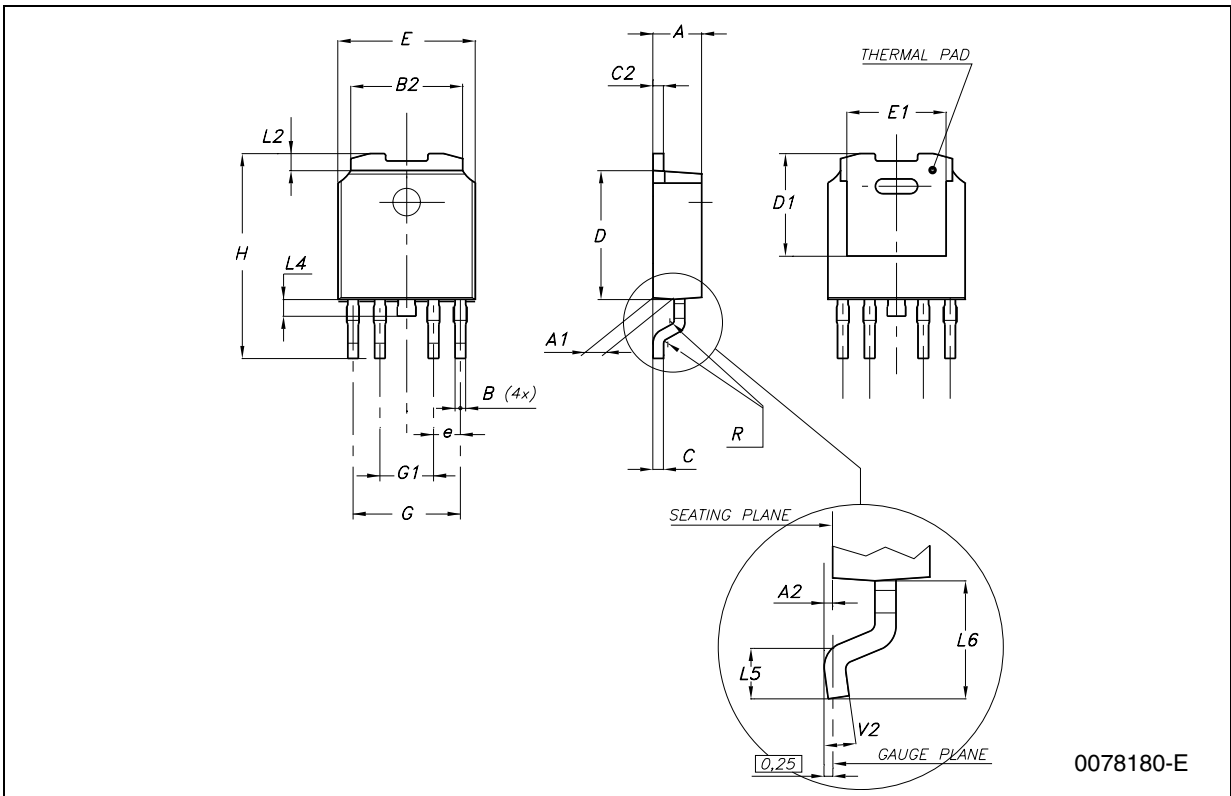
The inhibit pin can be used to turn OFF the regulator when pulled down, so drastically reducing the current consumption down to less than 1 μ A. When the inhibit feature is not used, this pin must be tied to V_I to keep the regulator output ON at all times. To assure proper operation, the signal source used to drive the inhibit pin must be able to swing above and below the specified thresholds listed in the electrical characteristics section (V_{IH} V_{IL}). The inhibit pin must not be left floating because it is not internally pulled down/up.

8 Package mechanical data

In order to meet environmental requirements, ST offers these devices in ECOPACK[®] packages. These packages have a Lead-free second level interconnect. The category of second Level Interconnect is marked on the package and on the inner box label, in compliance with JEDEC Standard JESD97. The maximum ratings related to soldering conditions are also marked on the inner box label. ECOPACK is an ST trademark. ECOPACK specifications are available at: www.st.com.

PPAK MECHANICAL DATA

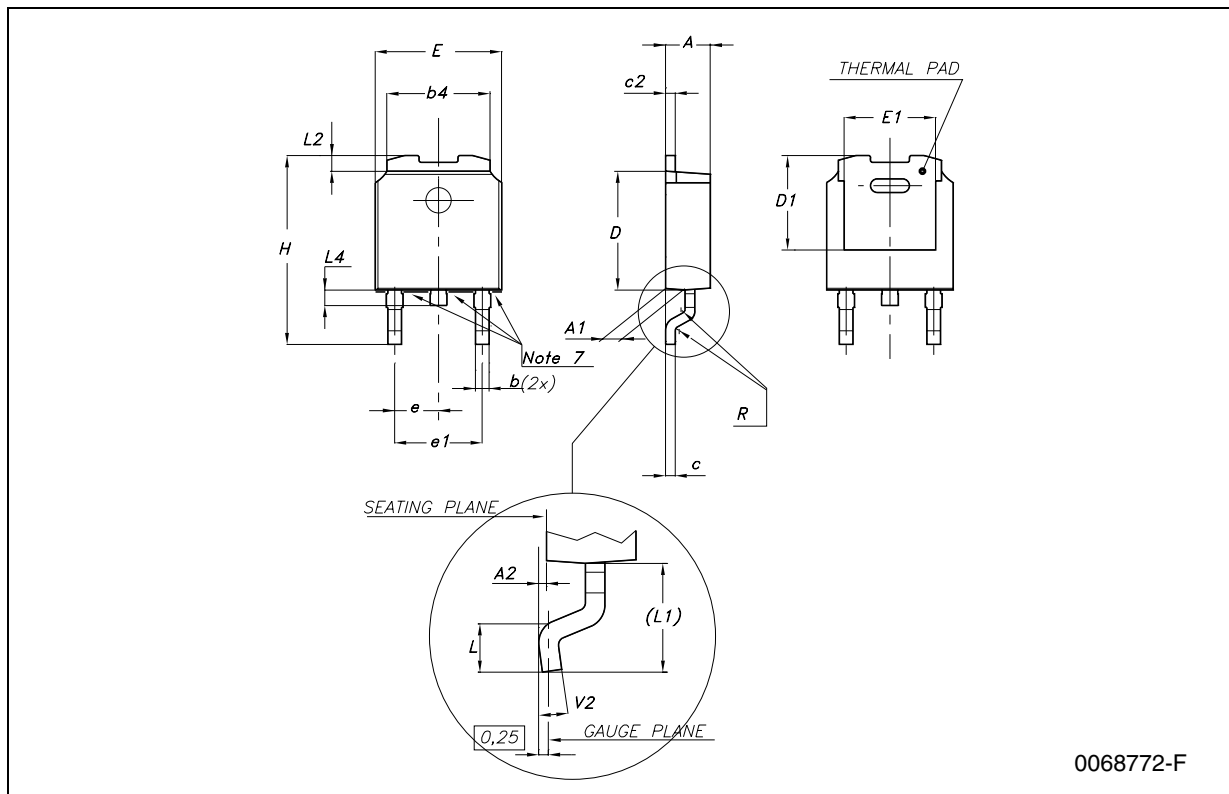
DIM.	mm.			inch		
	MIN.	TYP	MAX.	MIN.	TYP.	MAX.
A	2.2		2.4	0.086		0.094
A1	0.9		1.1	0.035		0.043
A2	0.03		0.23	0.001		0.009
B	0.4		0.6	0.015		0.023
B2	5.2		5.4	0.204		0.212
C	0.45		0.6	0.017		0.023
C2	0.48		0.6	0.019		0.023
D	6		6.2	0.236		0.244
D1		5.1			0.201	
E	6.4		6.6	0.252		0.260
E1		4.7			0.185	
e		1.27			0.050	
G	4.9		5.25	0.193		0.206
G1	2.38		2.7	0.093		0.106
H	9.35		10.1	0.368		0.397
L2		0.8	1		0.031	0.039
L4	0.6		1	0.023		0.039
L5	1			0.039		
L6		2.8			0.110	



0078180-E

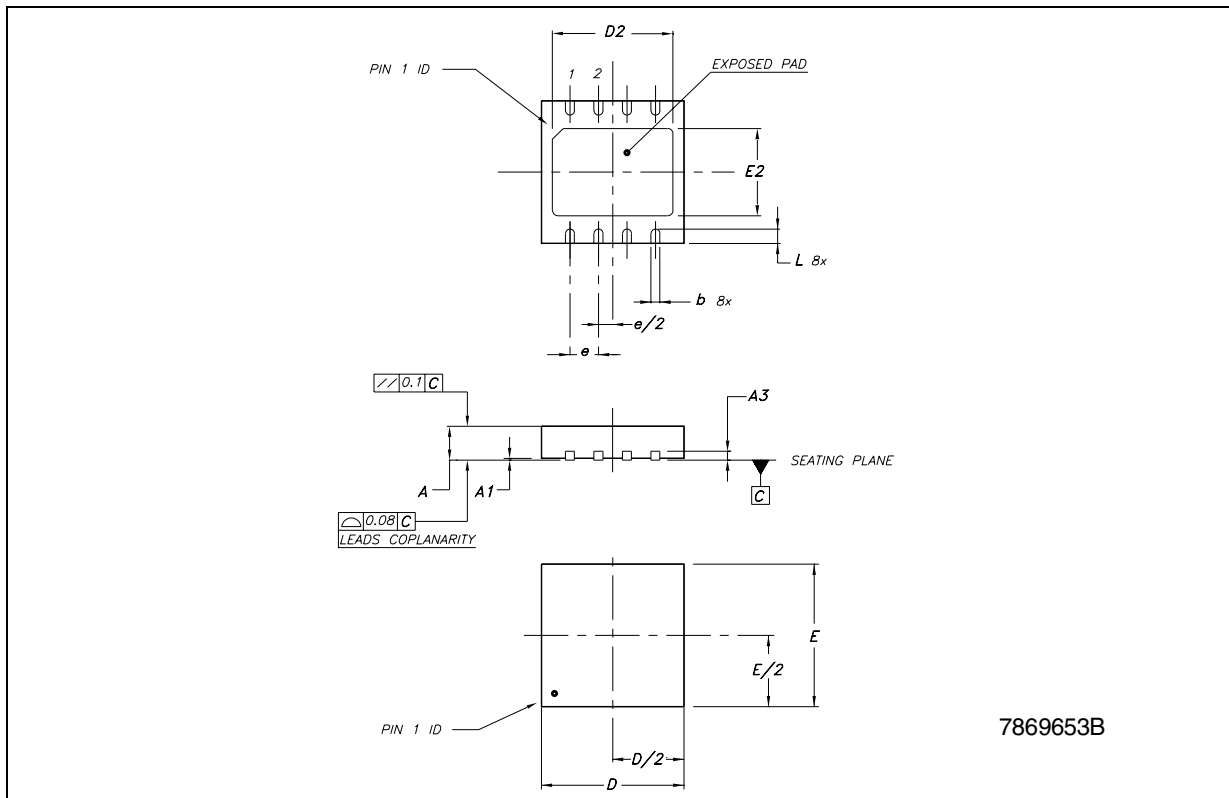
DPAK MECHANICAL DATA

DIM.	mm.			inch		
	MIN.	TYP	MAX.	MIN.	TYP.	MAX.
A	2.2		2.4	0.086		0.094
A1	0.9		1.1	0.035		0.043
A2	0.03		0.23	0.001		0.009
B	0.64		0.9	0.025		0.035
b4	5.2		5.4	0.204		0.212
C	0.45		0.6	0.017		0.023
C2	0.48		0.6	0.019		0.023
D	6		6.2	0.236		0.244
D1		5.1			0.200	
E	6.4		6.6	0.252		0.260
E1		4.7			0.185	
e		2.28			0.090	
e1	4.4		4.6	0.173		0.181
H	9.35		10.1	0.368		0.397
L	1			0.039		
(L1)		2.8			0.110	
L2		0.8			0.031	
L4	0.6		1	0.023		0.039



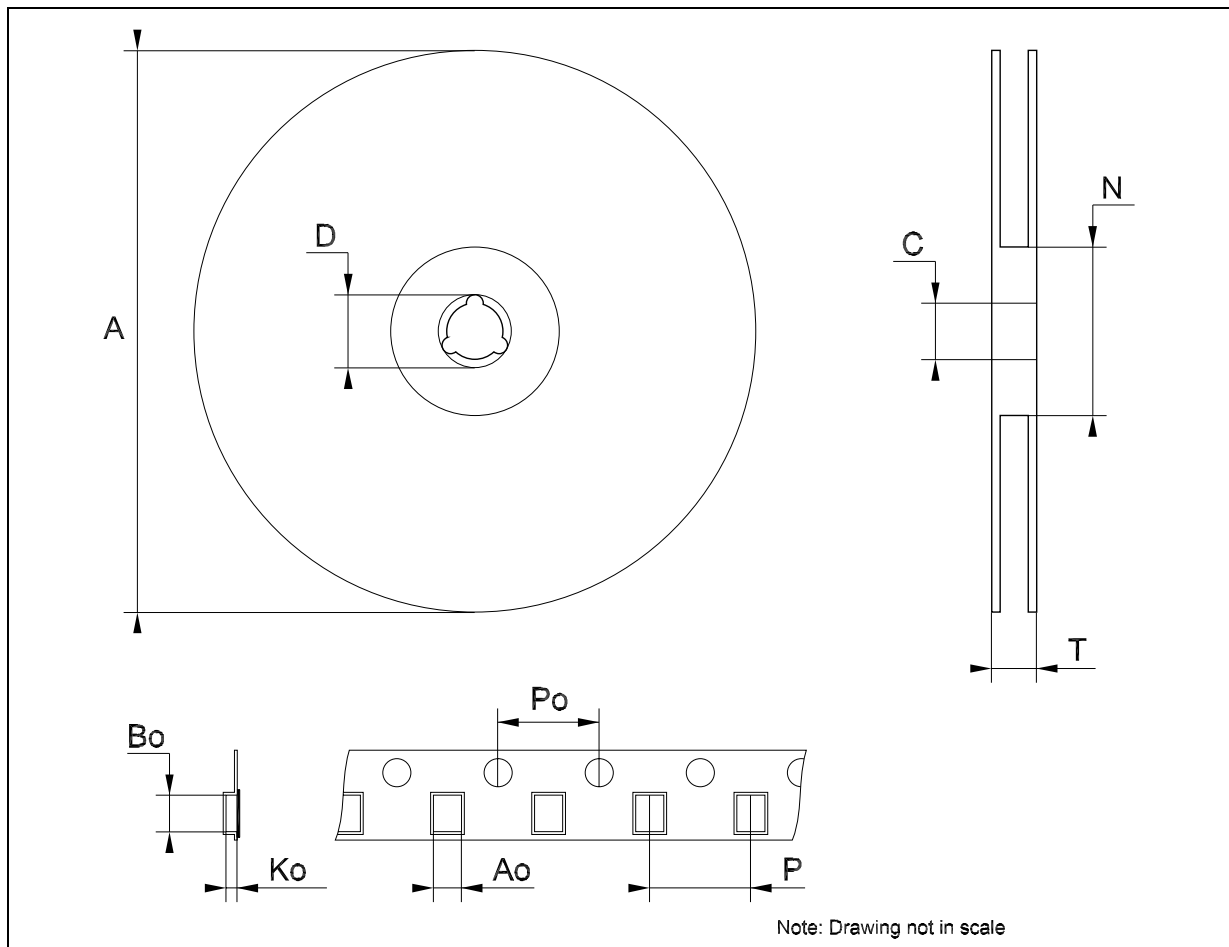
DFN8 (4x4) MECHANICAL DATA

DIM.	mm.			inch		
	MIN.	TYP	MAX.	MIN.	TYP.	MAX.
A	0.80	0.90	1.00	0.031	0.035	0.039
A1	0	0.02	0.05	0	0.001	0.002
A3		0.20			0.008	
b	0.23	0.30	0.38	0.009	0.012	0.015
D	3.90	4.00	4.10	0.154	0.157	0.161
D2	2.82	3.00	3.23	0.111	0.118	0.127
E	3.90	4.00	4.10	0.154	0.157	0.161
E2	2.05	2.20	2.30	0.081	0.087	0.091
e		0.80			0.031	
L	0.40	0.50	0.60	0.016	0.020	0.024



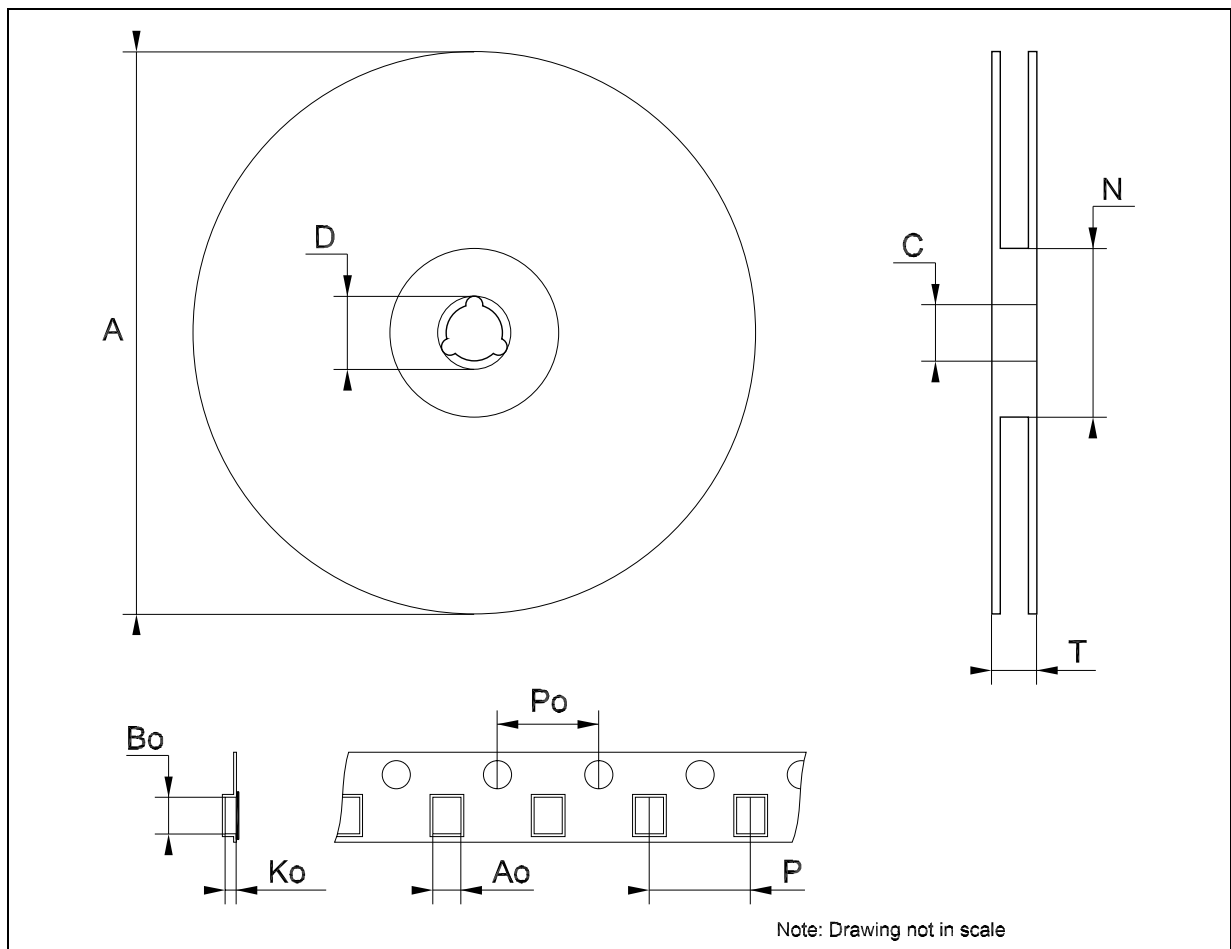
Tape & Reel DPAK-PPAK MECHANICAL DATA

DIM.	mm.			inch		
	MIN.	TYP	MAX.	MIN.	TYP.	MAX.
A			330			12.992
C	12.8	13.0	13.2	0.504	0.512	0.519
D	20.2			0.795		
N	60			2.362		
T			22.4			0.882
Ao	6.80	6.90	7.00	0.268	0.272	0.276
Bo	10.40	10.50	10.60	0.409	0.413	0.417
Ko	2.55	2.65	2.75	0.100	0.104	0.105
Po	3.9	4.0	4.1	0.153	0.157	0.161
P	7.9	8.0	8.1	0.311	0.315	0.319



Tape & Reel QFNxx/DFNxx (4x4) MECHANICAL DATA

DIM.	mm.			inch		
	MIN.	TYP	MAX.	MIN.	TYP.	MAX.
A			330			12.992
C	12.8		13.2	0.504		0.519
D	20.2			0.795		
N	99		101	3.898		3.976
T			14.4			0.567
Ao		4.35			0.171	
Bo		4.35			0.171	
Ko		1.1			0.043	
Po		4			0.157	
P		8			0.315	



9 Revision history

Table 5. Revision history

Date	Revision	Changes
26-Jan-2007	1	Initial release.

Please Read Carefully:

Information in this document is provided solely in connection with ST products. STMicroelectronics NV and its subsidiaries ("ST") reserve the right to make changes, corrections, modifications or improvements, to this document, and the products and services described herein at any time, without notice.

All ST products are sold pursuant to ST's terms and conditions of sale.

Purchasers are solely responsible for the choice, selection and use of the ST products and services described herein, and ST assumes no liability whatsoever relating to the choice, selection or use of the ST products and services described herein.

No license, express or implied, by estoppel or otherwise, to any intellectual property rights is granted under this document. If any part of this document refers to any third party products or services it shall not be deemed a license grant by ST for the use of such third party products or services, or any intellectual property contained therein or considered as a warranty covering the use in any manner whatsoever of such third party products or services or any intellectual property contained therein.

UNLESS OTHERWISE SET FORTH IN ST'S TERMS AND CONDITIONS OF SALE ST DISCLAIMS ANY EXPRESS OR IMPLIED WARRANTY WITH RESPECT TO THE USE AND/OR SALE OF ST PRODUCTS INCLUDING WITHOUT LIMITATION IMPLIED WARRANTIES OF MERCHANTABILITY, FITNESS FOR A PARTICULAR PURPOSE (AND THEIR EQUIVALENTS UNDER THE LAWS OF ANY JURISDICTION), OR INFRINGEMENT OF ANY PATENT, COPYRIGHT OR OTHER INTELLECTUAL PROPERTY RIGHT.

UNLESS EXPRESSLY APPROVED IN WRITING BY AN AUTHORIZED ST REPRESENTATIVE, ST PRODUCTS ARE NOT RECOMMENDED, AUTHORIZED OR WARRANTED FOR USE IN MILITARY, AIR CRAFT, SPACE, LIFE SAVING, OR LIFE SUSTAINING APPLICATIONS, NOR IN PRODUCTS OR SYSTEMS WHERE FAILURE OR MALFUNCTION MAY RESULT IN PERSONAL INJURY, DEATH, OR SEVERE PROPERTY OR ENVIRONMENTAL DAMAGE. ST PRODUCTS WHICH ARE NOT SPECIFIED AS "AUTOMOTIVE GRADE" MAY ONLY BE USED IN AUTOMOTIVE APPLICATIONS AT USER'S OWN RISK.

Resale of ST products with provisions different from the statements and/or technical features set forth in this document shall immediately void any warranty granted by ST for the ST product or service described herein and shall not create or extend in any manner whatsoever, any liability of ST.

ST and the ST logo are trademarks or registered trademarks of ST in various countries.

Information in this document supersedes and replaces all information previously supplied.

The ST logo is a registered trademark of STMicroelectronics. All other names are the property of their respective owners.

© 2007 STMicroelectronics - All rights reserved

STMicroelectronics group of companies

Australia - Belgium - Brazil - Canada - China - Czech Republic - Finland - France - Germany - Hong Kong - India - Israel - Italy - Japan - Malaysia - Malta - Morocco - Singapore - Spain - Sweden - Switzerland - United Kingdom - United States of America

www.st.com