

Single-port Gigabit Transceiver with RGMII Support

Description

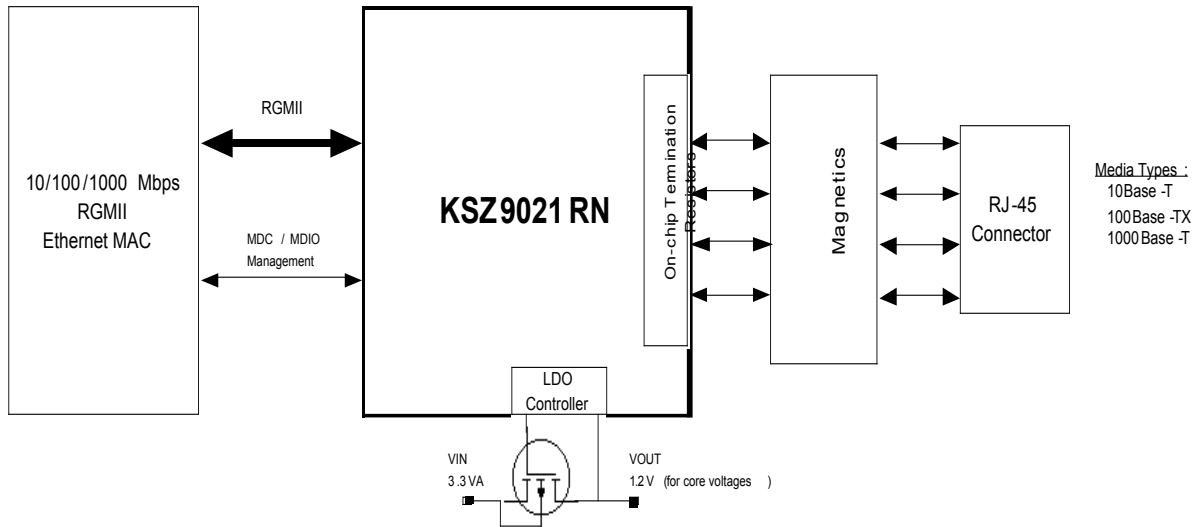
The KSZ9021RN is a single-port 10/100/1000Base-T Gigabit transceiver in industry's smallest footprint, supporting data transfer over standard CAT-5 unshielded twisted pair cable. This device offers robust performance and low power consumption. On-chip integration of termination resistors and LDO controller, along with built-in diagnostic features, significantly reduces the cost and the complexity of Gigabit Ethernet applications. This device is ideal for enabling Gigabit Ethernet performance in SOHO and SMB networking applications, such as SOHO media center, wired/wireless Gigabit SOHO/SMB router, and VoIP gateway.

The KSZ9021GN provides the Reduced Gigabit Media Independent Interface (RGMII) for direct connection to RGMII MACs in Gigabit Ethernet Processors and Switches for data transfer at 1000 Mbps speed.

The device is available in industry's smallest package, RoHS-compliant 48-pin QFN package. Industrial grade is also available.

The datasheet and support documentation can be found on Micrel's web site at: www.micrel.com.

Functional Diagram



Features	Benefits
RGMII MAC interface	Standard compliant MAC interface supports direct connection to RGMII MACs in Ethernet processors and switches at 10/100/1000 Mbps data speeds.
Integration of termination resistors on the chip	On-chip termination (eliminating 8 external resistors) not only simplifies PCB design and reduces system BOM, but also improves overall signal integrity and EMI emission.
Integration of a LDO controller on the chip	Integration of a LDO controller permits a low cost MOSFET to supply the 1.2V core, which reduces board cost and simplifies board layout.
LinkMD [®] TDR-based cable diagnostics	Built-in LinkMD [®] diagnostics helps identification of common cabling problems, including those not addressed by IEEE. It simplifies network deployment and reduces network downtime.
Automatic MDI/MDIX crossover for IEEE 802.3 and EIA/TIA 568 standards at all speeds of operation	Auto-MDI/MDIX eliminates the need for cross-over cable, thus reduces installation costs. Easy to use.
Integrated 125MHz reference clock	125MHz clock output to the MAC eliminates external 125MHz oscillator and lowers the Bill Of Materials cost.

Applications

- SOHO Media Center
- Voice-over-Internet Protocol (VoIP) Gateway
- Network Attached Storage
- Laser Printers and Projectors
- Wired/wireless Gigabit SOHO/SMB Router Media Converter
- VPN/Firewall based SMB/SME Router
- Gigabit Ethernet LAN on Motherboard
- Integrated Broadband CPE (ADSL/VDSL/FTTH) Router

Corporate Sales Offices

Location	Address	Telephone	Fax	
Corporate HQ	2180 Fortune Dr.	San Jose, CA 95131 USA	(408) 944-0800	(408) 474-1000
Western USA	2180 Fortune Dr.	San Jose, CA 95131 USA	(408) 944-0800	(408) 474-1000
Central USA	2425 N. Central Expressway, Suite 351	Richardson, TX 57080 USA	(972) 393-2533	(408) 474-1210
Eastern USA	93 Branch St.	Medford, NJ 08055 USA	(609) 654-0078	(609) 654-0989
Latin America	2425 N. Central Expressway, Suite 351	Richardson, TX 57080 USA	(972) 393-2533	(408) 474-1210
China	No. 2001 & 2002, 20/F, Excellence Times Plaza 4068 Yitian Rd., Futian District Rd.	Shenzhen 518048, P.R. China	+86-755-8302-7618	+86-755-8302-7637
Japan	Queen's Tower A 14F, 2-3-1, Minato Mirai, Nishi-Ku, Yokohama-Shi	Kanagawa 220-6014, Japan	+81-45-224-6616	+81-45-224-6716
Korea	4F Manzo 2 Bldg, 198-47, Gungnae-Dong, Bundang-Ku	Seongnam-City, Kyungki-do, 463-470, Korea	82 (2) 538-2380	82 (2) 538-2381
Singapore/India	750A Beach Rd., #07-324 The Plaza	Singapore 199591	+65-6291-1318	+65-6291-1332
Taiwan	4F, No. 43 Lane 188, Rueiguang Rd., Neihu District	Taipei, Taiwan, R.O.C.	+866 (2) 8751-0600	+866 (2) 8751-0746
France/Southern Europe	Les Laurentides Immeuble Ontario, 3 avenue du Quebec	91140 Villebon sur Yvette, France	+33 (0) 1.6092.4190	+33 (0) 1.6092.4189
UK/EMEA	1 st Floor, 3 Lockside Place, Mill Lane, Newbury, Berks	United Kingdom RG14 5QS	+44 (1635) 524455	+44 (1635) 524466

