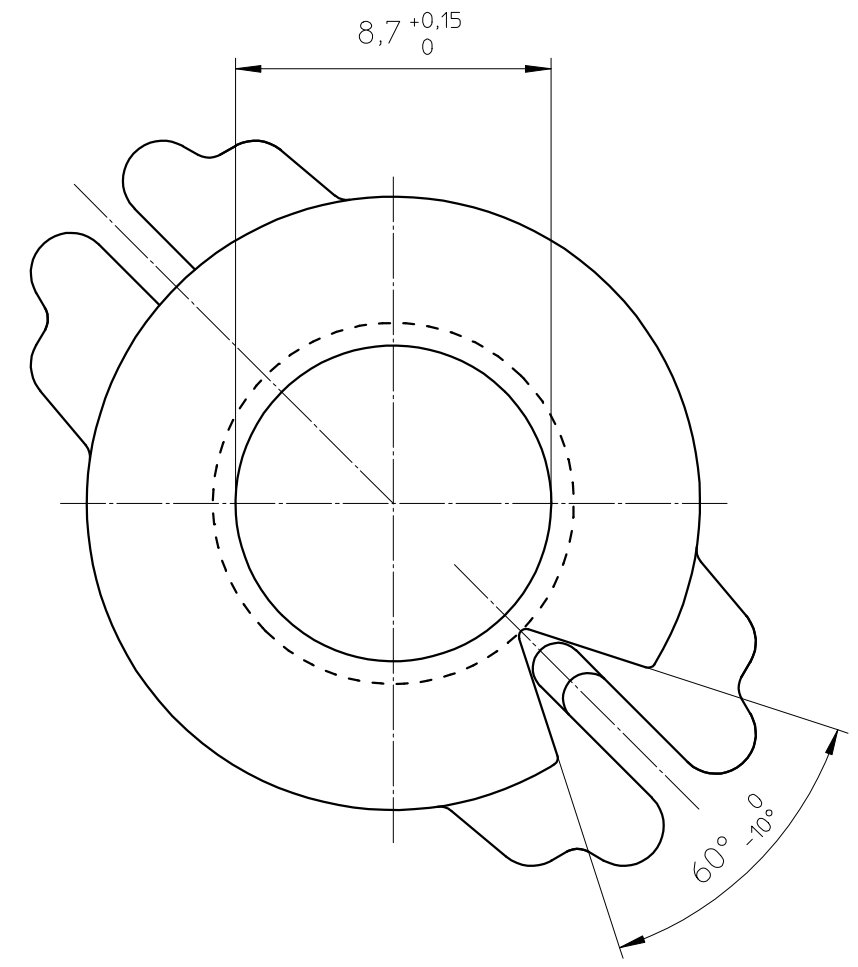
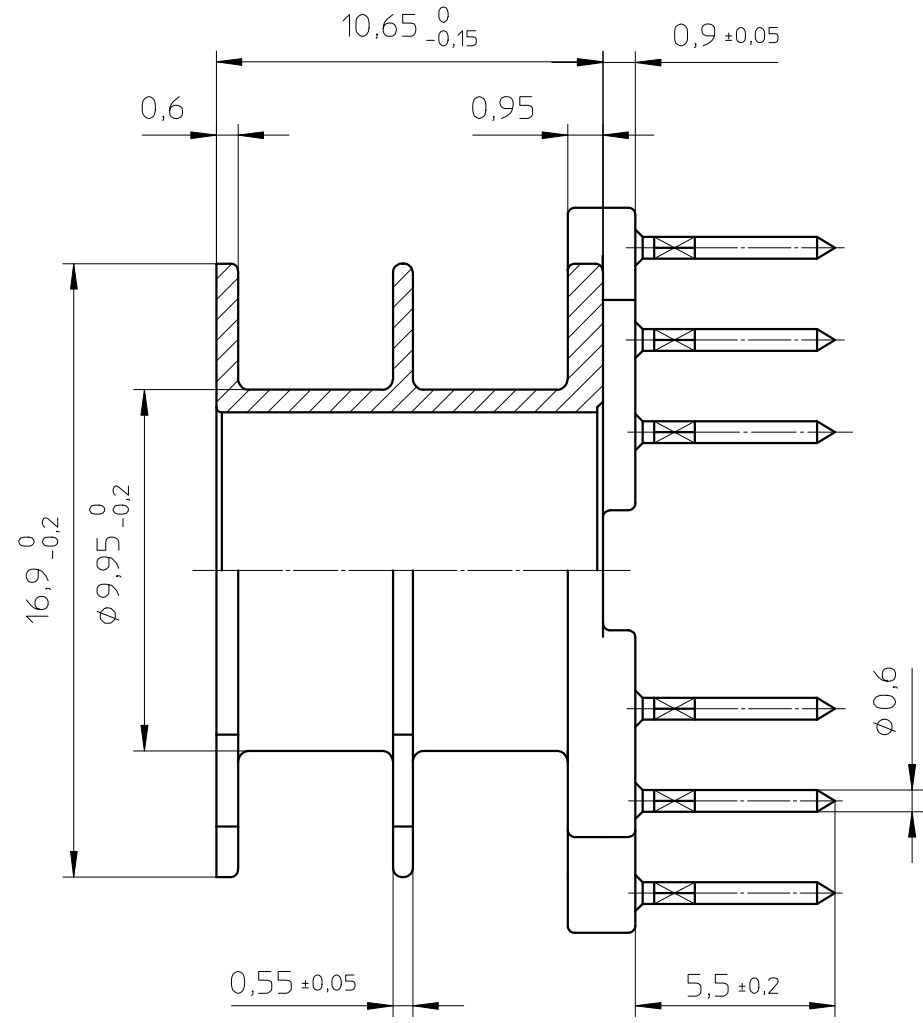
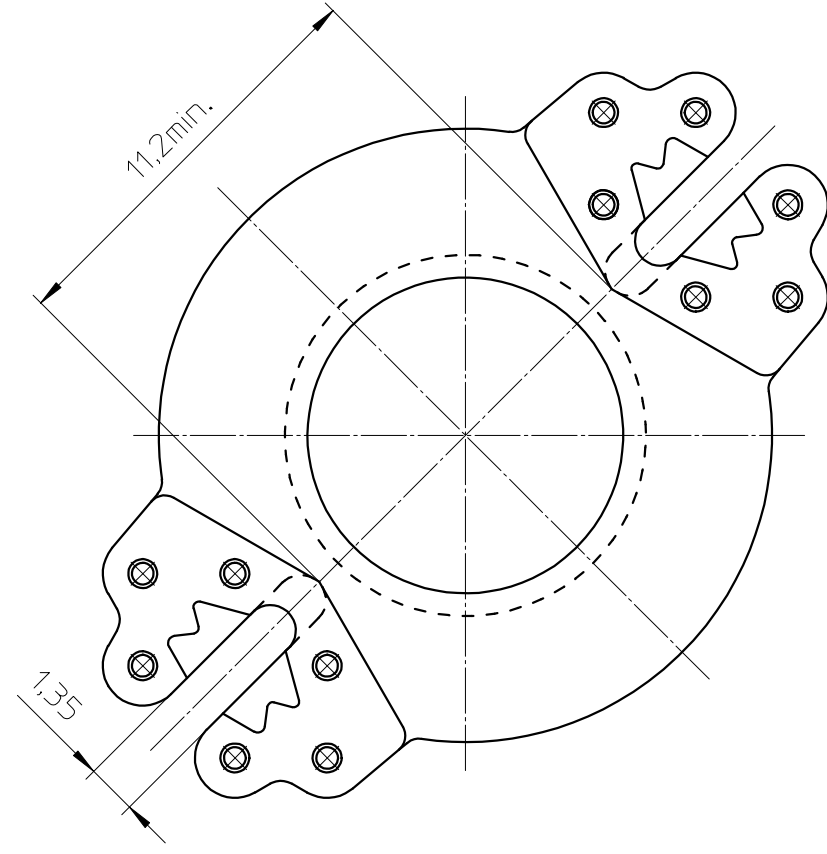
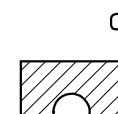
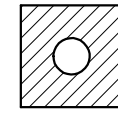
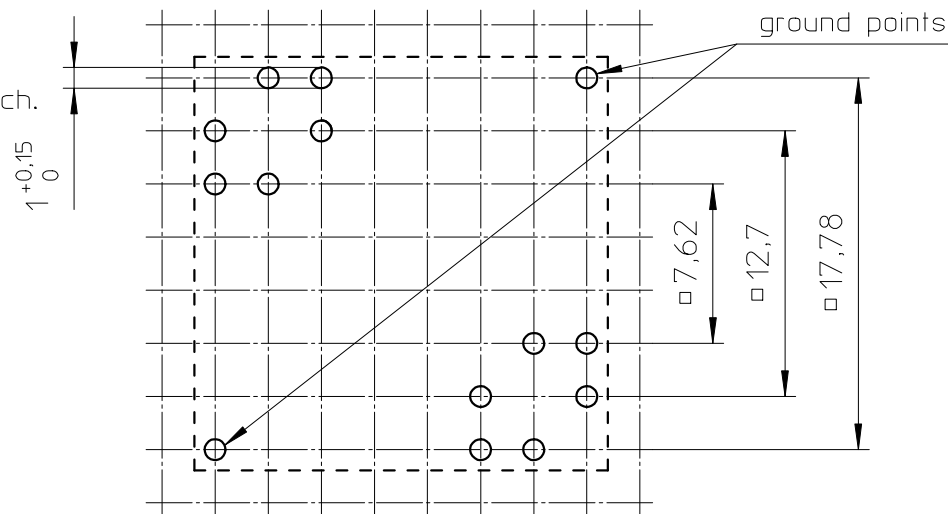


FERROXCUBE



HOLE PATTERN:

Space requirement 8x8 pitch.



Coil former material:

Bakelite UP 3420 (UP), glass-reinforced.

Pin material:

UL file number: E61040 - UL94V-0.

Max. operating temp.:

CuSn - Ni flash, Sn plated.

Resistance to soldering heat:

acc. to IEC 60 085 class F, 155°C.

Solderability:

acc. to IEC 60 068-2-20 Part 2, Test Tb, method 1B, 350°C - 3,5sec.

Min. winding area:

acc. to IEC 60 068-2-20 Part 2, Test Ta, method 1, 235°C - 2sec.

Mean length of turn:

30 mm².

42 mm.

CLASS.NO.	89-12-15		CSV-RM8-2S-12P		4322 021 34711		05-09-01	
							04-09-28	
							90-05-16	
							97-04-18	
							00-05-02	
NAME NAAM	M.Veekens		SUPERS. VERV.	1	SH BL.	112 - 001	010	A3
MPA	CHECK CONTR.	DAT.	89-03-15	Property of Eigendom van		© FERROXCUBE 2000		