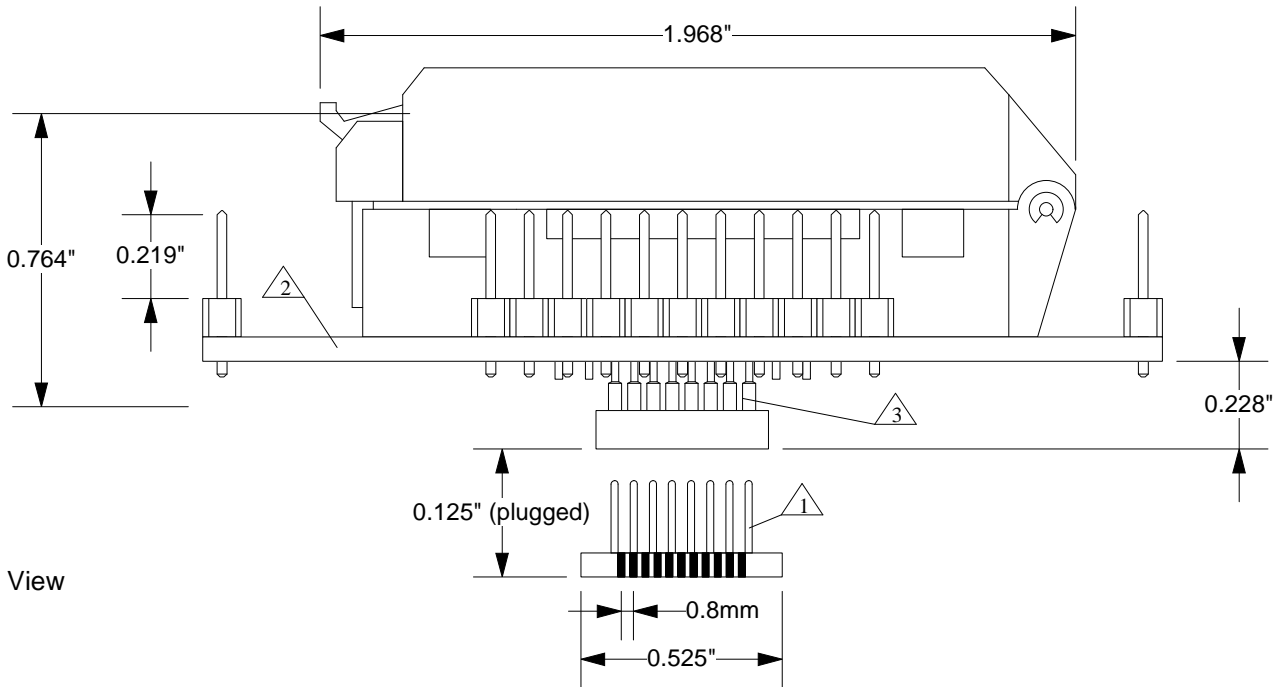


Top View




Side View

- △1 Substrate: 0.0625"±0.007" FR4/G10 or equivalent high temp material. 1/2 oz. Cu clad. SnPb plating
- △2 Pins: Material- Brass Alloy 360 1/2 hard; finish- 10µ" Au over 50µ" Ni (min.).
- △3 Pins: shell material- Brass Alloy 360 1/2 hard; finish- 10µ" Au over 50µ" Ni (min.). Contact material- BeCu; finish 10µ" Au over 100µ" Ni (min.).

Description: QFP CARRIER ADAPTOR

44 position (0.8mm pitch) QFP Zero Insertion Force socket with test points to 44 position surface mountable QFP emulator foot. The foot is designed to replace a 44 pin 0.8mm pitch device. The 2 piece adaptor interconnects via a gold plated (0.05" center) Mini-grid socket interface.

All tolerances: ±0.005" (unless stated otherwise). Materials and specifications are subject to change without notice.

CA-QFE44SB-L-Z-T-01 Drawing		Status: released	Scale: 2:1	Rev: B
 <p>© 1996 IRONWOOD ELECTRONICS, INC. PO BOX 21151 ST. PAUL, MN 55121 Tele: (651) 452-8100 www.ironwoodelectronics.com</p>	Drawing: K. Krawza		Date: 11/13/96	
	File: CA-QFE044SB-L-Z-T-01 Dwg		Modified: 5/8/97, MT	