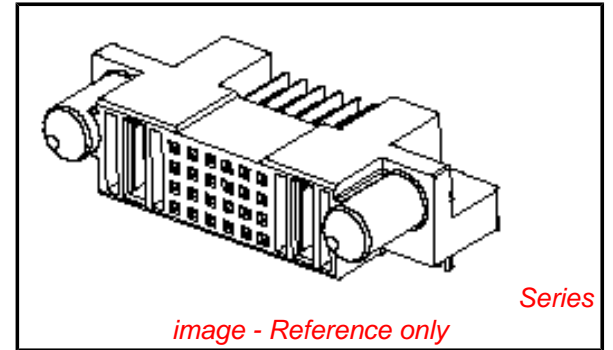


**PLEASE CHECK WWW.MOLEX.COM FOR LATEST PART INFORMATION**

**Part Number:** [0876071001](#)  
**Status:** **Active**  
**Overview:** [extreme powerplus ssi](#)  
**Description:** 6.35mm (.250") Pitch, Power, 2.54mm (.100") Pitch, Signal, EXTreme PowerPlus™ (SSI) DPS Receptacle, Through Hole, Right Angle, with Beveled Metal Pins, 26 Circuits, Power Beta 1, Signal 24, Power Alpha 1, Lead-free

**Documents:**

[3D Model](#) [Product Specification PS-87606-002 \(PDF\)](#)  
[Drawing \(PDF\)](#) [RoHS Certificate of Compliance \(PDF\)](#)



**General**

Product Family	PCB Receptacles
Series	<a href="#">87607</a>
Application	Board-to-Board
Comments	Standard Power Blade Position: A1, B1
Overview	<a href="#">extreme powerplus ssi</a>
Product Name	EXTreme PowerPlus™

**Physical**

Circuits (Loaded)	26
Circuits Detail	Power Beta 1, Signal 24, Power Alpha 1
Color - Resin	Black
Durability (mating cycles max)	100
Glow-Wire Compliant	No
Guide to Mating Part	Yes
Lock to Mating Part	None
Material - Metal	High Performance Alloy (HPA), Phosphor Bronze
Material - Plating Mating	Gold
Material - Plating Termination	Tin
Material - Resin	High Temperature Thermoplastic
Number of Rows	4
Orientation	Right Angle
PC Tail Length (in)	0.137 In
PC Tail Length (mm)	3.49 mm
PCB Locator	No
PCB Retention	Yes
PCB Thickness Recommended (in)	0.093 In
PCB Thickness Recommended (mm)	2.40 mm
Packaging Type	Tray
Pitch - Mating Interface (in)	0.100 In, 0.250 In
Pitch - Mating Interface (mm)	2.54 mm, 6.35 mm
Plating min: Mating (µin)	30.4
Plating min: Mating (µm)	0.76
Plating min: Termination (µin)	101.6
Plating min: Termination (µm)	2.54
Polarized to Mating Part	Yes
Polarized to PCB	Yes
Surface Mount Compatible (SMC)	No
Temperature Range - Operating	-20°C to +105°C
Termination Interface: Style	Through Hole

**Electrical**

Current - Maximum per Contact	2.5A, 30A
Voltage - Maximum	50V

**EU RoHS**

**ELV and RoHS Compliant**  
**REACH SVHC**  
 Not Reviewed  
**Halogen-Free Status**  
**Halogen-Free**

**China RoHS**



**Need more information on product environmental compliance?**

Email [productcompliance@molex.com](mailto:productcompliance@molex.com)  
 For a multiple part number RoHS Certificate of Compliance, [click here](#)

Please visit the [Contact Us](#) section for any non-product compliance questions.

**Search Parts in this Series**

[87607Series](#)

**Mates With**

[87606](#) EXTreme PowerPlus™ (SSI) DPS Header

**Solder Process Data**

Duration at Max. Process Temperature (seconds)	10
Lead-free Process Capability	SMC & Wave Capable (TH only)
Max. Cycles at Max. Process Temperature	3
Process Temperature max. C	260

**Material Info****Reference - Drawing Numbers**

Application Specification	AS-87631-018
Product Specification	PS-87606-002
Sales Drawing	SD-87607-014

This document was generated on 05/21/2010

**PLEASE CHECK [WWW.MOLEX.COM](http://WWW.MOLEX.COM) FOR LATEST PART INFORMATION**

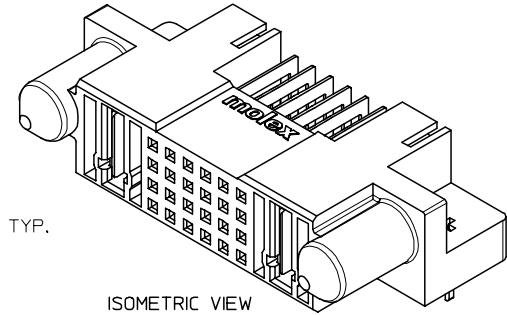
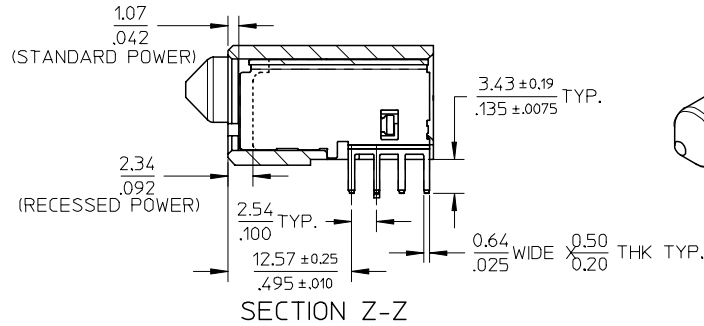
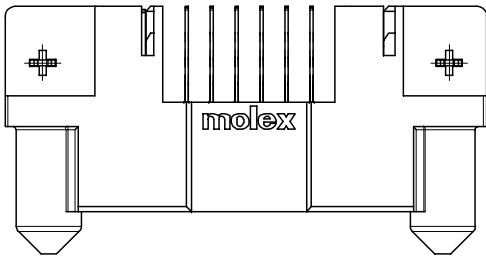
10 9 8 7 6 5 4 3 2 1

F

F

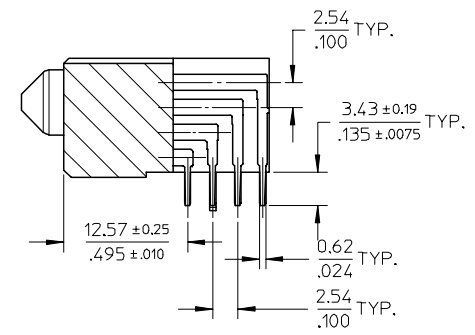
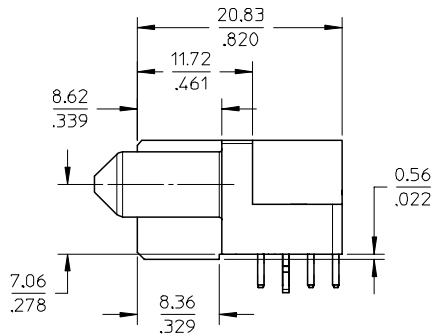
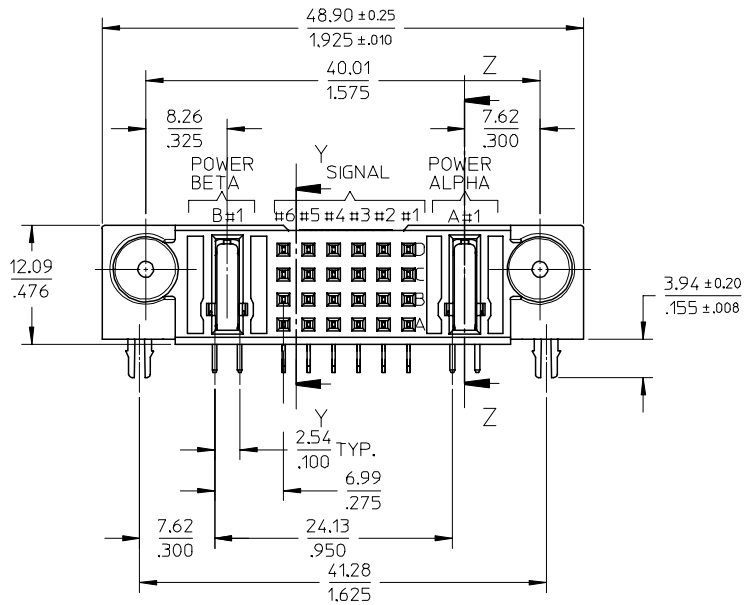
E

E



D

D



B

B

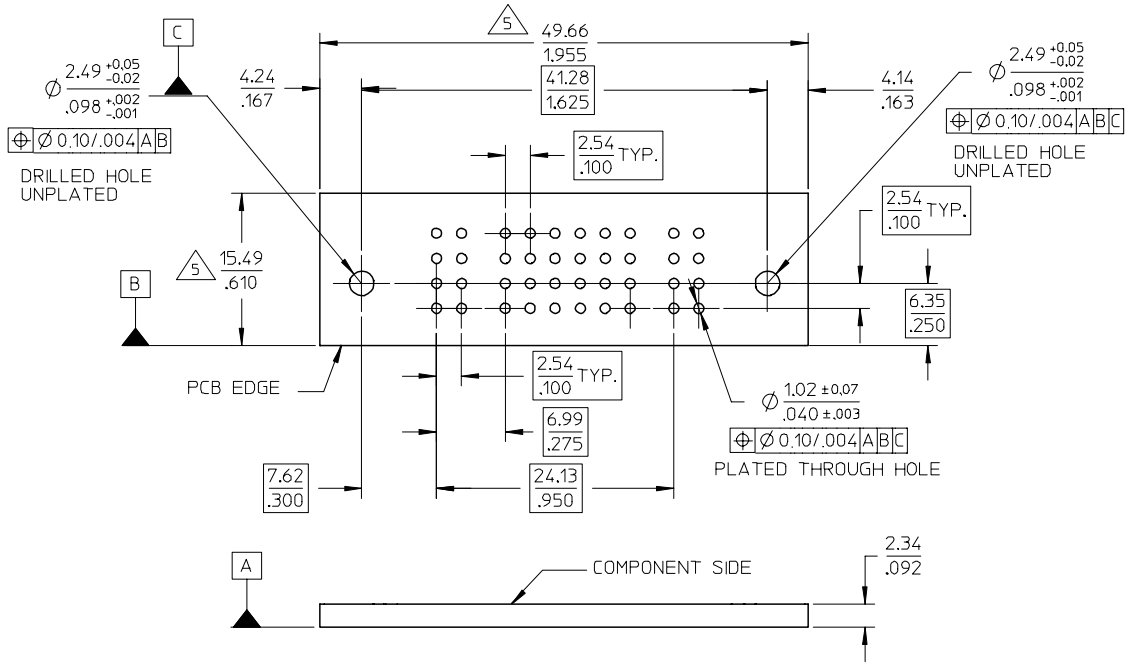
A

A

OBS TIN/LEAD P/N EC NO: S2006-0994 DRWN:MLONG CHKD:CGOH APPR:PTLIM	REV DESCRIPTION	QUALITY SYMBOLS	GENERAL TOLERANCES (UNLESS SPECIFIED)	DIMENSION STYLE	SCALE	DESIGN UNITS	THIRD ANGLE PROJECTION	
		▽=0	mm INCH	MM/IN	NTS	METRIC		
		∇=0	4 PLACES ± --- ± ---	DRAWN BY DATE	TITLE	ASSEMBLY, DPS PWR CONN. P-S-P CONFIG., RECEPT. R/A, T/H, BOARD-LOCK		
			3 PLACES ± --- ± .005	CHECKED BY DATE	MOLEX INCORPORATED			
		2 PLACES ± 0.13 ± .010	APPROVED BY DATE	DOCUMENT NO. SHEET NO.				
		1 PLACE ± 0.25 ± ---	SKTOH DATE	SD-87607-014 1 OF 2				
		ANGULAR ± 3 °	MATERIAL NO.	SEE TABLE				
		DRAFT WHERE APPLICABLE MUST REMAIN WITHIN DIMENSIONS	SIZE	THIS DRAWING CONTAINS INFORMATION THAT IS PROPRIETARY TO MOLEX INCORPORATED AND SHOULD NOT BE USED WITHOUT WRITTEN PERMISSION				

9 8 7 6 5 4 3 2 1

10	9	8	7	6	5	4	3	2	1
PART NUMBER	STANDARD POWER BLADE LOCATION	RECESS POWER BLADE LOCATION	PART STATUS	PACKAGING					
87607-1001	A#1,B#1	NIL	TOOLED	TRAY					
87607-1021	A#1	B#1							



NOTES:

- MATERIALS : HOUSING - LCP, GLASS FILLED, UL94V-0, COLOR: BLACK  
 POWER PINS - COPPER ALLOY  
 SIGNAL PINS - COPPER ALLOY  
 BOARD LOCK - COPPER ALLOY
- FINISHES: POWER AD SIGNAL PINS  
 SELECTIVE GOLD IN THE CONTACT AREA  
 THICKNESS = 0.76 MICROMETER / 30 MICROINCH MINIMUM  
 SELECTIVE TIN ALLOY IN THE PC TAIL AREA  
 THICKNESS = 2.54 MICROMETER / 100 MICROINCH MINIMUM  
 1.27um MINIMUM NICKEL OVERALL UNDERPLATE.
- PRODUCT SPECIFICATIONS : PS-87606-002
- SEE SHEET 2 FOR RECOMMENDED PCB LAYOUT AND THICKNESS
- COMPONENT STAY AWAY ZONE FROM CONNECTOR

OBS TIN/LEAD P/N EC NO: S2006-0994 2006/04/05 DRWN:MLONG 2006/04/05 CHKD:CGOH 2006/04/05 APPR:PTL IM	QUALITY SYMBOLS ▽=0 ▽=0	GENERAL TOLERANCES (UNLESS SPECIFIED)		DIMENSION STYLE		SCALE	DESIGN UNITS	THIRD ANGLE PROJECTION		
				MM/IN		NTS	METRIC			
				DRAWN BY DATE		TITLE		ASSEMBLY, DPS PWR CONN. P-S-P CONFIG., RECEPT. R/A, T/H, BOARD-LOCK		
				KMG0H 2002/12/03						
		CHECKED BY DATE		APPROVED BY DATE		MATERIAL NO.		DOCUMENT NO.		
		PTL IM 2002/12/05		SKT0H 2002/12/05		SD-87607-014		SHEET NO.		
		1 PLACE ±0.25 ±---		ANGULAR ± 3 °		MOLEX INCORPORATED		2 OF 2		
		DRAFT WHERE APPLICABLE MUST REMAIN WITHIN DIMENSIONS		SEE TABLE						
				SIZE A3		THIS DRAWING CONTAINS INFORMATION THAT IS PROPRIETARY TO MOLEX INCORPORATED AND SHOULD NOT BE USED WITHOUT WRITTEN PERMISSION				