

PLEASE CHECK WWW.MOLEX.COM FOR LATEST PART INFORMATION

Part Number: [0767612501](#)
Status: **Active**
Overview: [vhdm_h](#)
Description: 2.00mm (.079") Pitch VHDM® H Board-to-Board Backplane Header, Vertical, 6-Row, Guide Pin, Signal End Module, Open End Version, 150 Circuits, Pin Length 4.75mm (.187"), Tin/Lead

Documents:

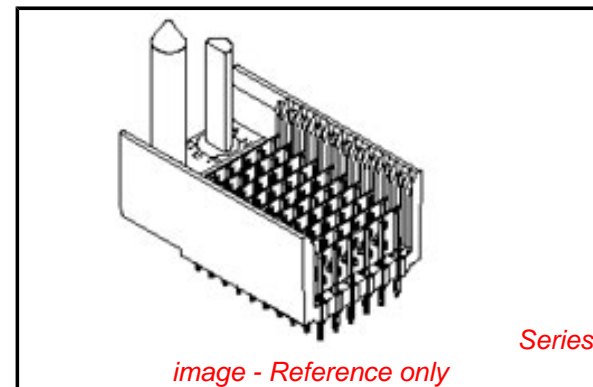
[Drawing \(PDF\)](#) [RoHS Certificate of Compliance \(PDF\)](#)
[Product Specification PS-74031-999 \(PDF\)](#)

General

Product Family	Backplane Connectors
Series	76761
Application	Backplane
Comments	No Keying Position
Component Type	PCB Header
Overview	vhdm_h
Product Name	VHDM® - H Series
Style	N/A

Physical

Circuits (Loaded)	150
Circuits (maximum)	150
Color - Resin	Black
Durability (mating cycles max)	200
First Mate / Last Break	No
Guide to Mating Part	Yes
Keying to Mating Part	None
Material - Metal	Copper Alloy
Material - Plating Mating	Gold
Material - Plating Termination	Tin-Lead
Material - Resin	High Temperature Thermoplastic
Number of Columns	25
Number of Pairs	Open Pin Field
Number of Rows	6
Orientation	Vertical
PC Tail Length (in)	0.072 In
PC Tail Length (mm)	1.83 mm
PCB Locator	No
PCB Retention	None
PCB Thickness Recommended (in)	0.072 In
PCB Thickness Recommended (mm)	1.83 mm
Packaging Type	Tube
Pitch - Mating Interface (in)	0.079 In
Pitch - Mating Interface (mm)	2.00 mm
Pitch - Term. Interface (in)	0.089 In
Pitch - Term. Interface (mm)	2.25 mm
Plating min: Mating (µin)	30
Plating min: Mating (µm)	0.75
Plating min: Termination (µin)	30
Plating min: Termination (µm)	0.75
Polarized to PCB	Yes
Stackable	No
Surface Mount Compatible (SMC)	Yes
Temperature Range - Operating	-55°C to +85°C



EU RoHS

RoHS Compliant by Exemption
REACH SVHC
Contains SVHC: No
Halogen-Free
Status
Halogen-Free

China RoHS



Need more information on product environmental compliance?

Email productcompliance@molex.com
 For a multiple part number RoHS Certificate of Compliance, [click here](#)

Please visit the [Contact Us](#) section for any non-product compliance questions.

Search Parts in this Series

[76761Series](#)

Application Tooling | FAQ

Tooling specifications and manuals are found by selecting the products below. Crimp Height Specifications are then contained in the Application Tooling Specification document.

Global

Description	Product #
VHDM® Signal Pin	0622015700
Inserter Repair Tool	
VHDM® 6 Row Pin and Shield Repair Tool	0622015800
VHDM® 6 Row Shield Extraction Tool	0622016000
VHDM® Insertion Module for Standard Shield Signal Header, 6 Row by	0622020208

Termination Interface: Style

Through Hole - Compliant Pin

25 Wide, 50.00mm
(1.97")

Electrical

Current - Maximum per Contact

1A

Data Rate

6.25 Gbps

Real Signals (per 25mm)

75

Shield Type

Ground Plane Shield

Shielded

Yes

Voltage - Maximum

120V AC (RMS)/DC

Material Info

Reference - Drawing Numbers

Packaging Specification

PK-74058-003

Product Specification

PS-74031-999

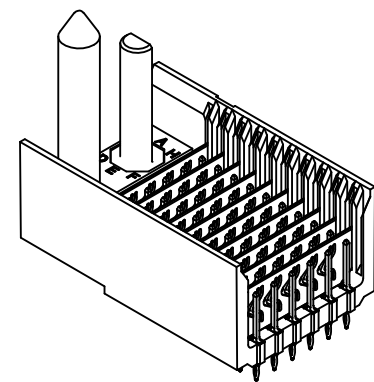
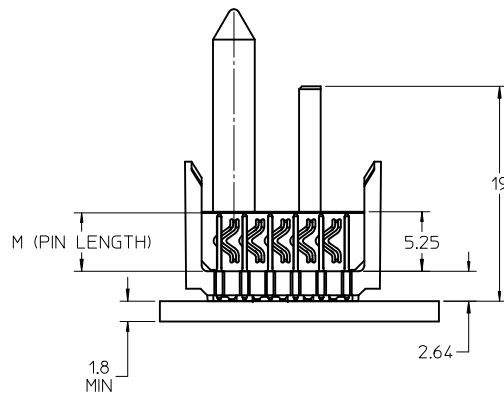
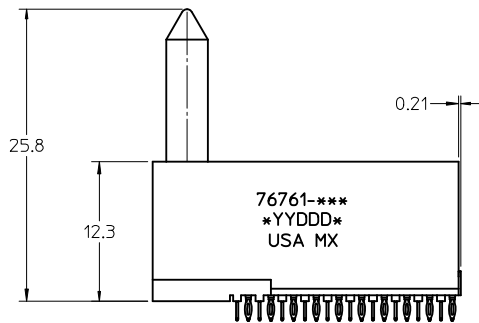
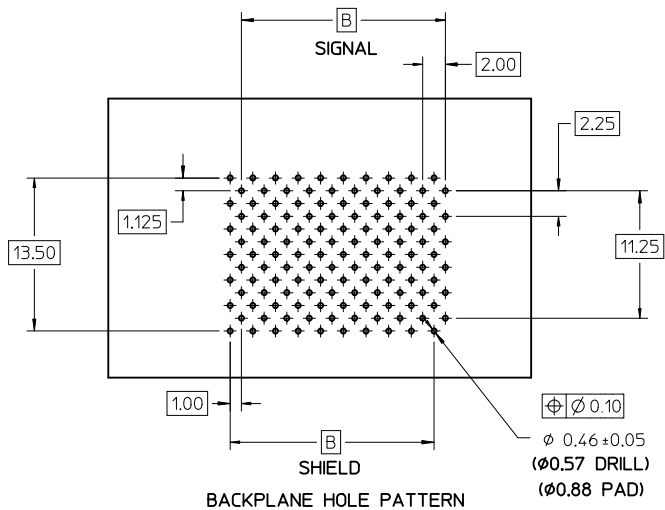
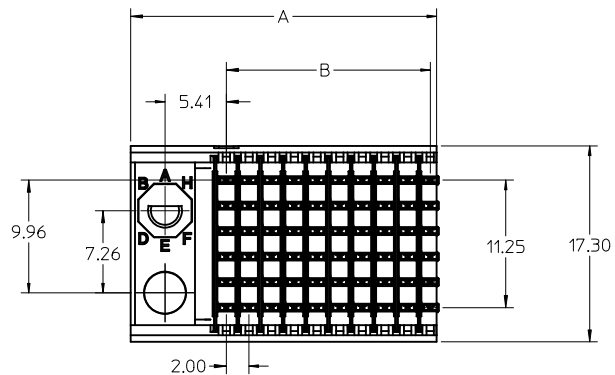
Sales Drawing

SD-76761-001

VHDM and Very High Density Metric are trademarks of Amphenol Corporation

This document was generated on 05/20/2010

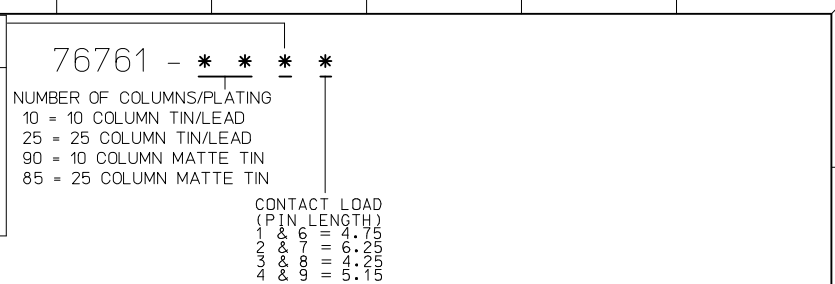
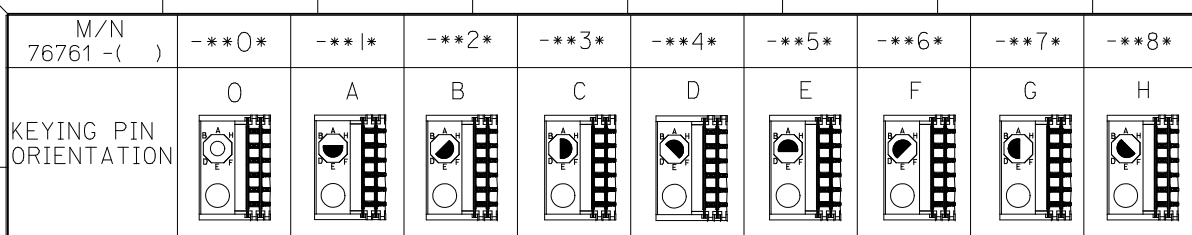
PLEASE CHECK WWW.MOLEX.COM FOR LATEST PART INFORMATION



NOTES:

1. MATERIALS:
HOUSING - LIQUID CRYSTAL POLYMER (LCP)
GLASS FILLED, UL94V-0, BLACK
SIGNAL PIN AND SHIELD - COPPER ALLOY
2. FINISHES:
CONTACT AREA - SELECTIVE GOLD (Au)
PCB TAILS - SELECTIVE TIN/LEAD (SnPb) OR MATTE TIN (Sn)
3. THIS PART CONFORMS TO MOLEX PRODUCT SPECIFICATION PS-74031-999.
4. FOR MIXED CONTACT LENGTH CONTACT MOLEX FOR AVAILABILITY.
5. FOR SPECIFIC MATERIAL NUMBERS AND MATING INFORMATION REFER TO SHEET 2.
6. PACKAGE PER PK-74058-003.
7. ASSEMBLY WILL BE MARKED WITH P/N AND DATE CODE WITH LASER MARK ON SIDE OF HOUSING OR BY LABEL ON THE TUBE.

CORRECT P/NS IN TABLE EC NO: UCP2010-1510 DRWN: J JONIAK 2010/03/05 CHKD: J MELLON 2010/03/09 APPR: S MILLER 2010/03/09	QUALITY SYMBOLS 	GENERAL TOLERANCES (UNLESS SPECIFIED)		DIMENSION STYLE MM ONLY	SCALE 2:1	DESIGN UNITS METRIC	THIRD ANGLE PROJECTION	
				DRAWN BY J JONIAK	DATE 2008/07/09	VHDM H-SERIES 6 ROW BACKPLANE SIGNAL END MOLEX INCORPORATED MOLEX DOCUMENT NO. SD-76761-001 SHEET NO. 1 OF 2		
				CHECKED BY J JONIAK	DATE 2008/07/09			
				APPROVED BY S MILLER	DATE 2010/03/09			
		MATERIAL NO. SEE TABLE						
		DRAFT WHERE APPLICABLE MUST REMAIN WITHIN DIMENSIONS		SIZE C	THIS DRAWING CONTAINS INFORMATION THAT IS PROPRIETARY TO MOLEX INCORPORATED AND SHOULD NOT BE USED WITHOUT WRITTEN PERMISSION			

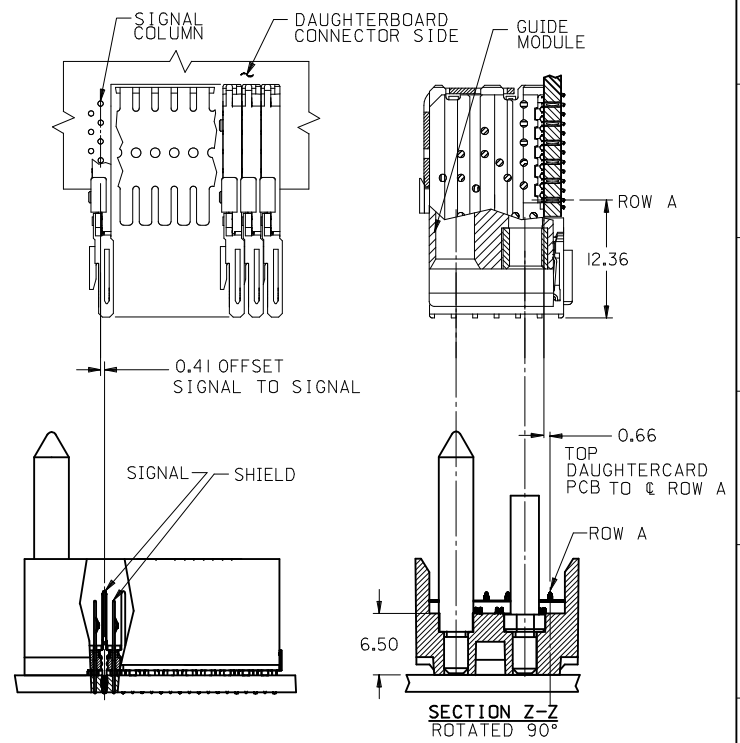


PART NUMBER	COLUMN	NUMBER OF SIGNAL	NUMBER OF PIN	NUMBER OF SHIELD	A	B	M	Au (um) THICKNESS
76761-1001	10	60	10	10	20.00	18.00	4.75	0.76
76761-1006								1.27
76761-2501	25	150	25	25	50.00	48.00	6.25	0.76
76761-2506								1.27
76761-1002	10	60	10	10	20.00	18.00	4.75	0.76
76761-1007								1.27
76761-2502	25	150	25	25	50.00	48.00	6.25	0.76
76761-2507								1.27
76761-1003	10	60	10	10	20.00	18.00	4.25	0.76
76761-1008								1.27
76761-2503	25	150	25	25	50.00	48.00	5.15	0.76
76761-2508								1.27
76761-1004	10	60	10	10	20.00	18.00	5.15	0.76
76761-1009								1.27
76761-2504	25	150	25	25	50.00	48.00	5.15	0.76
76761-2509								1.27

TIN/LEAD CHART

PART NUMBER	COLUMN	NUMBER OF SIGNAL	NUMBER OF PIN	NUMBER OF SHIELD	A	B	M	Au (um) THICKNESS
76761-9001	10	60	10	10	20.00	18.00	4.75	0.76
76761-9006								1.27
76761-8501	25	150	25	25	50.00	48.00	6.25	0.76
76761-8506								1.27
76761-9002	10	60	10	10	20.00	18.00	4.25	0.76
76761-9007								1.27
76761-8502	25	150	25	25	50.00	48.00	5.15	0.76
76761-8507								1.27
76761-9003	10	60	10	10	20.00	18.00	4.25	0.76
76761-9008								1.27
76761-8503	25	150	25	25	50.00	48.00	5.15	0.76
76761-8508								1.27
76761-9004	10	60	10	10	20.00	18.00	5.15	0.76
76761-9009								1.27
76761-8504	25	150	25	25	50.00	48.00	5.15	0.76
76761-8509								1.27

LEAD FREE CHART



CORRECT P/NS IN TABLE EC NO: UCP2010-1510 DRWNG: JONI AK 2010/03/05 CHKD: J. MELTON 2010/03/09 APPR: S. MILLER 2010/03/09	QUALITY SYMBOLS ▽=0 ▽=0	GENERAL TOLERANCES (UNLESS SPECIFIED)		DIMENSION STYLE MM ONLY	SCALE 1:1	DESIGN UNITS METRIC	THIRD ANGLE PROJECTION
		mm	INCH	DRAWN BY JONI AK	DATE 2008/07/09	TITLE VHDM H-SERIES 6 ROW BACKPLANE SIGNAL END	MOLEX INCORPORATED
B	REV	4 PLACES ± --- ± ---	3 PLACES ± --- ± ---	CHECKED BY JONI AK	DATE 2008/07/09	DOCUMENT NO. SD-76761-001	
		2 PLACES ± 0.15 ± ---	1 PLACE ± 0.25 ± ---	APPROVED BY SMILLER	DATE 2010/03/09		
DRAFT WHERE APPLICABLE MUST REMAIN WITHIN DIMENSIONS		ANGULAR ± 1/2°		SEE CHART		THIS DRAWING CONTAINS INFORMATION THAT IS PROPRIETARY TO MOLEX INCORPORATED AND SHOULD NOT BE USED WITHOUT WRITTEN PERMISSION	