

**PLEASE CHECK WWW.MOLEX.COM FOR LATEST PART INFORMATION**

**Part Number:** [0754650105](#)  
**Status:** **Active**  
**Overview:** [gbx\\_backplane\\_connector\\_system](#)  
**Description:** 1.85mm by 1.85mm (.073" by .073") Pitch 4 Pair GbX® Backplane L-Series Connector System, Open Header, 110 Circuits, Gold (Au) 0.76µm (30µ"), Pin Length 5.55mm (.219")

**Documents:**

[Drawing \(PDF\)](#) [RoHS Certificate of Compliance \(PDF\)](#)  
[Product Specification PS-75221-999 \(PDF\)](#)

**Agency Certification**

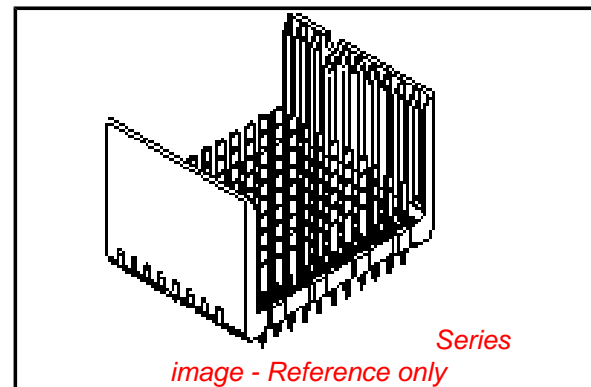
UL E29179

**General**

Product Family Backplane Connectors  
 Series [75465](#)  
 Application Backplane  
 Application Tooling Documents [Tooling Manual](http://www.molex.com/pdm_docs/ats/TM-622022099.pdf)  
 Comments Open Header  
 Component Type PCB Header  
 Overview [gbx\\_backplane\\_connector\\_system](#)  
 Product Name GbX®  
 Style N/A

**Physical**

Circuits (Loaded) 110  
 Circuits (maximum) 110  
 Color - Resin Gray (Dark)  
 Durability (mating cycles max) 250  
 First Mate / Last Break No  
 Flammability 94V-0  
 Guide to Mating Part No  
 Keying to Mating Part None  
 Material - Metal High Performance Alloy (HPA)  
 Material - Plating Mating Gold  
 Material - Plating Termination Tin-Lead  
 Material - Resin High Temperature Thermoplastic  
 Number of Columns 10  
 Number of Pairs 4  
 Number of Rows 11  
 Orientation Vertical  
 PC Tail Length (in) 0.087 In  
 PC Tail Length (mm) 2.20 mm  
 PCB Retention Yes  
 PCB Thickness Recommended (in) 0.062 In  
 PCB Thickness Recommended (mm) 1.60 mm  
 Packaging Type Tray  
 Pitch - Mating Interface (in) 0.073 In  
 Pitch - Mating Interface (mm) 1.85 mm  
 Plating min: Mating (µin) 30  
 Plating min: Mating (µm) 0.76  
 Plating min: Termination (µin) 30  
 Plating min: Termination (µm) 0.76  
 Polarized to PCB Yes



**EU RoHS**

**RoHS Compliant by Exemption**

**REACH SVHC**

Not Reviewed

**Halogen-Free**

**Status**

**Not Reviewed**

**China RoHS**



**Need more information on product environmental compliance?**

Email [productcompliance@molex.com](mailto:productcompliance@molex.com)  
 For a multiple part number RoHS Certificate of Compliance, [click here](#)

Please visit the [Contact Us](#) section for any non-product compliance questions.

**Search Parts in this Series**

[75465Series](#)

**Mates With**

GbX® Daughtercards [75420](#) , [75426](#)

**Application Tooling | FAQ**

*Tooling specifications and manuals are found by selecting the products below. Crimp Height Specifications are then contained in the Application Tooling Specification document.*

**Global**

| Description  | Product #                  |
|--|----------------------------|
| GbX® Backplane 4 Pair By 10 Wide L Series Insertion Tool | <a href="#">0622022025</a> |
| GbX® Single Pin Repair Tool                              | <a href="#">0622022090</a> |

|                                |                              |
|--------------------------------|------------------------------|
| Stackable                      | Yes                          |
| Surface Mount Compatible (SMC) | No                           |
| Temperature Range - Operating  | -55°C to +105°C              |
| Termination Interface: Style   | Through Hole - Compliant Pin |

### **Electrical**

|                               |                  |
|-------------------------------|------------------|
| Current - Maximum per Contact | 1A               |
| Data Rate                     | 8.0 Gbps         |
| Real Signals (per 25mm)       | 149              |
| Voltage - Maximum             | 120V AC (RMS)/DC |

### **Material Info**

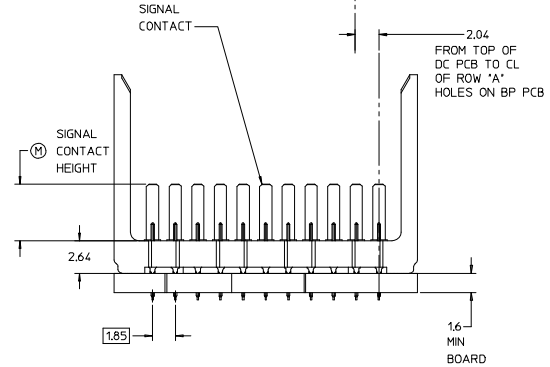
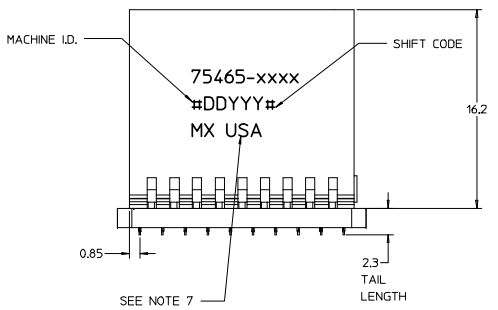
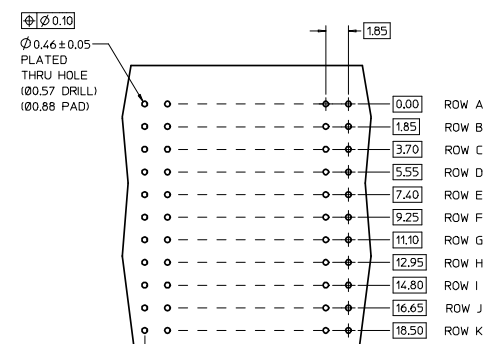
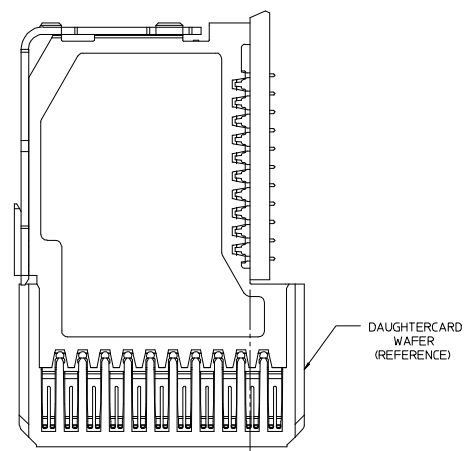
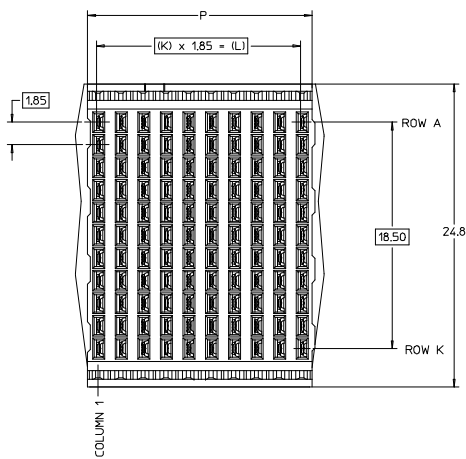
#### **Reference - Drawing Numbers**

|                         |              |
|-------------------------|--------------|
| Packaging Specification | PK-70873-563 |
| Product Specification   | PS-75221-999 |
| Sales Drawing           | SD-75465-010 |

GbX is a registered trademark of Amphenol Corporation.

This document was generated on 05/14/2010

**PLEASE CHECK [WWW.MOLEX.COM](http://WWW.MOLEX.COM) FOR LATEST PART INFORMATION**



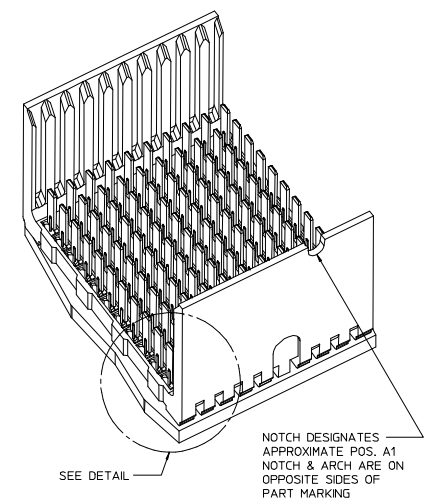
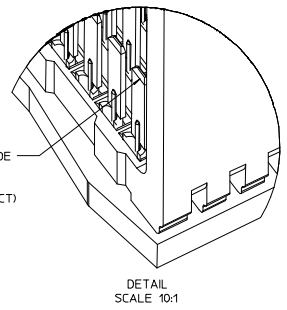
PIN LENGTH DIM 'M'

|   |                  |
|---|------------------|
| 3 | 3.55 mm (30μ Au) |
| 4 | 4.55 mm (30μ Au) |
| 5 | 5.55 mm (30μ Au) |
| 7 | 3.55 mm (50μ Au) |
| 8 | 4.55 mm (50μ Au) |
| 9 | 5.55 mm (50μ Au) |

KEYING POSITION NONE = 0

PART NUMBER TABLE

| ASSY PART NO. | K  | L     | P     | TOTAL NO. OF CONTACTS |
|---------------|----|-------|-------|-----------------------|
| 75465-010*    | 9  | 16.65 | 18.35 | 110                   |
| 75465-020*    | 24 | 44.40 | 46.10 | 275                   |
| 75465-050*    | 4  | 7.40  | 9.10  | 55                    |



- NOTES:
- MATERIAL: HOUSING - LIQUID CRYSTAL POLYMER (LCP) GLASS-FILLED. UL 94V-0. COLOR - GRAY. SIGNAL CONTACT - HIGH PERFORMANCE COPPER ALLOY.
  - FINISHES: SELECTIVE GOLD (Au) ON CONTACT AREA. SELECTIVE TIN/LEAD (Sn/Pb) ON PCB TAILS. NICKEL (Ni) OVERALL.
  - THIS PART CONFORMS TO MOLEX PRODUCT SPECIFICATION PS-75221-999.
  - FOR MIXED CONTACT MATING LENGTHS CONSULT MOLEX FOR AVAILABILITY.
  - 10 COLUMN 4 PAIR L-SERIES SHOWN FOR ILLUSTRATION PURPOSES ONLY.
  - FOR SPECIFIC PART NUMBER AND MATING INFORMATION PLEASE REFER TO CHART.
  - PACKAGE PER PK-70873-563.
  - EITHER MARK PART NUMBER AND DATE CODE APPROXIMATELY WHERE SHOWN OR PLACE A LABEL ON THE TUBE.
  - THIS PART CONFORMS TO MOLEX COSMETIC SPECIFICATION PS-45499-002 CLASS B.

|  |                           |   |  |  |
|--|---------------------------|---|--|--|
| REVISED (MINOR)<br>EC NO: UCP2008-7538<br>DRWN: BINGHAM 2008/04/15<br>CHKD: 2008/04/16<br>APPR: LAURX 2008/04/25 | QUALITY SYMBOLS<br>0<br>0 | GENERAL TOLERANCES (UNLESS SPECIFIED)<br>.mm INCH   | SCALE 5:1<br>DESIGN UNITS METRIC                               | THIRD ANGLE PROJECTION<br>REVISE ON CAD ONLY                                 |
|  |                           | 4 PLACES ± --- ± ---<br>3 PLACES ± --- ± ---<br>2 PLACES ± 0.13 ± ---<br>1 PLACE ± 0.25 ± ---<br>ANGULAR ± ---° | DIMENSION STYLE MM ONLY<br>DRAWN BY DATE<br>NMARTIN 2004/05/13 | TITLE<br>GBX 4-PAIR L-SERIES<br>OPEN END BACKPLANE<br>SALES ASSEMBLY DRAWING |
|  |                           | DRAFT WHERE APPLICABLE<br>MUST REMAIN WITHIN DIMENSIONS   | CHECKED BY DATE<br>SREED 2004/05/13                            | MATERIAL NO. DOCUMENT NO.<br>SEE CHART SD-75465-010                          |
|  |                           | APPROVED BY DATE<br>CBIXLER 2004/05/13  | SHEET NO. 1 OF 1   | MOLEX INCORPORATED   |

THIS DRAWING CONTAINS INFORMATION THAT IS PROPRIETARY TO MOLEX INCORPORATED AND SHOULD NOT BE USED WITHOUT WRITTEN PERMISSION