

● PROFESSIONAL LED INDICATORS Ø25.4mm Mounting

FEATURES



671 SERIES

PACK QUANTITY = 1 PIECE

- Black anodised aluminium housing
- Bi-Polar product fitted with a bridge rectifier for true AC/DC operation
- Sealed to IP67
- Large LED indication
- Specially designed mounting kit to allow 32mm mounting

SPECIFICATION

Ordering Information & Typical Technical Characteristics (Ta = 25°C)

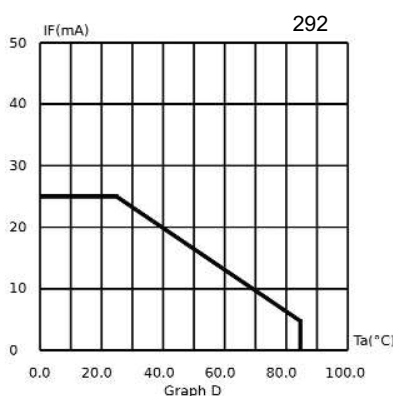
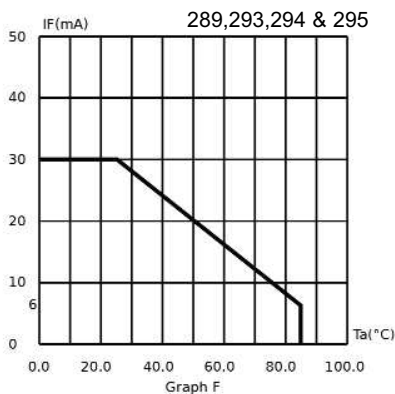
Mean Time Between Failure = 100,000 Hours. Luminous intensity figures refer to the unmodified discrete LED.

PART NUMBER	COLOUR	LENS	VOLTAGE AC/DC Vopr	CURRENT DC (mA) Iopr	LUMINOUS INTENSITY Iv@20mA (mcd)	WAVE LENGTH λp (nm)	OPERATING TEMP Topr	STORAGE TEMP Tstg		
HIGH INTENSITY										
671-289-87-50	Red		Colour Diffused	130	17	400	660	-40 ~ +85^	-40 ~ +85	Yes
671-293-87-50	Yellow		Colour Diffused	130	17	821	588	-40 ~ +85^	-40 ~ +85	Yes
671-292-87-50	Green		Colour Diffused	130	17	200	568	-40 ~ +85^	-40 ~ +85	Yes
671-294-87-50	Blue		Colour Diffused	130	17	19	470	-40 ~ +85^	-40 ~ +85	Yes
671-295-87-50	Cold White		Colour Diffused	130	17	890	*	-40 ~ +85^	-40 ~ +85	Yes
671-295-91-50	Cold White		Colour Diffused	230	10	890	*	-40 ~ +85^	-40 ~ +85	Yes
UNITS			Vac/dc	mA	mcd	nm	°C	°C		



295	*Typical emission colour cold white			
x	0.248	0.391	0.380	0.280
y	0.286	0.436	0.381	0.284

Intensities (Iv) and colour shades of white (x,y co-ordinates) may vary between LEDs within a batch.



^ = Products must be derated according to the derating information. Each derating graph refers to specific LEDs.

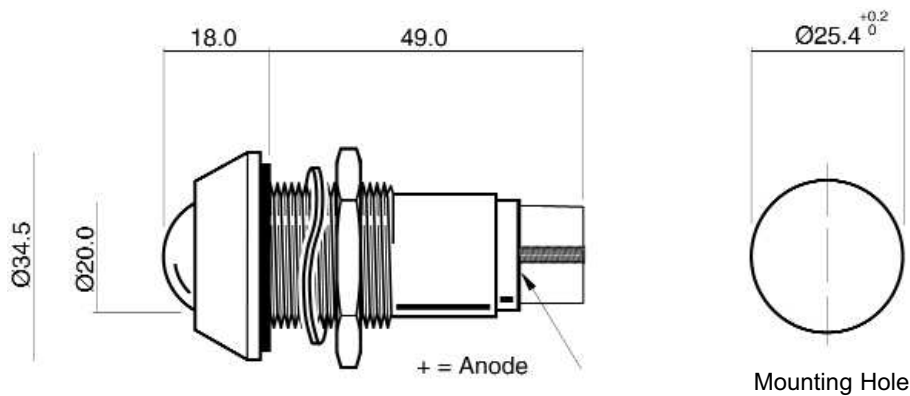
How to Order:

website: www.marl.co.uk • email: sales@marl.co.uk •

• Telephone +44 (0)1229 582430 • Fax: +44 (0)1229 585155

The information contained in this datasheet does not constitute part of any order or contract and should not be regarded as a representation relating to either products or service. Marl International reserve the right to alter without notice the specification or any conditions of supply for products or service.

671 Series



Dimensions in mm (Typical)
Not to scale

Mounting hole to be clean and burr free

MATERIALS

MOUNTING KIT

Body	Black Anodised Aluminium	Part number: 949-000-00 32mm mounting kit and washer which increases the overall mounting diameter of either 671 or 672 series.
Nut	Aluminium	
Panel Seal	Neoprene	
Terminations	Zinc Plated Steel	
Lens	Epoxy	
Encapsulation	PC5430 Resin	
Header	Nylon 66	
Lock Washer	Spring Steel	

TECHNICAL CHARACTERISTICS

SERIES	MAXIMUM POWER DISSIPATION	PANEL CUTOUT	NUT MOUNTING TORQUE	MINIMUM MOUNTING CENTRES	MIN/MAX. PANEL THICKNESS
671	2500	25.4	1.2	x,y = 41.0	2.0-10.0
UNITS	mw		Nm	mm	mm

website: www.marl.co.uk • email: sales@marl.co.uk •

• Telephone +44 (0)1229 582430 • Fax: +44 (0)1229 585155

The information contained in this datasheet does not constitute part of any order or contract and should not be regarded as a representation relating to either products or service. Marl International reserve the right to alter without notice the specification or any conditions of supply for products or service.



BS EN ISO 9001:2000
Approved Manufacturer