

PLEASE CHECK WWW.MOLEX.COM FOR LATEST PART INFORMATION

Part Number: [5015680407](#)
Status: **Active**
Overview: [picoclasp](#)
Description: 1.00mm (.039") Pitch Pico-Clasp™ Wire-to-Board Header, Surface Mount, Single Row, Right Angle, with Friction Lock, 4 Circuits, Lead-free

Documents:

[3D Model](#) [Product Specification PS-501568-001 \(PDF\)](#)
[Drawing \(PDF\)](#) [RoHS Certificate of Compliance \(PDF\)](#)

General

Product Family	PCB Headers
Series	501568
Application	Wire-to-Board
Overview	picoclasp
Product Name	Pico-Clasp™

Physical

Breakaway	No
Circuits (Loaded)	4
Color - Resin	Natural
Durability (mating cycles max)	30
Glow-Wire Compliant	No
Lock to Mating Part	Yes
Material - Metal	Brass, Phosphor Bronze
Material - Plating Mating	Tin
Material - Plating Termination	Tin
Material - Resin	Nylon
Number of Rows	1
Orientation	Right Angle
PCB Locator	No
PCB Retention	Yes
Packaging Type	Embossed Tape on Reel
Pitch - Mating Interface (in)	0.039 In
Pitch - Mating Interface (mm)	1.00 mm
Polarized to Mating Part	Yes
Polarized to PCB	No
Stackable	No
Temperature Range - Operating	-40°C to +85°C
Termination Interface: Style	Surface Mount

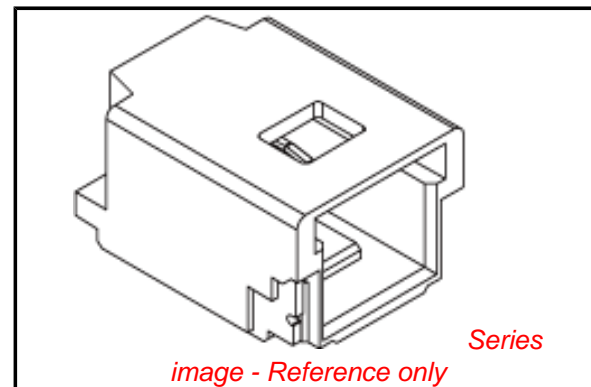
Electrical

Current - Maximum per Contact	1A
Voltage - Maximum	50V AC (RMS)/DC

Material Info

Reference - Drawing Numbers

Packaging Specification	SPK-501568-001
Product Specification	PS-501568-001, RPS-501331-001, RPS-501568-001, RPS-501568-003, RPS-501568-004, RPS-501568-005
Sales Drawing	SD-501568-001, SD-501568-005



EU RoHS

**ELV and RoHS
Compliant**
REACH SVHC
 Not Reviewed
Halogen-Free
Status
Not Reviewed

China RoHS



**Need more information on product
environmental compliance?**

Email productcompliance@molex.com
 For a multiple part number RoHS Certificate of Compliance, [click here](#)

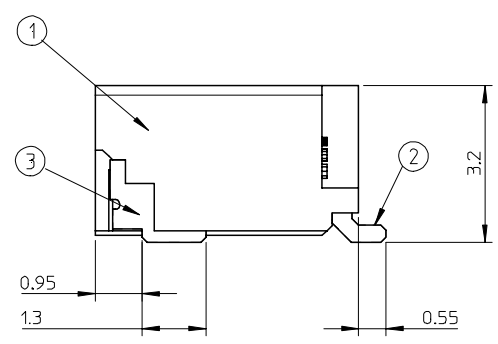
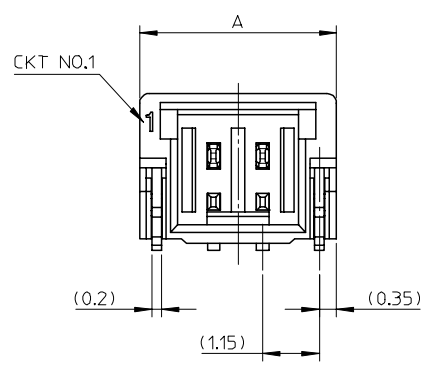
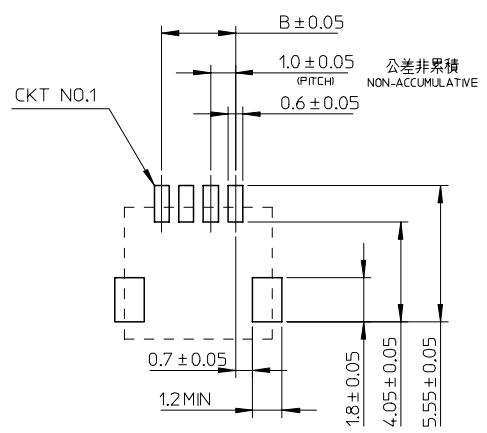
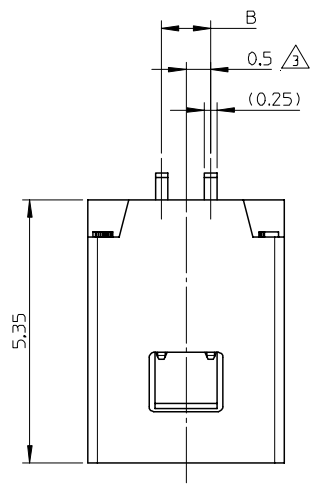
Please visit the [Contact Us](#) section for any non-product compliance questions.

Search Parts in this Series

[501568Series](#)

Mates With

[501330](#) Pico-Clasp™ Wire-to-Board Female Housing



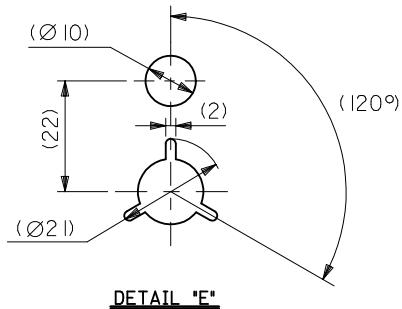
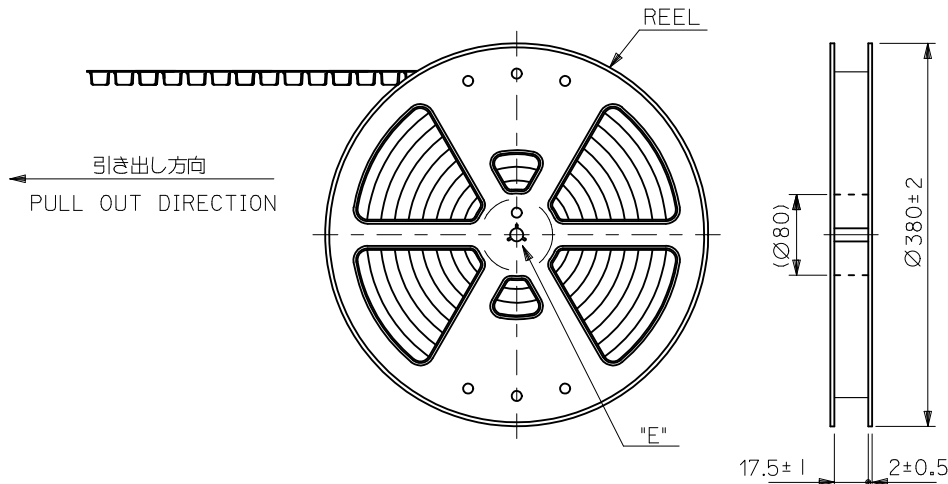
番号 NO.	部品 PART	材質 MATERIAL
①	ウェハー WAFER	耐熱ナイロン、UL94V-0、色：自然色 HEAT RESISTANCE NYLON, UL94V-0, COLOR:NATURAL
②	ソルダーピン SOLDER PIN	リン青銅 PHOSPHOR BRONZE すずメッキ : 1 MICRO METER MINIMUM. TIN PLATING ニッケル下地メッキ : 1 MICRO METER MINIMUM. NICKEL UNDER PLATING
③	ネイル NAIL	黄銅 BRASS すずメッキ : 1 MICRO METER MINIMUM. TIN PLATING ニッケル下地メッキ : 1 MICRO METER MINIMUM. NICKEL UNDER PLATING

4.0	7.0	501568-0509	5	501568-**09
3.0	6.0	501568-0409	4	
2.0	5.0	501568-0309	3	
1.0	4.0	501568-0209	2	
B	A	MATERIAL NO.	CKT	MODEL NO.

NOTES
~~~~~

1. かん合相手 : 501330-\*\*\*\*  
MATE WITH : 501330-\*\*\*\*
2. ソルダーピン及びネイルの平坦度は0.1MAX.  
SOLDER PIN AND NAIL COPLANARITY TO BE 0.1MAX.
- △ 極数=偶数に適用  
APPLY FOR CKT SIZE=EVEN
4. 6~15極は、SD-501568-002を参照下さい。  
REFER TO SD-501568-002 ABOUT 6-15CKT.

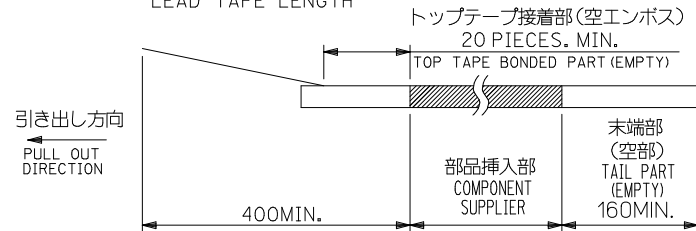
|                                                                                                            |                                          |                                                                                                                                  |                            |                    |                                                                                |                        |                           |
|------------------------------------------------------------------------------------------------------------|------------------------------------------|----------------------------------------------------------------------------------------------------------------------------------|----------------------------|--------------------|--------------------------------------------------------------------------------|------------------------|---------------------------|
| REVISED<br>EC NO: J2008-0220<br>DRW: NABEI 2007/07/25<br>CHK: KYOYODA 2007/07/27<br>APP: NUKITA 2007/07/27 | GENERAL TOLERANCES<br>(UNLESS SPECIFIED) |                                                                                                                                  | DIMENSION STYLE<br>MM ONLY |                    | SCALE<br>10:1                                                                  | DESIGN UNITS<br>METRIC | THIRD ANGLE<br>PROJECTION |
|                                                                                                            | 10 UNDER                                 | ±0.2                                                                                                                             | DRAWN BY<br>AMIZUMURA      | DATE<br>2005/01/19 | TITLE<br>1.0 WIRE TO BOARD CONN.<br>1-ROW R/A WAFER ASSY<br>2-5CKT -LEAD FREE- |                        |                           |
|                                                                                                            | 10 OVER 30 UNDER                         | ±0.25                                                                                                                            | CHECKED BY<br>MYAGI        | DATE<br>2005/01/19 | MOLEX INCORPORATED                                                             |                        |                           |
|                                                                                                            | 30 OVER                                  | ±0.3                                                                                                                             | APPROVED BY<br>ANODA       | DATE<br>2005/01/19 | DOCUMENT NO.<br>SD-501568-001                                                  |                        |                           |
|                                                                                                            | ANGULAR ±3 °                             | DRAFT WHERE APPLICABLE<br>MUST REMAIN<br>WITHIN DIMENSIONS                                                                       |                            | SEE TABLE          |                                                                                | SHEET NO.<br>1 OF 1    |                           |
|                                                                                                            |                                          | THIS DRAWING CONTAINS INFORMATION THAT IS PROPRIETARY TO MOLEX<br>INCORPORATED AND SHOULD NOT BE USED WITHOUT WRITTEN PERMISSION |                            |                    |                                                                                |                        |                           |



NOTES

- 製品詳細寸法は製品単体図面を参照して下さい。  
FOR DETAIL OF CONNECTOR DIMENSIONS, PLEASE SEE THE DRAWING OF CONNECTOR ITSELF (NOT PACKAGED).
- 梱包数量：1700個/リール  
NUMBER OF CONNECTORS：1700PIECES/REEL

- リードテープ長さ  
LEAD TAPE LENGTH



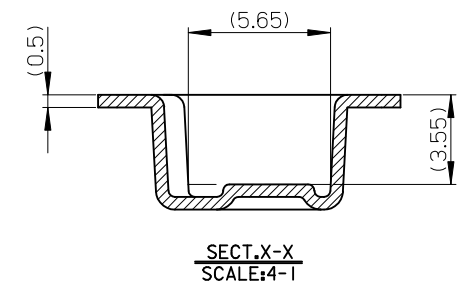
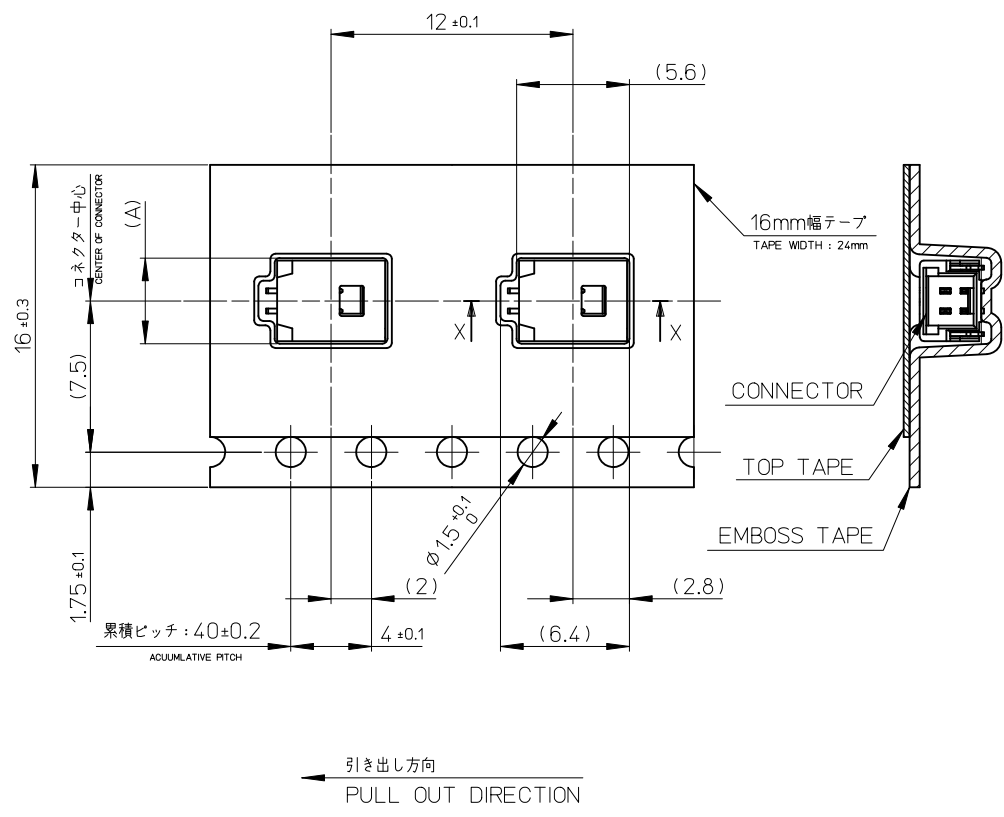
- 材料

MATERIAL  
 キャリアテープ：ポリプロピレン  
 CARRIER TAPE：POLYPROPYLENE  
 トップテープ：PET、PE、REF  
 TOP TAPE  
 リール：ポリスチレン<リサイクル材を含む>  
 REEL：POLYSTYRENE <RECYCLE MATERIAL CONTAINED>

- ELV及びRoHS適合品。  
ELV AND RoHS COMPLIANT.

- 本製品は乾燥剤入り、ハイバリア梱包仕様である。  
(501568-0607~1507以外)  
THIS PRODUCT IS HIGH BARRIER PACKAGE WITH DESICCANT.  
(BESIDES 501568-0607~1507)

|                                                                                                               |                                       |                                                                                                                               |                            |                               |                                                                          |                        |                        |
|---------------------------------------------------------------------------------------------------------------|---------------------------------------|-------------------------------------------------------------------------------------------------------------------------------|----------------------------|-------------------------------|--------------------------------------------------------------------------|------------------------|------------------------|
| REVISED<br>EC NO: J2010-0951<br>DRWN: NITO 2009/12/16<br>CHKD: KASAKAWA 2010/01/05<br>APPR: NUKITA 2010/01/06 | GENERAL TOLERANCES (UNLESS SPECIFIED) |                                                                                                                               | DIMENSION STYLE<br>MM ONLY |                               | SCALE<br>---                                                             | DESIGN UNITS<br>METRIC | THIRD ANGLE PROJECTION |
|                                                                                                               | 10 UNDER                              | ±0.2                                                                                                                          | DRAWN BY<br>AMIZUMURA      | DATE<br>2005/11/26            | TITLE<br>1.0 WIRE TO BOARD CONN.<br>WAFER ASS'Y (1-ROW R/A)<br>EMBTP PKG |                        |                        |
|                                                                                                               | 10 OVER 30 UNDER                      | ±0.25                                                                                                                         | CHECKED BY<br>MYAGI        | DATE<br>2005/11/26            |                                                                          |                        |                        |
|                                                                                                               | 30 OVER                               | ±0.3                                                                                                                          | APPROVED BY<br>ANODA       | DATE<br>2005/11/26            | MOLEX INCORPORATED                                                       |                        |                        |
| ANGULAR ±1 °                                                                                                  |                                       | MATERIAL NO.<br>SEE SHEET 2                                                                                                   |                            | DOCUMENT NO.<br>SD-501568-005 |                                                                          |                        |                        |
| DRAFT WHERE APPLICABLE MUST REMAIN WITHIN DIMENSIONS                                                          |                                       | THIS DRAWING CONTAINS INFORMATION THAT IS PROPRIETARY TO MOLEX INCORPORATED AND SHOULD NOT BE USED WITHOUT WRITTEN PERMISSION |                            |                               |                                                                          |                        |                        |



|     |             |              |       |
|-----|-------------|--------------|-------|
| 7.3 | 501568-0509 | 501568-0507  | 5     |
| 6.3 | 501568-0409 | 501568-0407  | 4     |
| 5.3 | 501568-0309 | 501568-0307  | 3     |
| 4.3 | 501568-0209 | 501568-0207  | 2     |
| (A) | CONNECTOR   | MATERIAL NO. | CKTS. |

|                                                                                                                        |             |                                                                                                                               |                                                      |                            |                               |                                                                                                |                        |                        |  |
|------------------------------------------------------------------------------------------------------------------------|-------------|-------------------------------------------------------------------------------------------------------------------------------|------------------------------------------------------|----------------------------|-------------------------------|------------------------------------------------------------------------------------------------|------------------------|------------------------|--|
| REVISED<br>EC NO: J2010-0951<br>2009/12/16<br>DRWN: NITO<br>CHKD: KASAKAWA<br>2010/01/05<br>APPR: NUKITA<br>2010/01/06 | DESCRIPTION | GENERAL TOLERANCES (UNLESS SPECIFIED)                                                                                         |                                                      | DIMENSION STYLE<br>MM ONLY |                               | SCALE<br>---                                                                                   | DESIGN UNITS<br>METRIC | THIRD ANGLE PROJECTION |  |
|                                                                                                                        |             | 10 UNDER                                                                                                                      | ±0.2                                                 | DRAWN BY<br>AMIZUMURA      | DATE<br>2005/11/26            | TITLE<br>1.0 WIRE TO BOARD CONN.<br>WAFER ASS'Y (1-ROW R/A)<br>EMBTB PKG<br>MOLEX INCORPORATED |                        |                        |  |
|                                                                                                                        |             | 10 OVER 30 UNDER                                                                                                              | ±0.25                                                | CHECKED BY<br>MYAGI        | DATE<br>2005/11/26            |                                                                                                |                        |                        |  |
|                                                                                                                        |             | 30 OVER                                                                                                                       | ±0.3                                                 | APPROVED BY<br>ANODA       | DATE<br>2005/11/26            |                                                                                                |                        |                        |  |
|                                                                                                                        |             | ANGULAR ±3 °                                                                                                                  | DRAFT WHERE APPLICABLE MUST REMAIN WITHIN DIMENSIONS | MATERIAL NO.<br>SEE CHART  | DOCUMENT NO.<br>SD-501568-005 | SHEET NO.<br>2 OF 2                                                                            |                        |                        |  |
|                                                                                                                        |             | THIS DRAWING CONTAINS INFORMATION THAT IS PROPRIETARY TO MOLEX INCORPORATED AND SHOULD NOT BE USED WITHOUT WRITTEN PERMISSION |                                                      |                            |                               |                                                                                                |                        |                        |  |