

**PLEASE CHECK WWW.MOLEX.COM FOR LATEST PART INFORMATION**

**Part Number:** [0355650300](#)  
**Status:** **Active**  
**Description:** 2.29mm (0.090") Housing

**Documents:**

[Drawing \(PDF\)](#) [RoHS Certificate of Compliance \(PDF\)](#)  
[Product Specification PS-35565-001 \(PDF\)](#)

**Agency Certification**

UL E29179

**General**

Product Family Crimp Housings  
 Series [35565](#)  
 Product Name N/A

**Physical**

Breakaway No  
 Circuits (maximum) 3  
 Color - Resin Natural  
 Flammability 94HB  
 Gender Female  
 Glow-Wire Compliant No  
 Keying to Mating Part None  
 Lock to Mating Part None  
 Material - Resin Polyester Alloy  
 Number of Rows 2  
 Packaging Type Bag  
 Panel Mount No  
 Pitch - Mating Interface (in) 0.090 In  
 Pitch - Mating Interface (mm) 2.29 mm  
 Pitch - Term. Interface (in) 0.090 In  
 Pitch - Term. Interface (mm) 2.29 mm  
 Polarized to Mating Part No  
 Ports 1  
 Stackable No  
 Temperature Range - Operating -40°C to +120°C

**Material Info**

**Reference - Drawing Numbers**

Product Specification PS-35565-001  
 Sales Drawing SD-35565-001

**EU RoHS**

**ELV and RoHS  
 Compliant**  
**REACH SVHC  
 Contains SVHC: No**  
**Halogen-Free  
 Status**

**China RoHS**



**Not Halogen-Free**

**Need more information on product  
 environmental compliance?**

Email [productcompliance@molex.com](mailto:productcompliance@molex.com)  
 For a multiple part number RoHS Certificate of  
 Compliance, [click here](#)

Please visit the [Contact Us](#) section for any  
 non-product compliance questions.

**Search Parts in this Series**

[35565Series](#)

**Use With**

35454 MagKrimp™ Pin Cluster Block  
 Connector Terminal

DO NOT SCALE DRAWING  
DIMENSION IN METRIC

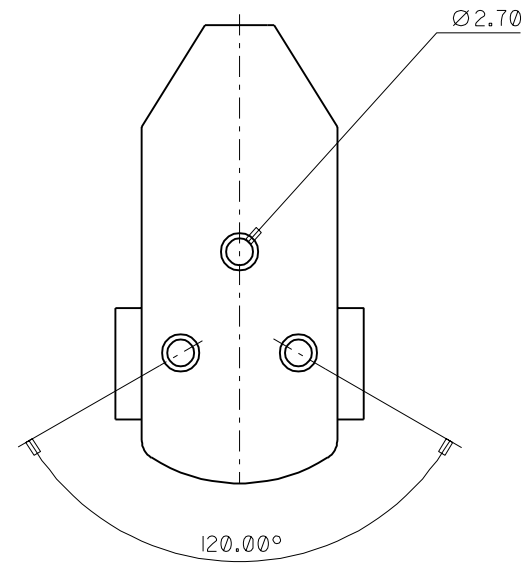
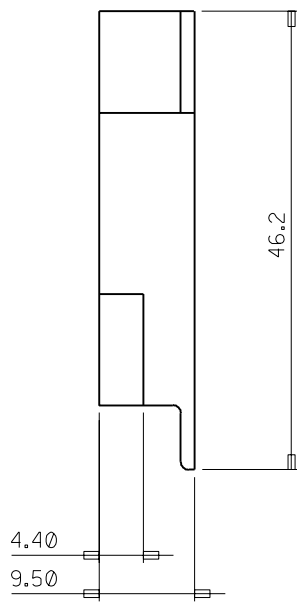
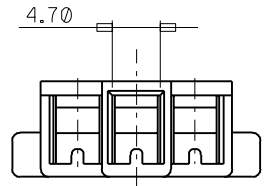
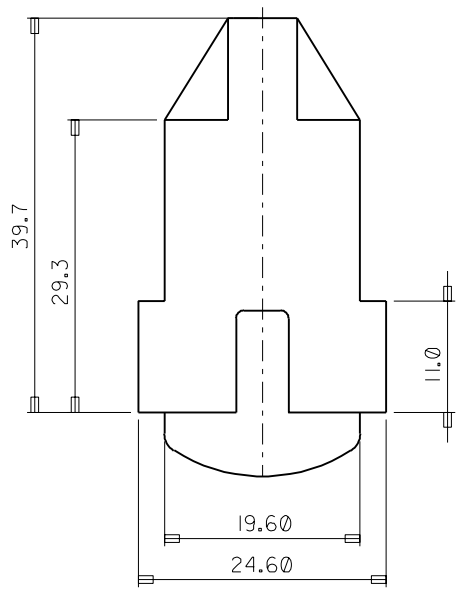
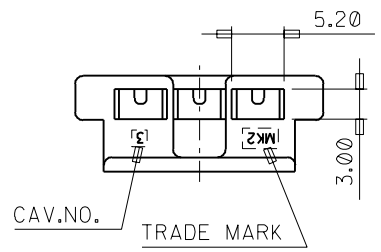
B

C

PROJECT NO.

SIMILAR ITEM

DWG. NO.  
SD-35565-001



NOTES  
 1. MATERIALS : POLYESTER (PBT)  
 COLOR : NATURAL COLOR  
 2. APPLICABLE TERMINAL P/N : 35454-2702  
 35454-2902

| PART NO.   | MATERIAL NO. |
|------------|--------------|
| 35565-0300 | 355650300    |

|   |             |   |   |                 |  |   |  |                     |           |
|---|-------------|---|---|-----------------|--|---|--|---------------------|-----------|
| NEW RELEASED<br>EC NO.<br>DRAWN: W.Y.YANG 02/01/11<br>CHK:<br>APPR: | DESCRIPTION | QUALITY SYMBOLS   | GENERAL TOLERANCES:<br>(UNLESS SPECIFIED) | SCALE<br>2:1    | DESIGN UNITS<br><input checked="" type="checkbox"/> mm <input type="checkbox"/> INCH   | THIRD ANGLE<br>PROJECTION                     | DIMENSIONS:<br><input type="checkbox"/> mm <input type="checkbox"/> INCH <input checked="" type="checkbox"/> mm ONLY | SHT                 | REV       |
|   |             | MAJOR<br>= Ø<br>CRITICAL<br>= C                         | mm  | INCH            | DRAWN BY & DATE<br>W.Y.YANG 99/08/01   | TITLE:<br>COMP HOUSING-3P<br>for 2.29 DIA PIN |  |                     |           |
| A1  | REV         | 4 PLACES  | ±0.                                       | ±.              | CHECKED BY & DATE<br>B.K.CHOI 99/08/01   | MOLEX INCORPORATED                            |  |                     |           |
|   |             | 3 PLACES  | ±0.                                       | ±.              | APPROVED BY & DATE<br>C.W.LEE 99/08/01   |   |  |                     |           |
|   |             | 2 PLACES  | ±0.30                                     | ±.              | CAD FILENAME<br>S35565AA.DGN   | MATERIAL NO.<br>SEE CHART                     | DRAWING NO.<br>SD-35565-001  | SHEET NO.<br>1 OF 1 | SIZE<br>B |
|   |             | 1 PLACE   | ±0.30                                     | ±.              | THIS DRAWING CONTAINS INFORMATION THAT IS PROPRIETARY TO MOLEX INCORPORATED AND SHOULD NOT BE USED WITHOUT WRITTEN PERMISSION. |   |  |                     |           |
|   |             | DRAFT WHERE APPLICABLE MUST<br>REMAIN WITHIN DIMENSIONS |   | ANGULAR: ± 3.0° |  |   |  |                     |           |