

PLEASE CHECK WWW.MOLEX.COM FOR LATEST PART INFORMATION

Part Number: **0194180025**
Status: **Active**
Overview: mx150l sealed connector system
Description: MX150L™ 10 Circuit Receptacle for 14-16 AWG Wire, without CPA

Documents:

[3D Model](#)
[Drawing \(PDF\)](#)
[Packaging Specification \(PDF\)](#)
[Product Specification PS-19417-001 \(PDF\)](#)
[RoHS Certificate of Compliance \(PDF\)](#)

Agency Certification

CSA LR18689
 UL E152602

General

Product Family Crimp Housings
 Series 19418
 Overview mx150l sealed connector system
 Product Literature Order No 987650-2181
 Product Name MX150L™

Physical

Circuits (maximum) 10
 Flammability 94V-0
 Gender Female
 Glow-Wire Compliant No
 Lock to Mating Part Yes
 Number of Rows 2
 Packaging Type Bag
 Panel Mount No
 Pitch - Mating Interface (in) 0.230 In
 Pitch - Mating Interface (mm) 5.84 mm
 Polarized to Mating Part Yes
 Stackable No
 Temperature Range - Operating -40°C to +125°C

Electrical

Current - Maximum per Contact 18A

Material Info

Reference - Drawing Numbers

Application Specification AS-19417-001
 Packaging Specification PK-19418-001
 Product Specification PS-19417-001
 Sales Drawing SD-19418-005

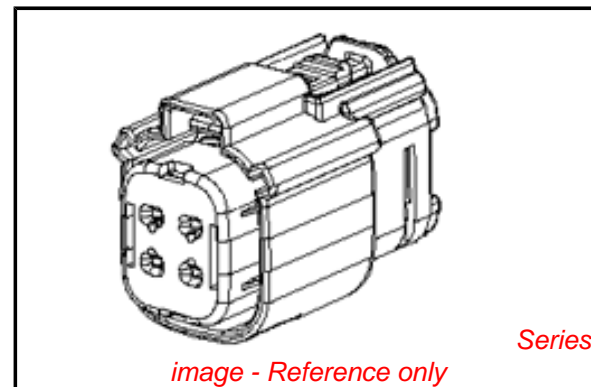


image - Reference only

EU RoHS

ELV and RoHS Compliant
REACH SVHC
 Not Reviewed
Halogen-Free Status
 Not Reviewed

China RoHS



Need more information on product environmental compliance?

Email productcompliance@molex.com
 For a multiple part number RoHS Certificate of Compliance, [click here](#)

Please visit the [Contact Us](#) section for any non-product compliance questions.

Search Parts in this Series

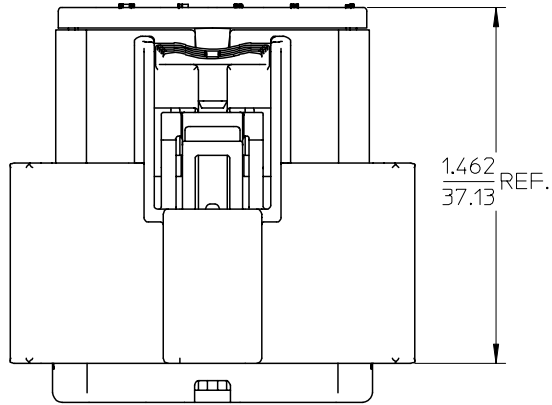
19418Series

Mates With

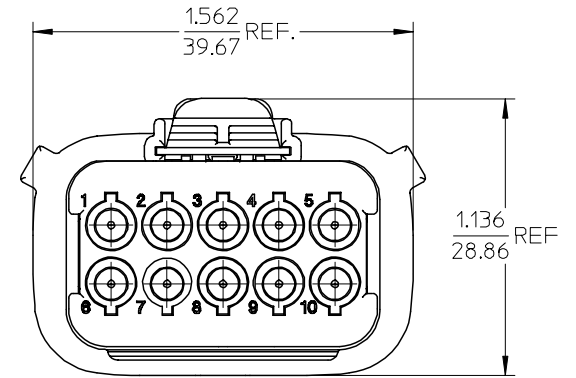
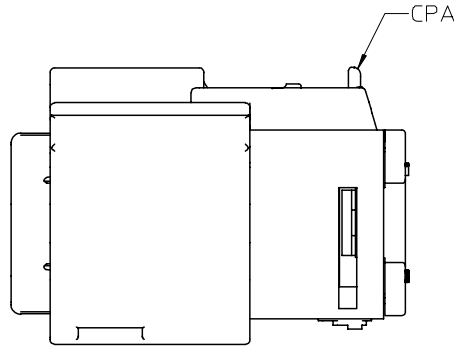
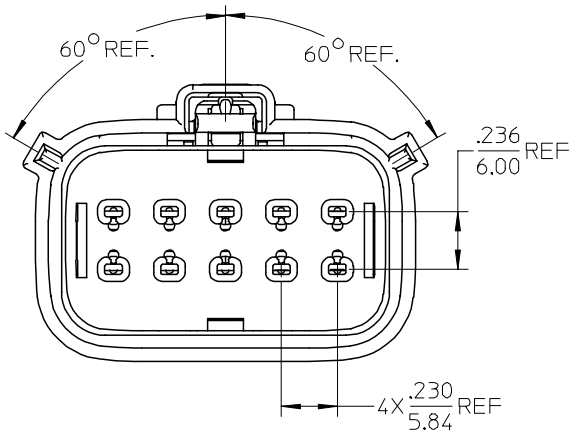
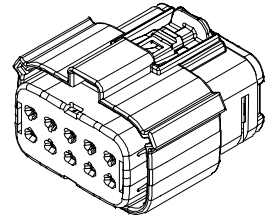
19419 , 19429

Use With

19420 Female Crimp Terminal



19418-0025	16-14	NO
19418-0024	22-18	
19418-0013	16-14	YES
19418-0014	22-18	
MATERIAL NUMBER	UL WIRE AWG	CPA



NOTES:

1. MATERIALS:
HOUSING: POLYESTER (PBT), GLASS FILLED, UL94 V-0, COLOR: BLACK.
SEALS: SILICONE RUBBER.
2. PRODUCT SPECIFICATION: PS-19417-001.
3. PACKAGING SPECIFICATION: PK-19418-001.
4. MATES WITH: 19419 SERIES PLUG ASSEMBLIES.
5. USE CONNECTOR WITH FEMALE CRIMP TERMINAL SERIES 19420.

REVISED EC NO: ETC2006-0164 DRWN: JPWLCK 2006/01/12 CHKD: JPWLCK 2006/01/12 APPR: RDEROSS 2006/01/13	DESCRIPTION B1	QUALITY SYMBOLS	GENERAL TOLERANCES (UNLESS SPECIFIED)	DIMENSION STYLE	SCALE	DESIGN UNITS	THIRD ANGLE PROJECTION															
		▽=0 ▽=0	<table border="1"> <thead> <tr> <th></th> <th>mm</th> <th>INCH</th> </tr> </thead> <tbody> <tr> <td>4 PLACES</td> <td>± ---</td> <td>± ---</td> </tr> <tr> <td>3 PLACES</td> <td>± ---</td> <td>± .015</td> </tr> <tr> <td>2 PLACES</td> <td>± 0.38</td> <td>± ---</td> </tr> <tr> <td>1 PLACE</td> <td>± ---</td> <td>± ---</td> </tr> </tbody> </table> ANGULAR ± 1 °		mm	INCH	4 PLACES	± ---	± ---	3 PLACES	± ---	± .015	2 PLACES	± 0.38	± ---	1 PLACE	± ---	± ---	IN/MM DRAWN BY: BRUPERT DATE: 01/22/03 CHECKED BY: JPWLCK DATE: 01/23/03 APPROVED BY: RDEROSS DATE: 01/25/03	2:1	INCH	TITLE: 10 WAY RECEPTACLE ASSEMBLY, KEY A POLARIZATION MOLEX INCORPORATED
			mm	INCH																		
		4 PLACES	± ---	± ---																		
3 PLACES	± ---	± .015																				
2 PLACES	± 0.38	± ---																				
1 PLACE	± ---	± ---																				
DRAFT WHERE APPLICABLE MUST REMAIN WITHIN DIMENSIONS		MATERIAL NO. SEE CHART	DOCUMENT NO. SD-19418-005	SHEET NO. 1 OF 1																		
		THIS DRAWING CONTAINS INFORMATION THAT IS PROPRIETARY TO MOLEX INCORPORATED AND SHOULD NOT BE USED WITHOUT WRITTEN PERMISSION																				