

PLEASE CHECK WWW.MOLEX.COM FOR LATEST PART INFORMATION

Part Number: [0780011344](#)
Status: **Active**
Description: 0.60mm (.024") Pitch miniDIMM DDR3 Socket, Surface Mount, Reverse Right Angle, with Off-White Latches, 1.5V Voltage Key, 244 Circuits, Type A Tray Packaging, Lead-free

Documents:

[3D Model](#) [Product Specification PS-78001-001 \(PDF\)](#)
[Drawing \(PDF\)](#) [RoHS Certificate of Compliance \(PDF\)](#)

General

| | |
|----------------|--------------------------------|
| Product Family | Memory Module Sockets |
| Series | 78001 |
| Comments | Latches in Off-White Color |
| Component Type | Socket |
| JEDEC Outline | MO-244 |
| Product Name | MiniDIMM |

Physical

| | |
|--------------------------------|--------------------------------|
| Circuits (Loaded) | 244 |
| Color - Resin | Black, Natural (White) |
| Durability (mating cycles max) | 25 |
| Entry Angle | 90° Angle (Side Entry) |
| Keying to Mating Part | Yes |
| Material - Metal | Copper Alloy |
| Material - Plating Mating | Gold |
| Material - Plating Termination | Tin |
| Material - Resin | High Temperature Thermoplastic |
| PCB Locator | Yes |
| PCB Retention | Yes |
| Packaging Type | Tray |
| Pitch - Mating Interface (in) | 0.024 In |
| Pitch - Mating Interface (mm) | 0.60 mm |
| Plating min: Mating (µin) | 30.4 |
| Plating min: Mating (µm) | 0.76 |
| Plating min: Termination (µin) | 101.6 |
| Plating min: Termination (µm) | 2.54 |
| Temperature Range - Operating | -55°C to +85°C |
| Termination Interface: Style | Surface Mount |

Electrical

| | |
|-------------------------------|------|
| Current - Maximum per Contact | 1A |
| Voltage - Maximum | 30V |
| Voltage Key | 1.5V |

Solder Process Data

| | |
|--|---------------------------|
| Duration at Max. Process Temperature (seconds) | 5 |
| Lead-free Process Capability | Reflow Capable (SMT only) |
| Max. Cycles at Max. Process Temperature | 2 |
| Process Temperature max. C | 260 |

Material Info

Reference - Drawing Numbers

| | |
|-----------------------|--------------|
| Product Specification | PS-78001-001 |
| Sales Drawing | SD-78001-003 |

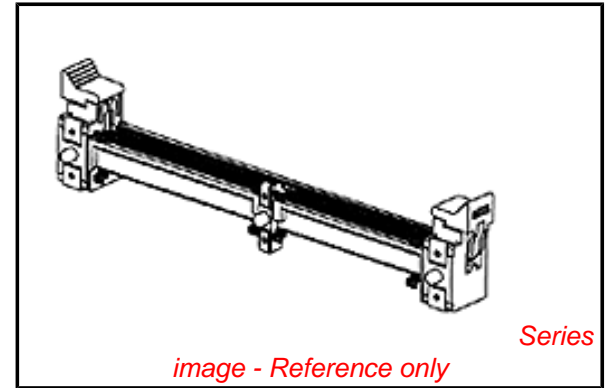


image - Reference only

EU RoHS

**ELV and RoHS
Compliant**
REACH SVHC
 Not Reviewed
**Halogen-Free
Status**

China RoHS



Not Reviewed

**Need more information on product
environmental compliance?**

Email productcompliance@molex.com
 For a multiple part number RoHS Certificate of Compliance, [click here](#)

Please visit the [Contact Us](#) section for any non-product compliance questions.

Search Parts in this Series

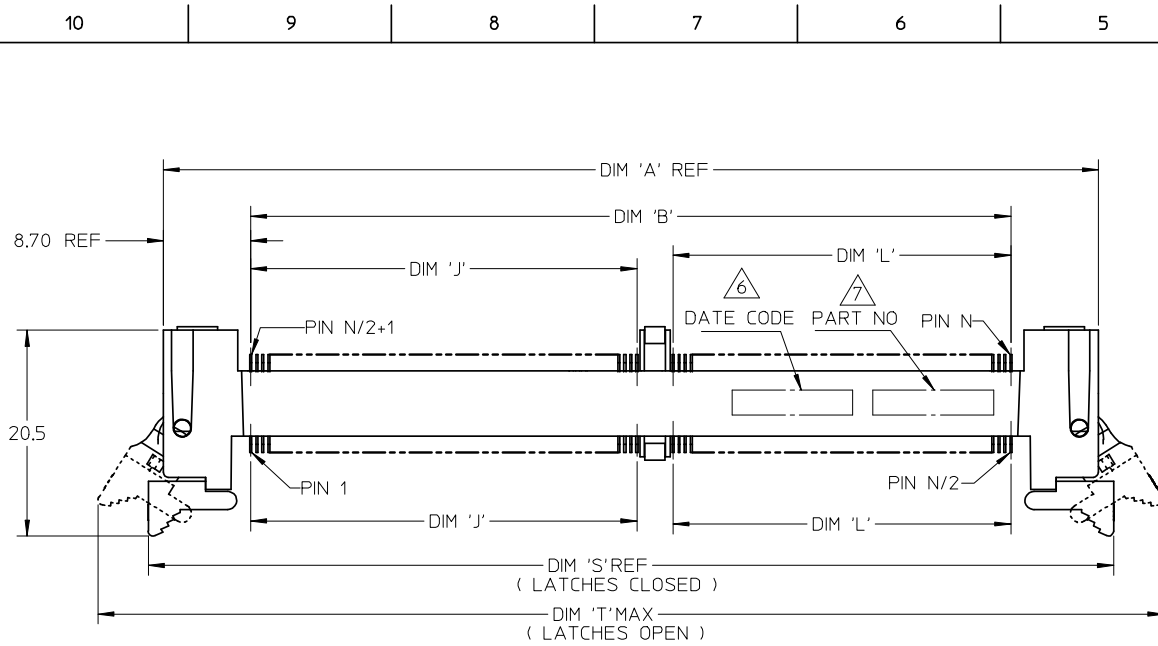
[78001Series](#)

Mates With

[JEDEC MO-258 modules](#)

This document was generated on 04/07/2010

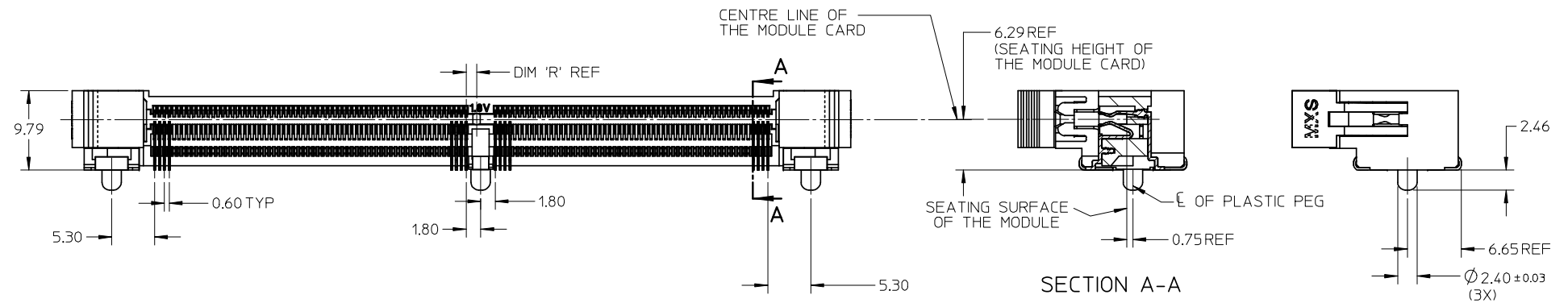
PLEASE CHECK WWW.MOLEX.COM FOR LATEST PART INFORMATION



NOTES :

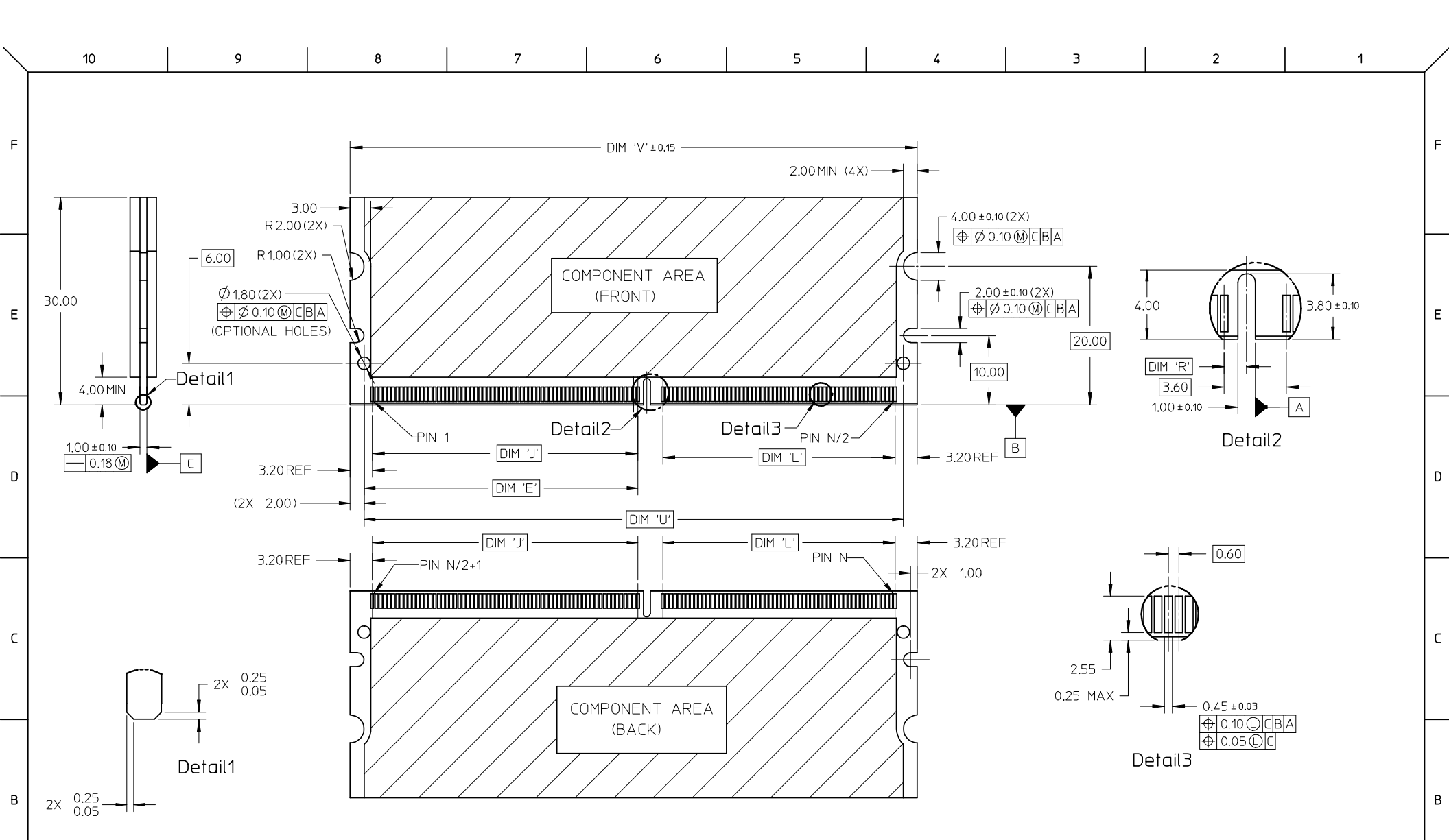
- MATERIAL :
HOUSING : HIGH TEMPERATURE LIQUID CRYSTAL POLYMER, UL94V-0
COLOUR : BLACK
CONTACTS : COPPER ALLOY
LATCHES : HIGH TEMPERATURE NYLON, UL94V-0,
COLOUR : NATURAL (OFF-WHITE)
- FINISH :
CONTACT AREA : 0.76 MICROMETER (30 MICROINCH) MIN GOLD OVER
1.25 MICROMETER (50 MICROINCH) MIN NICKEL
SOLDER LEADS : 2.54 MICROMETER (100 MICROINCH) MIN TIN OVER
1.25MICROMETER (50 MICROINCH) MIN NICKEL
- ACCEPTS 1.0 mm THICK MEMORY MODULE PER JEDEC MO-244
FOR 244 CKTS AND MO-258 FOR 200 CKTS.
- PRODUCT SPECIFICATION : PS-78001-001
- PRODUCT SHALL BE PACKED IN TRAY. PLS REFER TO SHEET 4.

- . DATE CODE SHALL BE MARKED LEGIBLY AS SHOWN :YYDDD
- . PART NUMBER SHALL BE MARKED LEGIBLY AS SHOWN.
78001-XXXX (REFER TO TABLE)



SECTION A-A

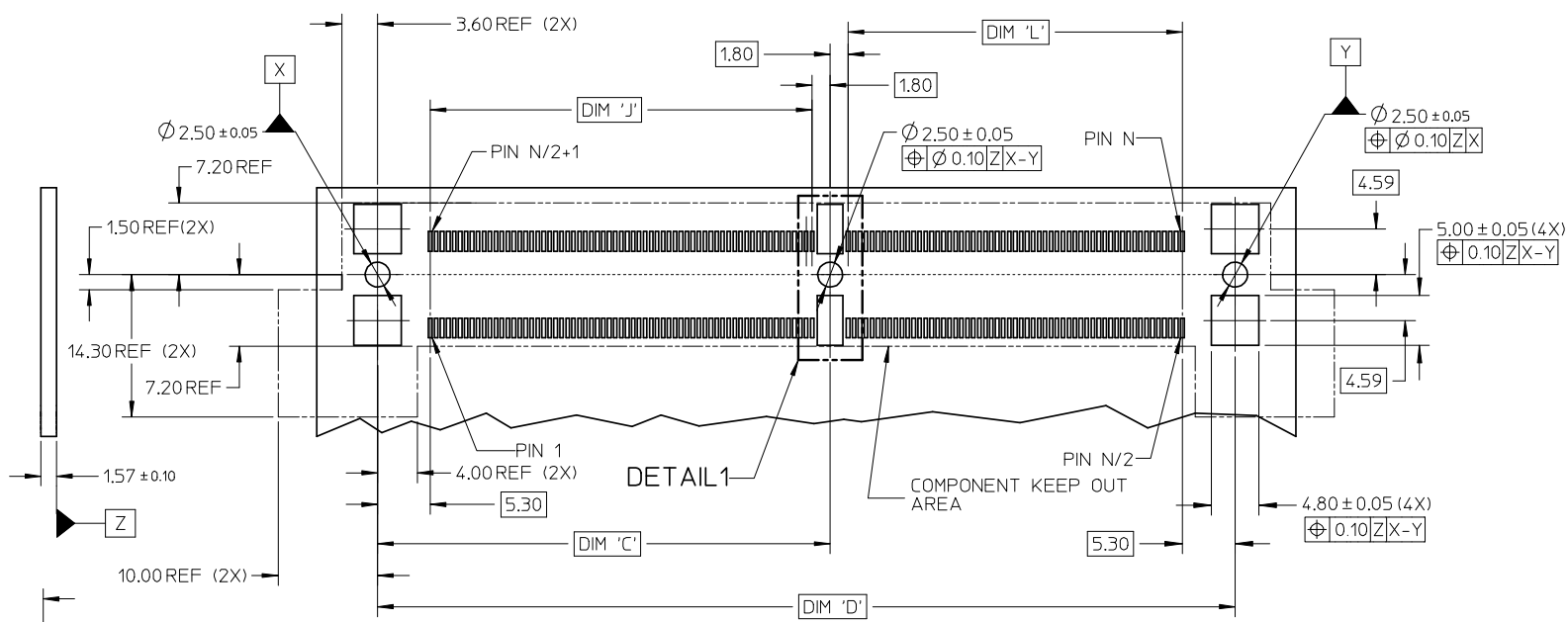
| | | | | | | | | |
|---|--|--------------------|-----------------|--|--|---|--|------------------------|
| ADD DDR3 OPTION IEC NO: S2008-1057 DRW:CMTEO CHKD:CGTAN APPR:SHLENI | 2008/06/20 2008/06/20 2008/06/23 | DESCRIPTION REV | QUALITY SYMBOLS | GENERAL TOLERANCES (UNLESS SPECIFIED) mm INCH 4 PLACES ± --- ± --- 3 PLACES ± --- ± --- 2 PLACES ± 0.13 ± --- 1 PLACE ± 0.25 ± --- ANGULAR ± 1 ° DRAFT WHERE APPLICABLE MUST REMAIN WITHIN DIMENSIONS | DIMENSION STYLE | SCALE | DESIGN UNITS | THIRD ANGLE PROJECTION |
| | | | | | MM ONLY | NTS | METRIC | |
| | | | | | | | | |
| | | | | | | | | |
| | | | | | DRAWN BY DATE SHLENI 2005/03/14 CHECKED BY DATE MLONG 2005/03/31 APPROVED BY DATE GGLEE 2005/03/31 MATERIAL NO. SEE TABLE | TITLE MINI DIMM, 0.60MM PITCH 200/244 CKTS REVERSE R/A | MOLEX INCORPORATED DOCUMENT NO. SD-78001-003 | SHEET NO. 1 OF 4 |



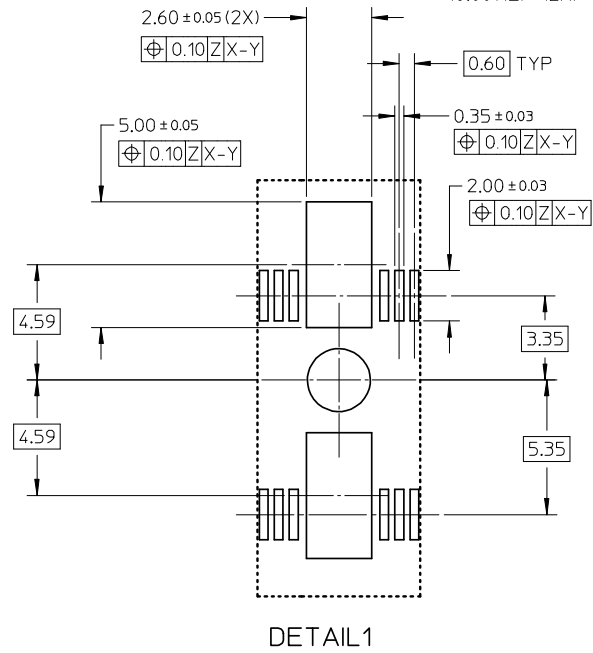
| | | | | | | | | | | |
|---|--------------------------------------|--|---------|--|--------------------|---|------------------------------|------------------------|--|--|
| ADD DDR3 OPTION EC NO: S2008-1057 DRWN:CMTEO 2008/06/20 CHKD:CGTAN 2008/06/20 APPR:SHLENI 2008/06/23 | QUALITY SYMBOLS ▽=0 ◻=0 | GENERAL TOLERANCES (UNLESS SPECIFIED) | | DIMENSION STYLE MM ONLY | | SCALE NTS | DESIGN UNITS METRIC | THIRD ANGLE PROJECTION | | |
| | | 4 PLACES ± --- ± --- | mm INCH | DRAWN BY SHLENI | DATE 2005/03/14 | TITLE MINI DIMM, 0.60MM PITCH 200/244 CKTS REVERSE R/A | | | | |
| | | 3 PLACES ± --- ± --- | | CHECKED BY MLONG | DATE 2005/03/31 | MOLEX INCORPORATED | | | | |
| | | 2 PLACES ± 0.13 ± --- 1 PLACE ± 0.25 ± --- | | APPROVED BY GGLEE | DATE 2005/03/31 | MATERIAL NO. SEE TABLE | DOCUMENT NO. SD-78001-003 | SHEET NO. 2 OF 4 | | |
| B1 | REV | DRAFT WHERE APPLICABLE MUST REMAIN WITHIN DIMENSIONS | | THIS DRAWING CONTAINS INFORMATION THAT IS PROPRIETARY TO MOLEX INCORPORATED AND SHOULD NOT BE USED WITHOUT WRITTEN PERMISSION | | | | | | |

10 9 8 7 6 5 4 3 2 1

F
E
D
C
B
A



RECOMMENDED PCB LAYOUT



DETAIL 1

| | | | | | |
|--|--|--|--|--|---|
| ADD DDR3 OPTION EC NO: S2008-1057 DRWN:CMTEO 2008/06/20 CHKD:CGTAN 2008/06/20 APPR:SHLENI 2008/06/23 | QUALITY SYMBOLS ▽=0 ◻=0 | GENERAL TOLERANCES (UNLESS SPECIFIED) mm INCH 4 PLACES ± --- ± --- 3 PLACES ± --- ± --- 2 PLACES ± 0.13 ± --- 1 PLACE ± 0.25 ± --- ANGULAR ± 1 ° | DIMENSION STYLE MM ONLY DRAWN BY SHLENI DATE 2005/03/14 CHECKED BY MLONG DATE 2005/03/31 APPROVED BY GGLEE DATE 2005/03/31 MATERIAL NO. SEE TABLE | SCALE NTS DESIGN UNITS METRIC THIRD ANGLE PROJECTION | TITLE MINI DIMM, 0.60MM PITCH 200/244 CKTS REVERSE R/A |
| | DRAFT WHERE APPLICABLE MUST REMAIN WITHIN DIMENSIONS | SIZE A3 THIS DRAWING CONTAINS INFORMATION THAT IS PROPRIETARY TO MOLEX INCORPORATED AND SHOULD NOT BE USED WITHOUT WRITTEN PERMISSION | MOLEX MOLEX INCORPORATED DOCUMENT NO. SD-78001-003 | SHEET NO. 3 OF 4 | |

9 8 7 6 5 4 3 2 1

10 9 8 7 6 5 4 3 2 1

F

| ASSEMBLY P/N | CKT SIZE 'N' | MODULE CARD | VOLTAGE KEY | DIM 'R' | DIM 'E' | DIM 'J' | DIM 'L' | DIM 'A' | DIM 'S' | DIM 'T' | DIM 'U' | DIM 'V' | DIM 'C' | DIM 'D' | DIM 'B' | PACKAGING TYPE | |
|--------------|--------------|-------------|-------------|---------|---------|---------|---------|---------|---------|---------|---------|---------|---------|---------|---------|----------------|---|
| 78001-1200 | 200 | DDR2 | 1.8 V | 1.30 | 24.60 | 23.40 | 35.40 | 79.8 | 82.8 | 93.0 | 64.80 | 68.80 | 30.50 | 73.00 | 62.40 | A | |
| 78001-2200 | | DDR | 2.5 V | 2.30 | | | | | | | | | | | | | |
| 78001-1244 | 244 | DDR2 | 1.8 V | 1.30 | 39.60 | 38.40 | 33.60 | 93.0 | 96.0 | 106.2 | 78.00 | 82.00 | 45.50 | 86.20 | 75.60 | | B |
| 78001-1344 | | DDR3 | 1.5 V | 2.30 | | | | | | | | | | | | | |
| 78001-3244 | | DDR2 | 1.8 V | 1.30 | | | | | | | | | | | | | |
| 78001-3344 | | DDR3 | 1.5 V | 2.30 | | | | | | | | | | | | | |

F

E

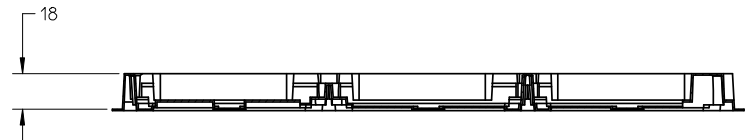
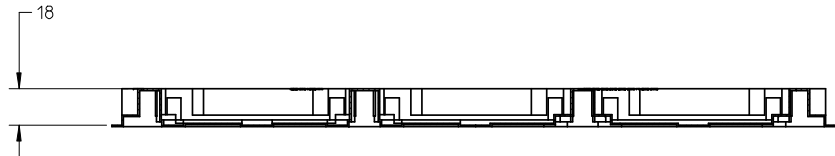
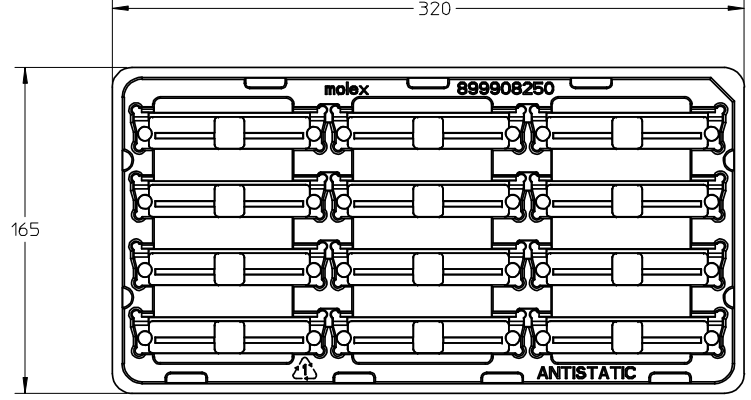
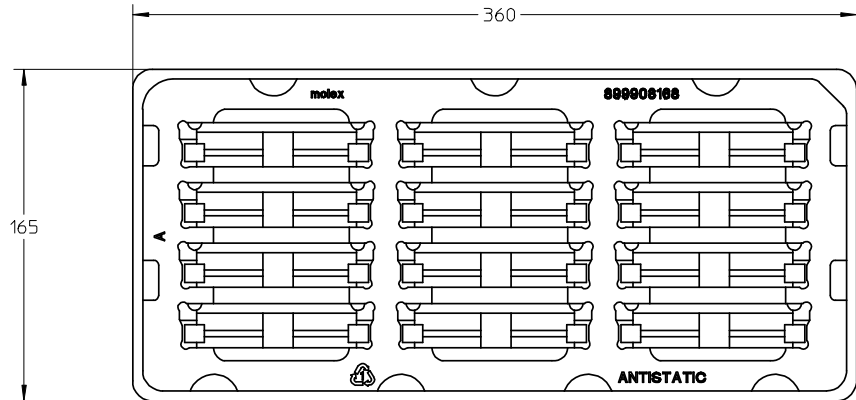
E

D

D

C

C



VIEW OF TYPE A PACKAGING TRAY

VIEW OF TYPE B PACKAGING TRAY

B

B

NOTES:
1. QTY OF CAVITY: 3 X 4 = 12 PCS

| | | |
|---|------------|-------------|
| ADD DDR3 OPTION EC NO: S2008-1057 DRWN:CMTEO CHKD:CGIAN APPR:SHLENI | 2008/06/20 | DESCRIPTION |
| | 2008/06/20 | |
| | 2008/06/20 | |
| | 2008/06/23 | |
| B1 | REV | |

| |
|-----------------|
| QUALITY SYMBOLS |
| ▽=0 |
| ∇=0 |

| GENERAL TOLERANCES (UNLESS SPECIFIED) | |
|--|-------|
| mm | INCH |
| 4 PLACES ± --- | ± --- |
| 3 PLACES ± --- | ± --- |
| 2 PLACES ± 0.13 | ± --- |
| 1 PLACE ± 0.25 | ± --- |
| ANGULAR ± 1 ° | |
| DRAFT WHERE APPLICABLE MUST REMAIN WITHIN DIMENSIONS | |

| DIMENSION STYLE MM ONLY | |
|-------------------------|------------|
| DRAWN BY | DATE |
| SHLENI | 2005/03/14 |
| CHECKED BY | DATE |
| MLONG | 2005/03/31 |
| APPROVED BY | DATE |
| GGLLEE | 2005/03/31 |
| MATERIAL NO. | |
| SEE TABLE | |
| SIZE | A3 |

| | | |
|---|---------------------|------------------------|
| SCALE NTS | DESIGN UNITS METRIC | THIRD ANGLE PROJECTION |
| TITLE | | |
| MINI DIMM, 0.60MM PITCH | | |
| 200/244 CKTS | | |
| REVERSE R/A | | |
| MOLEX INCORPORATED | | |
| DOCUMENT NO. | SHEET NO. | |
| SD-78001-003 | 4 OF 4 | |
| THIS DRAWING CONTAINS INFORMATION THAT IS PROPRIETARY TO MOLEX INCORPORATED AND SHOULD NOT BE USED WITHOUT WRITTEN PERMISSION | | |

A

9 8 7 6 5 4 3 2 1